



US00D748223S

(12) **United States Design Patent**
Williams

(10) **Patent No.:** **US D748,223 S**
(45) **Date of Patent:** **** Jan. 26, 2016**

- (54) **FLUID APPLICATOR**
- (71) Applicant: **Craig A. Williams**, Maumee, OH (US)
- (72) Inventor: **Craig A. Williams**, Maumee, OH (US)
- (73) Assignee: **Designetics, Inc.**, Holland, OH (US)
- (**) Term: **14 Years**
- (21) Appl. No.: **29/496,398**
- (22) Filed: **Jul. 11, 2014**
- (51) **LOC (10) Cl.** **23-01**
- (52) **U.S. Cl.**
USPC **D23/213**
- (58) **Field of Classification Search**
USPC D23/213; 239/601; 401/55, 205, 206,
401/266
See application file for complete search history.

- D708,294 S * 7/2014 Spraw D23/213
- D708,299 S * 7/2014 Williams D23/213
- D708,698 S * 7/2014 Spraw D23/213
- D709,989 S * 7/2014 Spraw D23/213
- D714,905 S * 10/2014 Williams D23/213
- D714,906 S * 10/2014 Williams D23/213
- D714,907 S * 10/2014 Spraw D23/213
- D715,400 S * 10/2014 Spraw D23/213
- D715,897 S * 10/2014 Spraw D23/213

* cited by examiner

Primary Examiner — Robin V Webster
(74) *Attorney, Agent, or Firm* — Donald K. Wedding

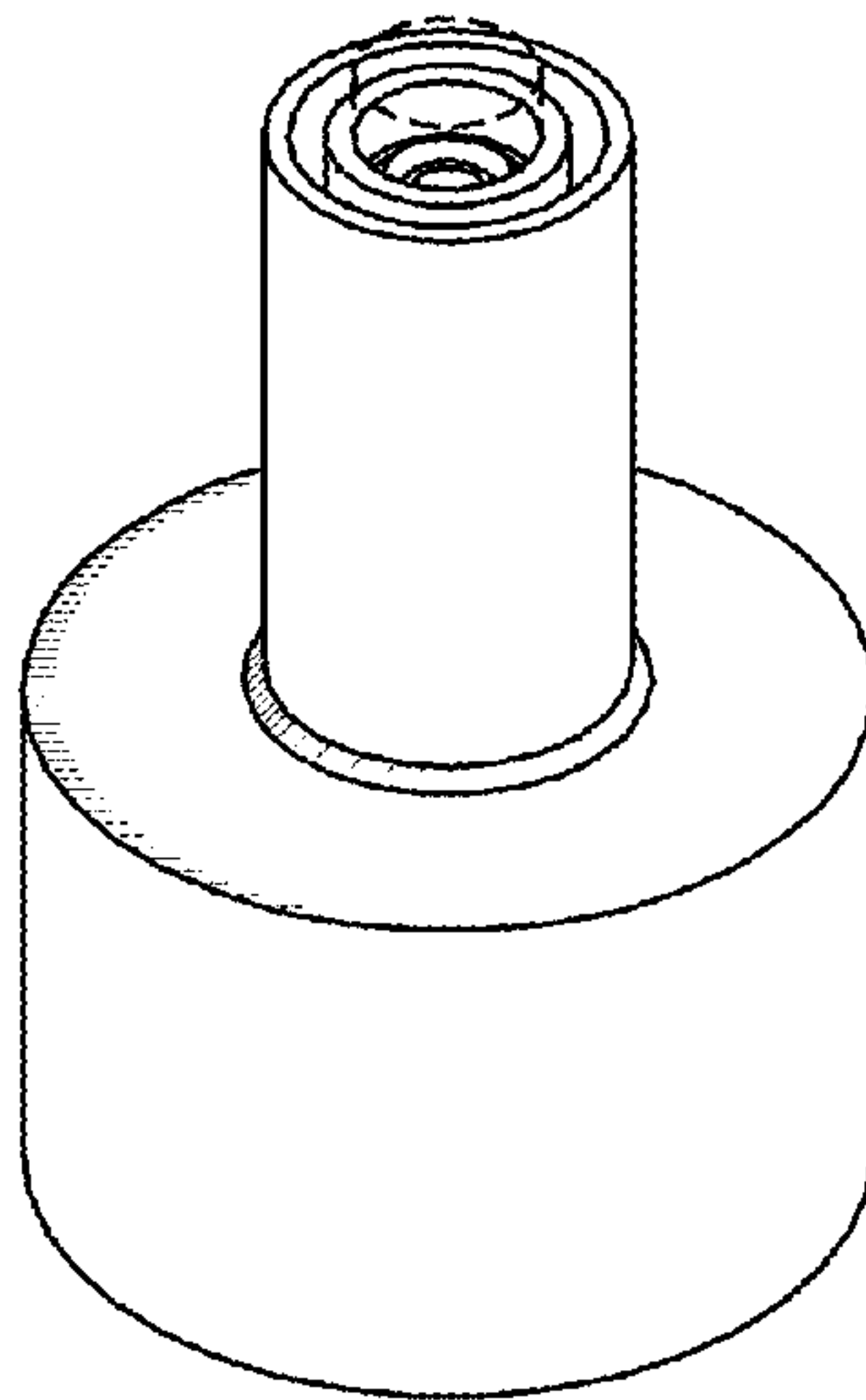
(57) **CLAIM**
The ornamental design for a fluid applicator, as shown and described.

DESCRIPTION

FIG. 1 is a perspective view of our ornamental design for a fluid applicator.
 FIG. 2 is a top view of our design shown in FIG. 1.
 FIG. 3 is a side plan view of our design with the other side plan view being identical.
 FIG. 4 is another side plan view of our design with the other side plan view being identical.
 FIG. 5 is a bottom view of our design shown in FIG. 1.
 FIG. 6 is a section 6-6 view of our design shown in FIG. 1; and,
 FIG. 7 is a section 7-7 view of our design shown in FIG. 1.
 The broken lines in the drawings represent environmental structure only and form no part of the claimed design.
 The fluid applicator is used to apply a fluid to a surface.
 The applicator is open at the distal end straight through up to and including the proximal end.

1 Claim, 3 Drawing Sheets

- (56) **References Cited**
U.S. PATENT DOCUMENTS
- 3,589,820 A * 6/1971 Ward B29C 65/54
401/183
- 5,984,557 A * 11/1999 Fennell B05C 17/00516
401/193
- 6,176,442 B1 * 1/2001 Eicher B05C 1/00
239/591
- 6,547,167 B1 * 4/2003 Fugere B05C 11/10
239/589
- D504,936 S * 5/2005 Yeager D23/213
- D694,853 S * 12/2013 Williams D23/213
- D705,893 S * 5/2014 Williams D23/213
- 8,753,027 B2 * 6/2014 Ballot B43K 5/1845
401/205



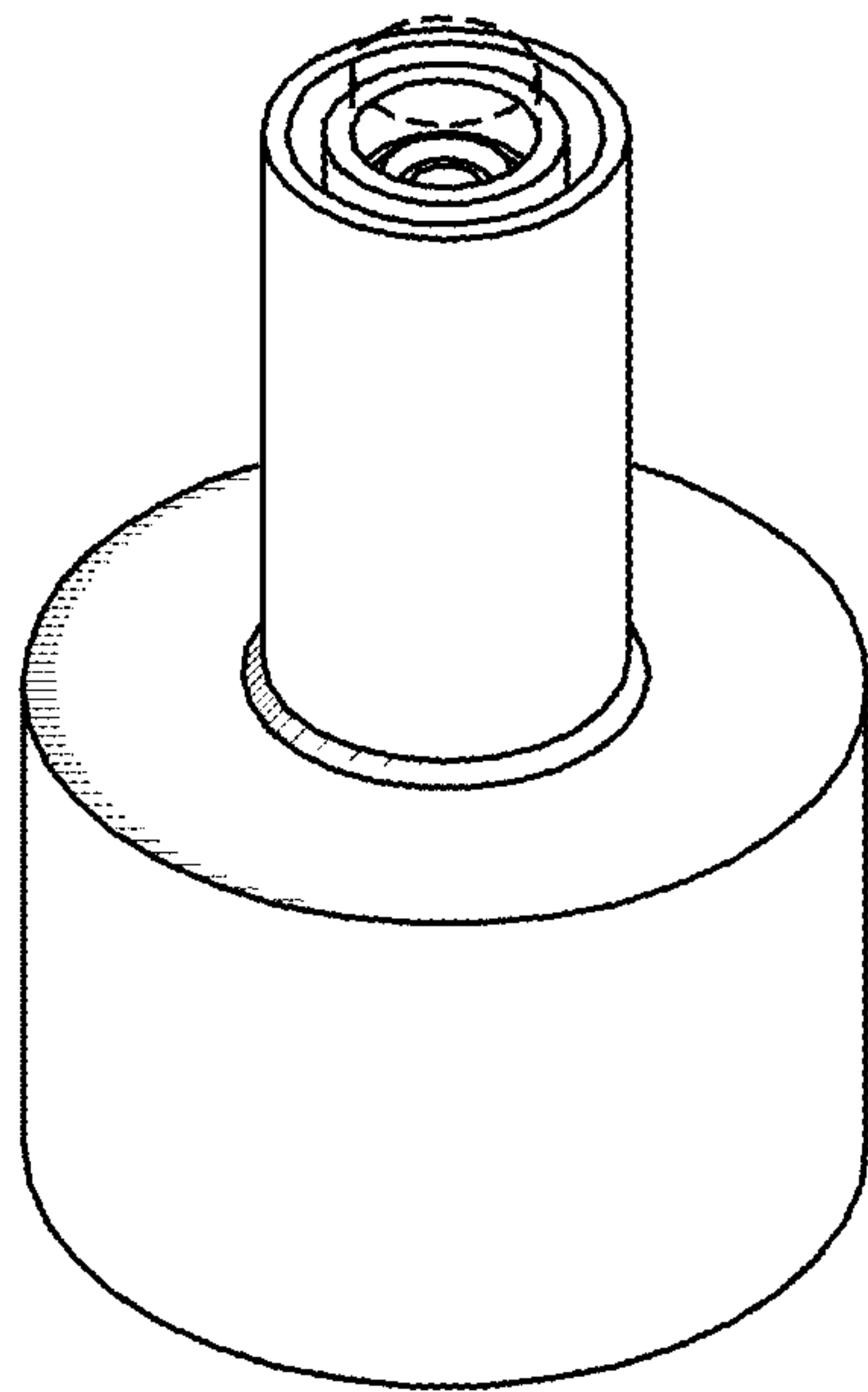


FIG. 1

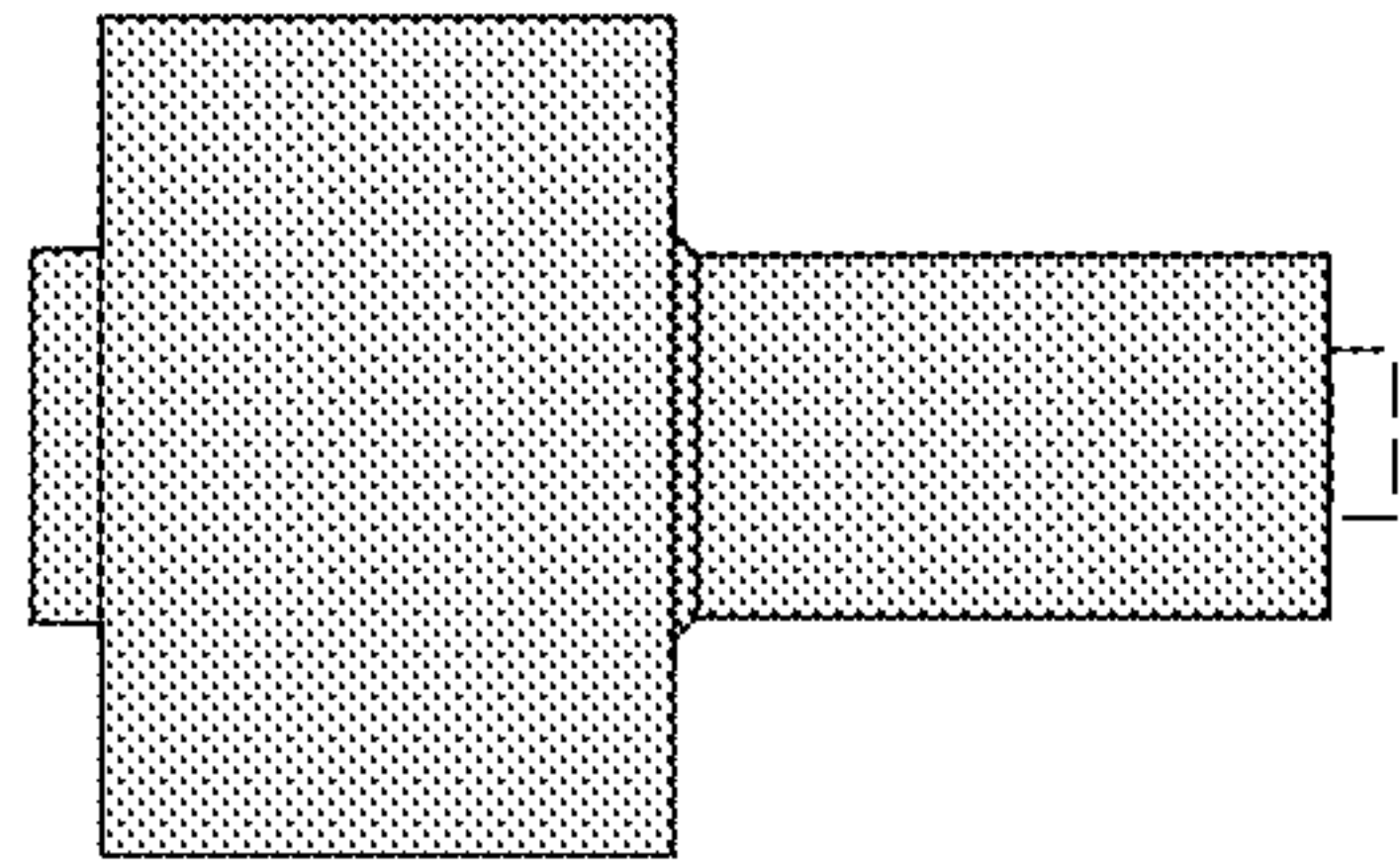


FIG. 3

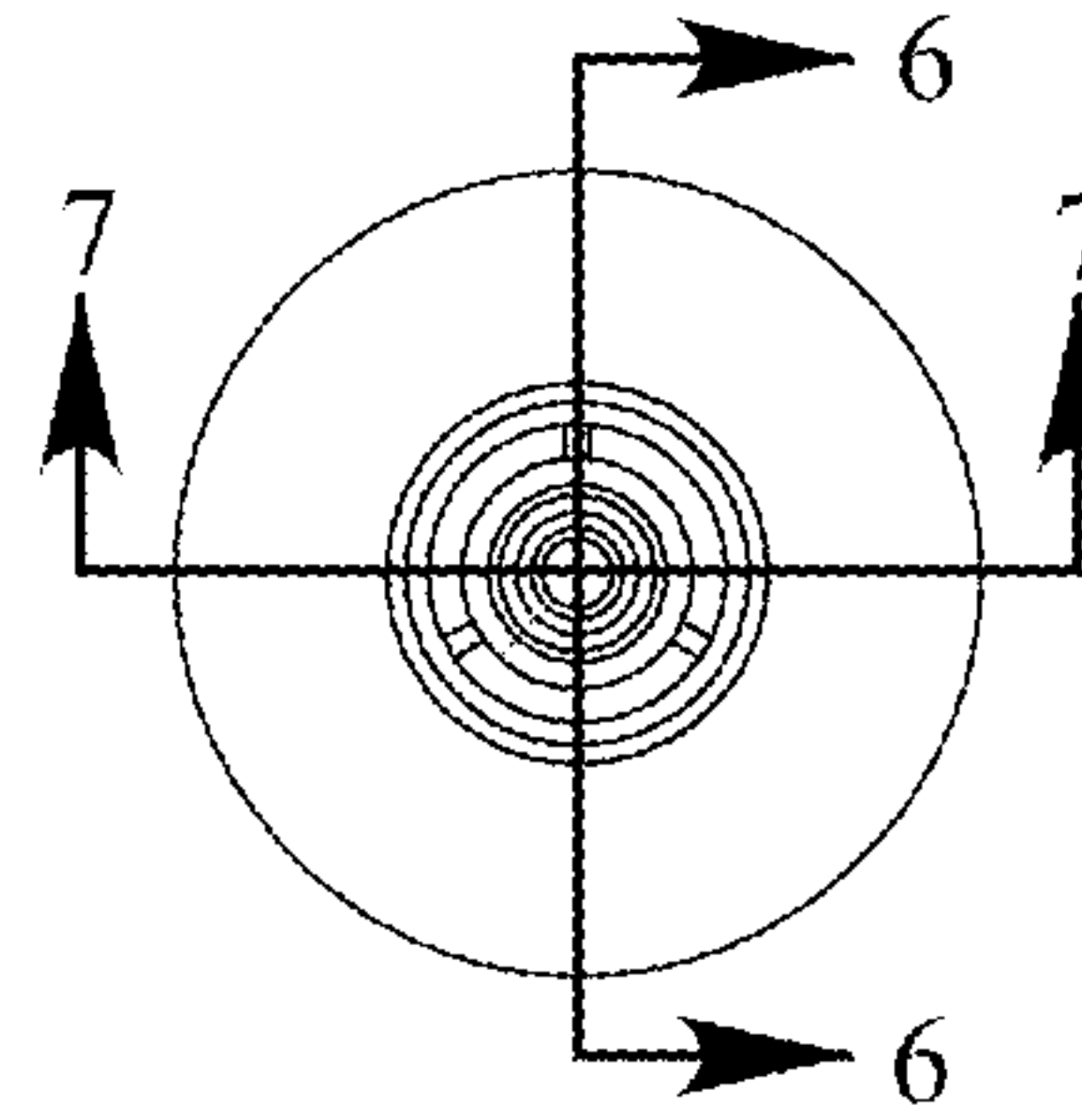


FIG. 2

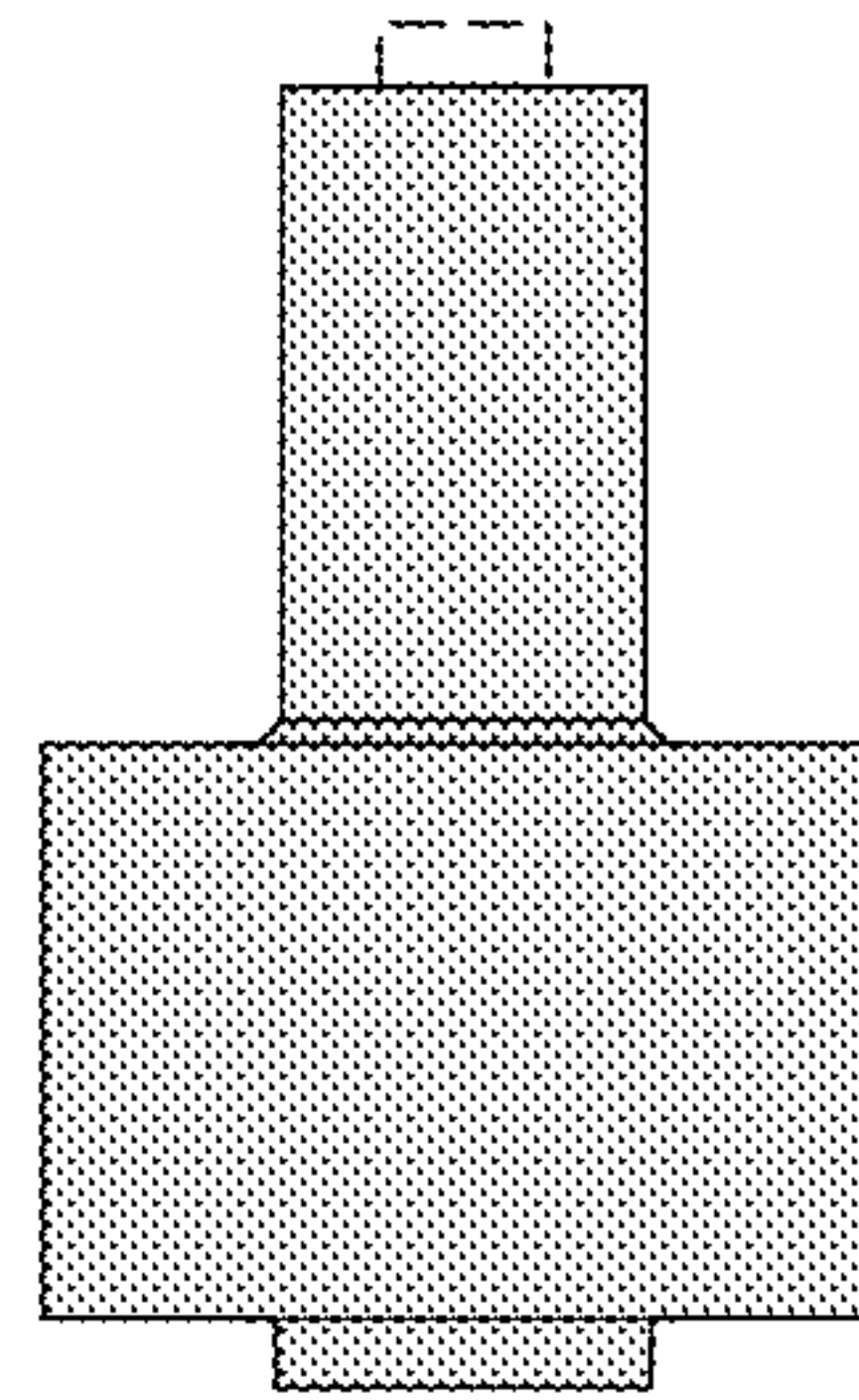


FIG. 4

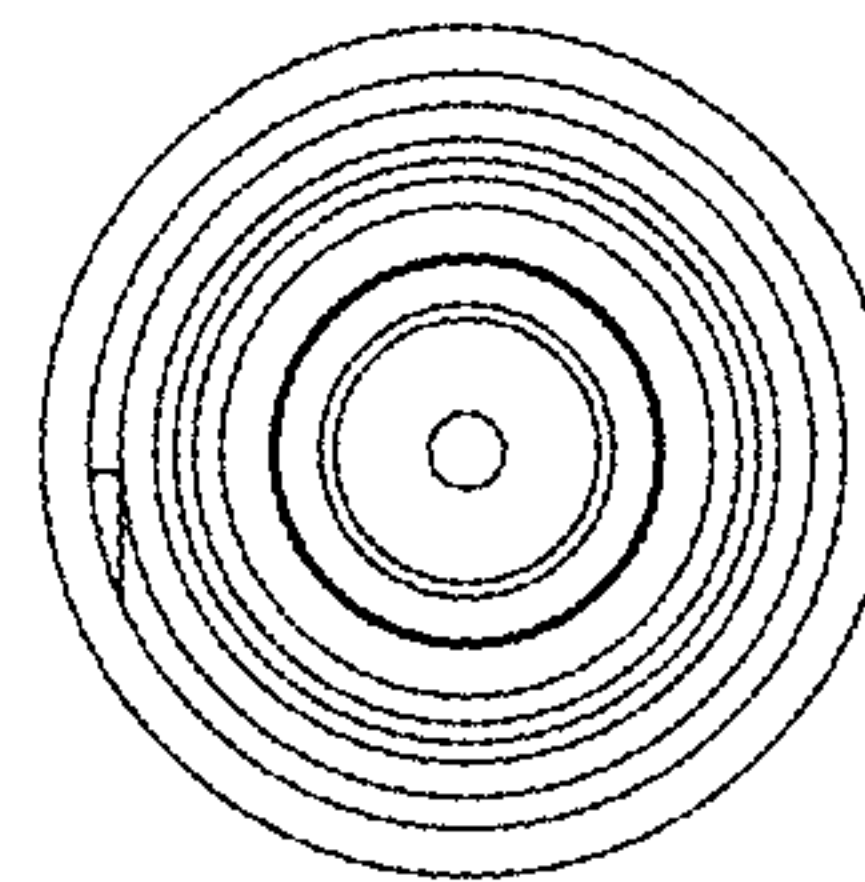


FIG. 5

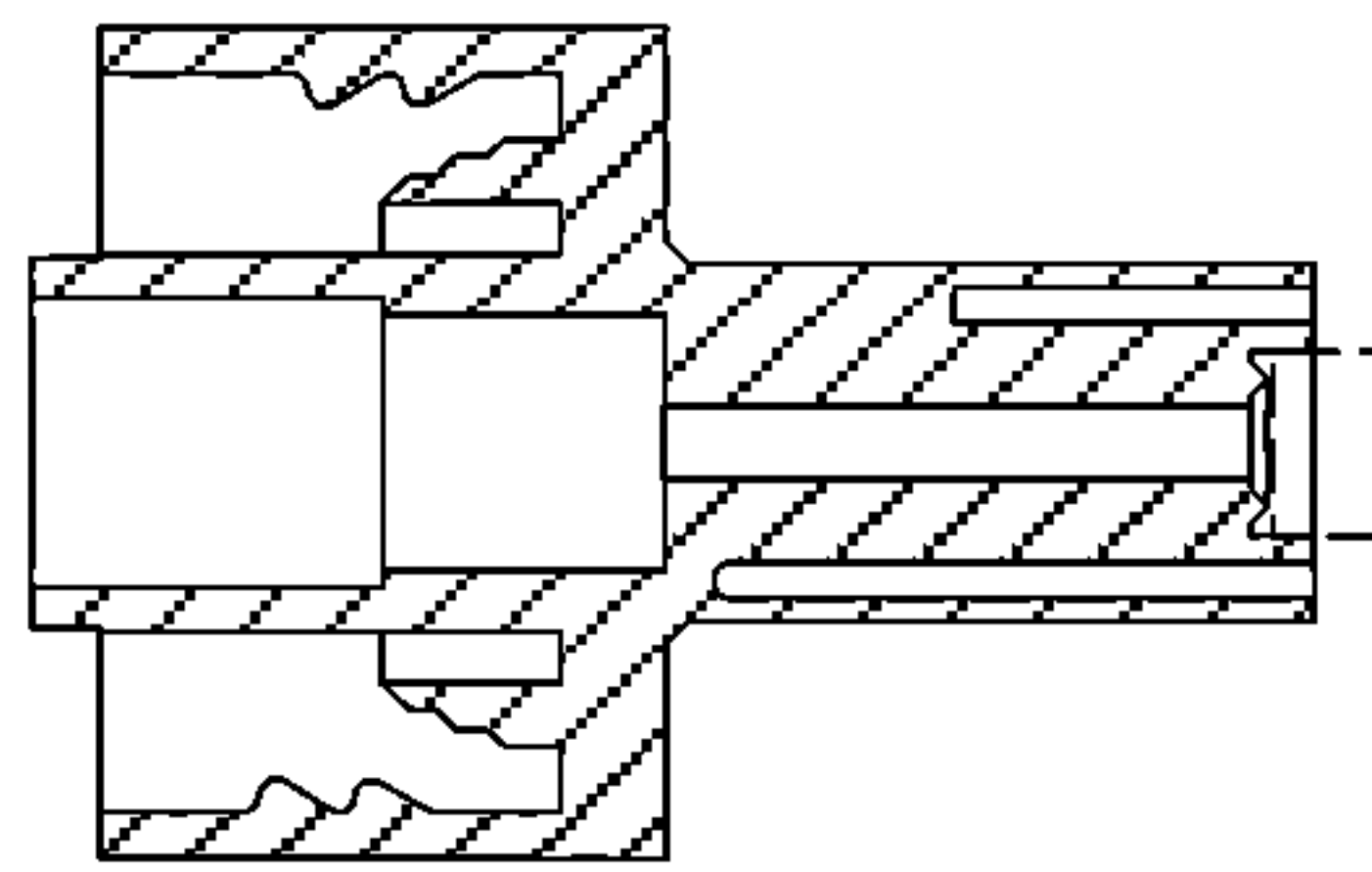


FIG. 6

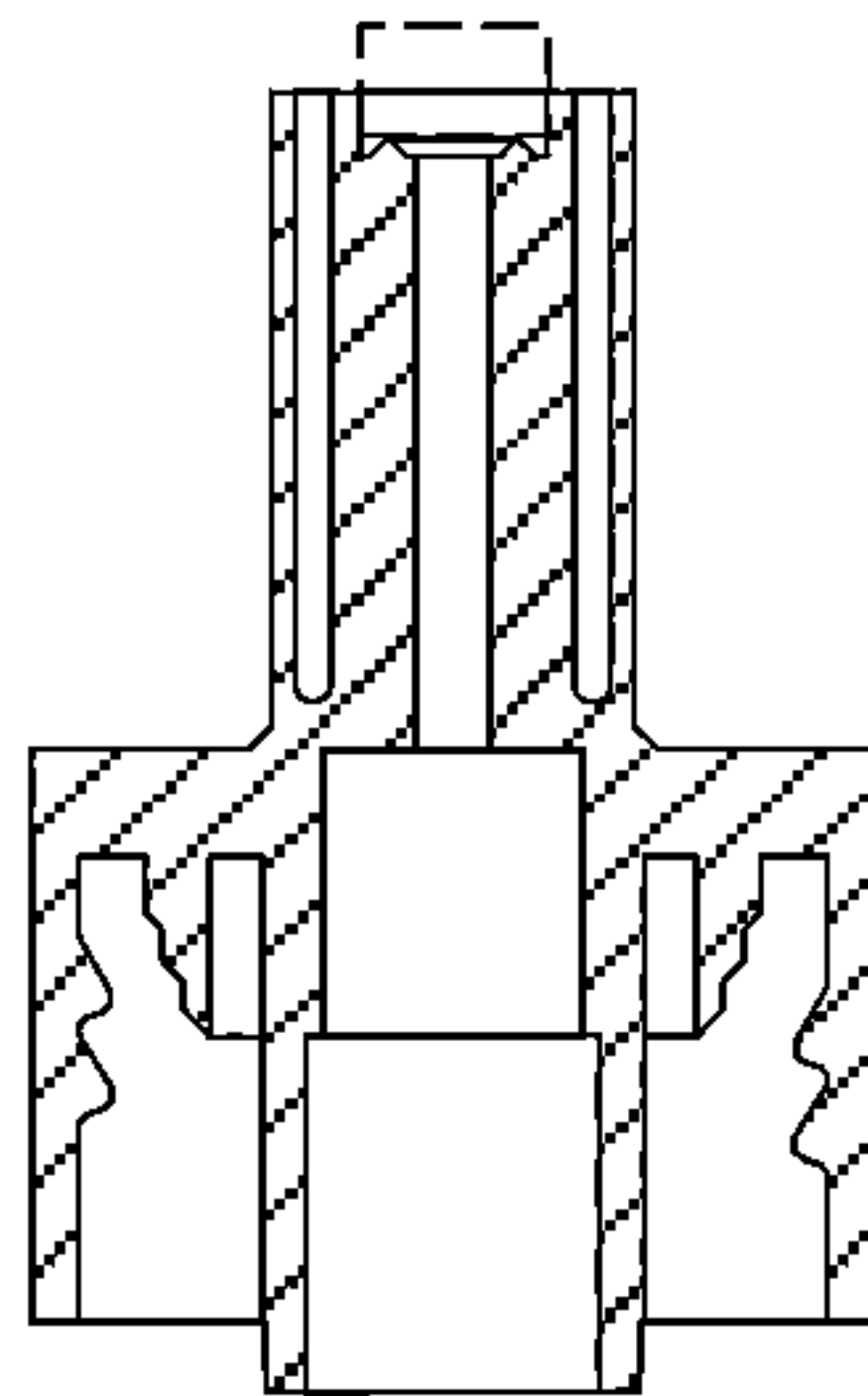


FIG. 7