



US00D748222S

(12) **United States Design Patent**  
**Gerhards**

(10) **Patent No.:** **US D748,222 S**  
(45) **Date of Patent:** **\*\* Jan. 26, 2016**

(54) **FLUSHING SYSTEM FOR WATER CLOSETS**

(71) Applicant: **Henkel AG & Co. KGaA**, Duesseldorf (DE)

(72) Inventor: **Katja Gerhards**, Duesseldorf (DE)

(73) Assignee: **Henkel AG & Co. KGaA**, Duesseldorf (DE)

(\*\*) Term: **14 Years**

(21) Appl. No.: **29/478,848**

(22) Filed: **Jan. 9, 2014**

(30) **Foreign Application Priority Data**

Jul. 12, 2013 (EM) ..... 002273185

(51) **LOC (10) Cl.** ..... **23-01**

(52) **U.S. Cl.**  
USPC ..... **D23/208**

(58) **Field of Classification Search**  
USPC ..... D23/208; 4/231, 223, 225.1, 227.1  
CPC ..... E03D 9/02; E03D 9/03  
See application file for complete search history.

(56) **References Cited**

**U.S. PATENT DOCUMENTS**

4,615,054 A \* 10/1986 Buecheler ..... A47K 17/00  
4/222  
D655,778 S \* 3/2012 Muhlhausen ..... D23/208  
D656,576 S \* 3/2012 Muhlhausen ..... D23/208

D659,793 S \* 5/2012 Muhlhausen ..... D23/208  
8,181,282 B2 \* 5/2012 Butter-Jentsch ..... E03D 9/032  
4/222  
D679,778 S \* 4/2013 Gerhards ..... D23/208  
D689,167 S \* 9/2013 Gerhards ..... D23/208  
D720,428 S \* 12/2014 Wang ..... D23/208

\* cited by examiner

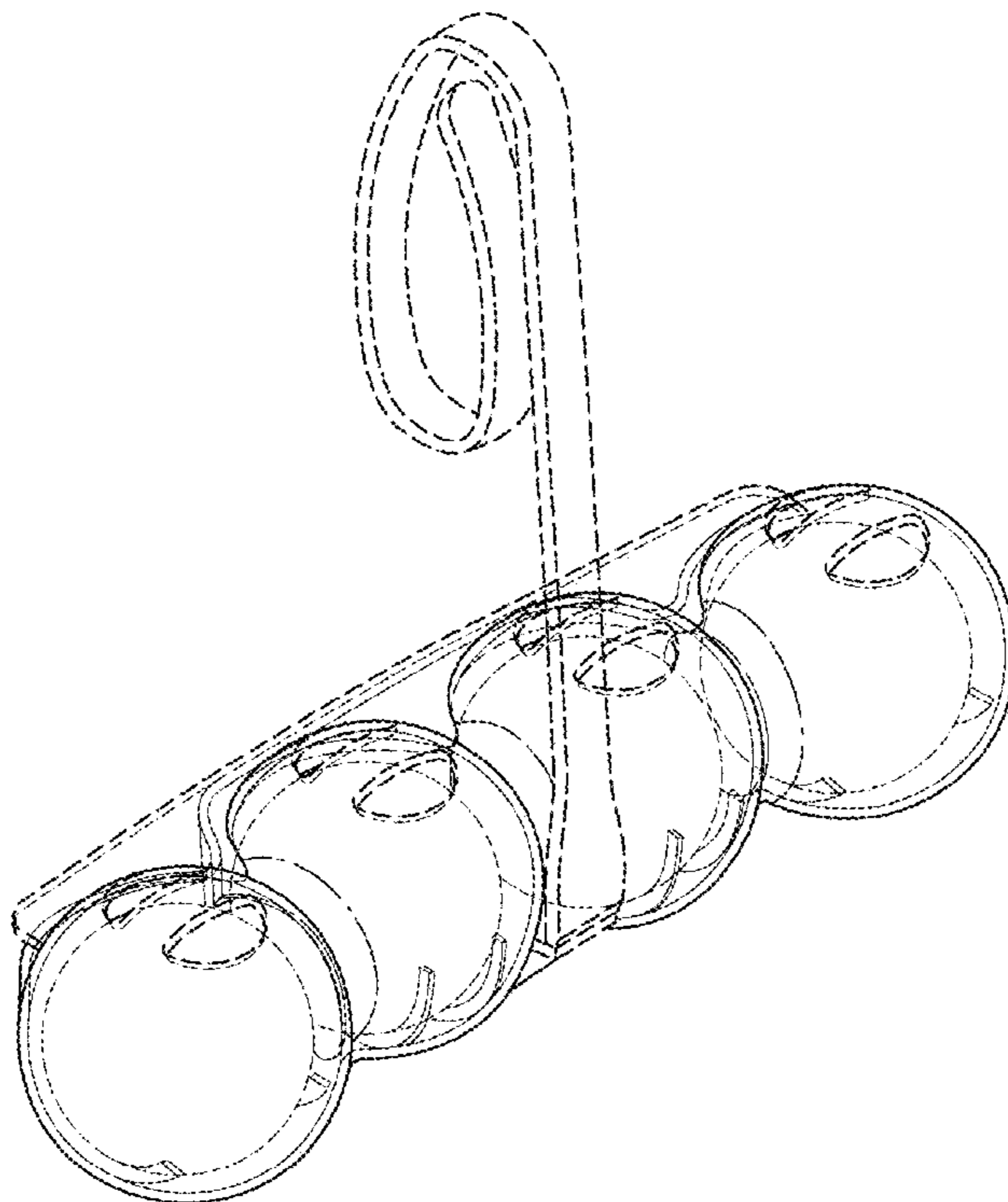
*Primary Examiner* — Robin V Webster  
(74) *Attorney, Agent, or Firm* — Thomas G. Krivulka

(57) **CLAIM**  
The ornamental design for flushing system for water closets, as shown and described.

**DESCRIPTION**

FIG. 1 is a front perspective view of a flushing system for water closets embodying our new design;  
FIG. 2 is a rear side elevation view thereof;  
FIG. 3 is a front side elevation view thereof;  
FIG. 4 is a left side elevation view thereof;  
FIG. 5 is a right side elevation view thereof;  
FIG. 6 is a top plan view thereof;  
FIG. 7 is a bottom plan view thereof; and  
FIG. 8 is a front perspective view of a flushing system for water closets embodying our new design;  
FIG. 9 is a rear side elevation view thereof;  
FIG. 10 is a front side elevation view thereof;  
FIG. 11 is a left side elevation view thereof;  
FIG. 12 is a right side elevation view thereof;  
FIG. 13 is a top plan view thereof; and,  
FIG. 14 is a bottom plan view thereof.  
The broken line showing is included for the purpose of illustrating and forms no part of the claimed design.

**1 Claim, 12 Drawing Sheets**



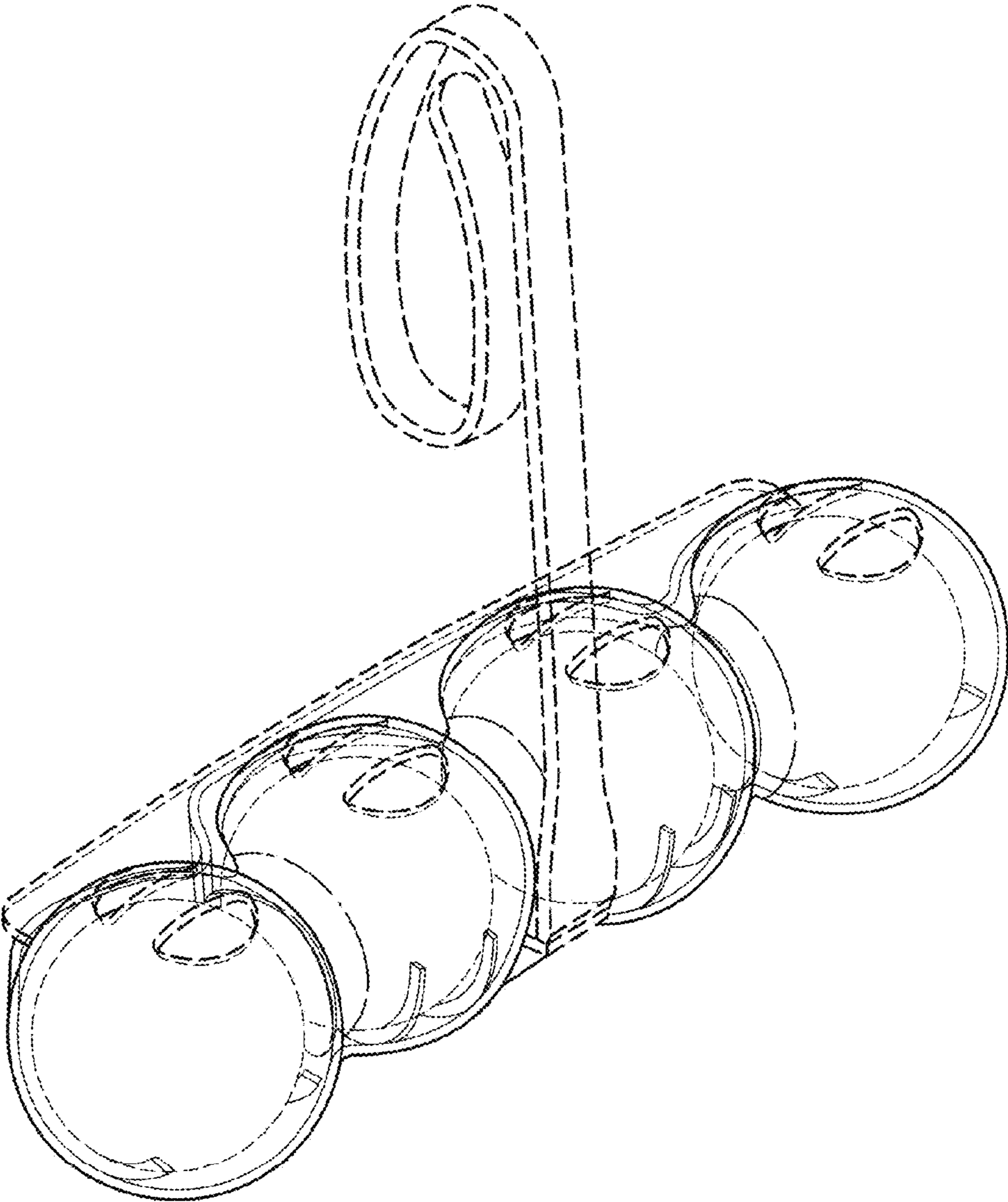


FIG. 1

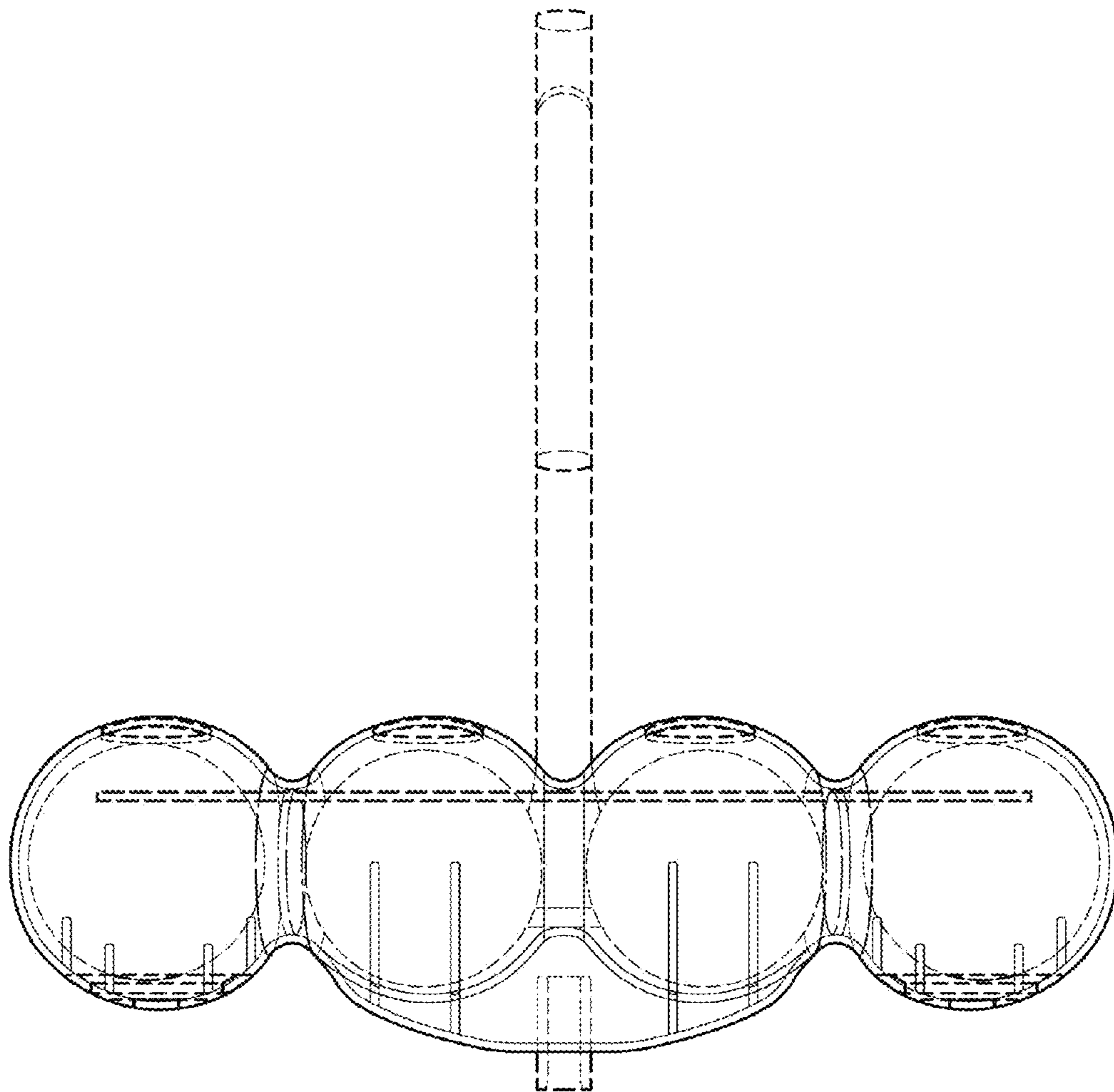


FIG. 2

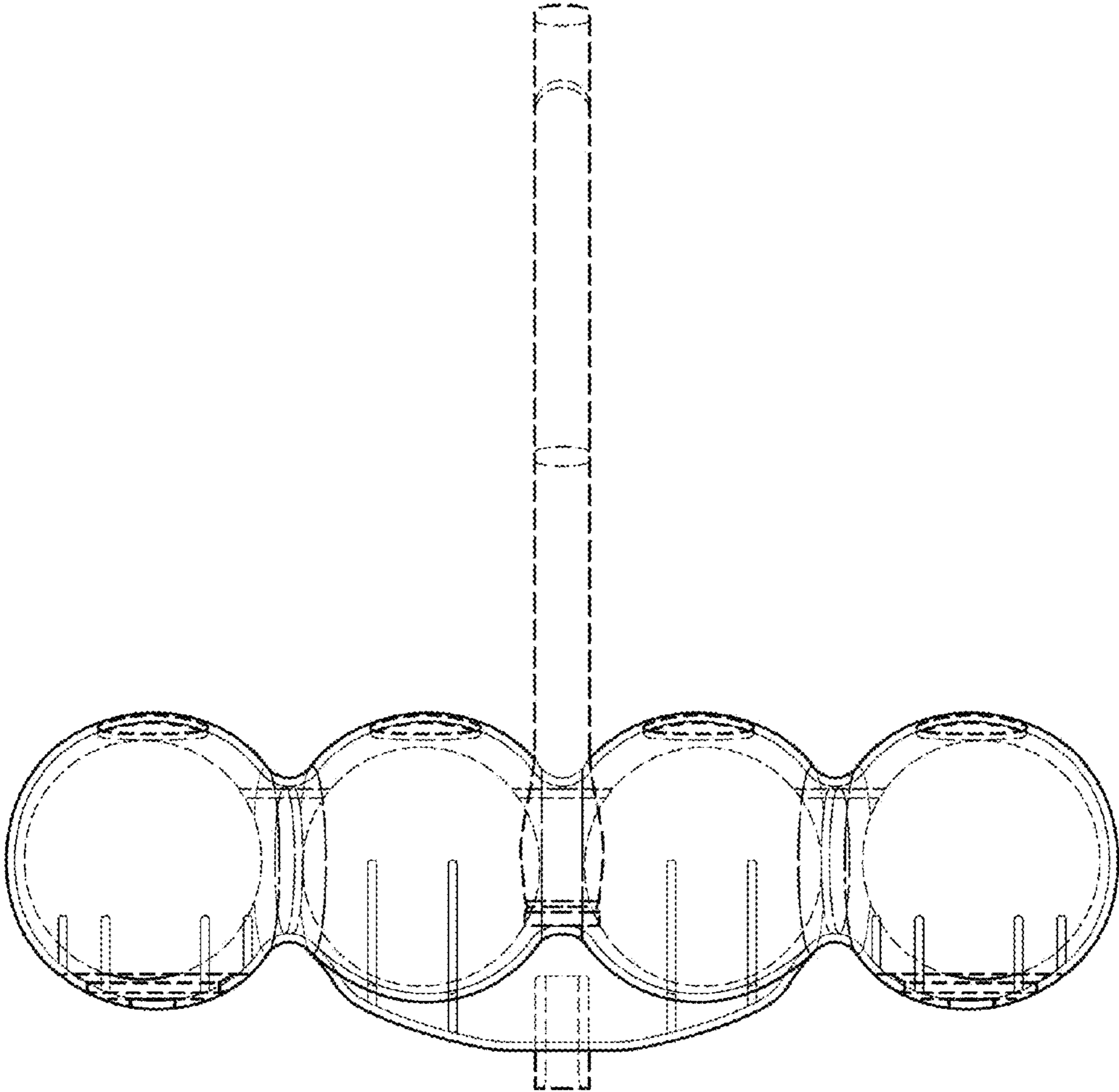


FIG. 3

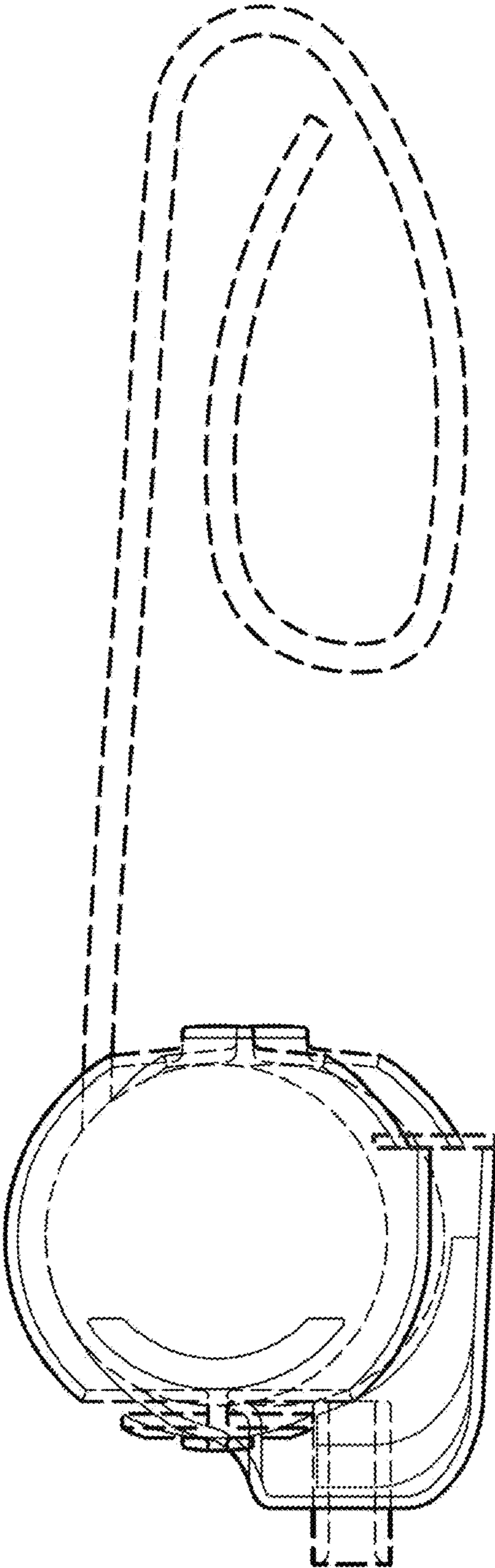


FIG. 4

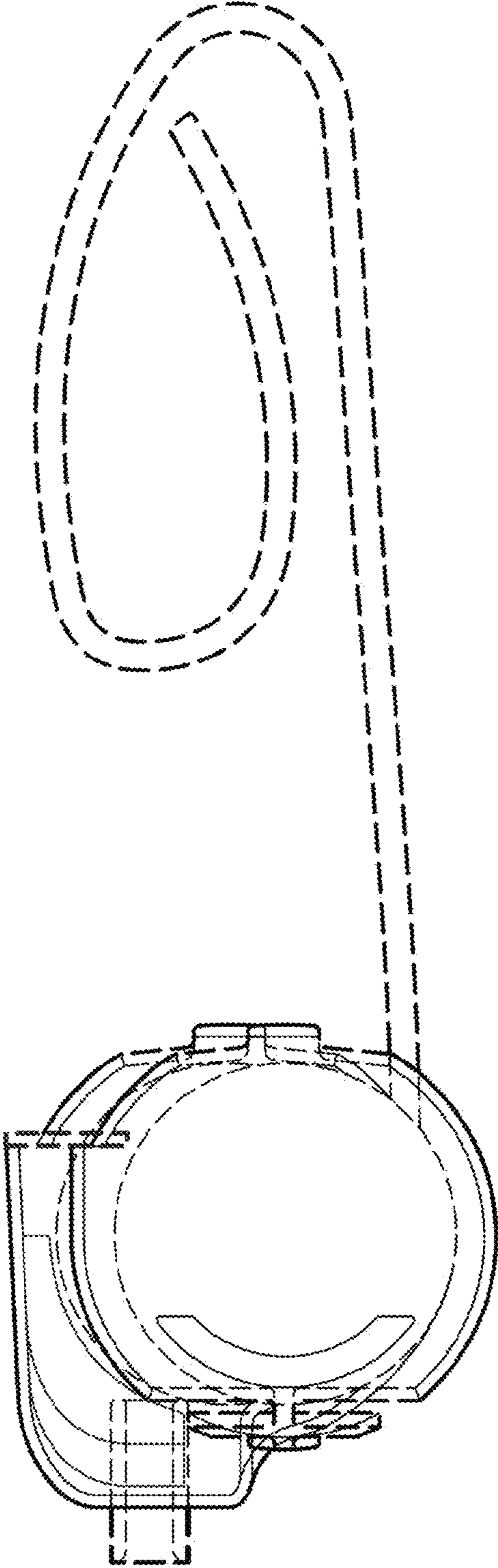


FIG. 5

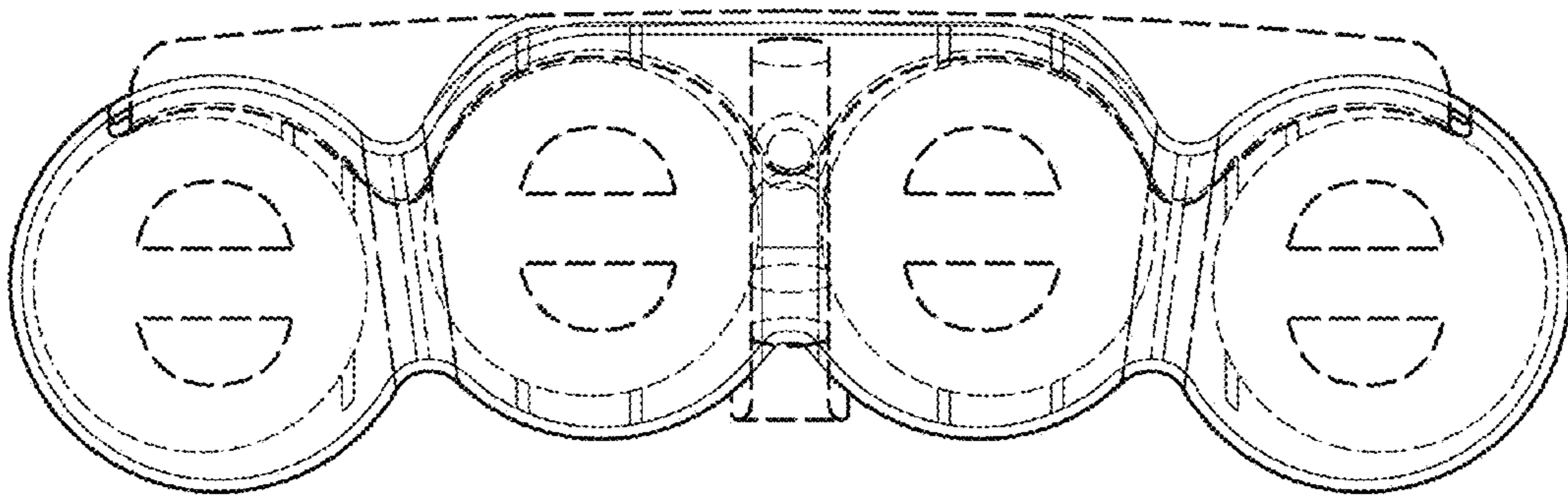


FIG. 6

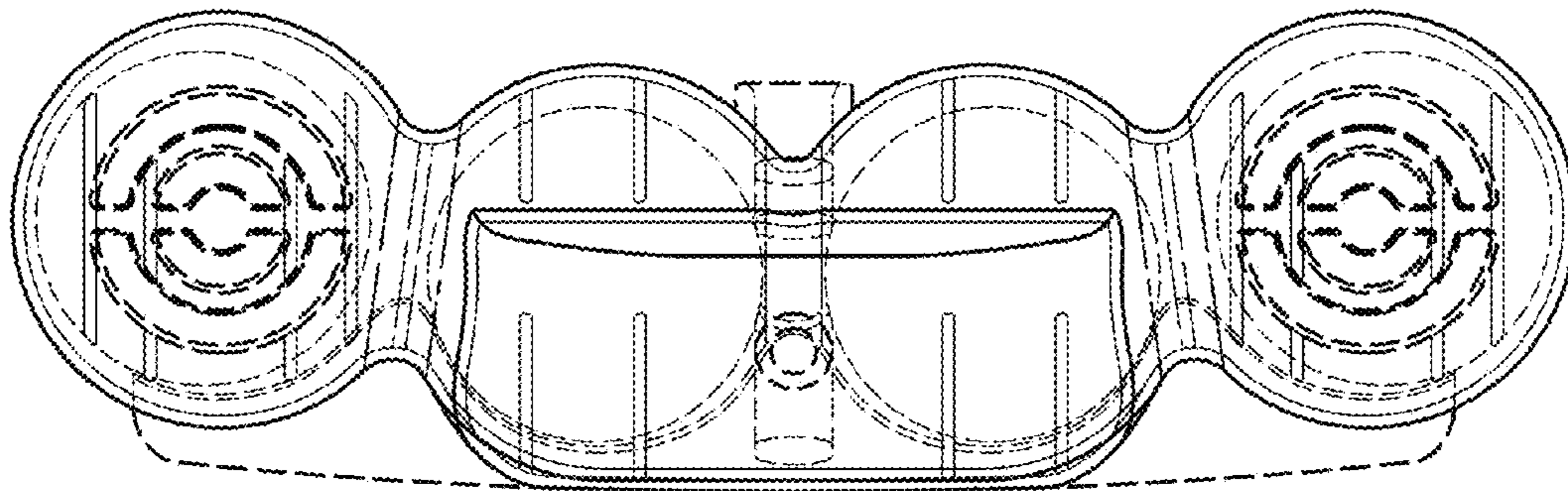


FIG. 7

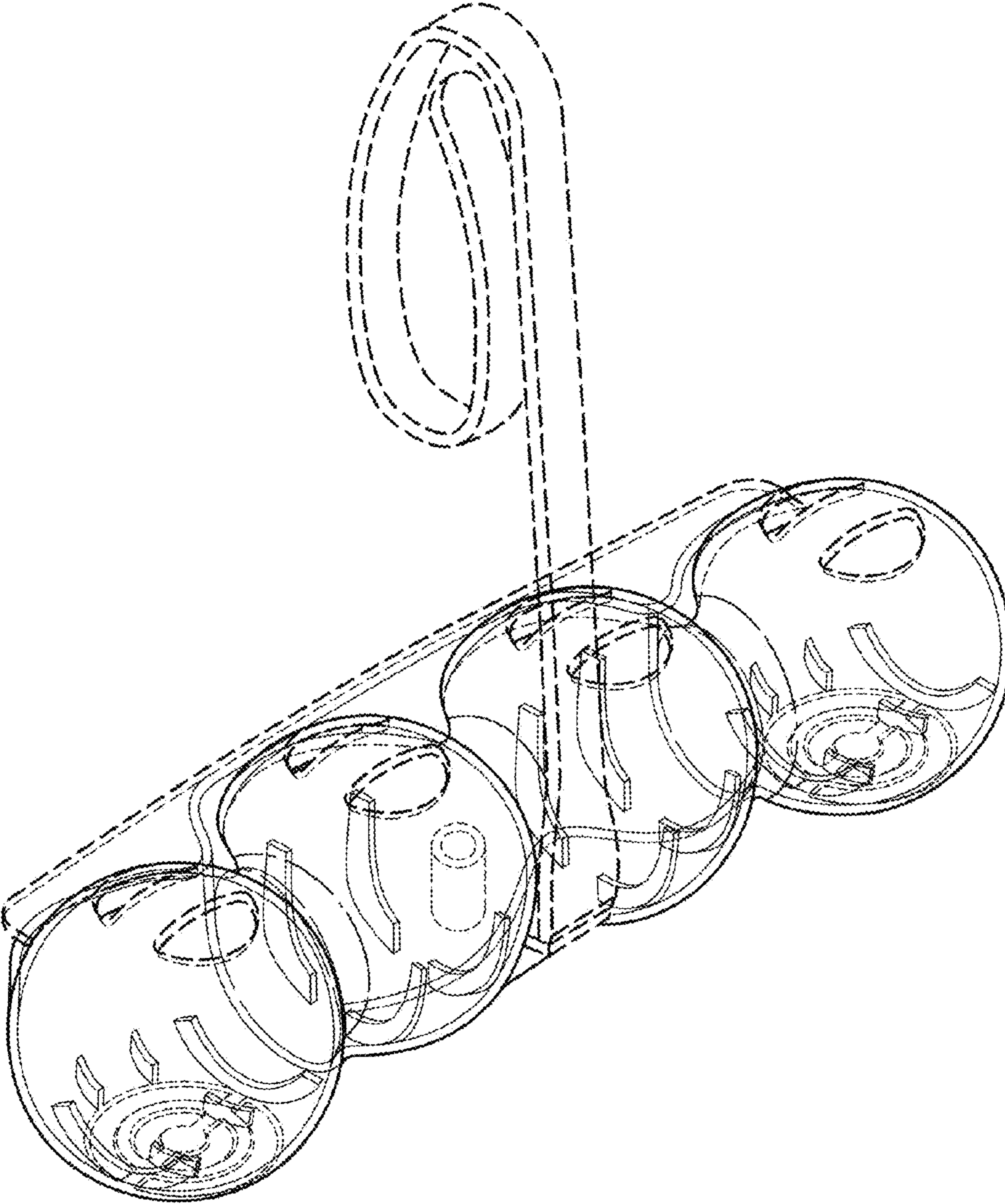


FIG. 8



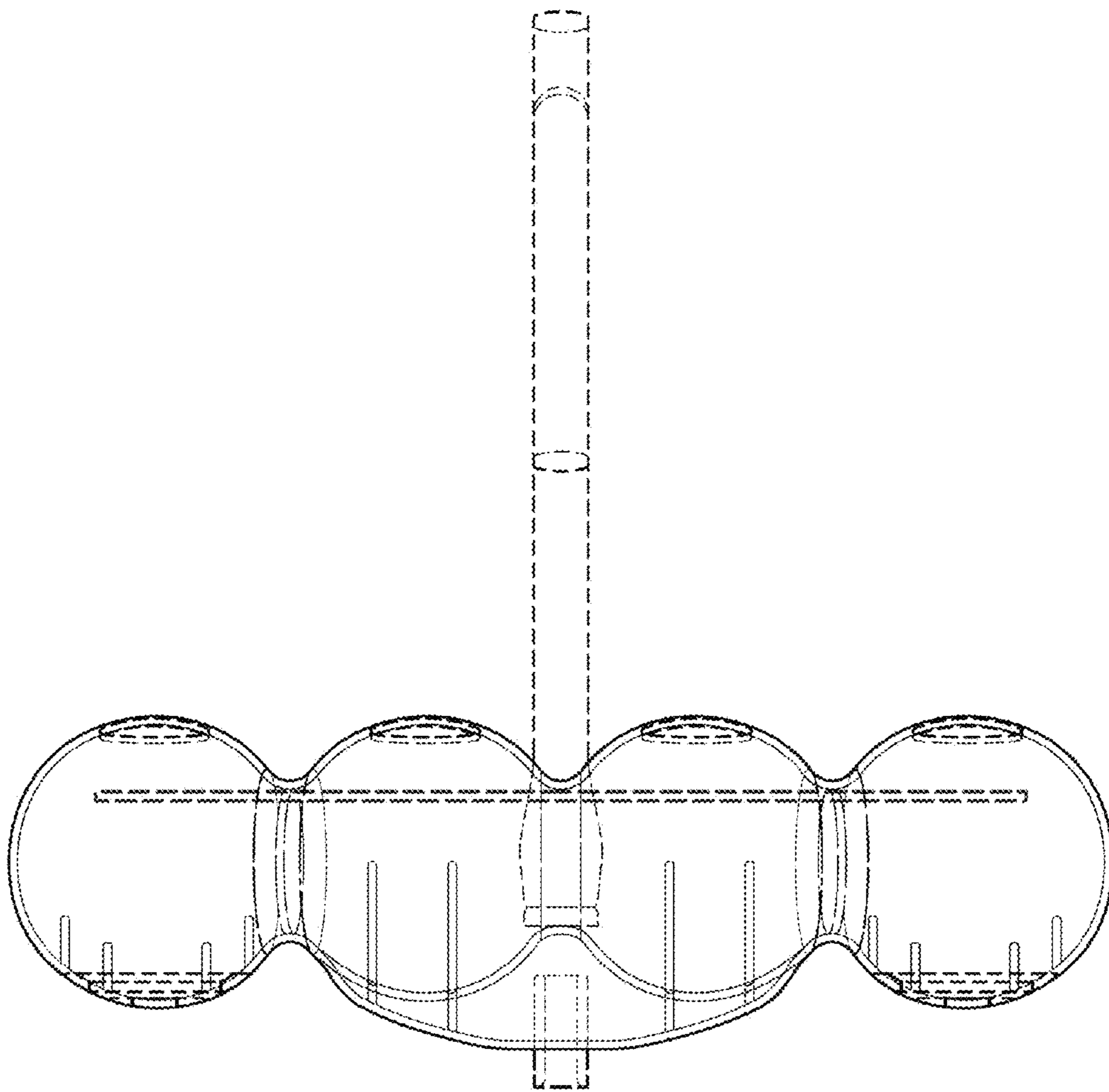


FIG. 9

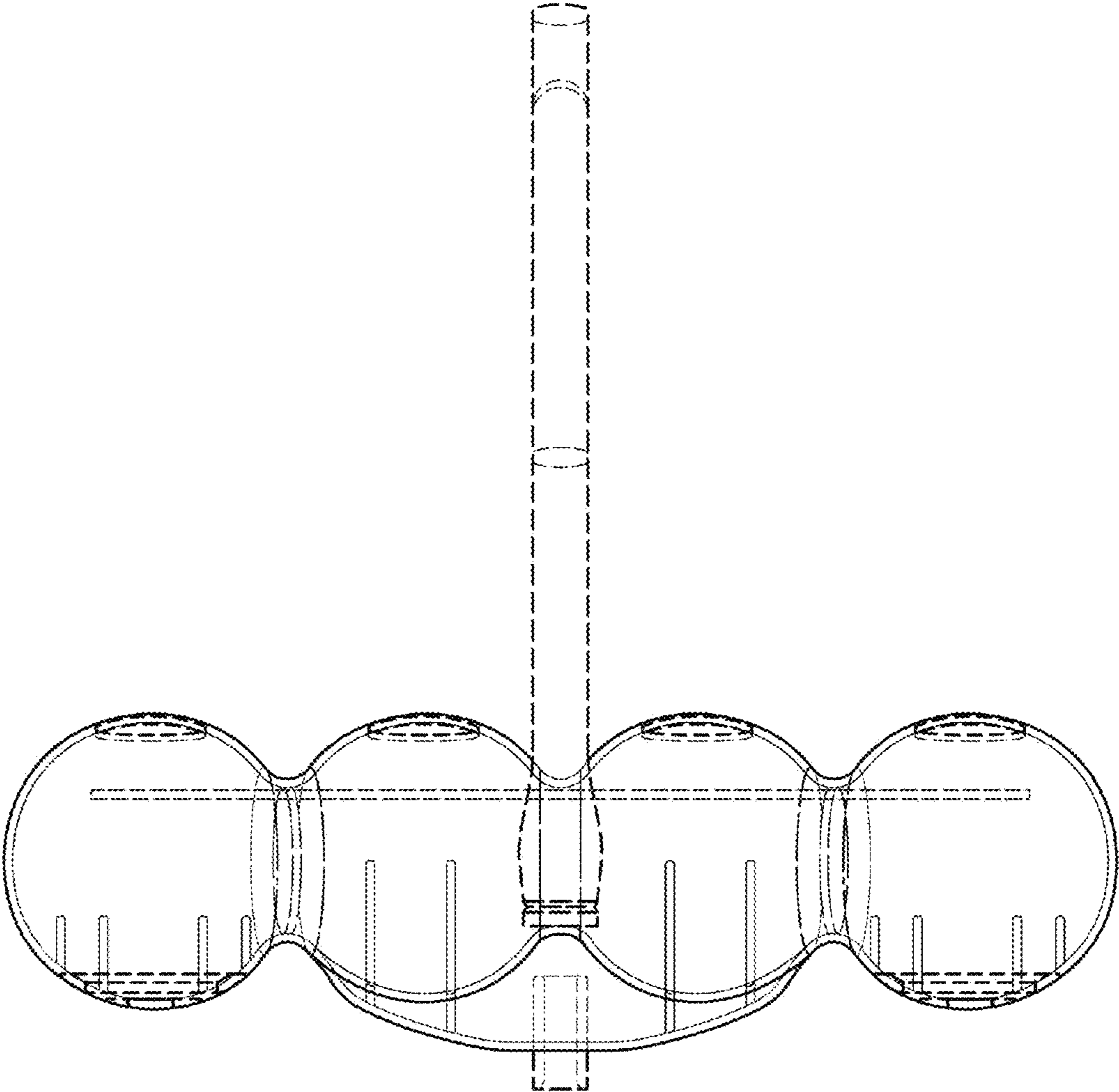


FIG. 10

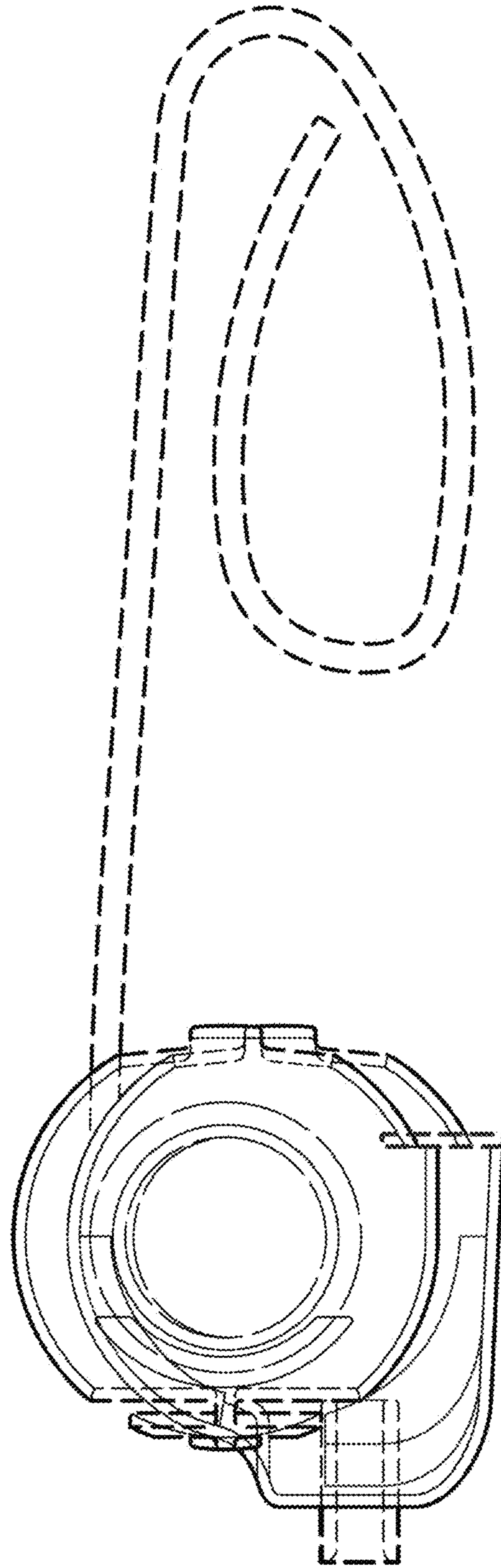


FIG. 11

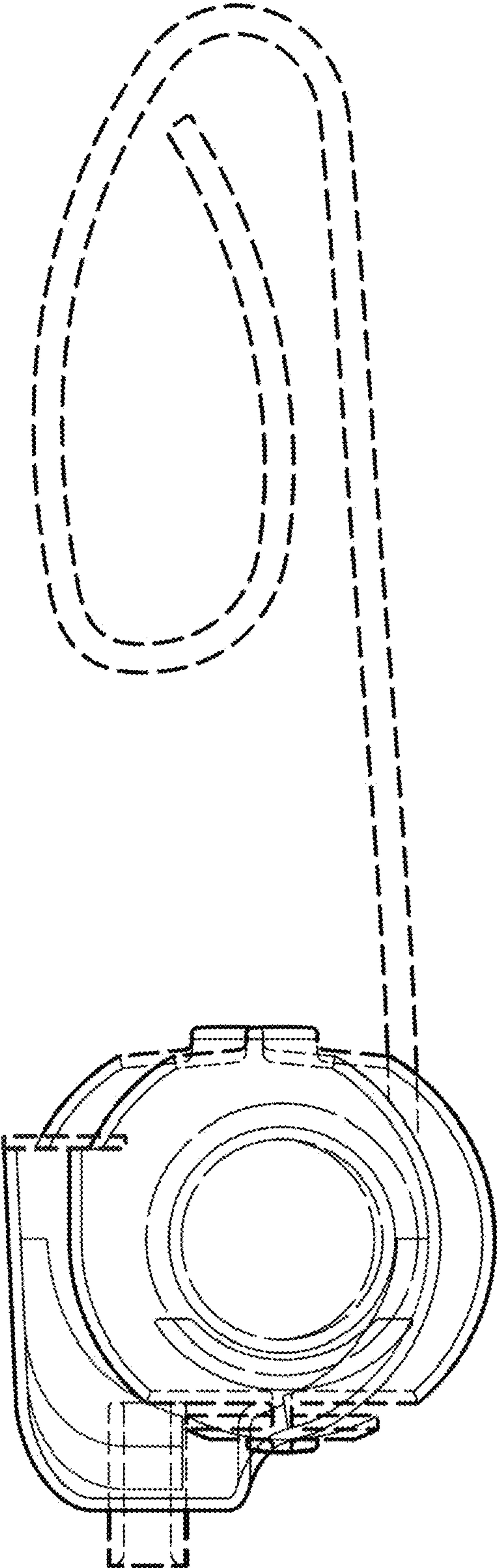


FIG. 12

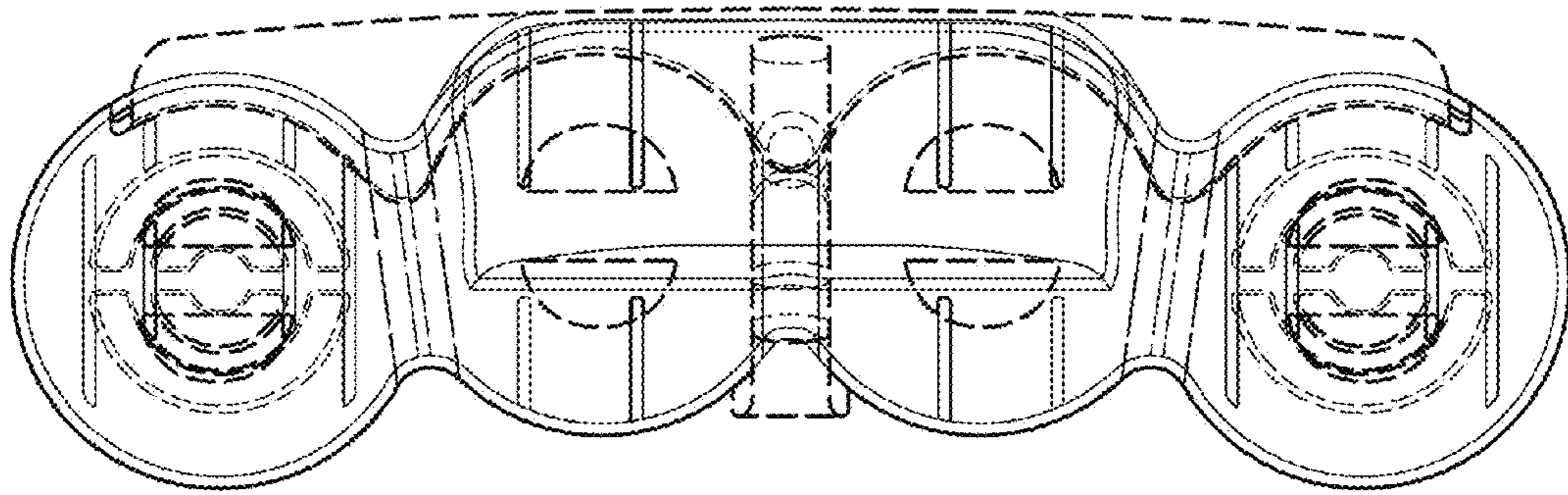


FIG. 13

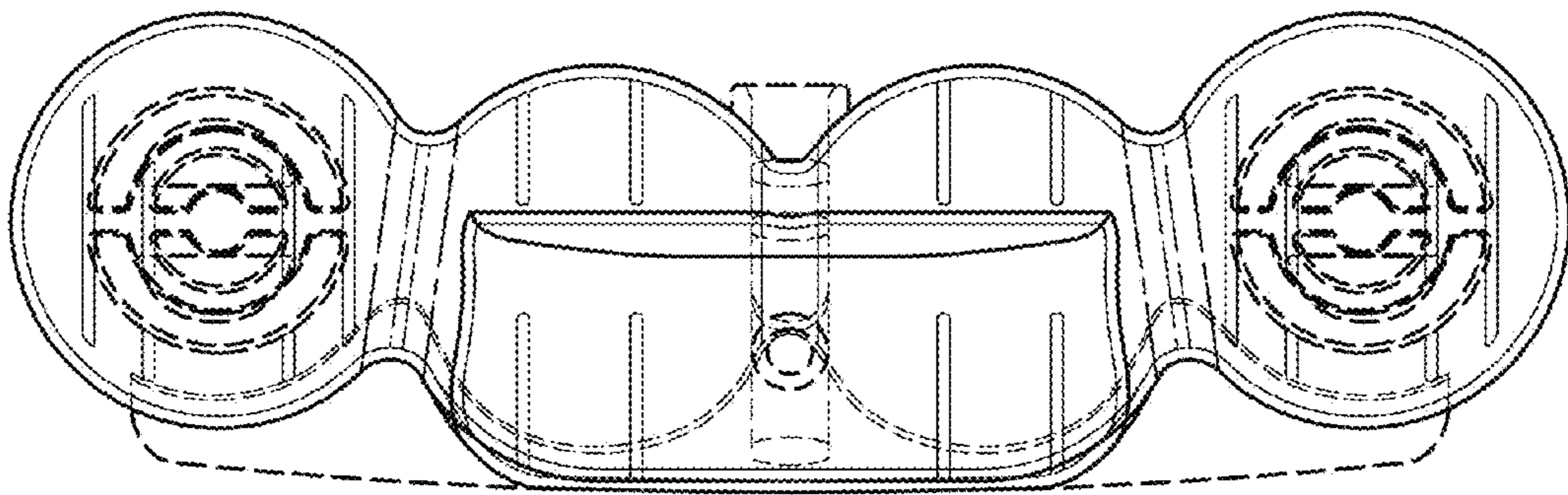


FIG. 14