



US00D748220S

(12) **United States Design Patent**
Fricke

(10) **Patent No.:** **US D748,220 S**
(45) **Date of Patent:** **** Jan. 26, 2016**

- (54) **BULLET**
- (71) Applicant: **Lehigh Defense, LLC**, Quakertown, PA (US)
- (72) Inventor: **David B. Fricke**, Quakertown, PA (US)
- (73) Assignee: **Lehigh Defense, LLC**, Quakertown, PA (US)
- (**) Term: **14 Years**
- (21) Appl. No.: **29/502,270**
- (22) Filed: **Sep. 12, 2014**
- (51) **LOC (10) Cl.** **22-03**
- (52) **U.S. Cl.**
USPC **D22/116**
- (58) **Field of Classification Search**
USPC D22/115–116
CPC F42B 30/02; F42B 5/02; F42B 5/26;
F42B 12/34; F42B 8/04; F42B 10/22; F42B
8/14
See application file for complete search history.

4,829,904 A *	5/1989	Sullivan	F42B 7/10 102/439
4,836,110 A *	6/1989	Burczynski	F42B 12/34 102/501
5,133,261 A *	7/1992	Kelsey, Jr.	F42B 10/22 102/439
6,776,101 B1 *	8/2004	Pickard	F42B 12/34 102/507
2006/0096491 A1 *	5/2006	Fichot	F42B 10/22 102/501
2010/0147177 A1 *	6/2010	Van Stratum	F42B 5/26 102/470
2013/0263754 A1 *	10/2013	Neme	F42B 7/046 102/439
2015/0083011 A1 *	3/2015	Emary	F42B 12/02 102/506

* cited by examiner

Primary Examiner — Michael A Pratt
(74) *Attorney, Agent, or Firm* — Merchant & Gould, P.C.

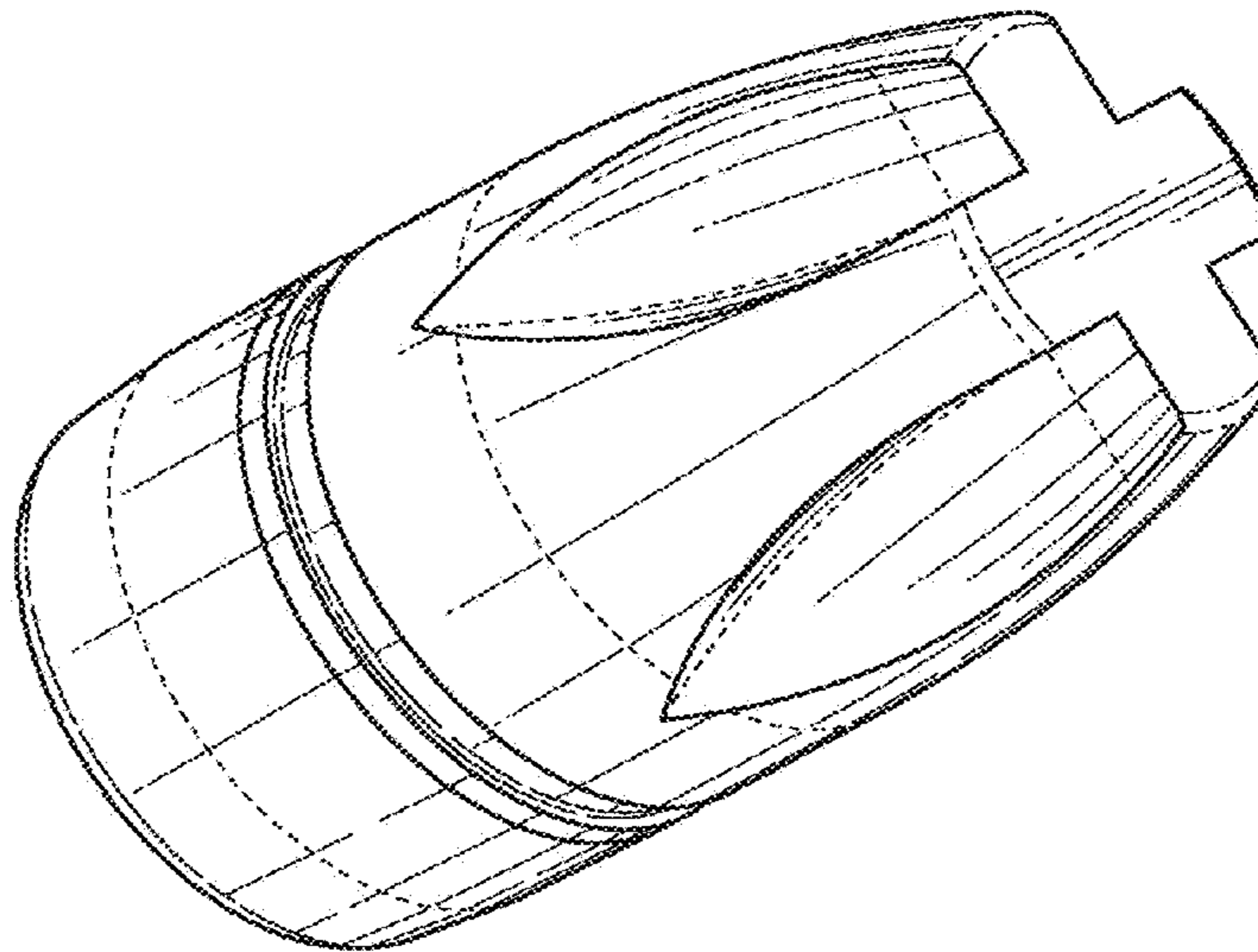
(57) **CLAIM**
The ornamental design for a bullet, as shown and described.

DESCRIPTION

FIG. 1 is an isometric view of a bullet according to my design;
FIG. 2 is a right view thereof;
FIG. 3 is a left view thereof;
FIG. 4 is a back view thereof;
FIG. 5 is a front view thereof;
FIG. 6 is a top view thereof; and,
FIG. 7 is a front view thereof.
The broken lines in the figures illustrate aspects of the bullet which form no part of the claimed design.

1 Claim, 3 Drawing Sheets

- (56) **References Cited**
U.S. PATENT DOCUMENTS
- 1,095,501 A * 5/1914 Hoagland F42B 12/34
102/509
- 1,099,298 A * 6/1914 Hoagland F42B 12/34
102/507
- 2,936,709 A * 5/1960 Seavey F42B 5/26
102/469
- 4,644,866 A * 2/1987 Sullivan F42B 7/10
102/439



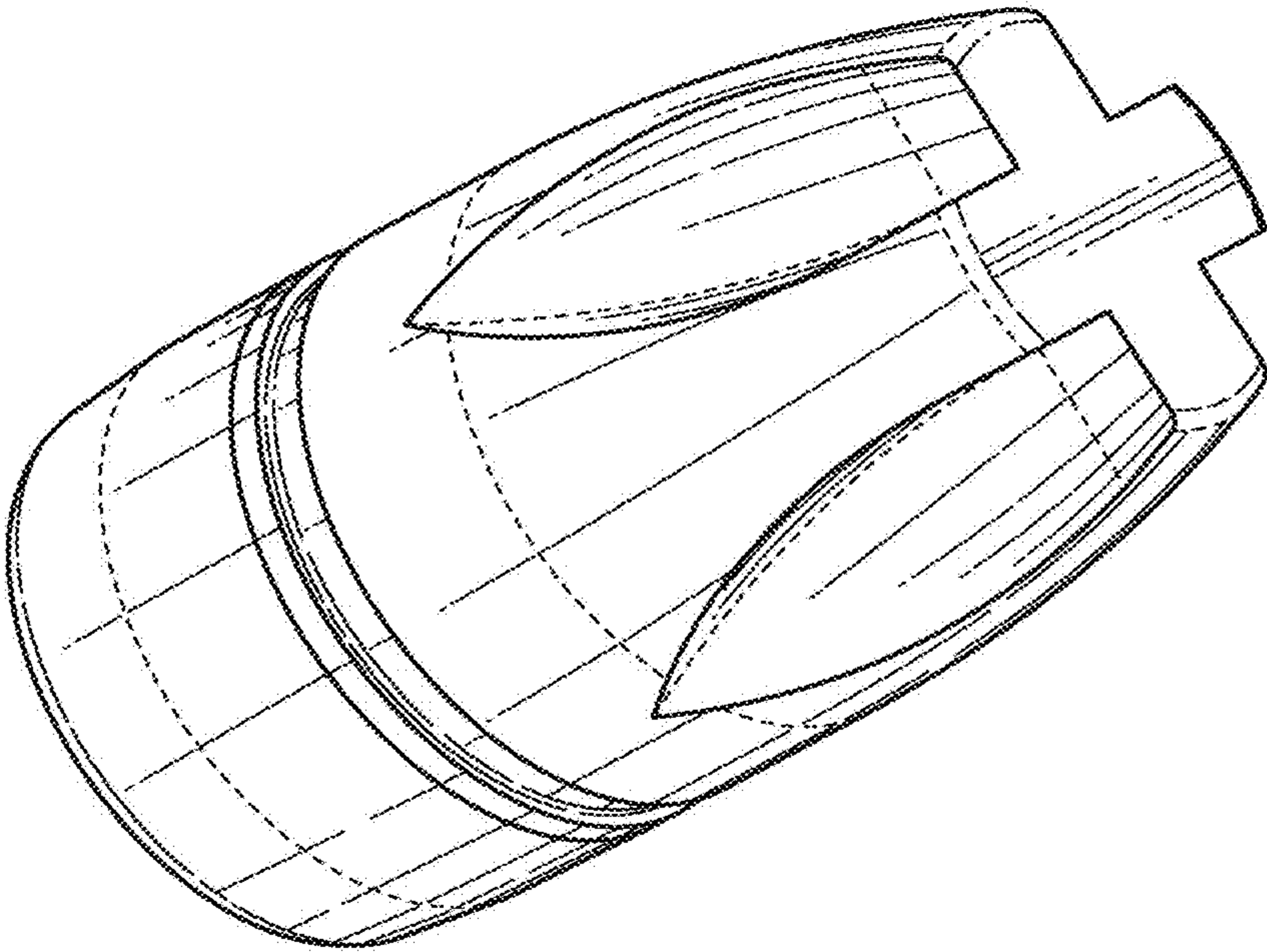


FIG. 1

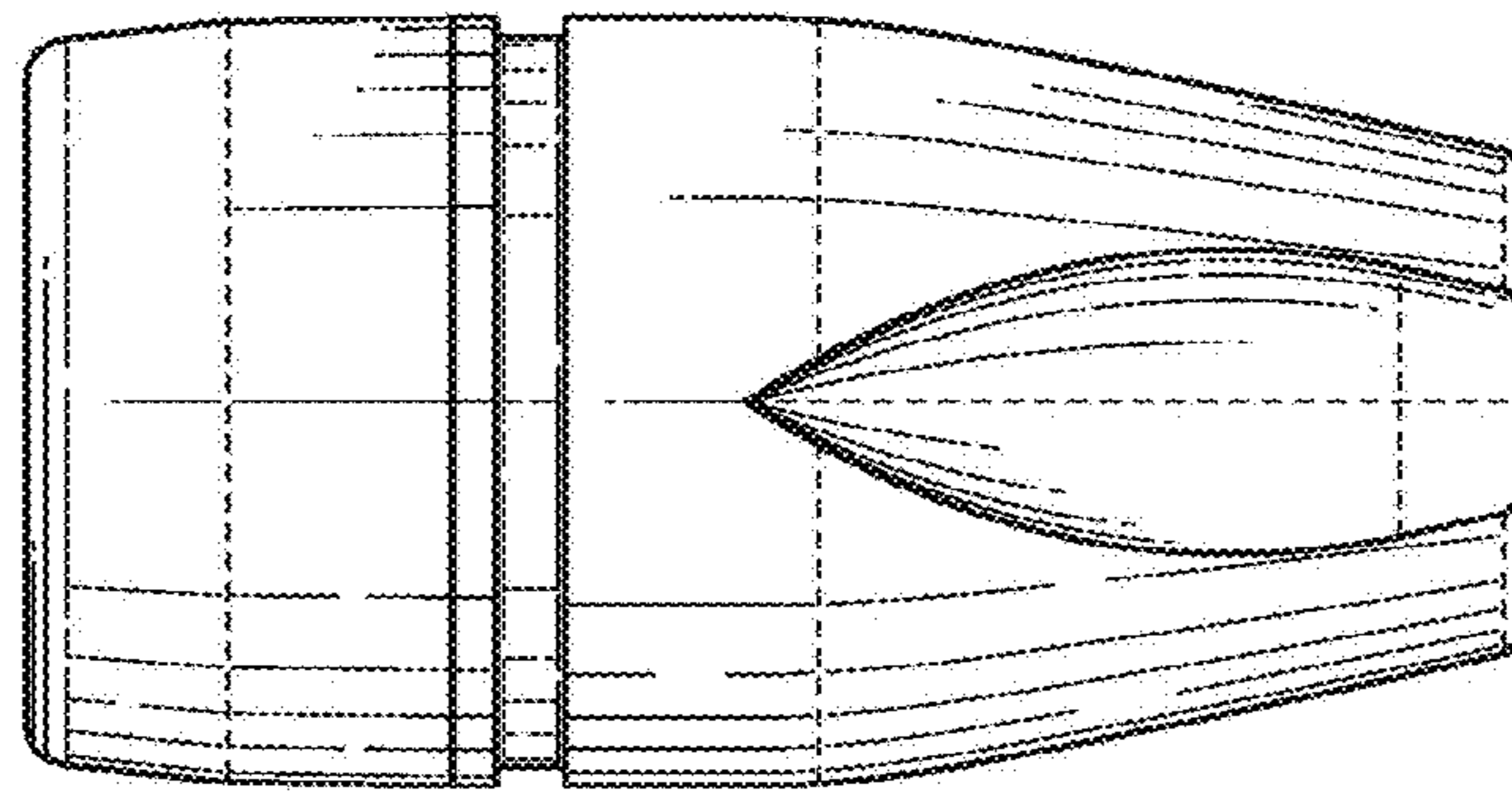


FIG. 2

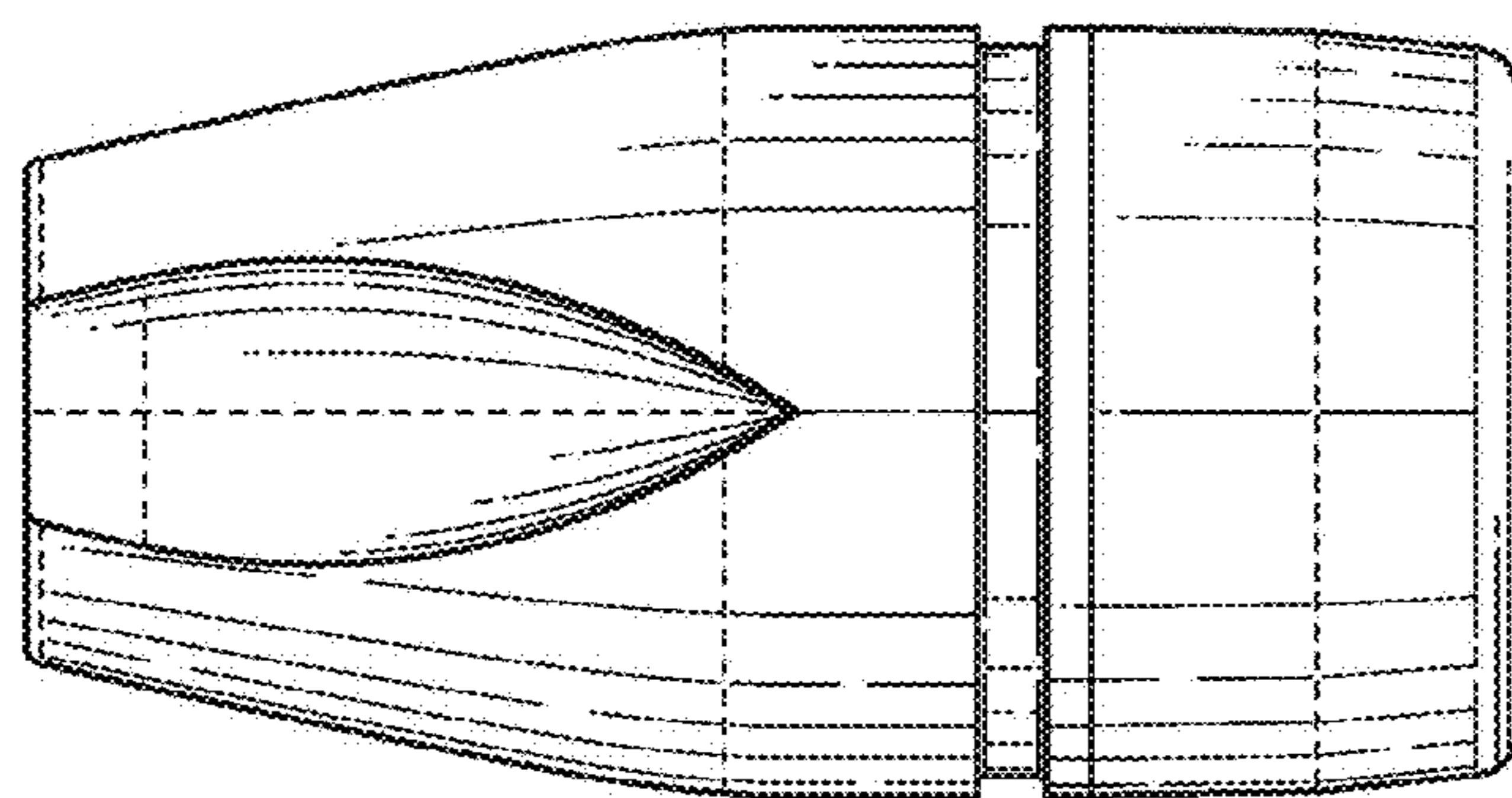


FIG. 3

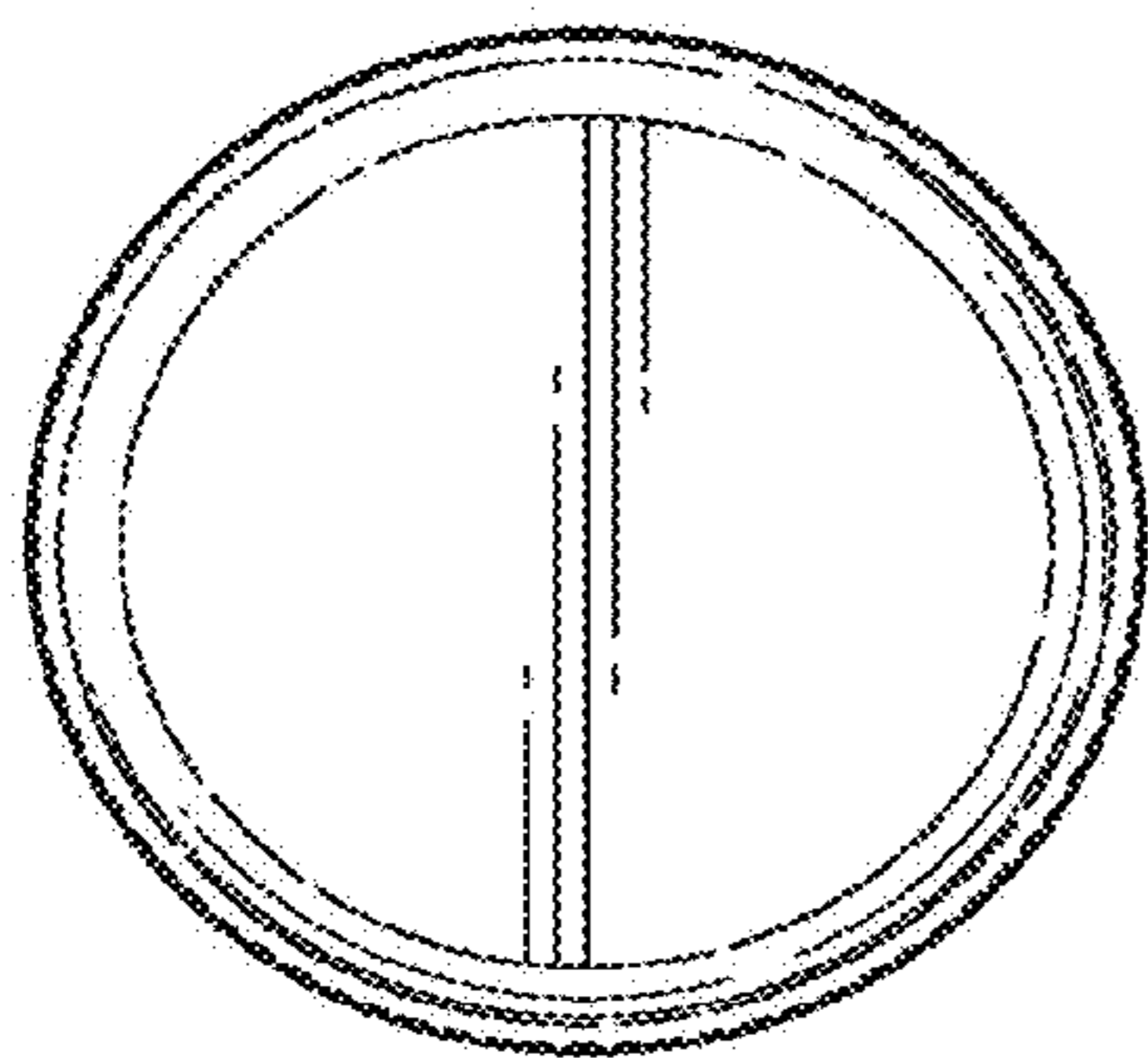


FIG. 4

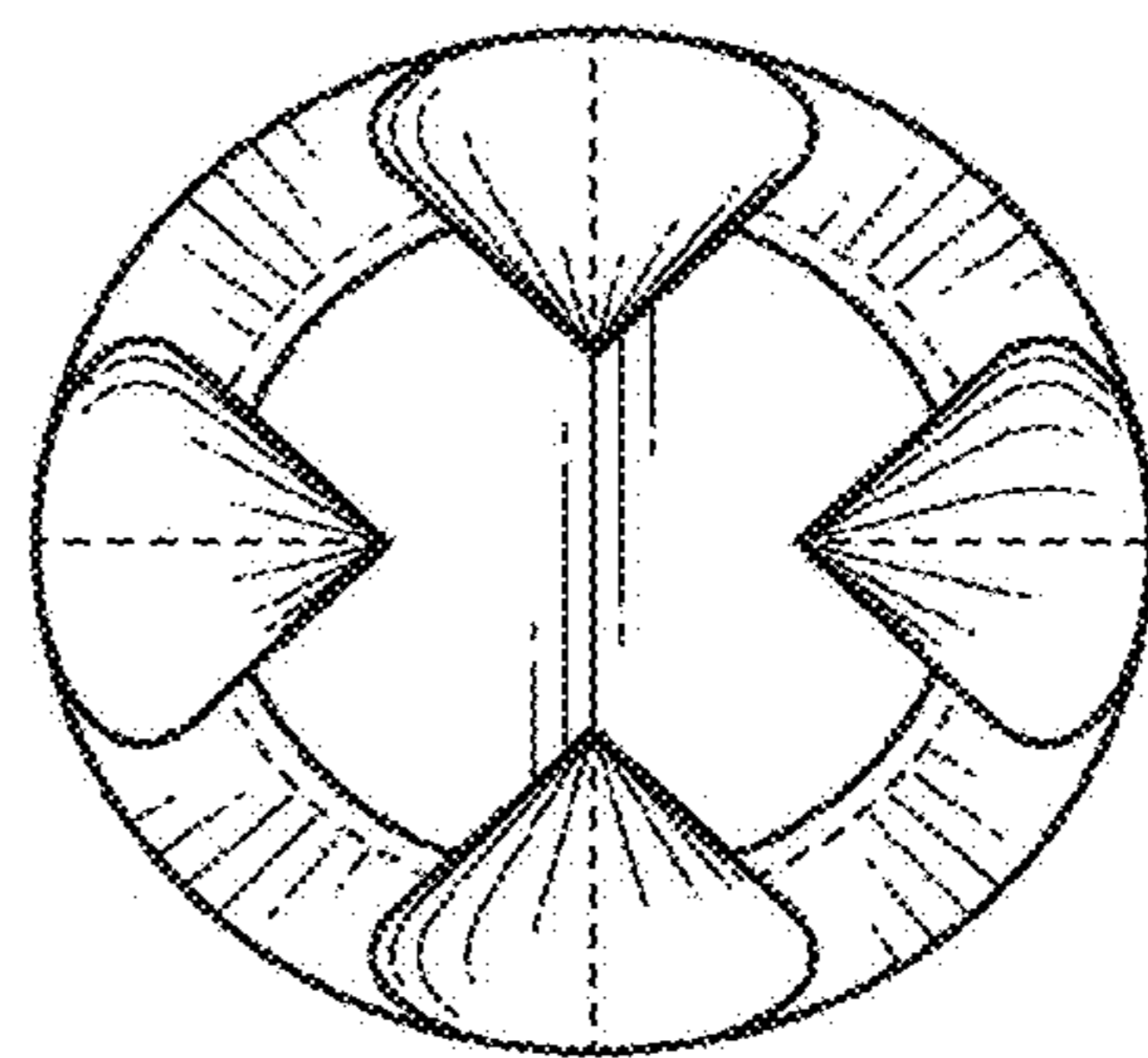


FIG. 5

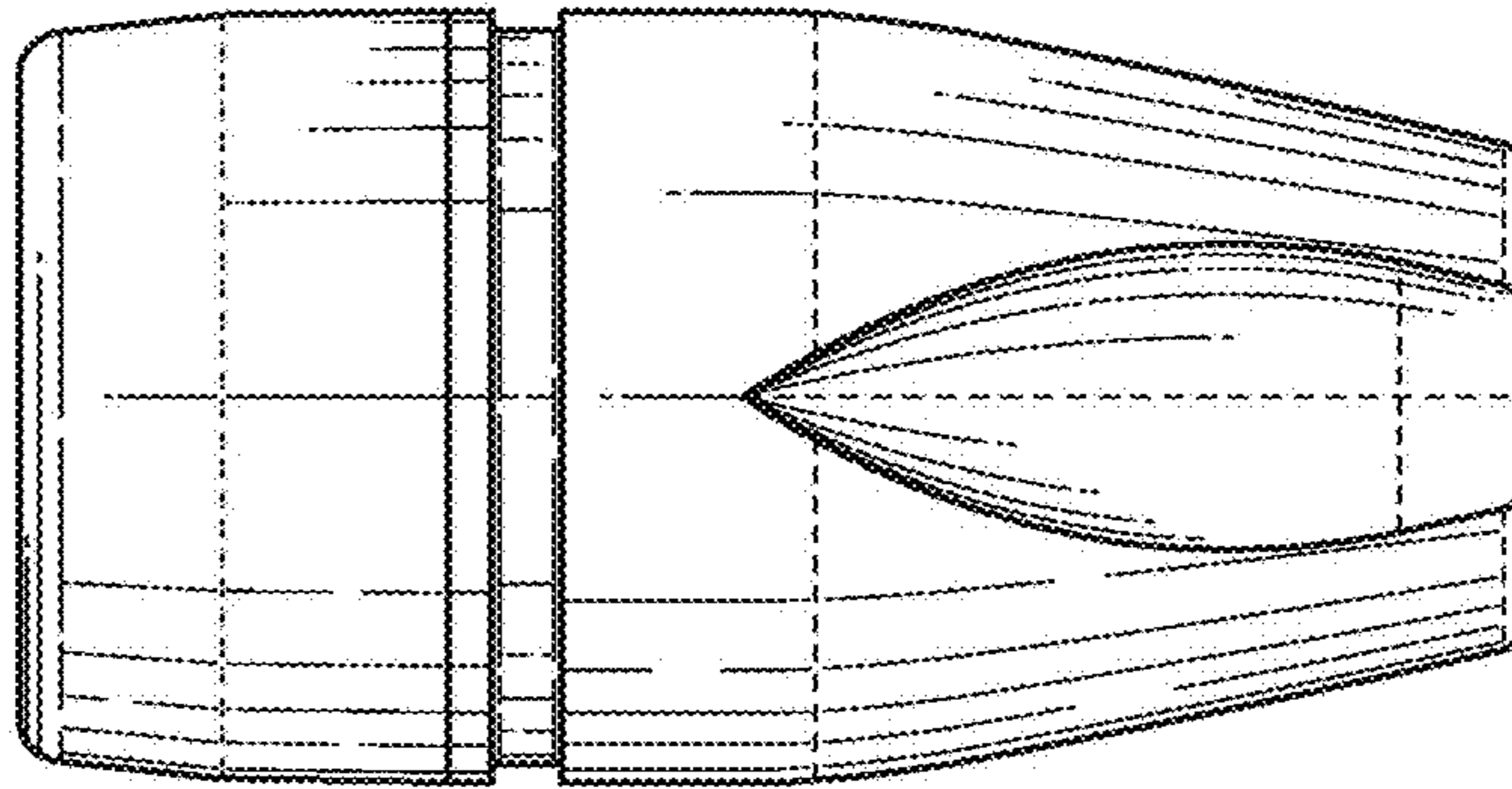


FIG. 6

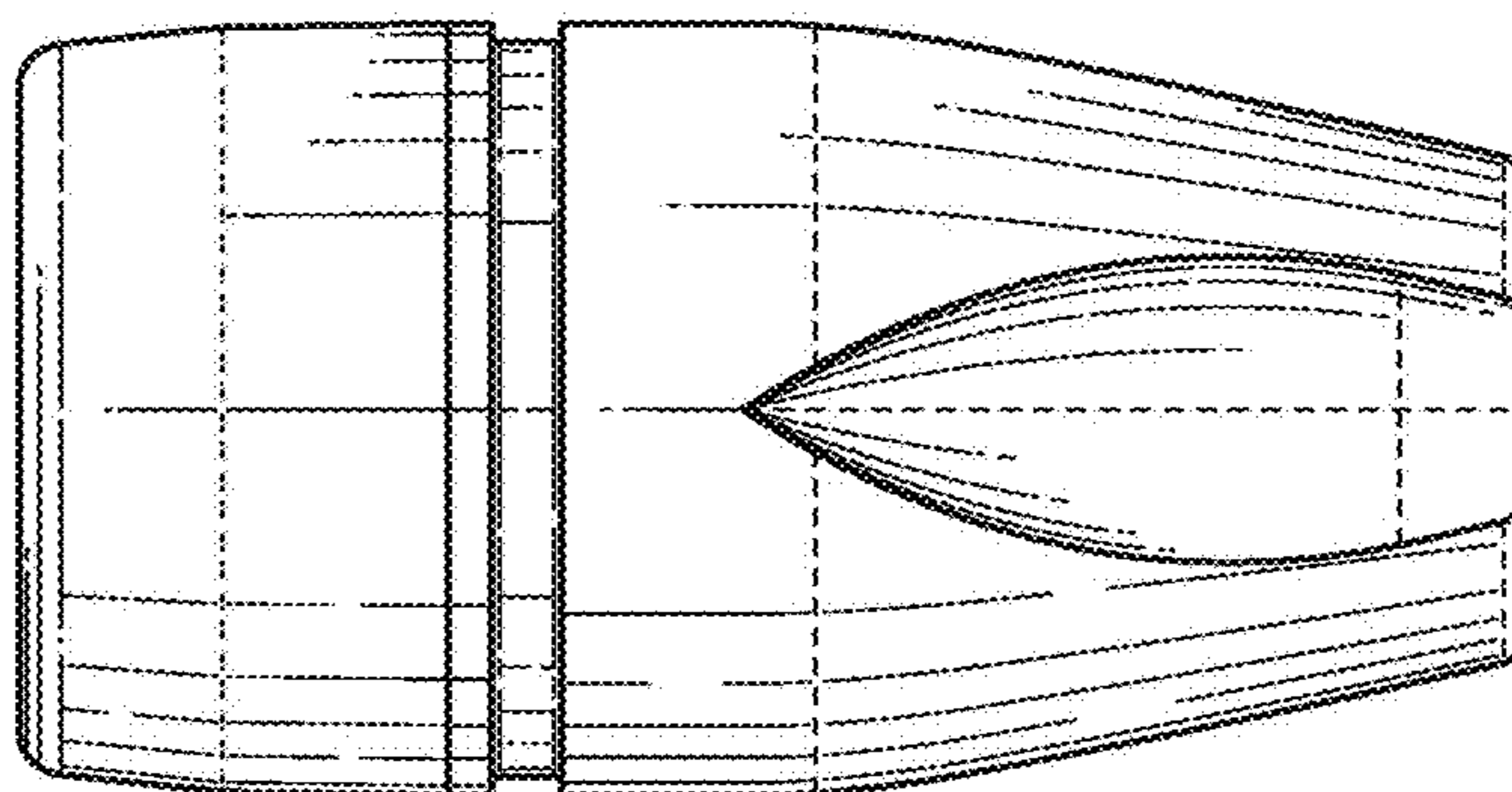


FIG. 7