



US00D748219S

(12) **United States Design Patent**  
**Kielsmeier et al.**

(10) **Patent No.:** **US D748,219 S**  
(45) **Date of Patent:** **\*\* Jan. 26, 2016**

- (54) **FIREARM MAGAZINE BODY**
- (71) Applicant: **Magpul Industries Corporation**, Erie, CO (US)
- (72) Inventors: **Nicholas Kielsmeier**, Denver, CO (US); **Brian Nakayama**, Arvada, CO (US); **Michael T. Mayberry**, Denver, CO (US); **Jeremy Fiester**, Lafayette, CO (US)
- (73) Assignee: **Magpul Industries Corporation**, Louisville, CO (US)
- (\*\*) Term: **14 Years**
- (21) Appl. No.: **29/502,192**
- (22) Filed: **Sep. 12, 2014**
- (51) **LOC (10) Cl.** ..... **22-01**
- (52) **U.S. Cl.**  
USPC ..... **D22/108**
- (58) **Field of Classification Search**  
USPC ..... D22/108  
CPC ..... F41A 9/70; F41A 9/65; F41A 9/71; F41A 9/68; F41A 9/69; F41A 9/61; F41A 9/00; F41A 9/17; F41A 9/23; F41A 9/34; F41A 9/84; F41A 11/02  
See application file for complete search history.

7,886,468 B1 \* 2/2011 Pontollo, II ..... F41A 3/26  
42/50  
2011/0107639 A1 \* 5/2011 Douglas ..... F41A 9/67  
42/50

**OTHER PUBLICATIONS**

Glock\_2012\_Glock\_17 Glock (Jan. 7, 2012) Glock 17; Website [Online] Available Website: <http://us.glock.com/products/model/g17>; Last Update: Oct. 9, 2014; Accessed on: Jan. 21, 2015.  
(Continued)

*Primary Examiner* — Michael A Pratt  
(74) *Attorney, Agent, or Firm* — Swanson & Bratschun, L.L.C.

(57) **CLAIM**

The ornamental design for a firearm magazine body, as shown and described.

**DESCRIPTION**

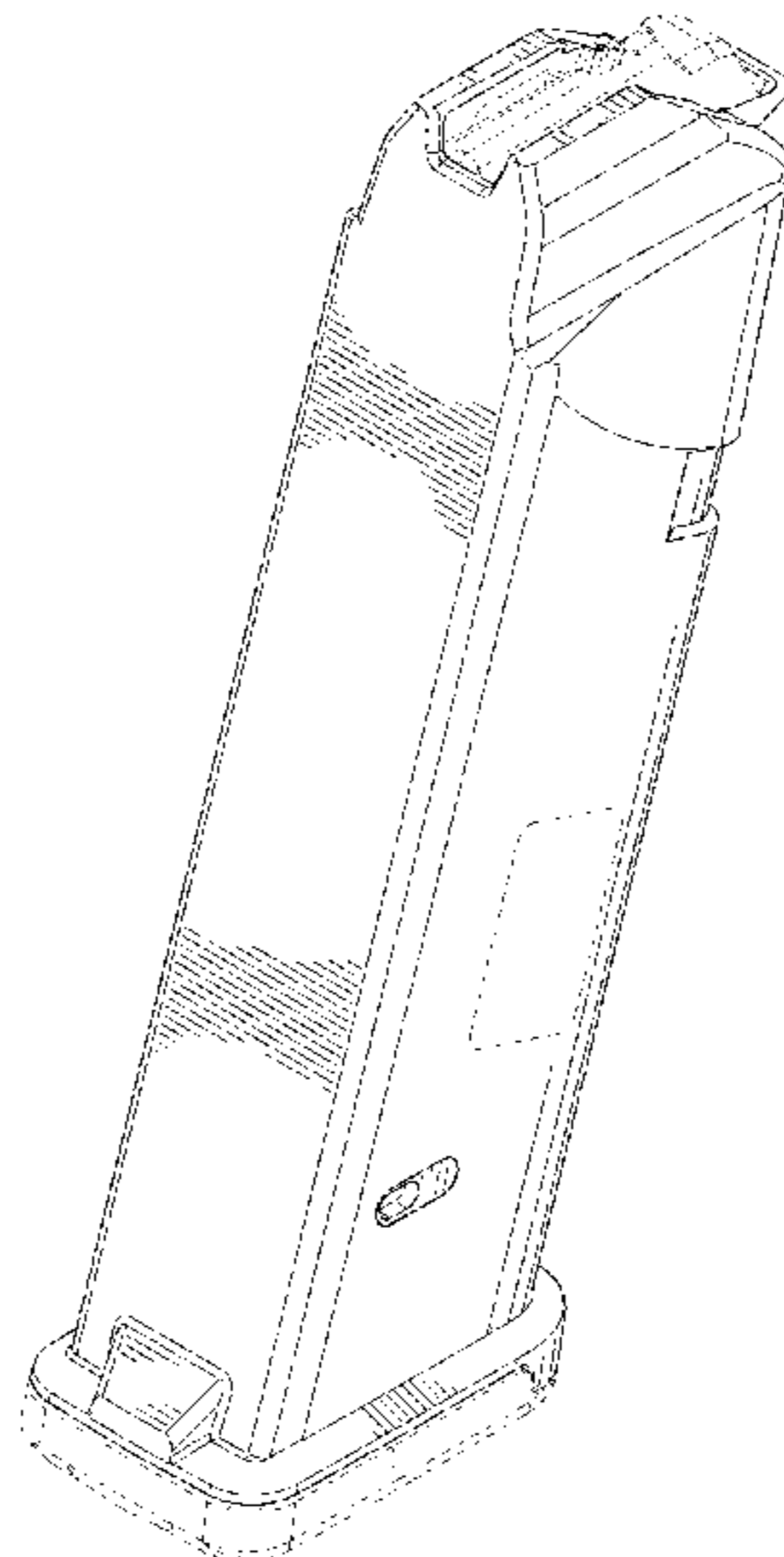
FIG. 1 is a rear, right, top perspective view of a firearm magazine body showing our new design;  
FIG. 2 is a front, left, bottom perspective view of the firearm magazine body of FIG. 1;  
FIG. 3 is a right side elevation view of the firearm magazine body of FIG. 1;  
FIG. 4 is a left side elevation view of the firearm magazine body of FIG. 1;  
FIG. 5 is a rear elevation view of the firearm magazine body of FIG. 1;  
FIG. 6 is a front elevation view of the firearm magazine body of FIG. 1;  
FIG. 7 is a top plan view of the firearm magazine body of FIG. 1; and,  
FIG. 8 is a bottom plan view of the firearm magazine body of FIG. 1.  
The broken lines showing portions of the design in all figures are included for the purpose of illustrating environment and unclaimed features and form no part of the claimed design.

(56) **References Cited**

**U.S. PATENT DOCUMENTS**

- 4,509,283 A \* 4/1985 Chesnut ..... F41A 9/70  
42/50
- 4,888,899 A \* 12/1989 Chesnut ..... F41A 9/70  
42/50
- 5,099,595 A \* 3/1992 Chesnut ..... F41A 9/69  
42/50
- 5,417,003 A \* 5/1995 Claveau ..... F41A 9/83  
42/87
- 6,736,125 B2 \* 5/2004 Petrosyan ..... F41B 11/55  
124/51.1

**1 Claim, 6 Drawing Sheets**



(56)

**References Cited**

OTHER PUBLICATIONS

Glock Store 2013 Glock Factory Magazines Glock Store (Jun. 7, 2013) Glock Factory Magazines; Website [Online] Available Website: <http://www.glockstore.com/glock-factory-magazines/standard-glock-factory-magazines>; Last Update: Nov. 18, 2014; Accessed on: Jan. 21, 2015.

Glock Store Glock Mag Floor Plate Glock Store Glock Mag Floor Plate 9/40/.357/.45GAP; Website [Online] Available Website:

<http://www.glockstore.com/mag-parts-extensions/glock-mag-floor-plate-9-40-357-45gap>; Last Update: Unknown; Accessed on: Jan. 21, 2015.

Glock Store Glock Mag Follower 9mm New Style Glock Store Glock Mag Follower 9mm New Style; Website [Online] Available Website: <http://www.glockstore.com/mag-parts-extensions/glock-mag-follower-9mm-new-style-new-version-6>; Last Update: Unknown; Accessed on: Jan. 21, 2015.

\* cited by examiner

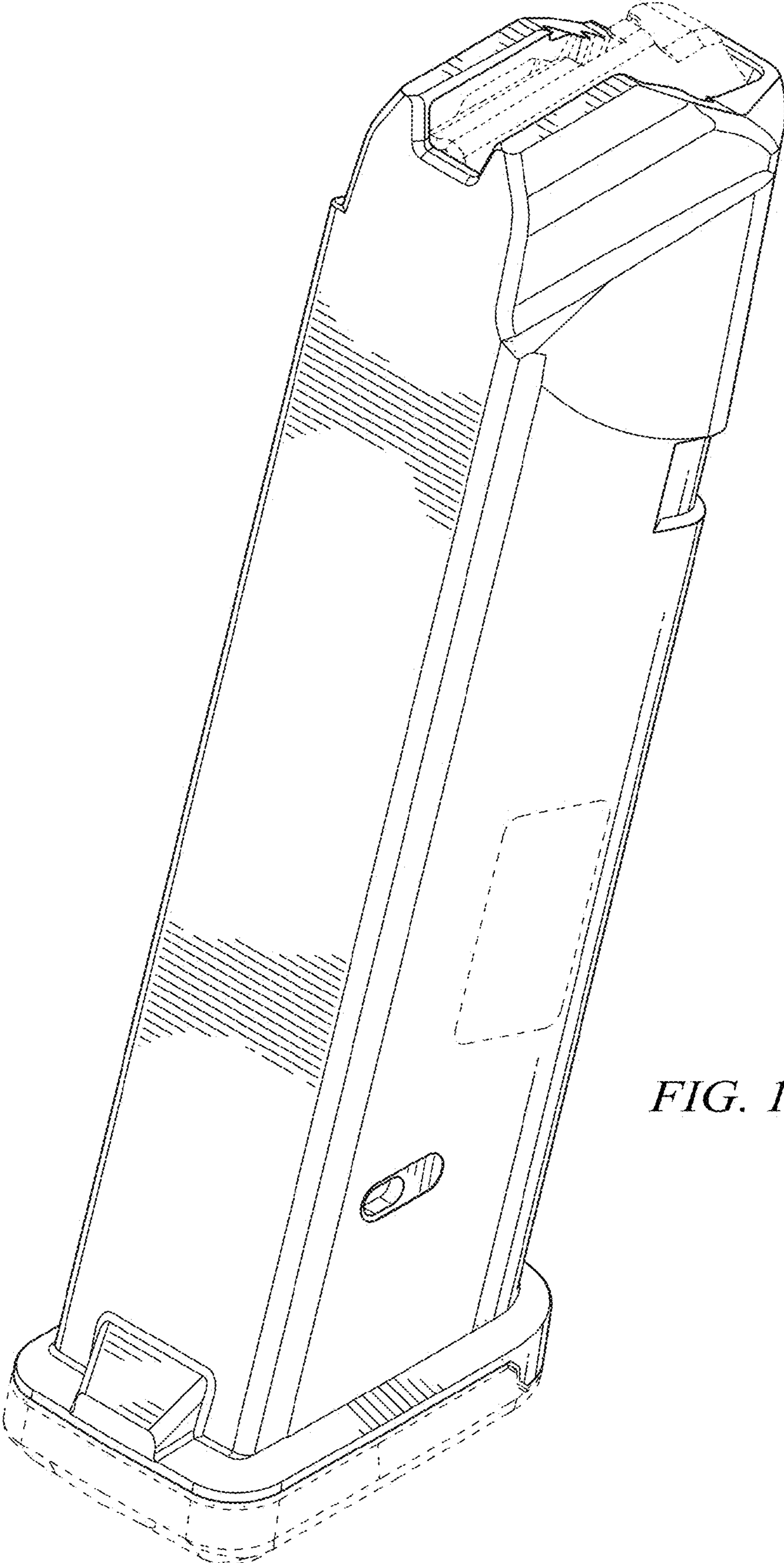


FIG. 1

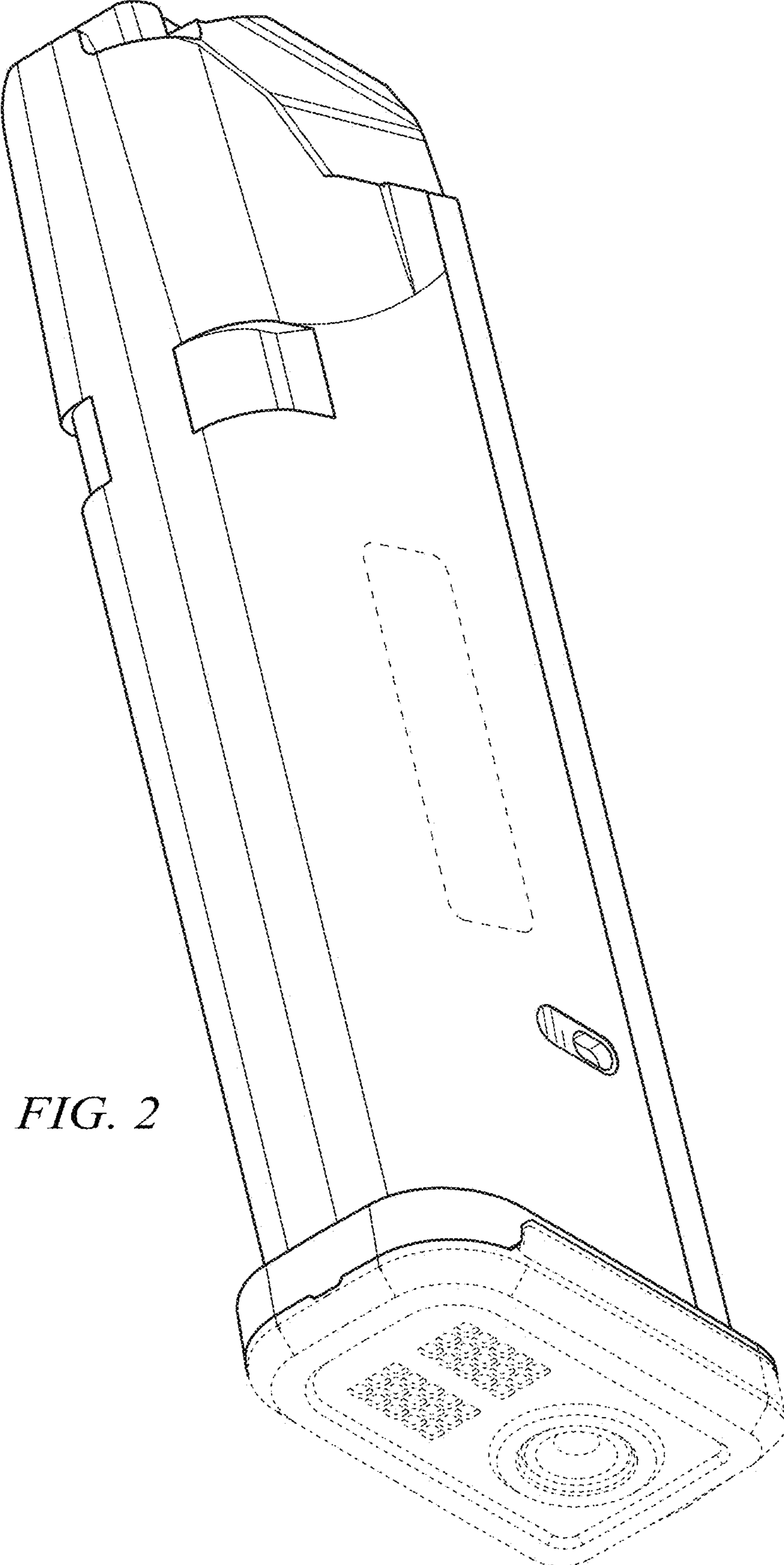


FIG. 2



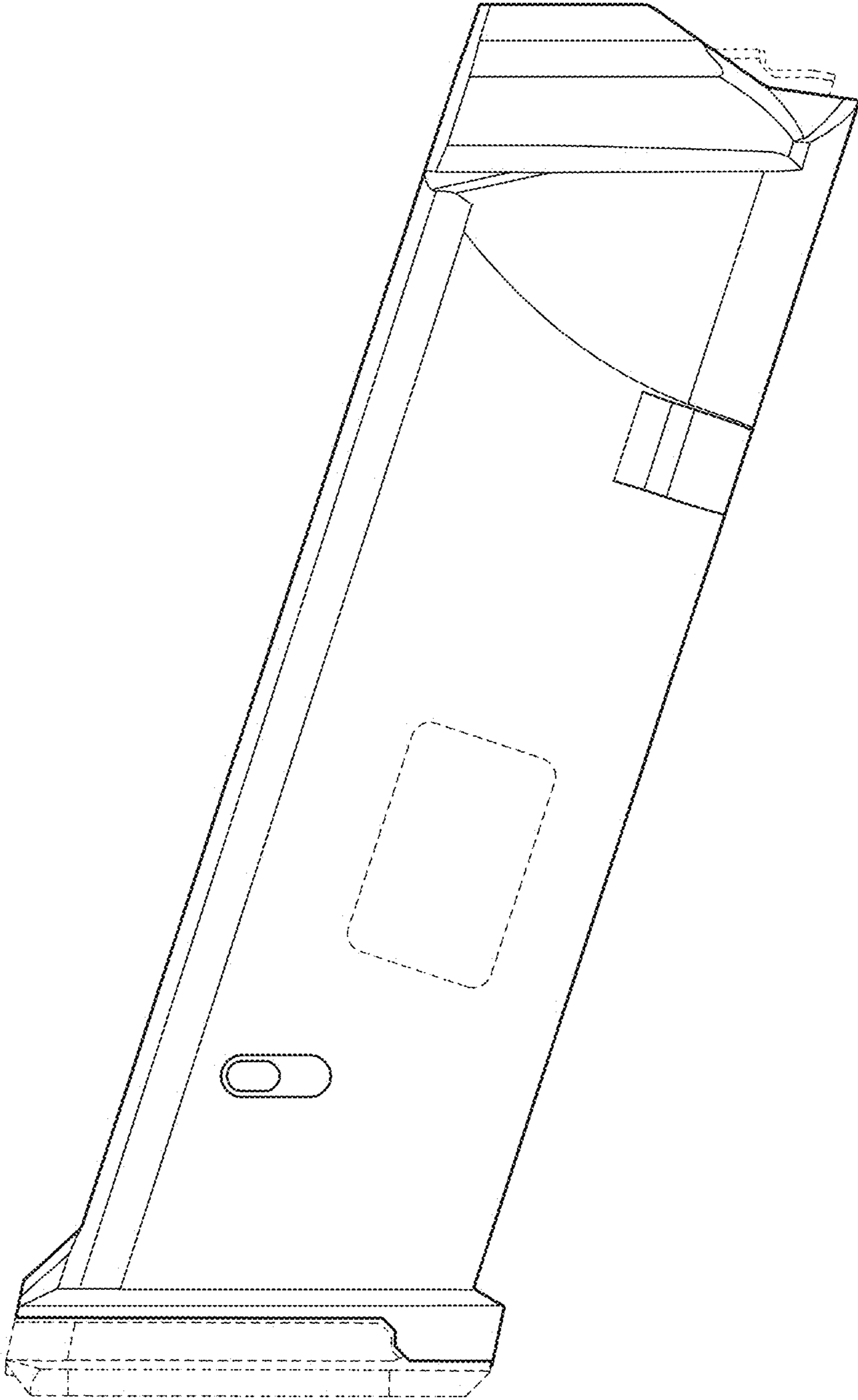


FIG. 3

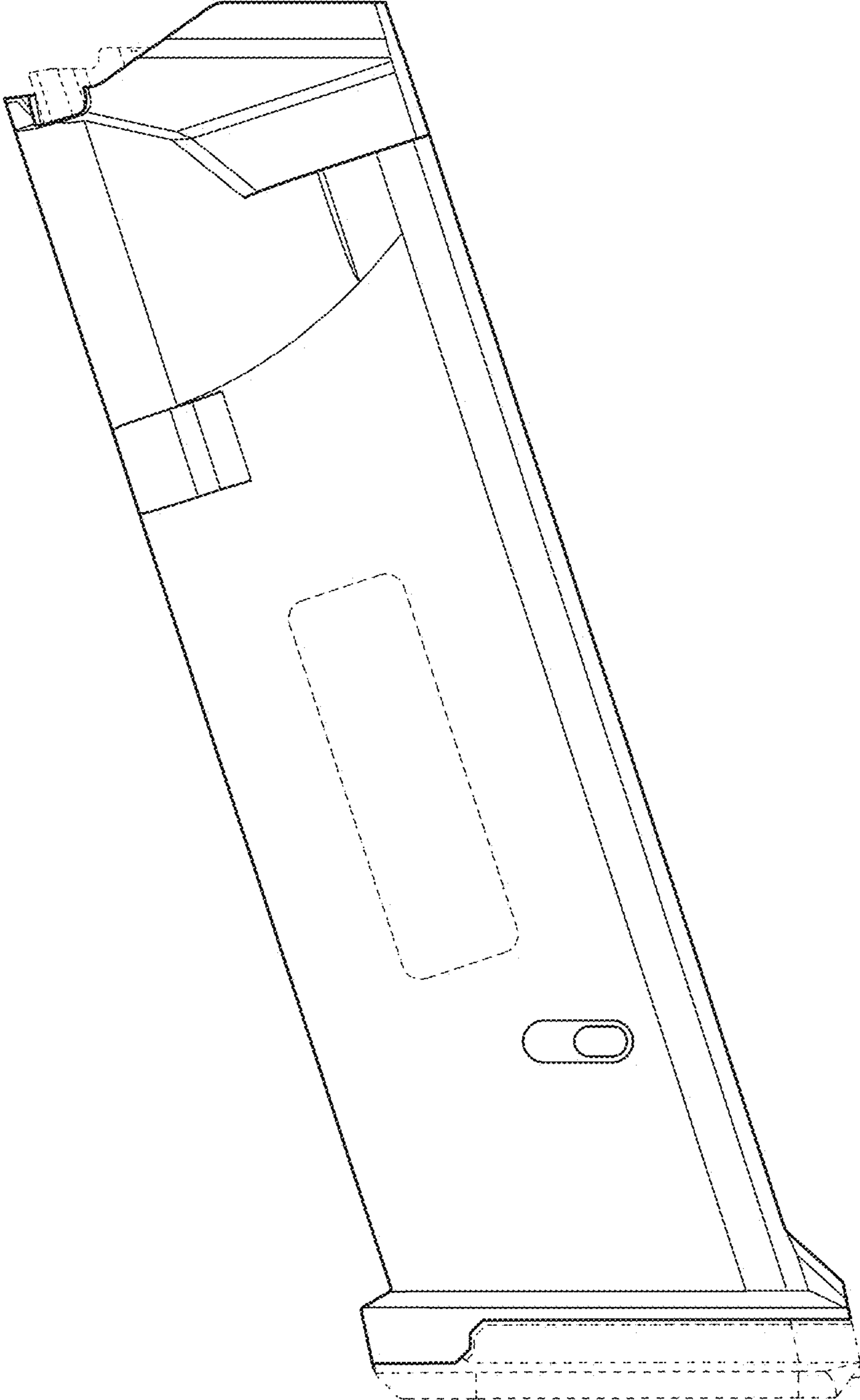


FIG. 4

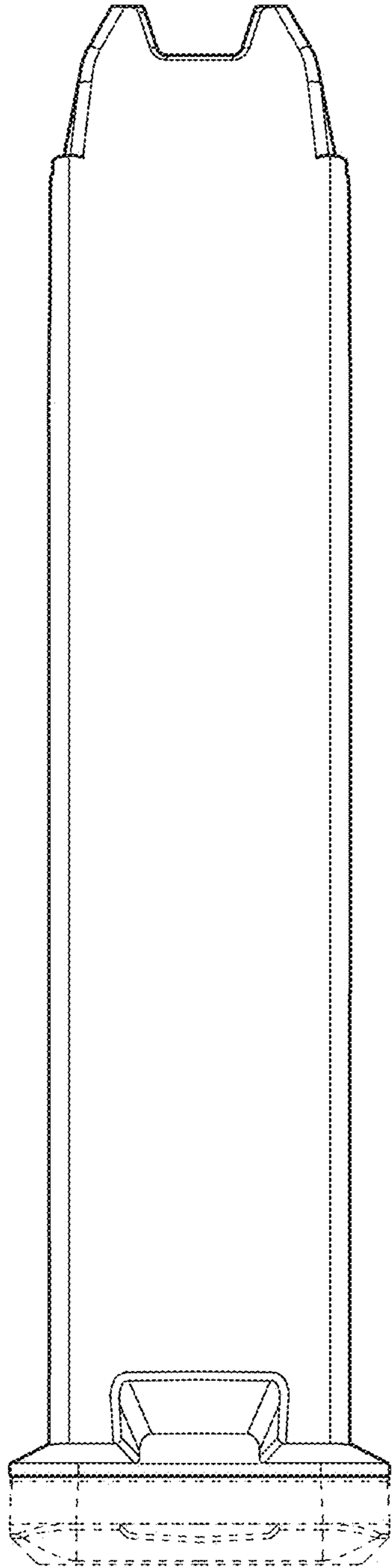


FIG. 5

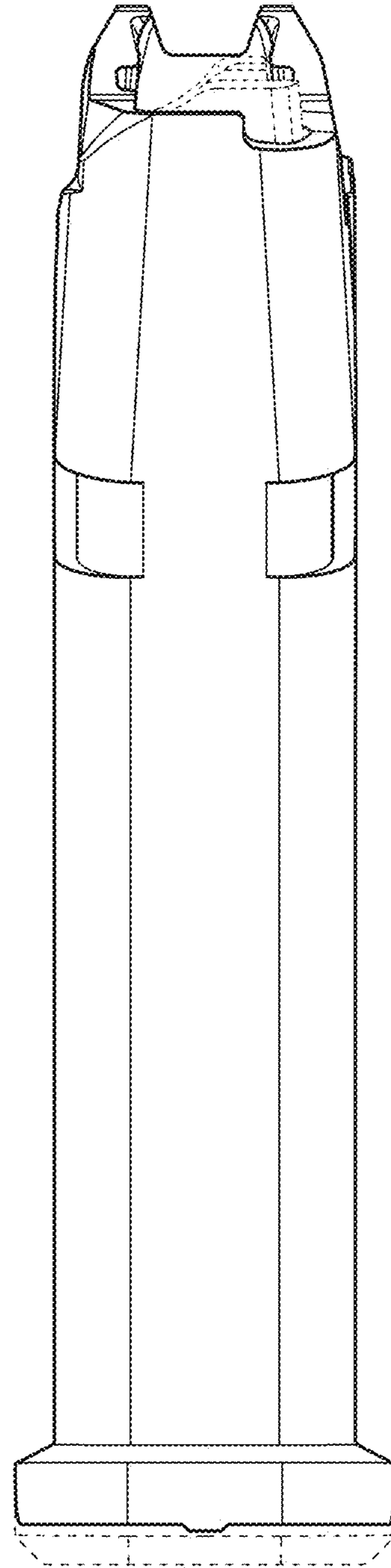


FIG. 6

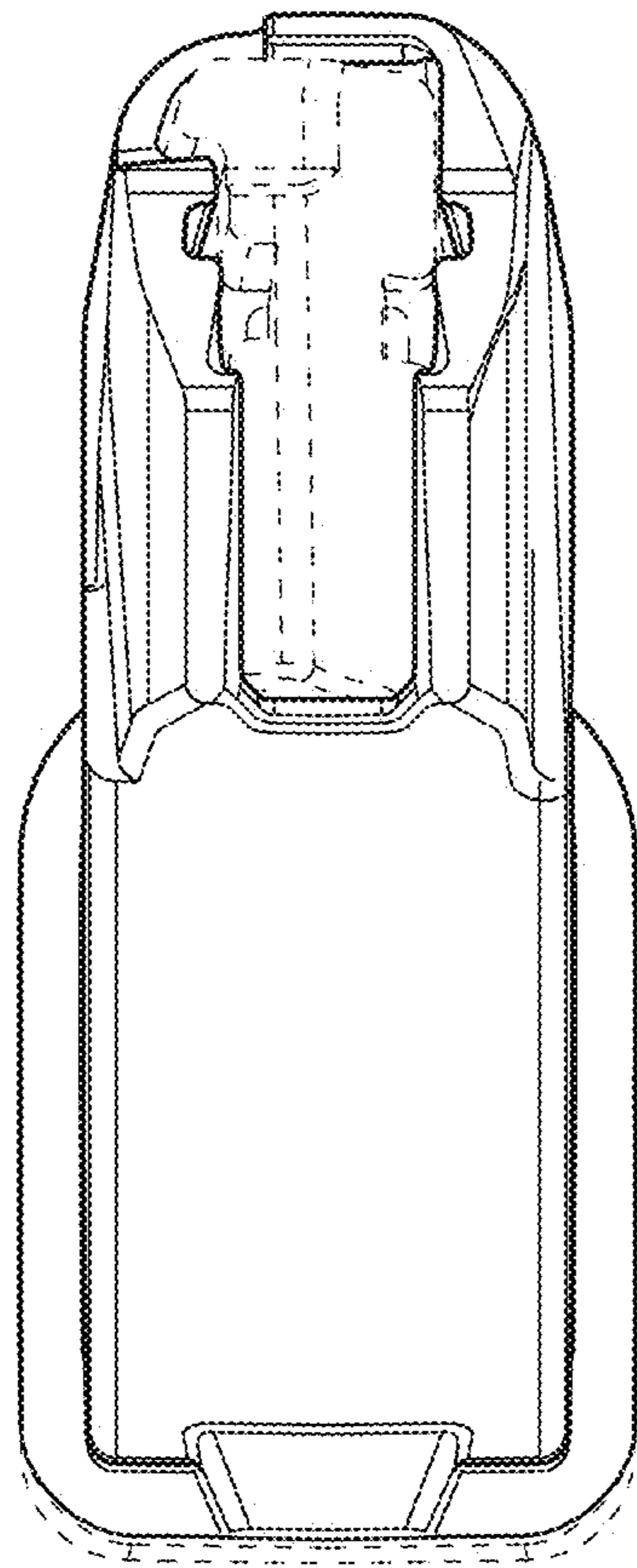


FIG. 7

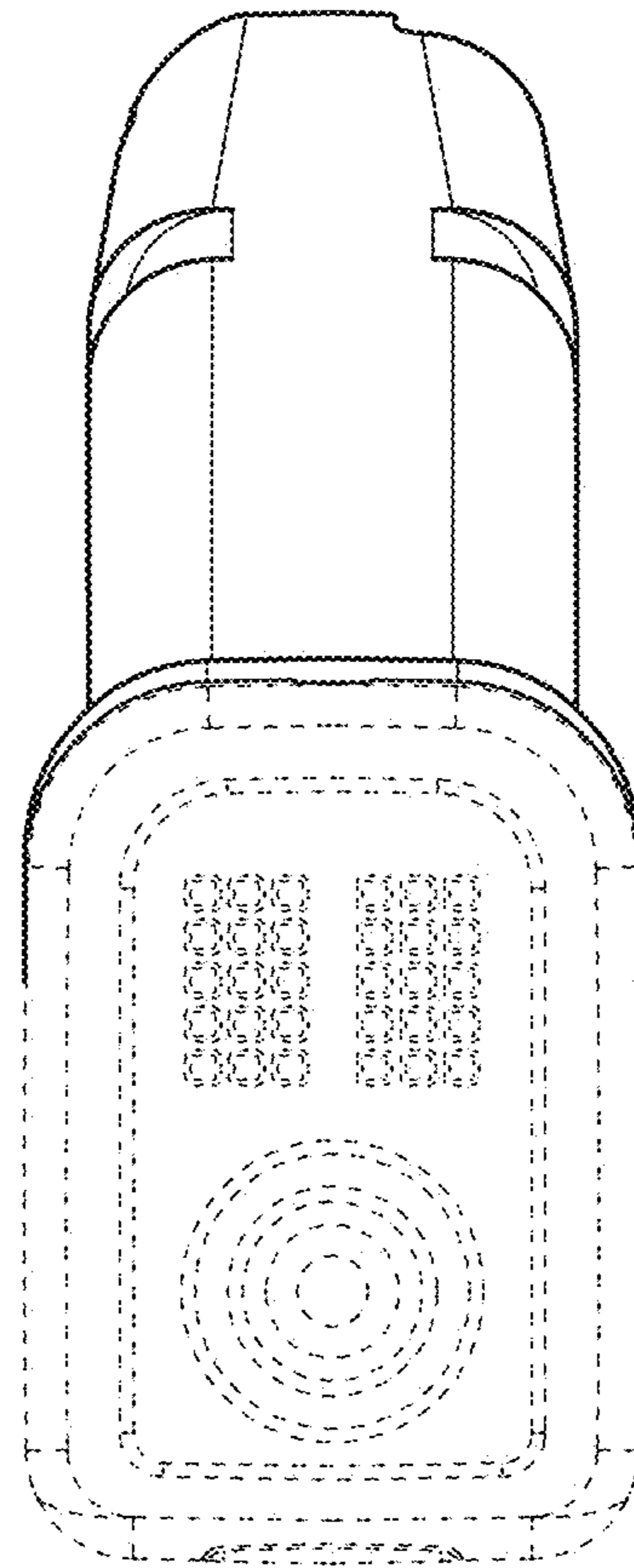


FIG. 8