



US00D748216S

(12) **United States Design Patent**  
**Zusman**

(10) **Patent No.:** **US D748,216 S**  
(45) **Date of Patent:** **\*\* Jan. 26, 2016**

(54) **GUN STOCK**

(71) Applicant: **Nisim Zusman**, Ein Ayala (IL)

(72) Inventor: **Nisim Zusman**, Ein Ayala (IL)

(\*\*) Term: **14 Years**

(21) Appl. No.: **29/496,646**

(22) Filed: **Jul. 15, 2014**

(51) **LOC (10) Cl.** ..... **22-01**

(52) **U.S. Cl.**  
USPC ..... **D22/108**

(58) **Field of Classification Search**

USPC ..... D22/103, 108; D21/572, 573; 42/51,  
42/90, 71.01, 71.02, 73, 75.01, 75.02;  
362/160; 89/40.06, 37.04, 33.04;  
33/334

CPC ..... F41C 23/00; F41C 23/02; F41C 23/04;  
F41C 23/06; F41C 23/08; F41C 23/10;  
F41C 23/12; F41C 23/14; F41C 23/16;  
F41C 23/18; F41C 23/20; F41C 23/22;  
F41C 7/02; F41C 7/04; F41C 7/06; F41C  
7/11; F41C 7/12

See application file for complete search history.

(56) **References Cited**

**U.S. PATENT DOCUMENTS**

294,402 A 3/1884 Onderdonk  
319,613 A 6/1885 Onderdonk

(Continued)

**FOREIGN PATENT DOCUMENTS**

CN 300736403 1/2008

**OTHER PUBLICATIONS**

U.S. Appl. No. 61/360,487, filed Jun. 30, 2010, Zusman.

(Continued)

*Primary Examiner* — Michael A Pratt

(74) *Attorney, Agent, or Firm* — Law Office of Arthur MAntonelli, PLLC.

(57) **CLAIM**

The ornamental design for a gun stock, as shown and described.

**DESCRIPTION**

FIG. 1 is a perspective view of a gun stock in accordance with my new design;

FIG. 2 is a front left bottom perspective view of the gun stock of FIG. 1;

FIG. 3 is a front view of the gun stock of FIG. 1;

FIG. 4 is a rear view of the gun stock of FIG. 1;

FIG. 5 is left side view of the gun stock of FIG. 1;

FIG. 6 is a right side view of the gun stock of FIG. 1;

FIG. 7 is a top view of the gun stock of FIG. 1;

FIG. 8 is a bottom view of the gun stock of FIG. 1;

FIG. 9 is a front left bottom perspective view of the gun stock of FIG. 1 with an illustrative removable accessory stored in the gun stock;

FIG. 10 is a perspective view of another embodiment of a gun stock in accordance with my new design;

FIG. 11 is a front left bottom perspective view of the gun stock of FIG. 10;

FIG. 12 is a front view of the gun stock of FIG. 10;

FIG. 13 is a rear view of the gun stock of FIG. 10;

FIG. 14 is left side view of the gun stock of FIG. 10;

FIG. 15 is a right side view of the gun stock of FIG. 10;

FIG. 16 is a top view of the gun stock of FIG. 10;

FIG. 17 is a bottom view of the gun stock of FIG. 10;

FIG. 18 is a perspective view of another embodiment of a gun stock in accordance with my new design, the gun stock including a removable accessory ammunition magazine;

FIG. 19 is a front left bottom perspective view of the gun stock of FIG. 18;

FIG. 20 is a front view of the gun stock of FIG. 18;

FIG. 21 is a rear view of the gun stock of FIG. 18;

FIG. 22 is a left side view of the gun stock of FIG. 18;

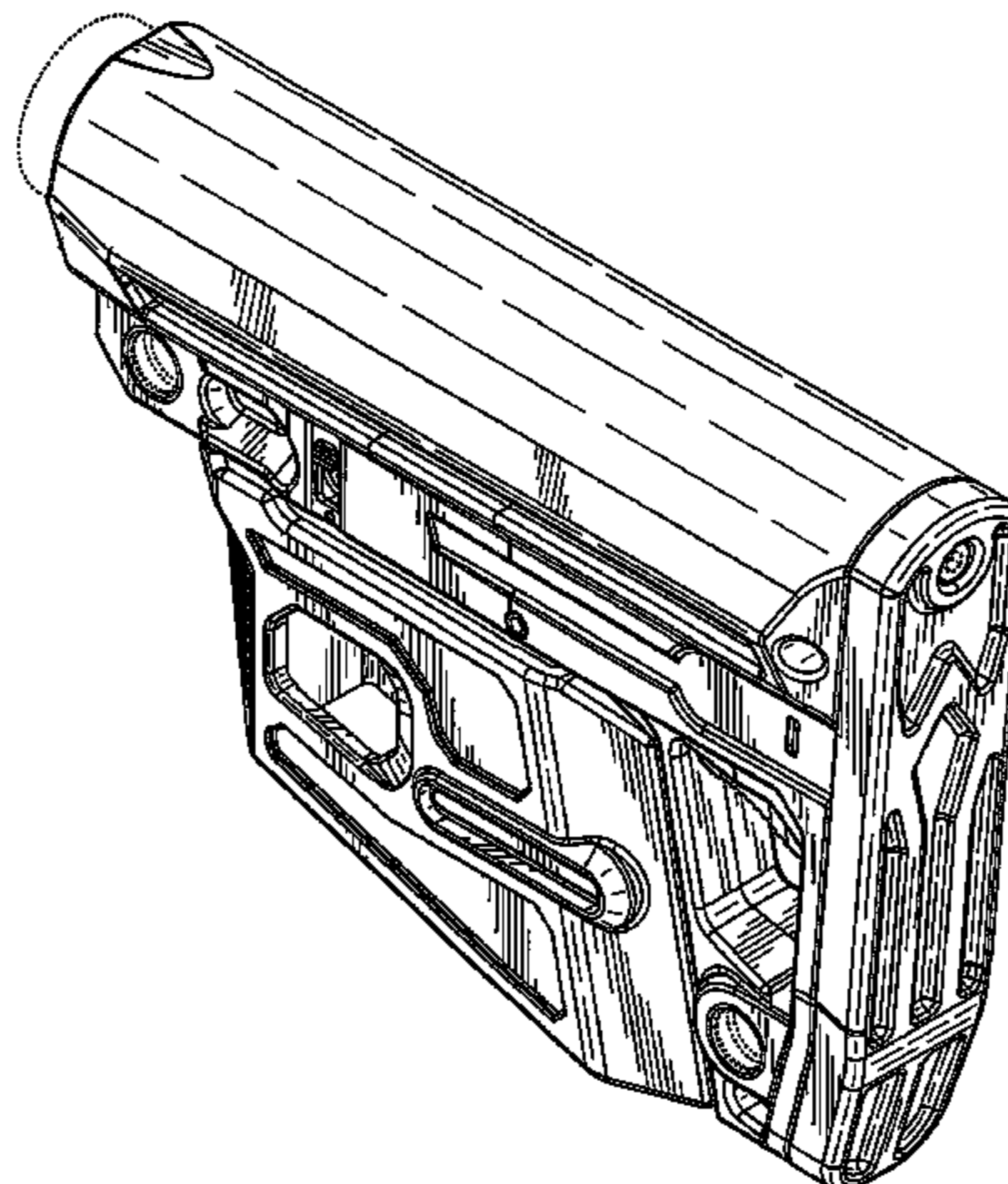
FIG. 23 is a right side view of the gun stock of FIG. 18;

FIG. 24 is a top view of the gun stock of FIG. 18; and,

FIG. 25 is a bottom view of the gun stock of FIG. 18.

The broken lines immediately adjacent the shaded areas represent the bounds of the claimed design while all other broken lines are directed to environment and are for illustrative purposes only; the broken lines form no part of the claimed design.

**1 Claim, 19 Drawing Sheets**



(56)

References Cited

U.S. PATENT DOCUMENTS

436,997 A 9/1890 Quackenbush  
 746,859 A 12/1903 Marble  
 922,173 A 5/1909 Lovelace  
 931,328 A 8/1909 Marble  
 961,511 A 6/1910 Marble  
 1,051,960 A 2/1913 Kennedy  
 1,086,490 A 2/1914 Weathers  
 1,156,293 A 10/1915 Jorgenson  
 1,174,840 A 3/1916 Fisher  
 1,485,456 A 3/1924 Von Frommer  
 1,734,852 A 11/1929 Frampton et al.  
 1,822,875 A 9/1931 Ammann  
 2,098,139 A 11/1937 Foley et al.  
 2,400,422 A 5/1946 Jonhson, Jr.  
 2,433,151 A 12/1947 Parsons  
 2,766,542 A 10/1956 Harvey  
 3,044,204 A 7/1962 Zimmerman  
 3,348,328 A 10/1967 Roy  
 3,618,248 A 11/1971 Into et al.  
 3,618,249 A 11/1971 Grandy  
 4,115,943 A 9/1978 Musgrave  
 4,141,166 A 2/1979 Schultz  
 4,271,623 A 6/1981 Beretta  
 4,327,626 A 5/1982 McQueen  
 4,512,101 A 4/1985 Waterman, Jr.  
 4,551,937 A 11/1985 Seehase  
 4,697,367 A 10/1987 Brophy  
 4,735,007 A 4/1988 Gal  
 D324,557 S 3/1992 Livingston  
 5,209,215 A 5/1993 Morrison  
 5,225,613 A 7/1993 Claridge  
 5,622,000 A 4/1997 Marlowe  
 5,711,102 A 1/1998 Plaster et al.  
 D391,334 S 2/1998 Plaster et al.  
 5,907,918 A 6/1999 Langevin et al.  
 6,598,329 B1 7/2003 Alexander  
 6,598,330 B2 7/2003 Garrett et al.  
 6,651,371 B2 11/2003 Fitzpatrick et al.  
 6,779,289 B2 8/2004 Kay  
 6,829,855 B2 12/2004 Seifert  
 6,839,998 B1 1/2005 Armstrong  
 6,874,267 B2 4/2005 Fitzpatrick et al.  
 6,925,743 B1 8/2005 DiGiovanna  
 7,104,001 B1 9/2006 Digiovanna  
 7,131,228 B2 11/2006 Hochstrate et al.  
 7,152,355 B2 12/2006 Fitzpatrick et al.  
 7,162,822 B1 1/2007 Heayn et al.  
 7,337,573 B1 3/2008 Digiovanna  
 7,398,616 B1 7/2008 Weir  
 7,418,797 B1 9/2008 Crose  
 7,428,794 B2 9/2008 Oz  
 D584,373 S 1/2009 Young  
 D589,578 S 3/2009 Choma  
 D600,308 S 9/2009 Fitzpatrick et al.  
 7,587,852 B1 9/2009 Harms  
 D603,013 S 10/2009 Fitzpatrick et al.  
 D604,794 S 11/2009 Bentley  
 7,610,711 B2 11/2009 Oz  
 7,627,975 B1 12/2009 Hines  
 7,640,688 B2 1/2010 Oz  
 7,647,719 B2 1/2010 Fitzpatrick et al.  
 7,654,187 B2 2/2010 Hochstrate et al.

7,681,351 B2 3/2010 Bucholtz et al.  
 D616,056 S 5/2010 Bentley  
 7,743,544 B2 6/2010 Laney et al.  
 D620,067 S 7/2010 Saur  
 7,762,018 B1 7/2010 Fitzpatrick et al.  
 7,775,150 B2 8/2010 Hochstrate et al.  
 7,805,873 B2 10/2010 Bentley  
 7,810,270 B2 10/2010 Fitzpatrick et al.  
 7,823,313 B2 11/2010 Faifer  
 7,827,722 B1 11/2010 Davies  
 D640,342 S 6/2011 Fitzpatrick et al.  
 8,127,483 B2 3/2012 Kincel  
 8,127,485 B2 3/2012 Kincel  
 D661,366 S 6/2012 Zusman  
 8,191,299 B2 6/2012 Faifer  
 D668,311 S 10/2012 Rogers et al.  
 8,341,868 B2 1/2013 Zusman  
 D676,921 S 2/2013 Fitzpatrick et al.  
 8,387,298 B2 3/2013 Kincel  
 D683,808 S 6/2013 Elkaim  
 8,555,541 B2 10/2013 Ingram  
 8,978,284 B1 3/2015 Zusman  
 2003/0110675 A1 6/2003 Garrett et al.  
 2003/0196366 A1 10/2003 Beretta  
 2003/0200693 A1 10/2003 Seifert  
 2004/0016167 A1 1/2004 Fitzpatrick et al.  
 2005/0108915 A1 5/2005 Kincel  
 2005/0262752 A1 12/2005 Robinson et al.  
 2006/0096146 A1 5/2006 Fitzpatrick et al.  
 2006/0254414 A1 11/2006 Kuczynko et al.  
 2007/0261284 A1 11/2007 Keng  
 2008/0236016 A1 10/2008 Fitzpatrick et al.  
 2008/0236017 A1 10/2008 Fitzpatrick et al.  
 2008/0301994 A1 12/2008 Langevin et al.  
 2009/0139128 A1 6/2009 Fluhr  
 2009/0178325 A1 7/2009 Veilleux  
 2009/0241397 A1 10/2009 Fitzpatrick et al.  
 2009/0255161 A1 10/2009 Fitzpatrick et al.  
 2010/0115817 A1 5/2010 Faifer  
 2010/0180485 A1 7/2010 Cabahug et al.  
 2010/0192444 A1 8/2010 Cabahug et al.  
 2010/0192446 A1 8/2010 Darian  
 2010/0192447 A1 8/2010 Cabahug et al.  
 2010/0205846 A1 8/2010 Fitzpatrick et al.  
 2010/0229444 A1 9/2010 Faifer  
 2010/0251591 A1 10/2010 Burt et al.  
 2010/0275489 A1 11/2010 Cabahug et al.  
 2010/0300277 A1 12/2010 Hochstrate et al.  
 2011/0173863 A1 7/2011 Ingram  
 2011/0192067 A1 8/2011 Troy  
 2012/0000108 A1 1/2012 Zusman  
 2012/0042556 A1 2/2012 Vesligaj  
 2012/0079752 A1 4/2012 Peterson et al.  
 2012/0174455 A1 7/2012 Edelman et al.  
 2012/0174456 A1 7/2012 DePierro et al.  
 2012/0174457 A1 7/2012 Edelman  
 2012/0180353 A1 7/2012 Holmberg  
 2013/0180148 A1 7/2013 Rodgers at al.  
 2014/0360076 A1\* 12/2014 Zamlinsky ..... F41C 23/20  
 42/75.03

OTHER PUBLICATIONS

U.S. Appl. No. 61/417,950, filed Nov. 30, 2010, Zusman.

\* cited by examiner

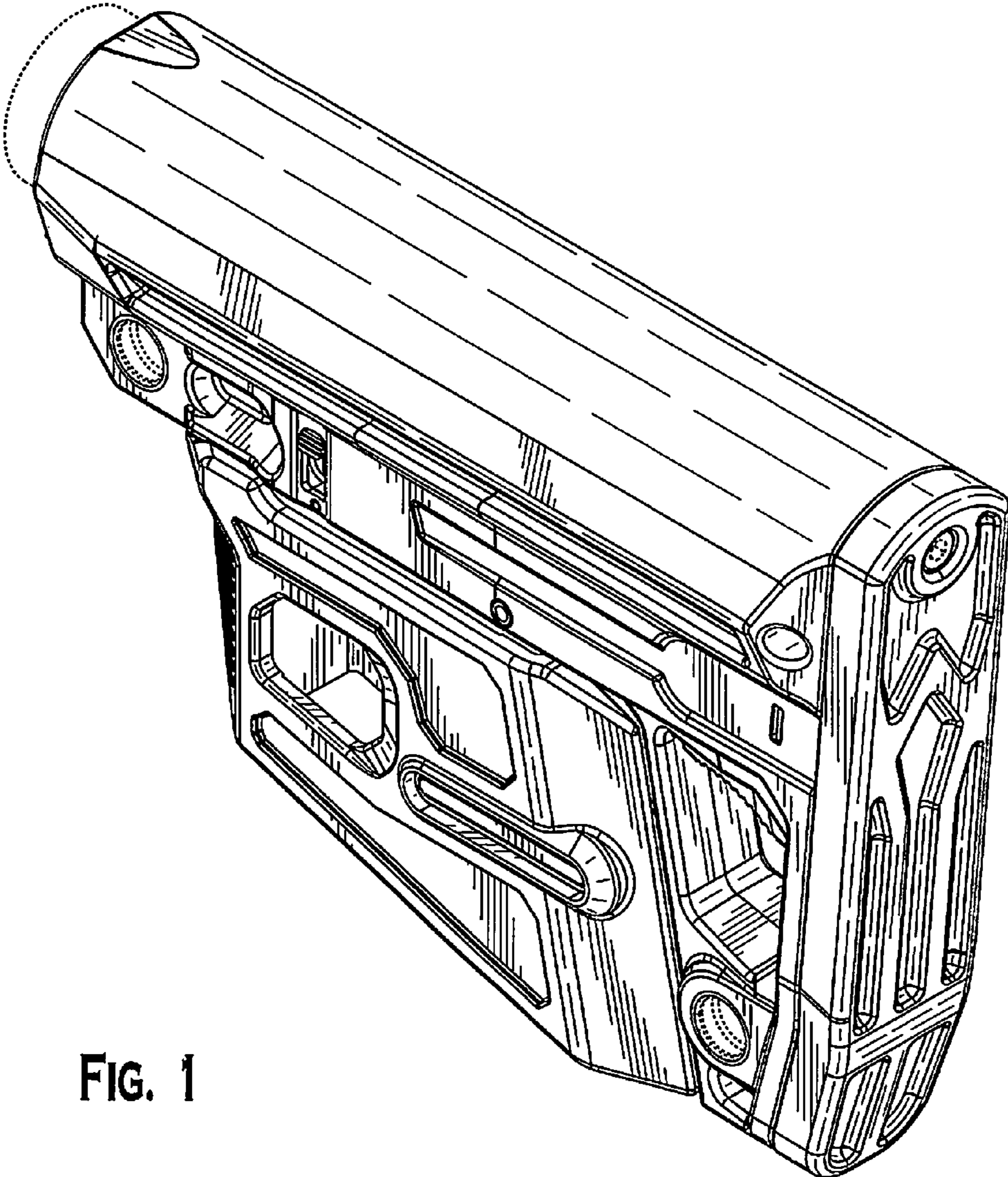


FIG. 1

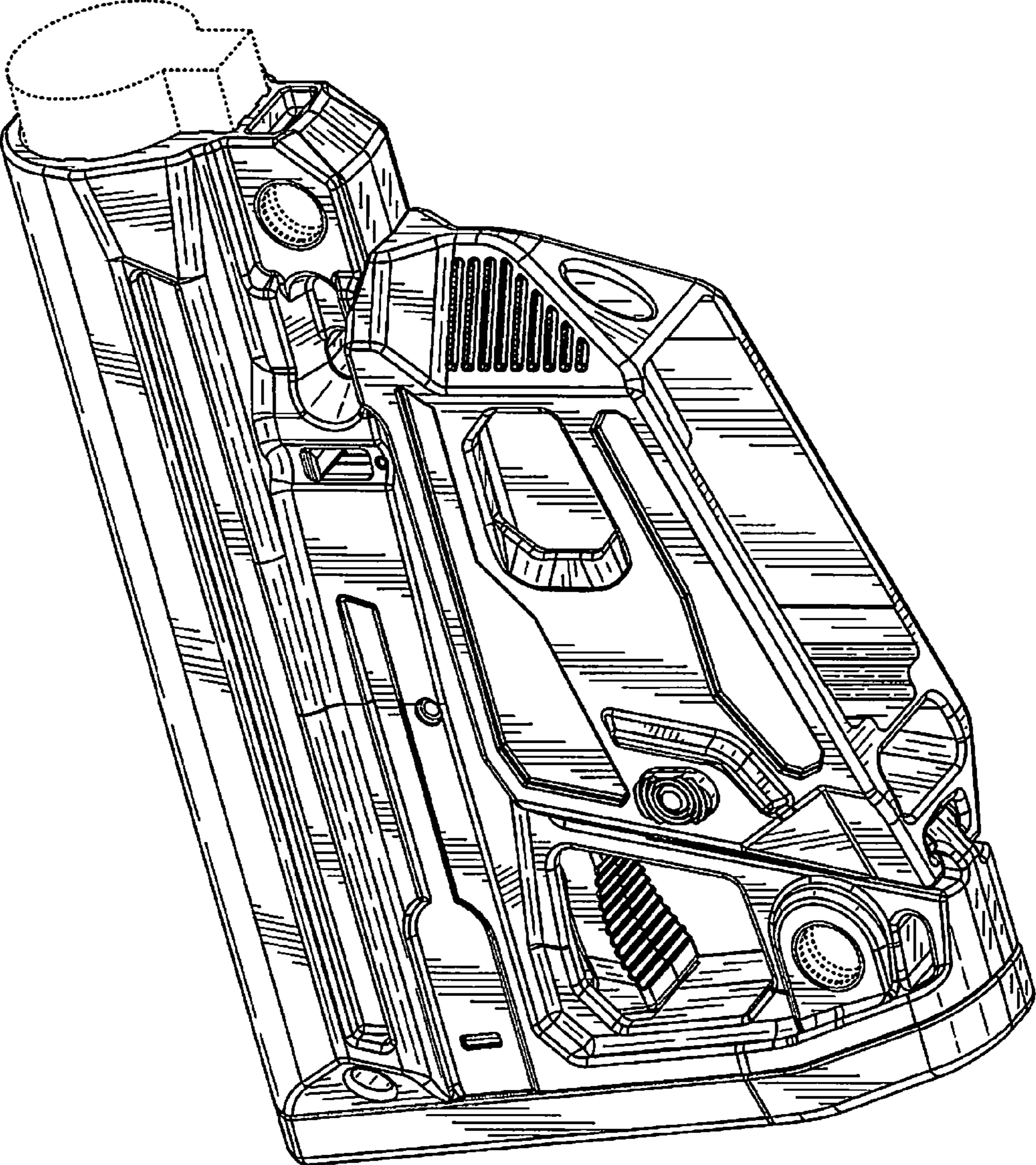
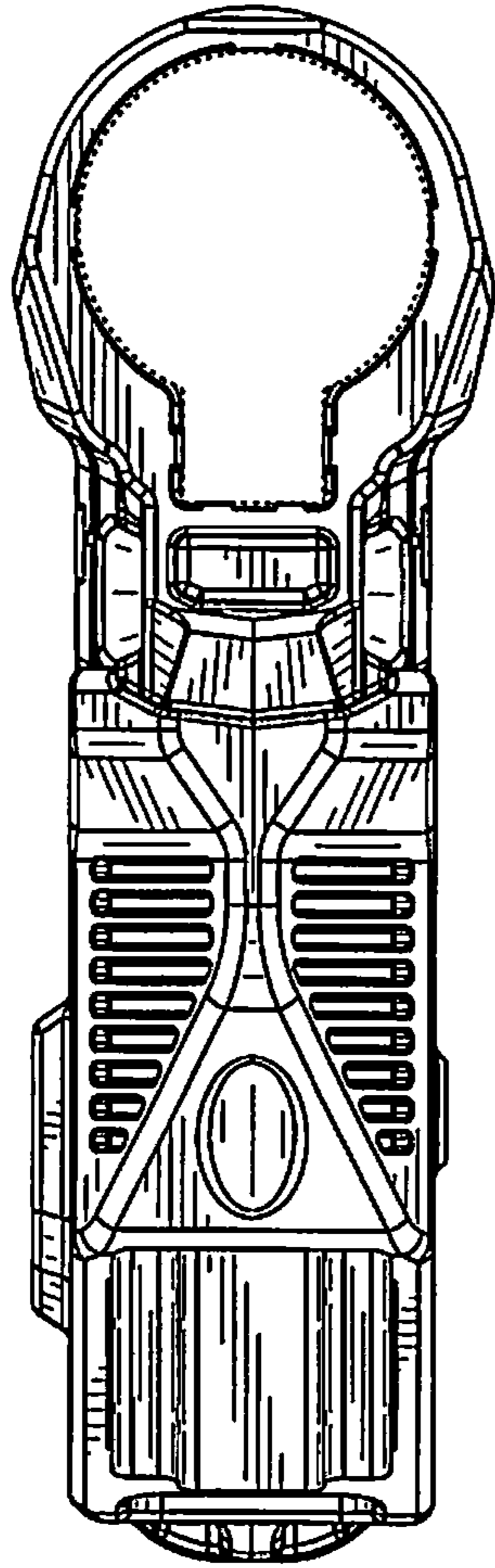
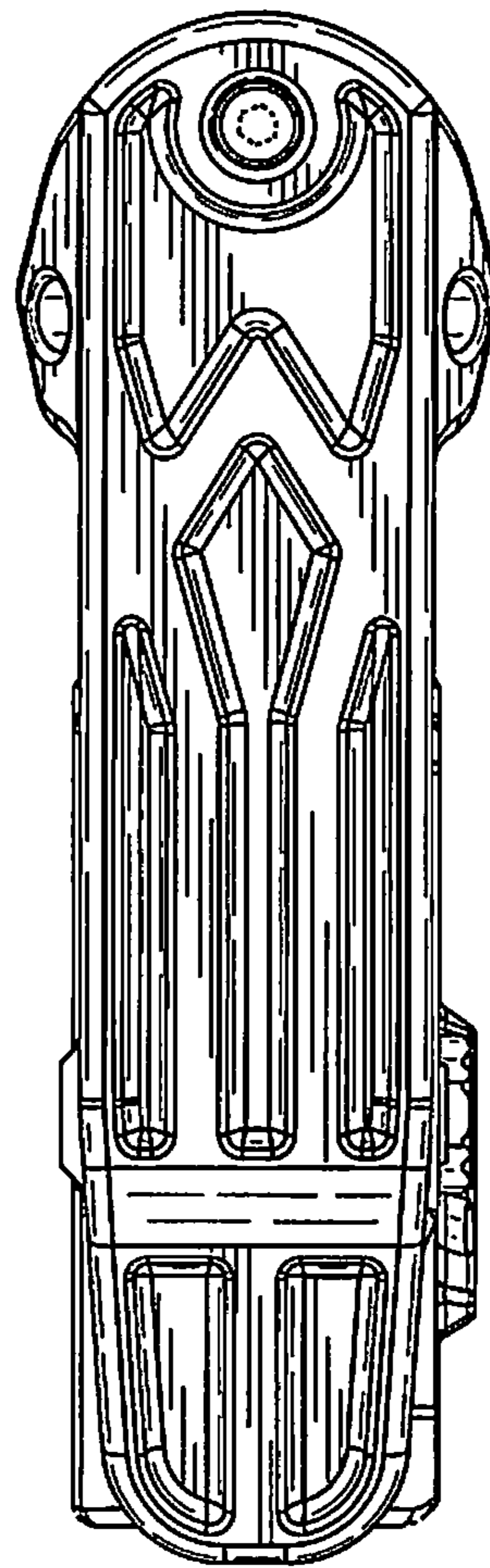


FIG. 2



**FIG. 3**



**FIG. 4**

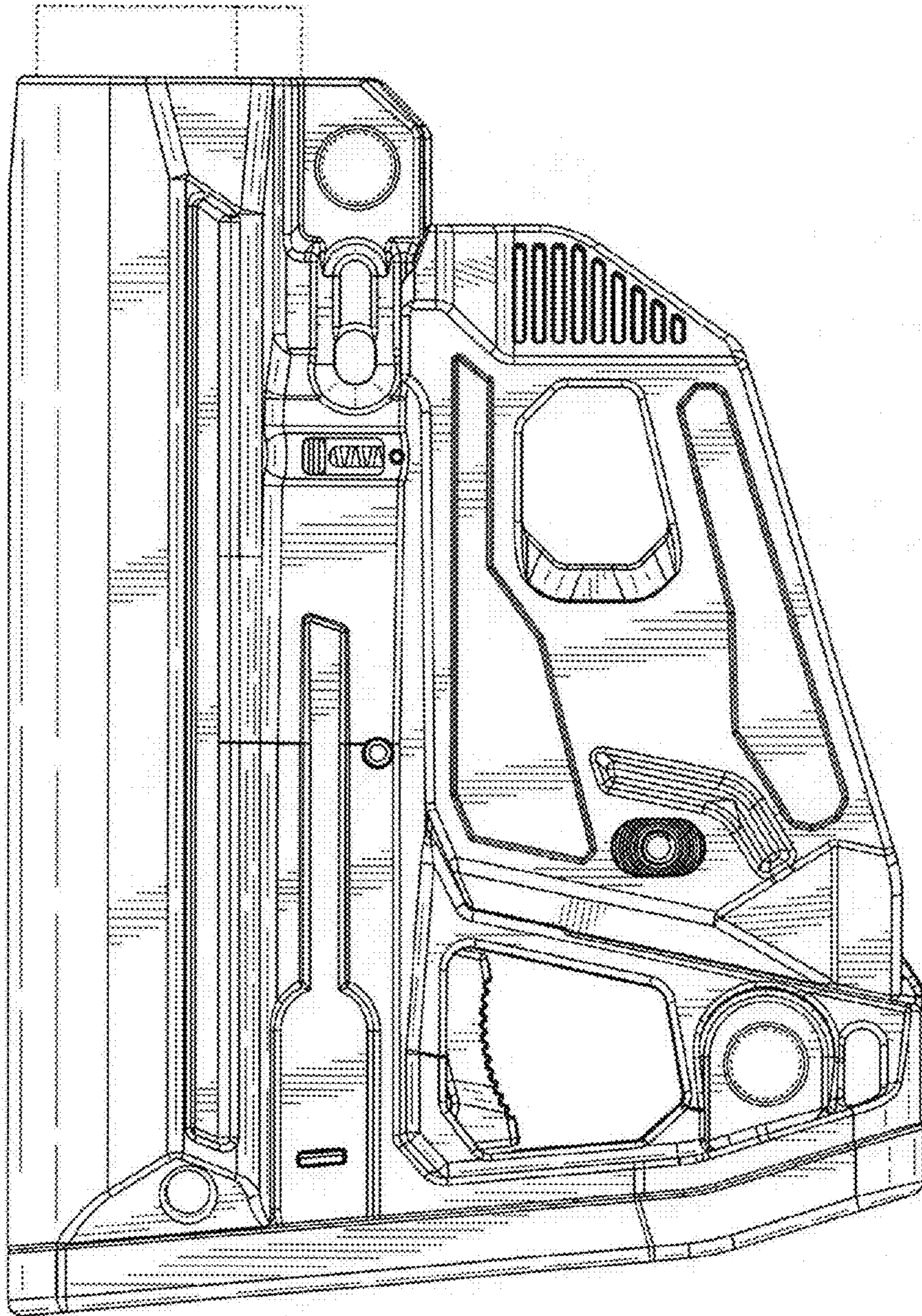


FIG. 5

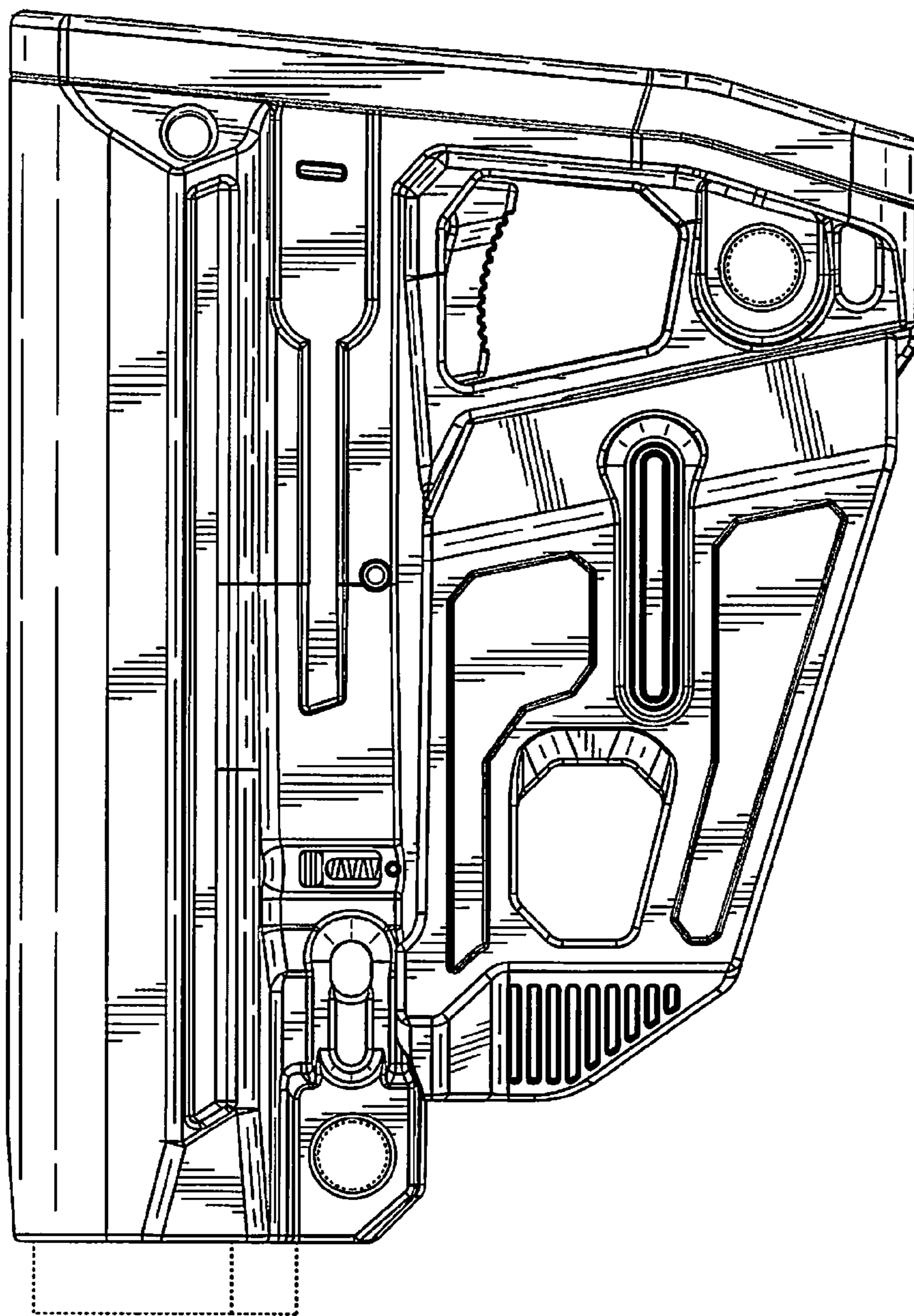


FIG. 6

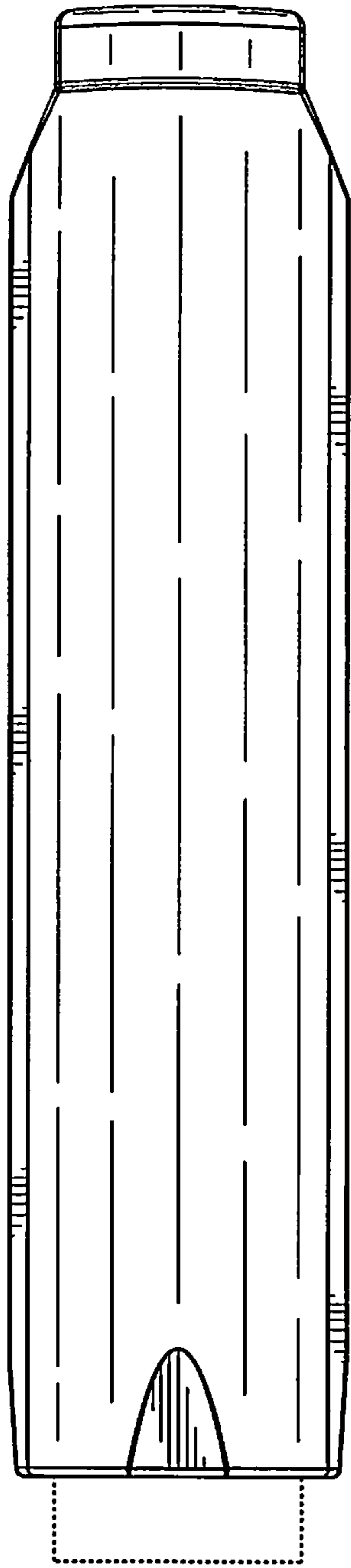


FIG. 7

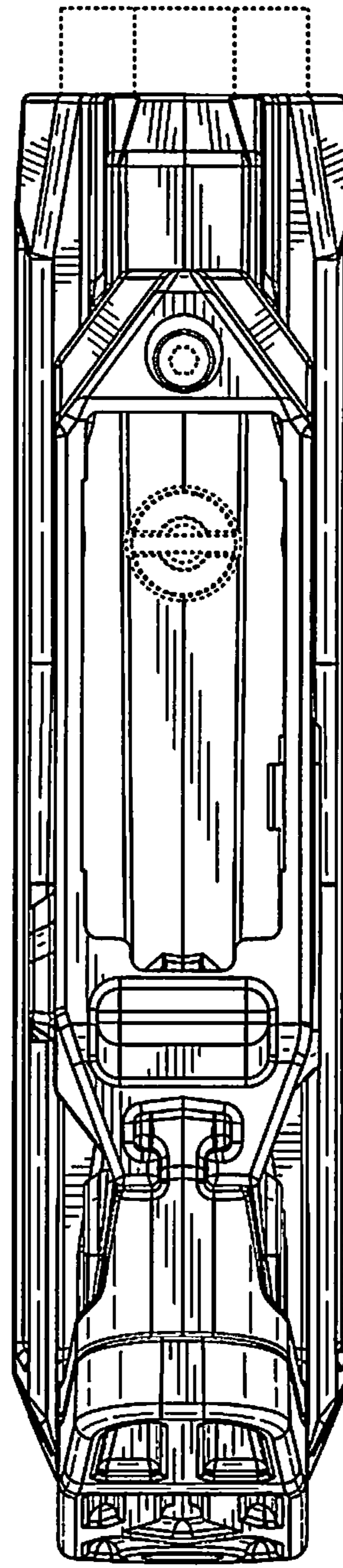


FIG. 8



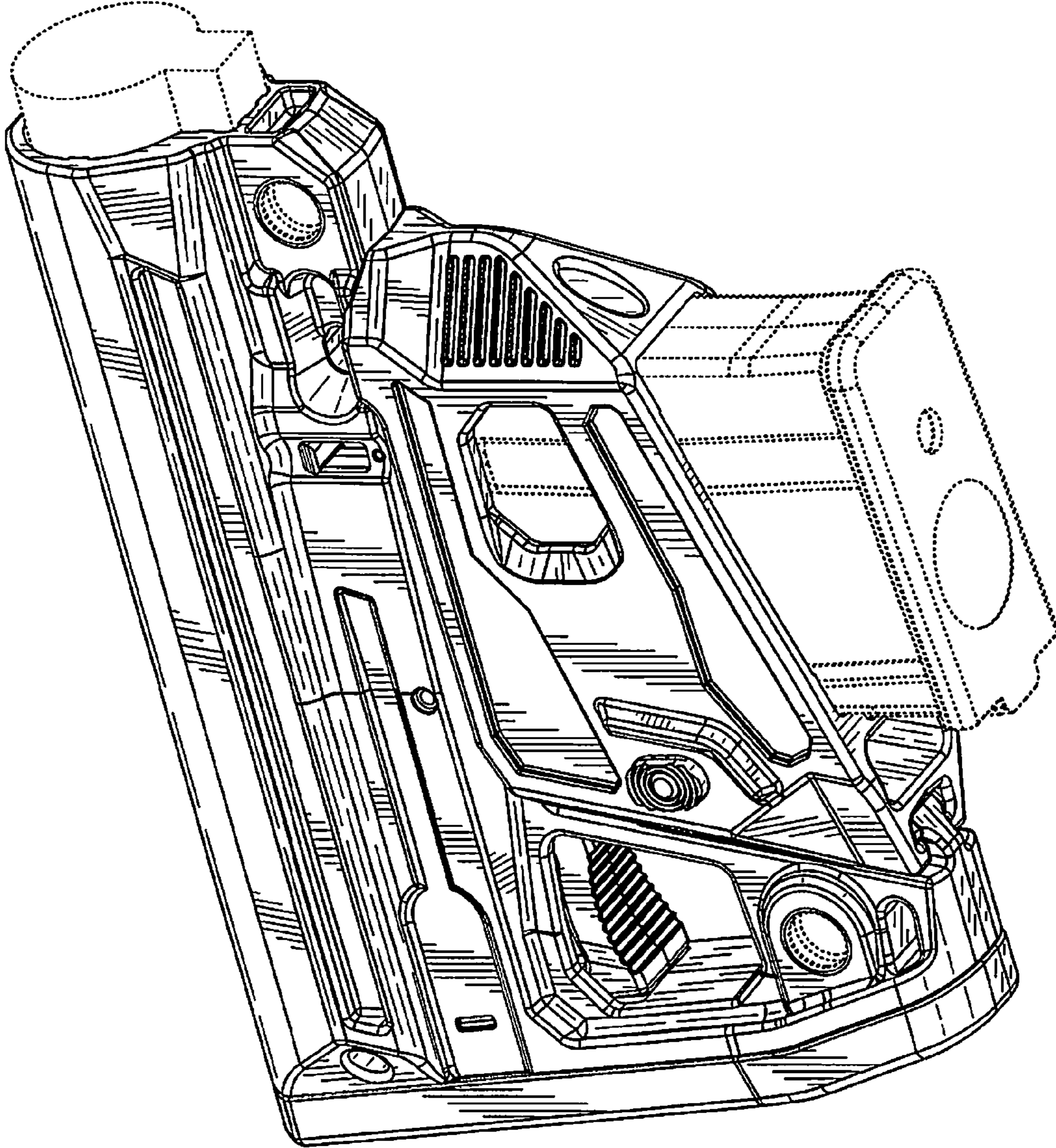


FIG. 9

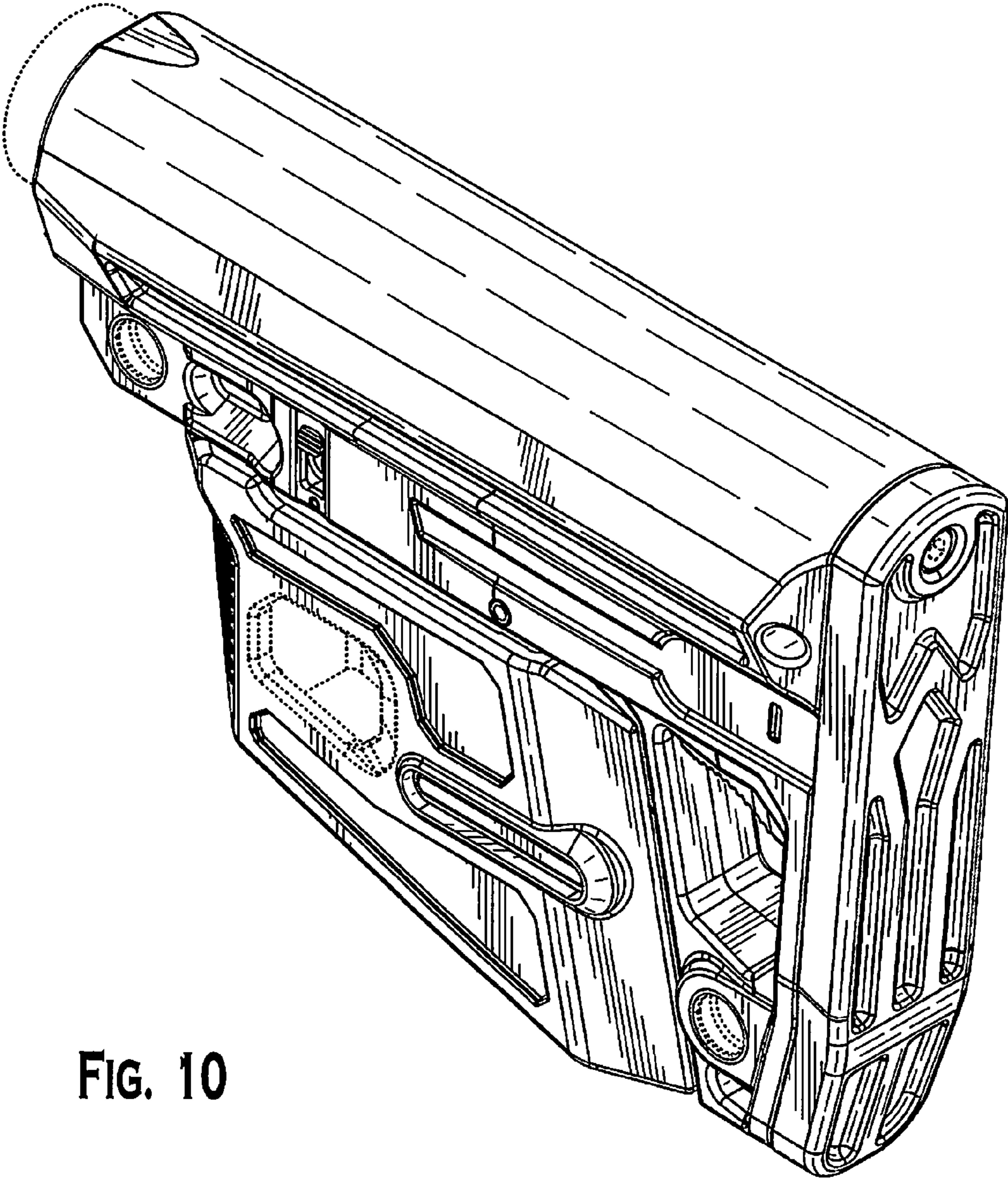


FIG. 10

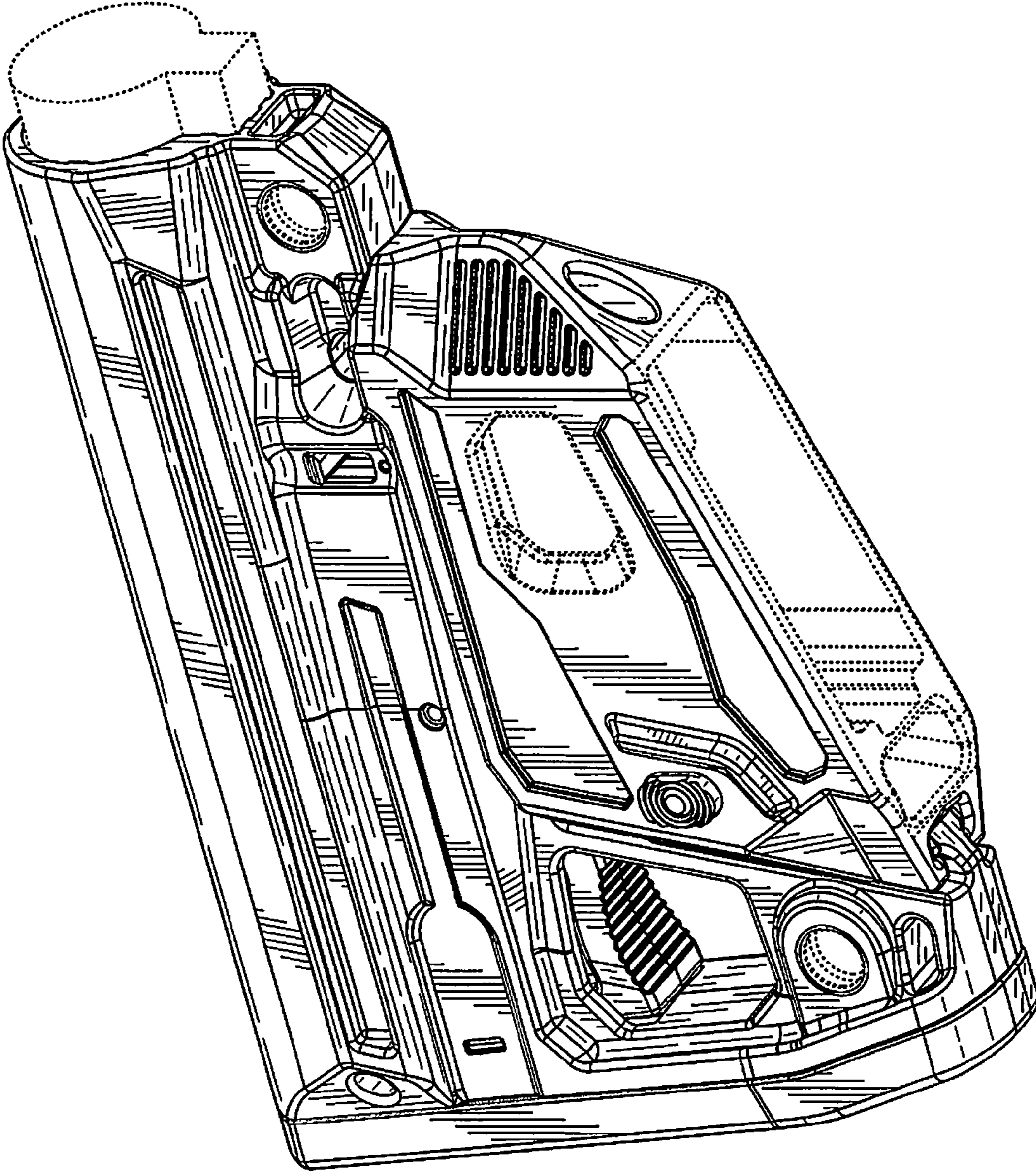


FIG. 11

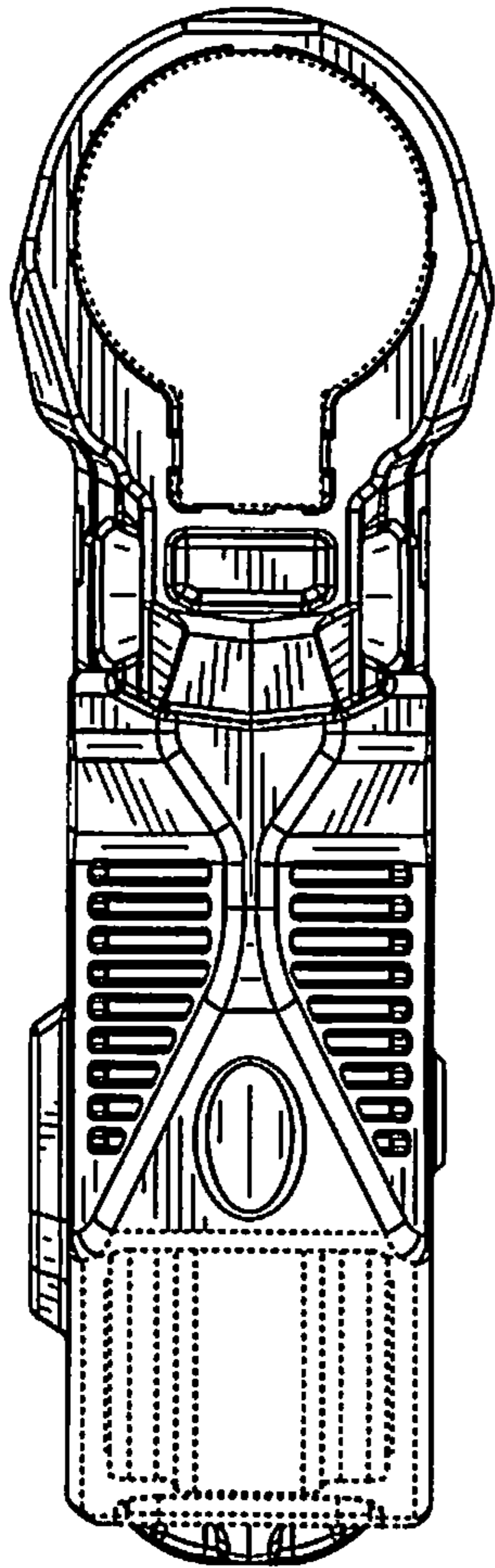


FIG. 12

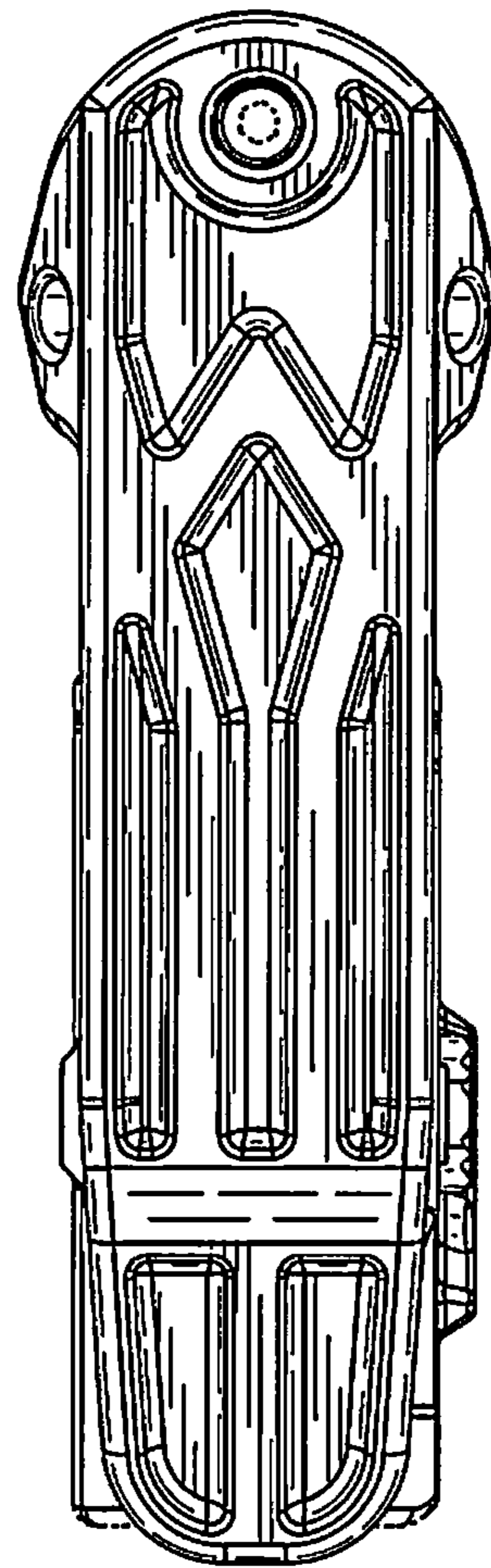


FIG. 13

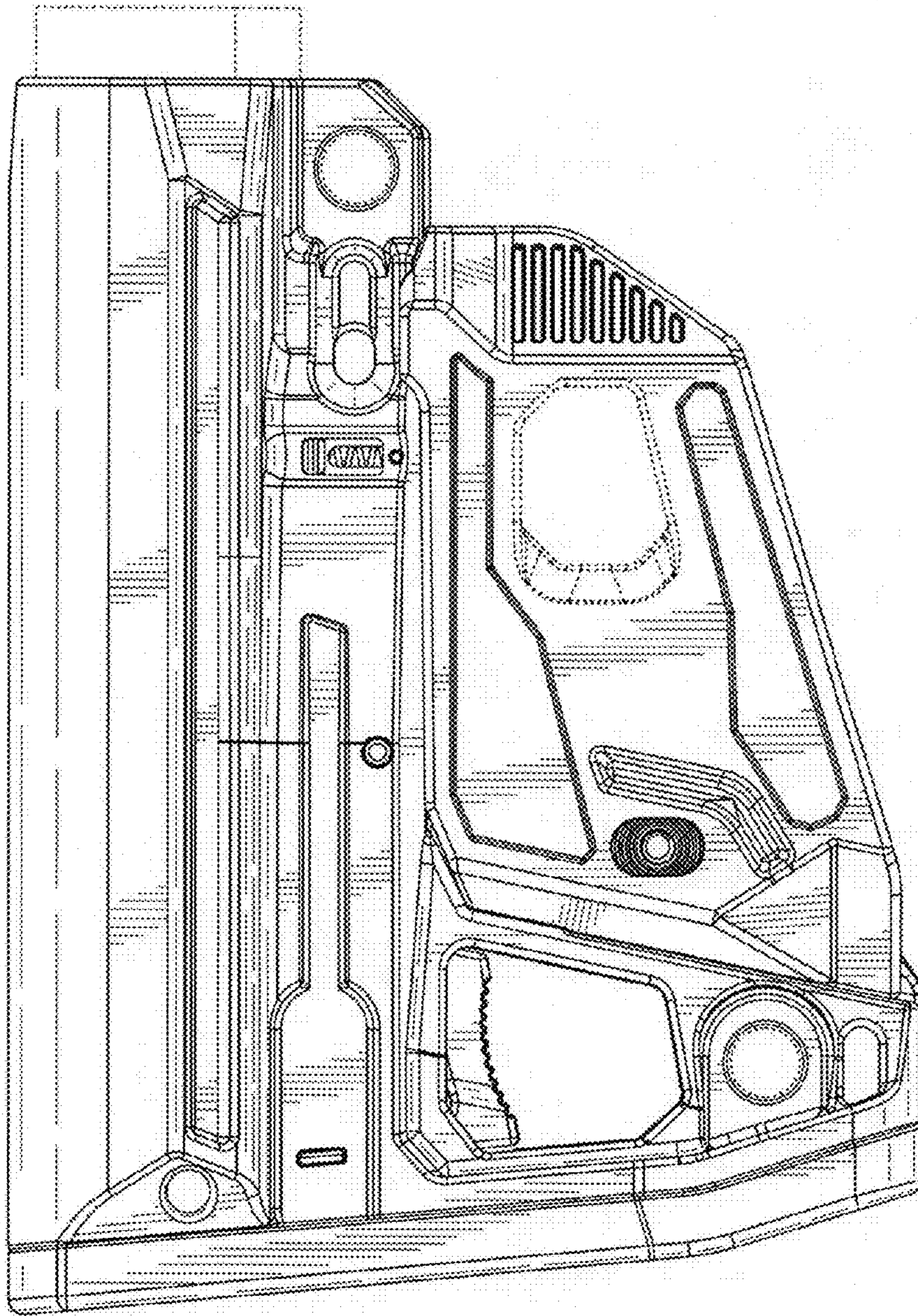


FIG. 14

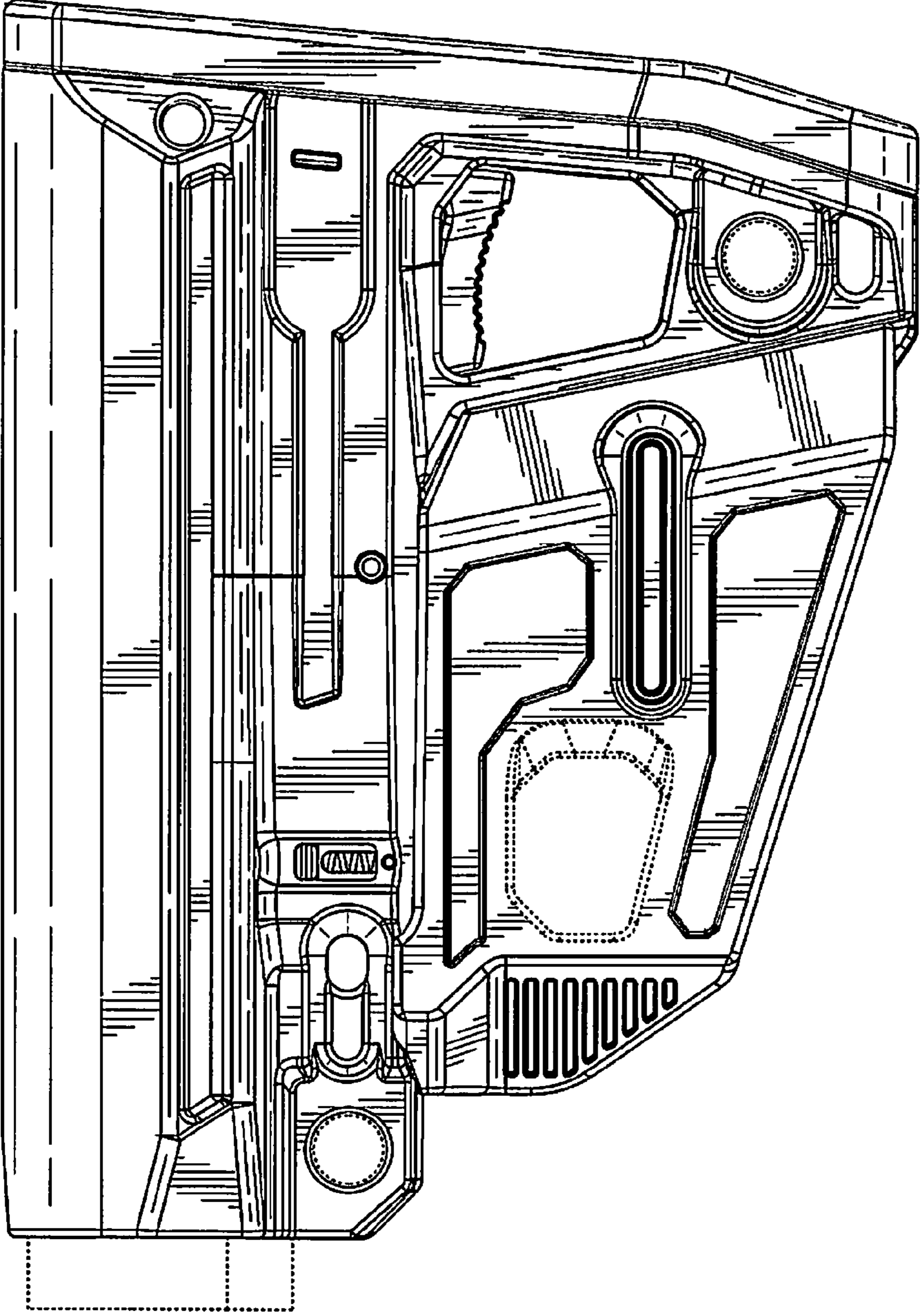


FIG. 15

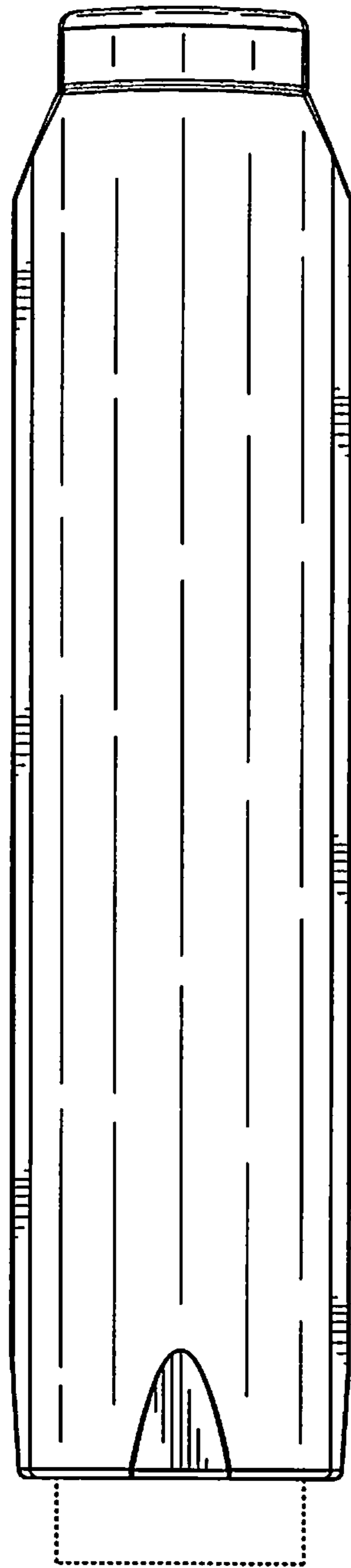


FIG. 16

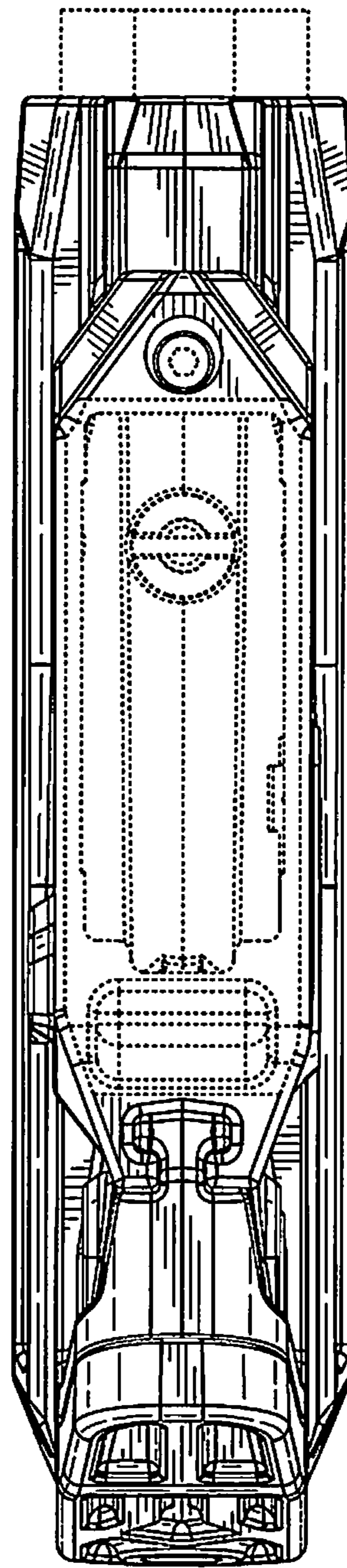


FIG. 17

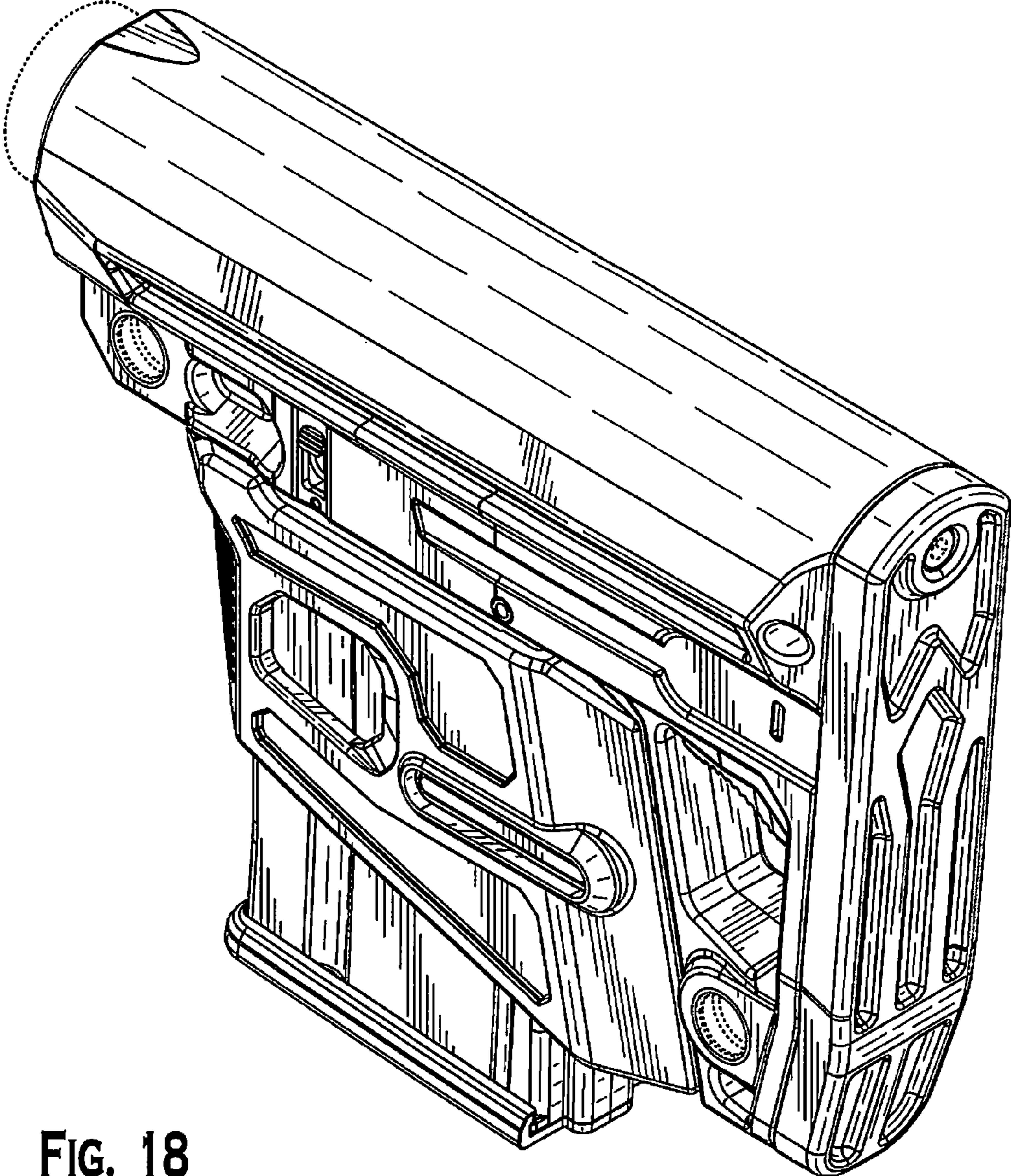


FIG. 18



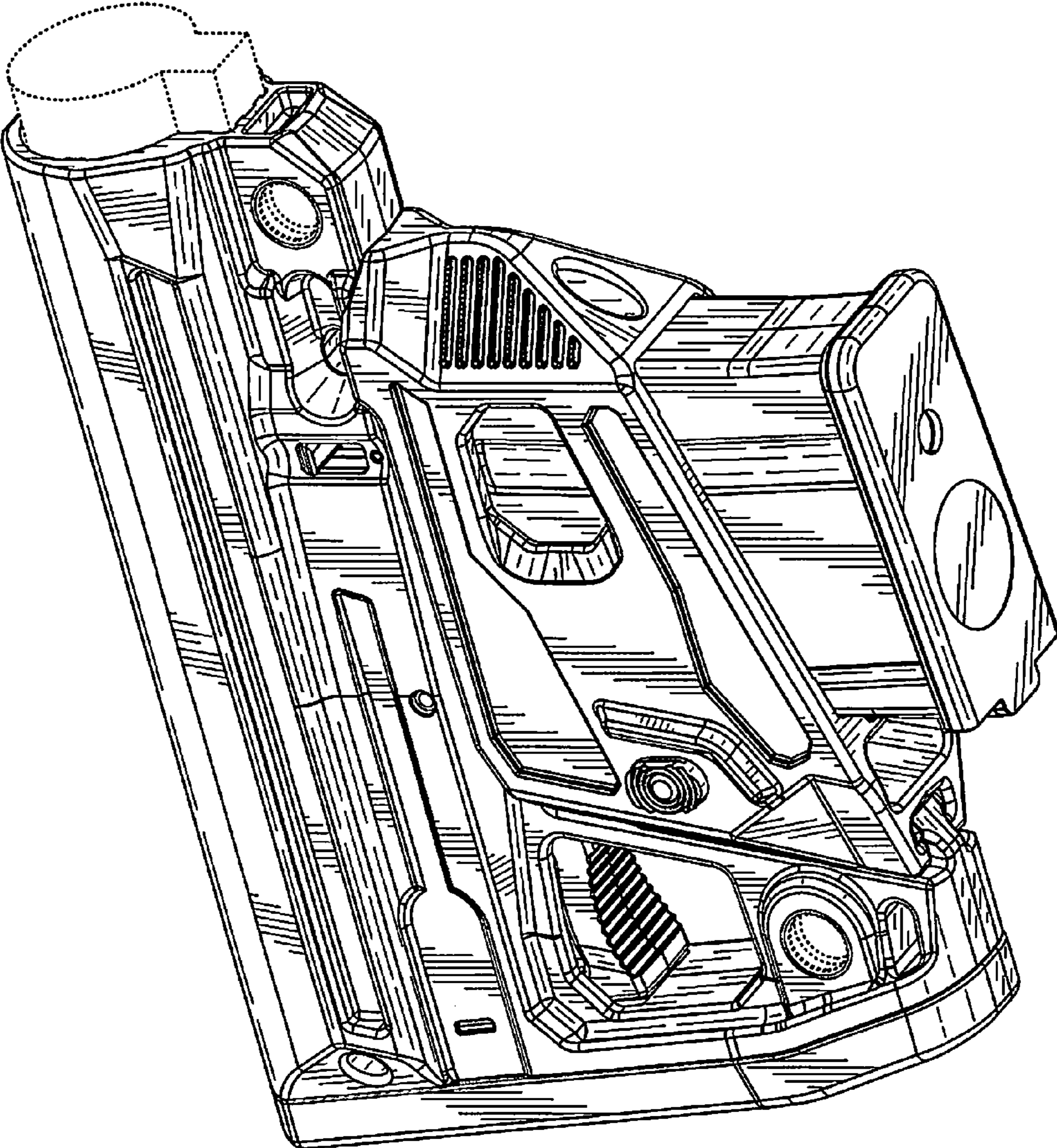


FIG. 19

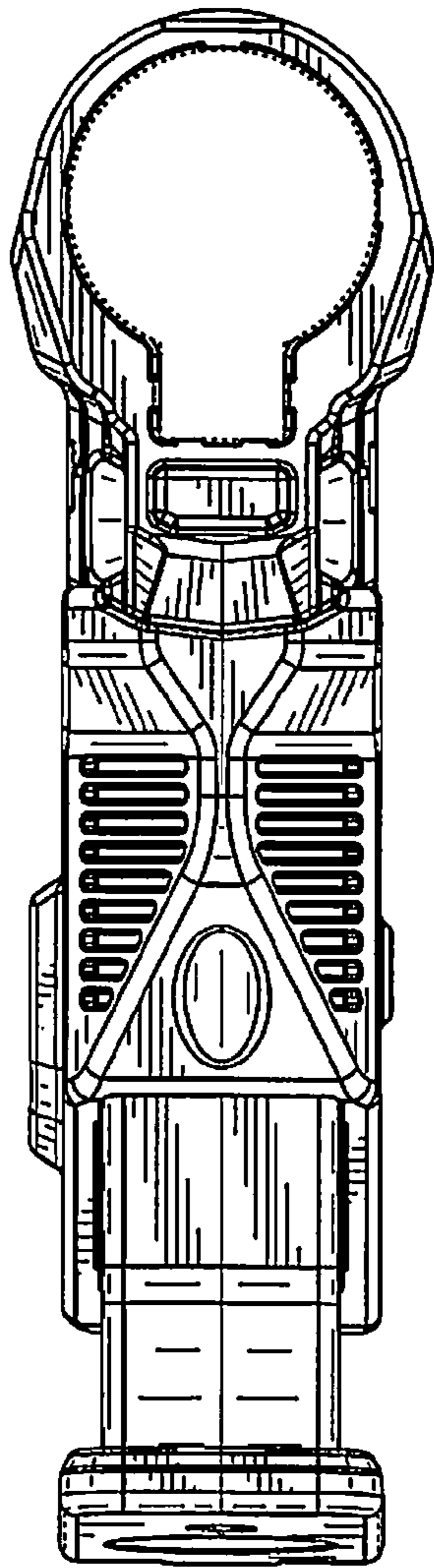


FIG. 20

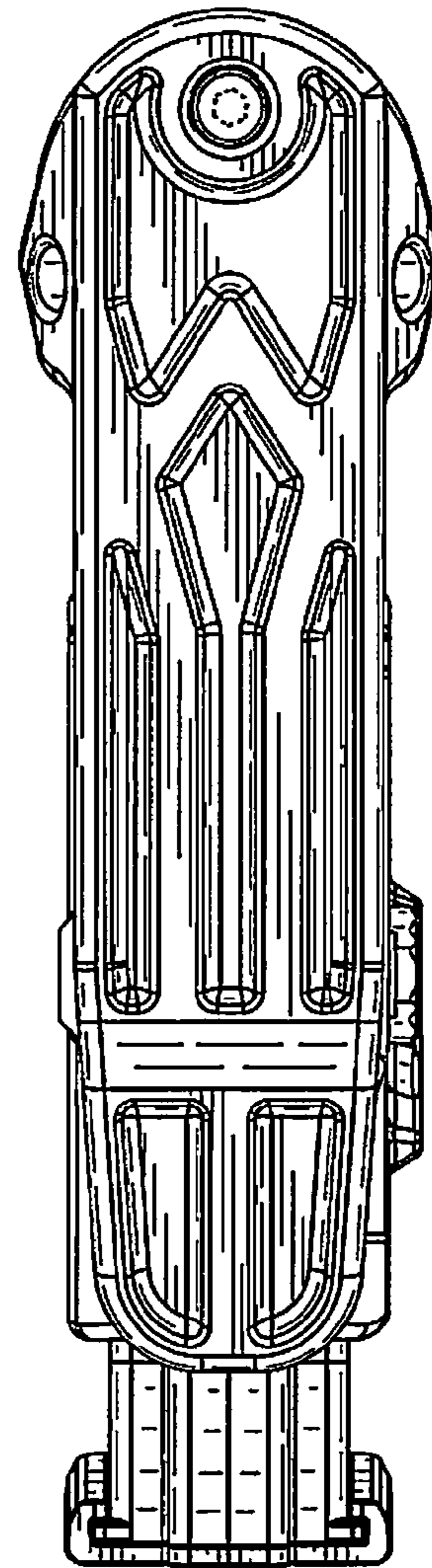


FIG. 21

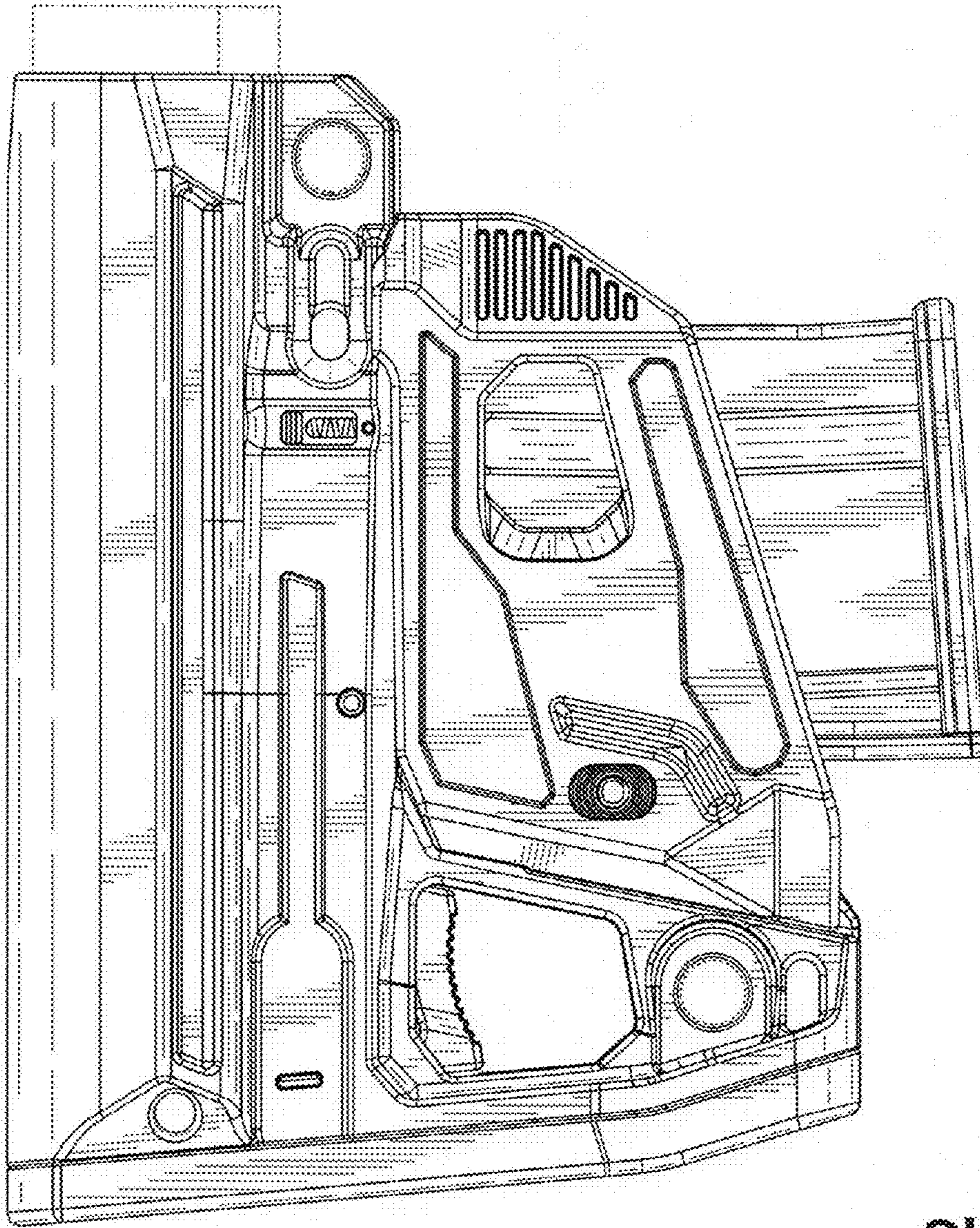


FIG. 22

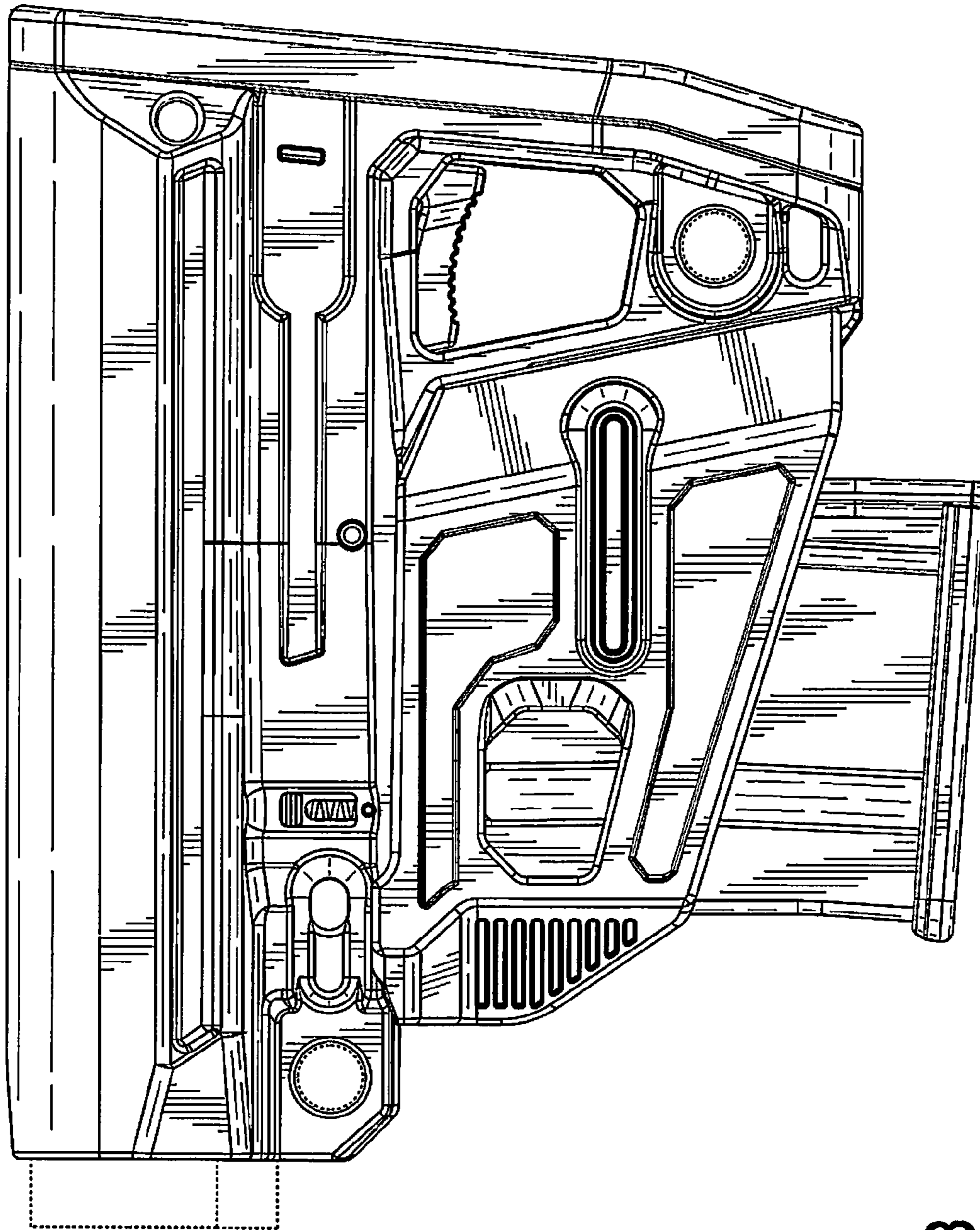


FIG. 23

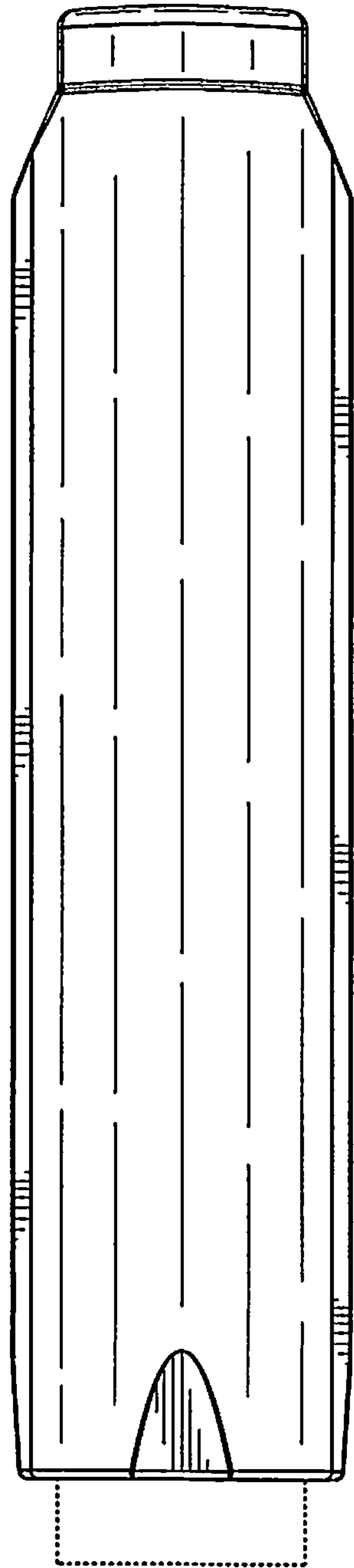


FIG. 24

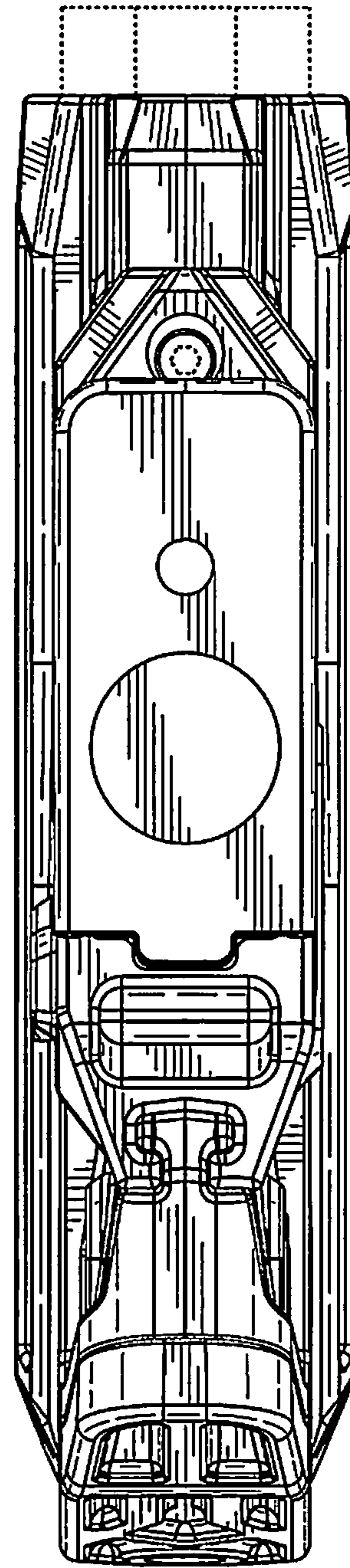


FIG. 25