



US00D748211S

(12) **United States Design Patent**
Gangemi et al.

(10) **Patent No.:** **US D748,211 S**

(45) **Date of Patent:** **** Jan. 26, 2016**

(54) **PAIR OF BARBELL COLLARS**

(71) Applicant: **VENICE GRAVITY WORX, INC.**,
Venice, CA (US)

(72) Inventors: **Carmine Gangemi**, Venice, CA (US);
Alberto Bevacqua, Venice, CA (US)

(73) Assignee: **Venice Gravity Worx, Inc.**, Venice, CA
(US)

(**) Term: **15 Years**

(21) Appl. No.: **29/528,902**

(22) Filed: **Jun. 2, 2015**

Related U.S. Application Data

(62) Division of application No. 29/498,701, filed on Aug.
6, 2014, now Pat. No. Des. 734,407.

(51) **LOC (10) Cl.** **21-02**

(52) **U.S. Cl.**
USPC **D21/681**

(58) **Field of Classification Search**
USPC D21/680, 682, 681, 678, 662, 679, 684;
482/108, 93, 110, 111, 105, 8, 107,
482/106, 139, 94, 104, 140, 109, 51, 70, 74,
482/98, 1; 164/112, 76.1; D9/680; D8/85;
D3/210, 211; D22/112; D11/81; 42/94,
42/72; 99/349, 350, 351, 372, 374, 377,
99/379, 427, 448, 450; 100/104, 110, 193,
100/194, 195; 219/732, 733, 734; 135/65;
426/513, 517, 646; 280/819

CPC A63B 21/0728; A63B 21/078; A63B
21/0724; A63B 21/072; A63B 21/075

See application file for complete search history.

(56) **References Cited**

U.S. PATENT DOCUMENTS

3,468,534 A 9/1969 Donato
3,756,597 A 9/1973 Monti

(Continued)

FOREIGN PATENT DOCUMENTS

WO 2013019226 2/2013

OTHER PUBLICATIONS

International Search Report for PCT/US2014/050003, Apr. 14, 2015.

Primary Examiner — Robert M Spear

Assistant Examiner — Ryan Harvey

(74) *Attorney, Agent, or Firm* — Hankin Patent Law, APC;
Marc E. Hankin; Jimmy Sauz

(57) **CLAIM**

The ornamental design for a pair of barbell collars, as shown
and described.

DESCRIPTION

FIG. 1 is an illustration of a top perspective view of a pair of
barbell collars showing my new design.

FIG. 2 is an illustration of a bottom perspective view thereof.

FIG. 3 is an illustration of a top plan view thereof.

FIG. 4 is an illustration of a bottom plan view thereof.

FIG. 5 is an illustration of a left side elevational view thereof.

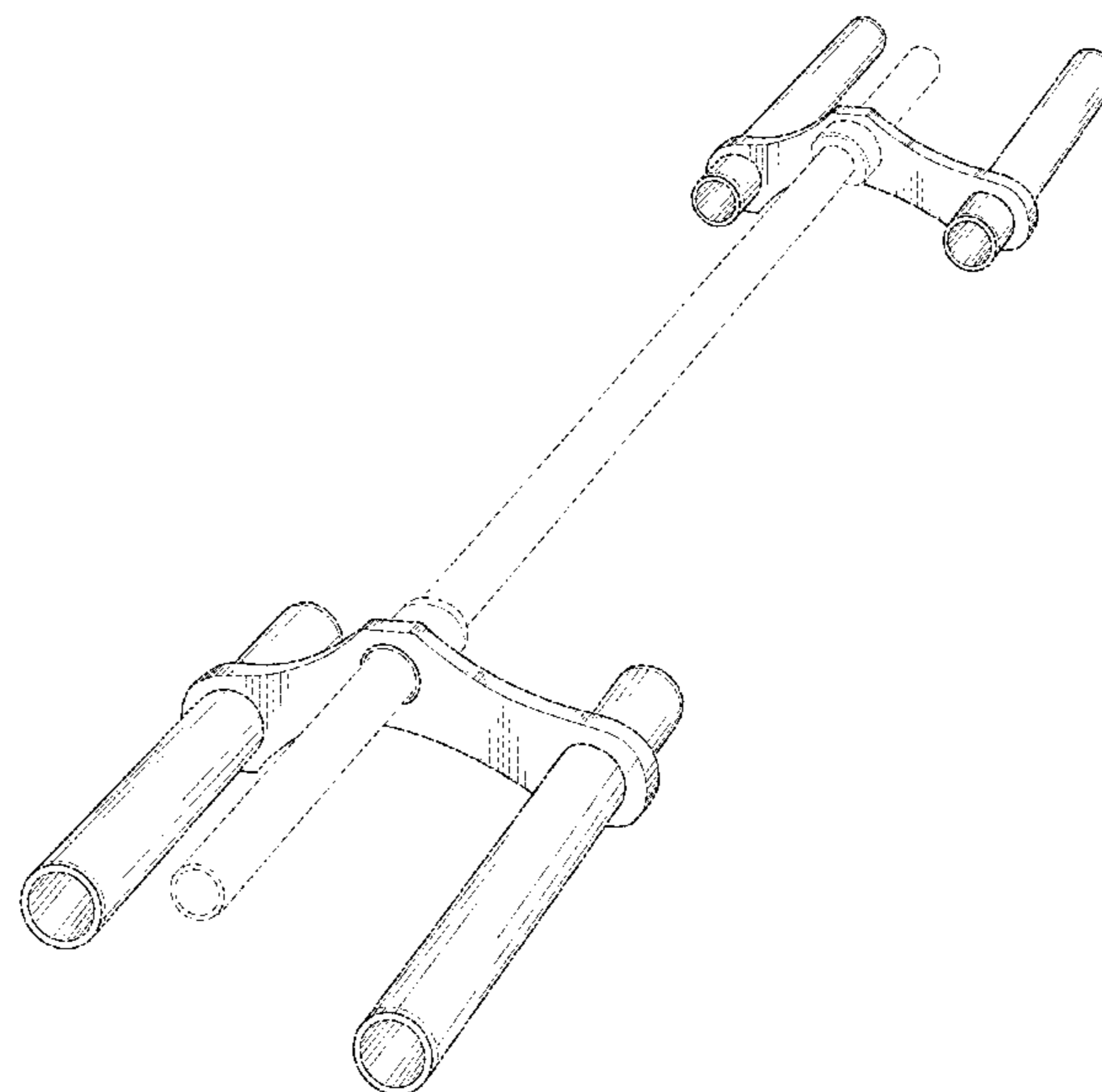
FIG. 6 is an illustration of a right side elevational view
thereof.

FIG. 7 is an illustration of a rear elevational view thereof; and,

FIG. 8 is an illustration of a front elevational view thereof.

The broken lines showing a barbell of the pair of barbell
collars are for the purpose of illustrating environmental struc-
ture and unclaimed subject matter and form no part of the
claimed design.

1 Claim, 8 Drawing Sheets



(56)

References Cited

U.S. PATENT DOCUMENTS

3,761,083	A *	9/1973	Buchner	A63B 21/05 482/126	8,047,975	B1	11/2011	Chen	
D234,309	S *	2/1975	Buchner	482/126	D657,010	S	4/2012	Cen	
3,904,198	A	9/1975	Jones			D685,865	S	7/2013	Kuhn	
4,231,569	A	11/1980	Rae			D686,286	S	7/2013	Orakwusi	
D261,788	S	11/1981	Burns			8,500,609	B1	8/2013	Williams	
4,605,222	A *	8/1986	Shannon	A63B 21/0724 482/106	8,574,136	B1 *	11/2013	Burstrom A63B 9/0057 482/108
4,647,038	A	3/1987	Noffsinger			2003/0130096	A1 *	7/2003	LaCroce A63B 21/0724 482/106
4,867,444	A	9/1989	Castillo			2005/0113219	A1 *	5/2005	Pierre, II A63B 21/00043 482/121
D306,332	S	2/1990	Mayfield			2005/0250619	A1 *	11/2005	Daikeler A63B 1/00 482/40
5,029,849	A	7/1991	Nurkowski			2006/0040802	A1 *	2/2006	Vittone A63B 21/0724 482/106
D327,927	S *	7/1992	Foley	D21/681	2006/0105890	A1	5/2006	Logue	
5,152,731	A	10/1992	Troutman			2006/0276314	A1	12/2006	Wilson	
D346,821	S *	5/1994	Smith	347/88	2008/0220951	A1	9/2008	Webber	
D348,706	S *	7/1994	Harrell	D21/691	2011/0190098	A1 *	8/2011	Griswold A63B 1/00 482/40
5,344,375	A	9/1994	Cooper			2012/0094810	A1	4/2012	Anderson	
D365,861	S *	1/1996	Moss, Jr.	D21/679	2012/0115683	A1 *	5/2012	Ross A63B 21/1469 482/38
6,022,300	A	2/2000	Hightower			2012/0115684	A1 *	5/2012	Nguyen A63B 23/1218 482/40
D433,468	S	11/2000	Rojas			2012/0208681	A1	8/2012	Anderson	
D437,015	S	1/2001	Rojas			2013/0035218	A1	2/2013	Wierszewski	
6,663,542	B1	12/2003	Trabbic			2014/0018214	A1	1/2014	Jordan	
7,056,268	B2	6/2006	Emick			2014/0045660	A1	2/2014	Qiuguo Zhu	
7,108,636	B1 *	9/2006	Garcia	A63B 21/1627 482/139	2014/0094347	A1	4/2014	Orakwusi	
D574,117	S *	7/2008	McGregory	D11/146	2014/0162850	A1	6/2014	Chen	
D583,883	S	12/2008	Thomas			2014/0187392	A1	7/2014	Renk	
7,789,814	B1	9/2010	Xu			2014/0200119	A1	7/2014	Sides, Jr.	
D626,187	S *	10/2010	Friedman	D21/679	2014/0287889	A1 *	9/2014	Grace A63B 21/0728 482/106
D633,961	S *	3/2011	Loew	D21/679					
D644,073	S	8/2011	Nottke							
8,025,615	B1 *	9/2011	Sargent	A63B 21/0552 482/139					

* cited by examiner

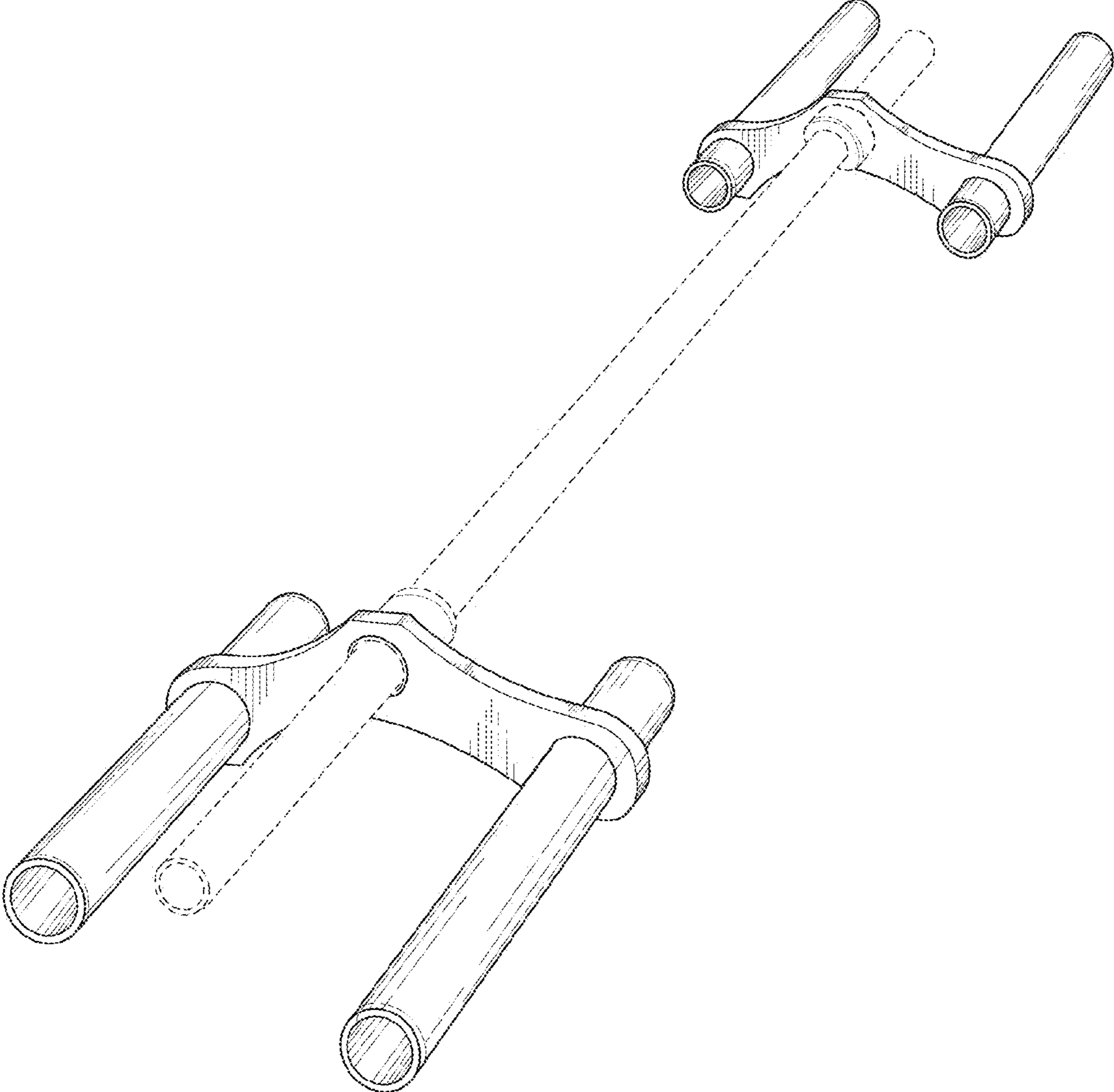


FIG. 1

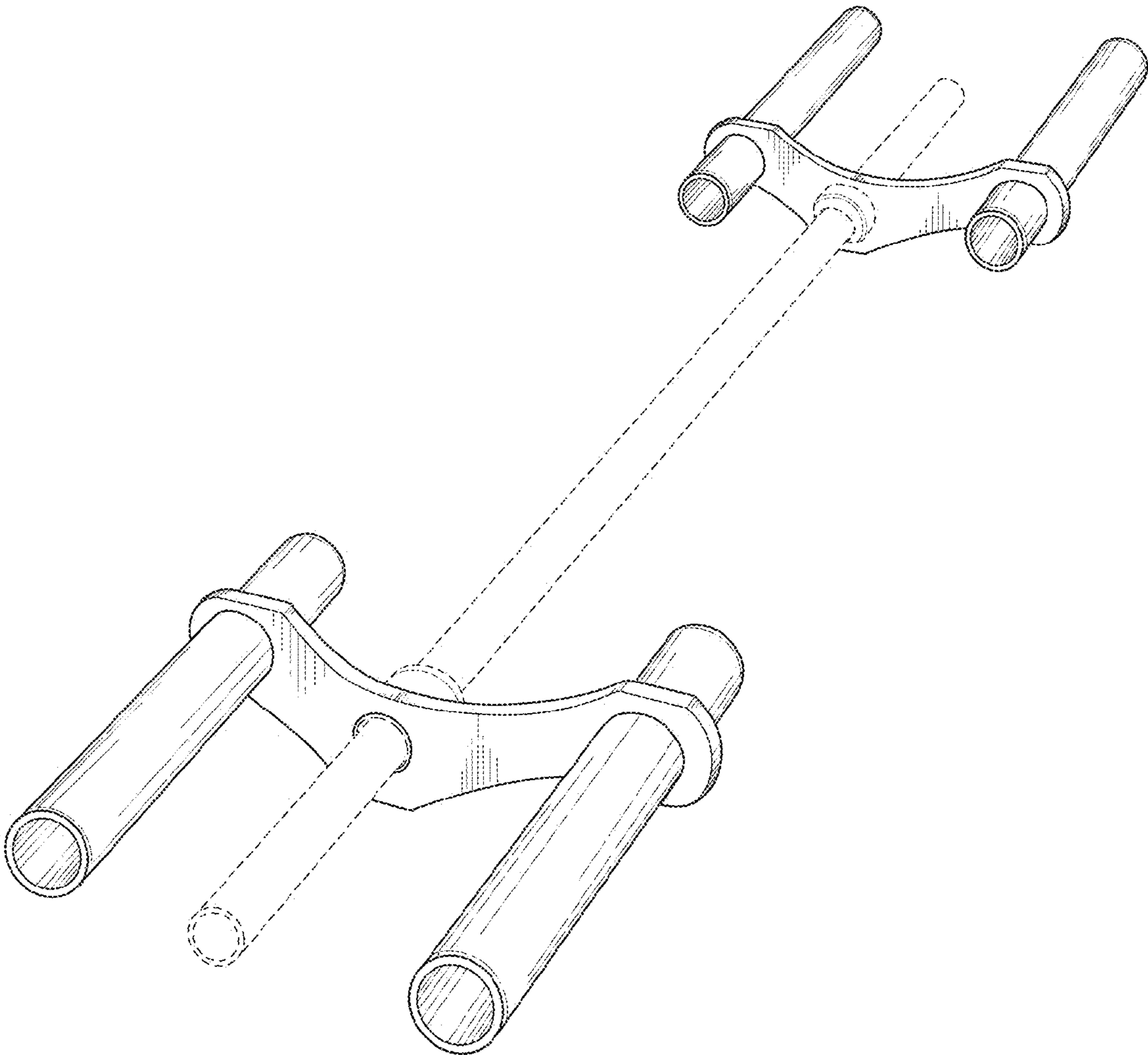


FIG. 2

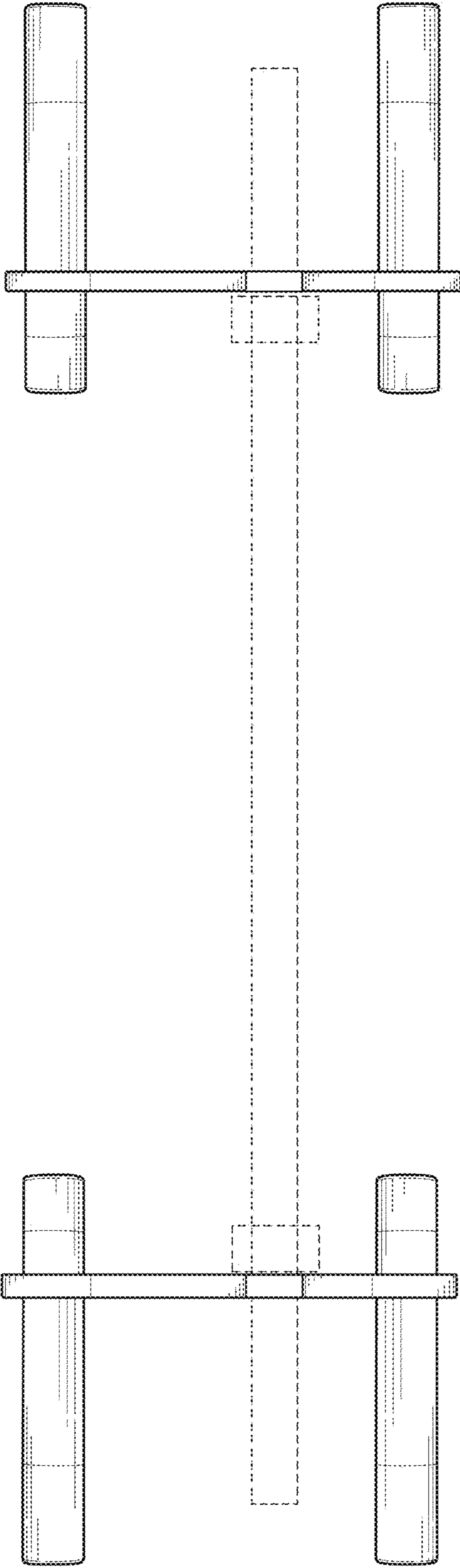


FIG. 3

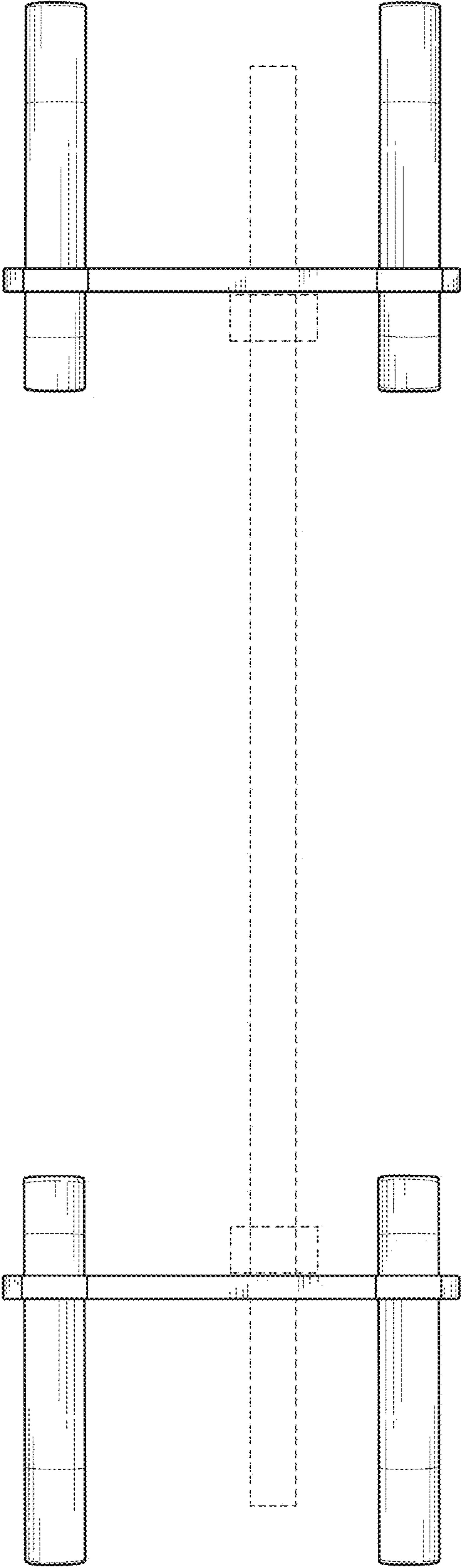


FIG. 4

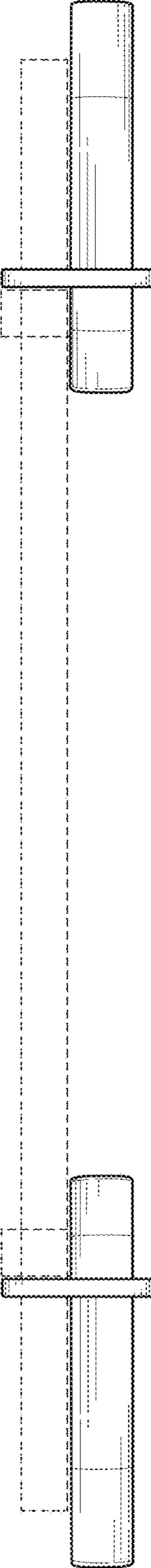


FIG. 5

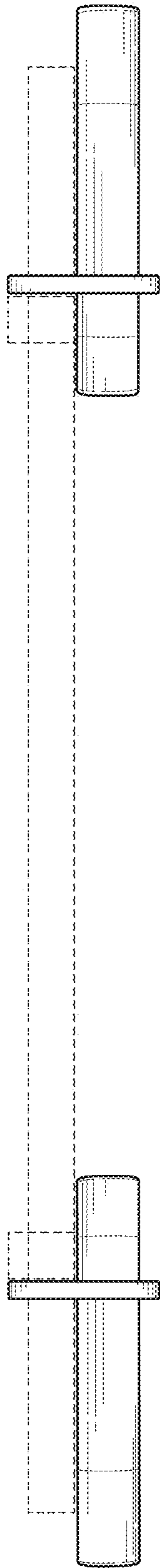


FIG. 6

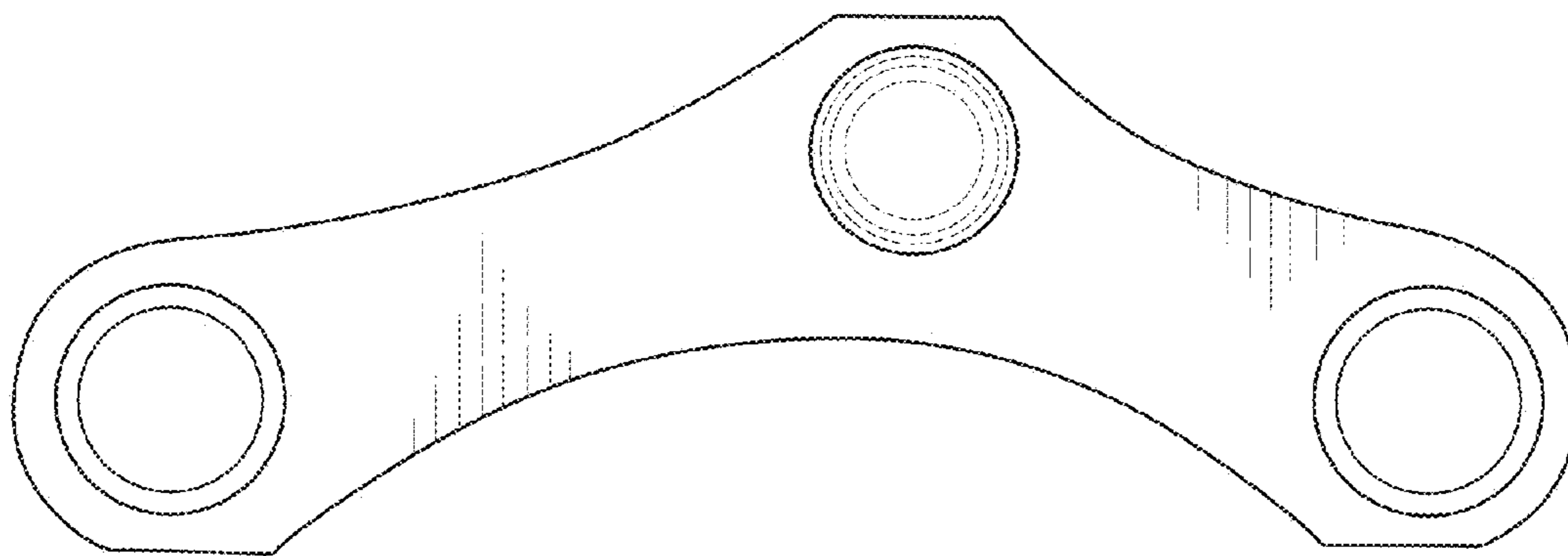


FIG. 7

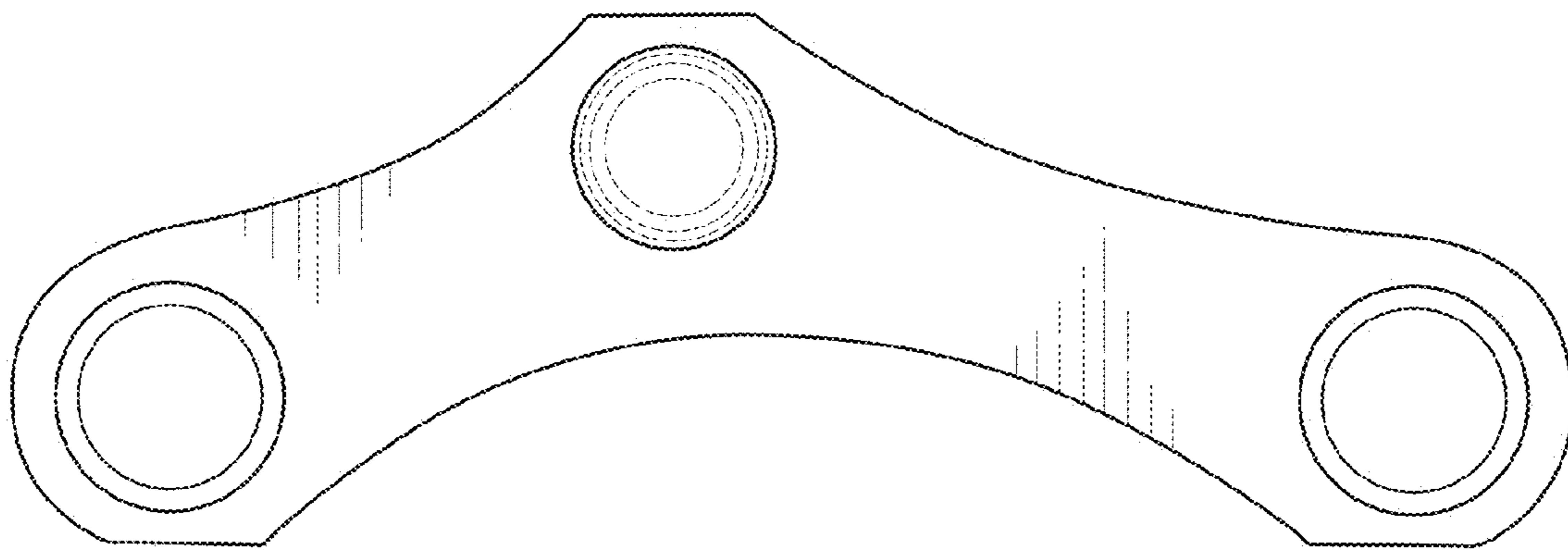


FIG. 8