



US00D748210S

(12) **United States Design Patent**  
**Kristiansen et al.**

(10) **Patent No.:** **US D748,210 S**  
(45) **Date of Patent:** **\*\* Jan. 26, 2016**

- (54) **STATIONARY FITTING BIKE**
- (71) Applicant: **Cycling Sports Group, Inc.**, Wilton, CT (US)
- (72) Inventors: **Morten Kristiansen**, Norwalk, CT (US);  
**Daniel L. Connors**, Southbury, CT (US)
- (73) Assignee: **Cycling Sports Group, Inc.**, Wilton, CT (US)

5,312,311 A 5/1994 Pearson  
 5,527,248 A 6/1996 Crivello  
 5,549,527 A 8/1996 Yu

(Continued)

FOREIGN PATENT DOCUMENTS

CA 2599244 2/2008  
 EP 2353983 8/2011

(Continued)

OTHER PUBLICATIONS

International Search Report for PCT/US 14/43270; mailed Jan. 2, 2015.

(Continued)

- (\*\*) Term: **14 Years**
- (21) Appl. No.: **29/494,387**
- (22) Filed: **Jun. 19, 2014**
- (51) **LOC (10) Cl.** ..... **21-02**
- (52) **U.S. Cl.**  
USPC ..... **D21/667**
- (58) **Field of Classification Search**  
USPC ..... D21/663, 667, 666, 697, 694, 665, 668,  
D21/664; 482/61, 57, 58, 127, 133, 51, 9,  
482/60, 904, 8, 1, 900, 63, 908; 188/24.11;  
74/502.4, 502.6, 551.1, 551.8;  
248/444.1, 205.1; D8/303; D12/178,  
D12/411  
CPC .. A63B 22/0605; A63B 69/16; A63B 21/225;  
Y10T 74/2078; Y10T 74/20822  
See application file for complete search history.

*Primary Examiner* — Robert M Spear  
*Assistant Examiner* — Ryan Harvey  
 (74) *Attorney, Agent, or Firm* — Brian G. Gilpin; Godfrey & Kahn, S.C.

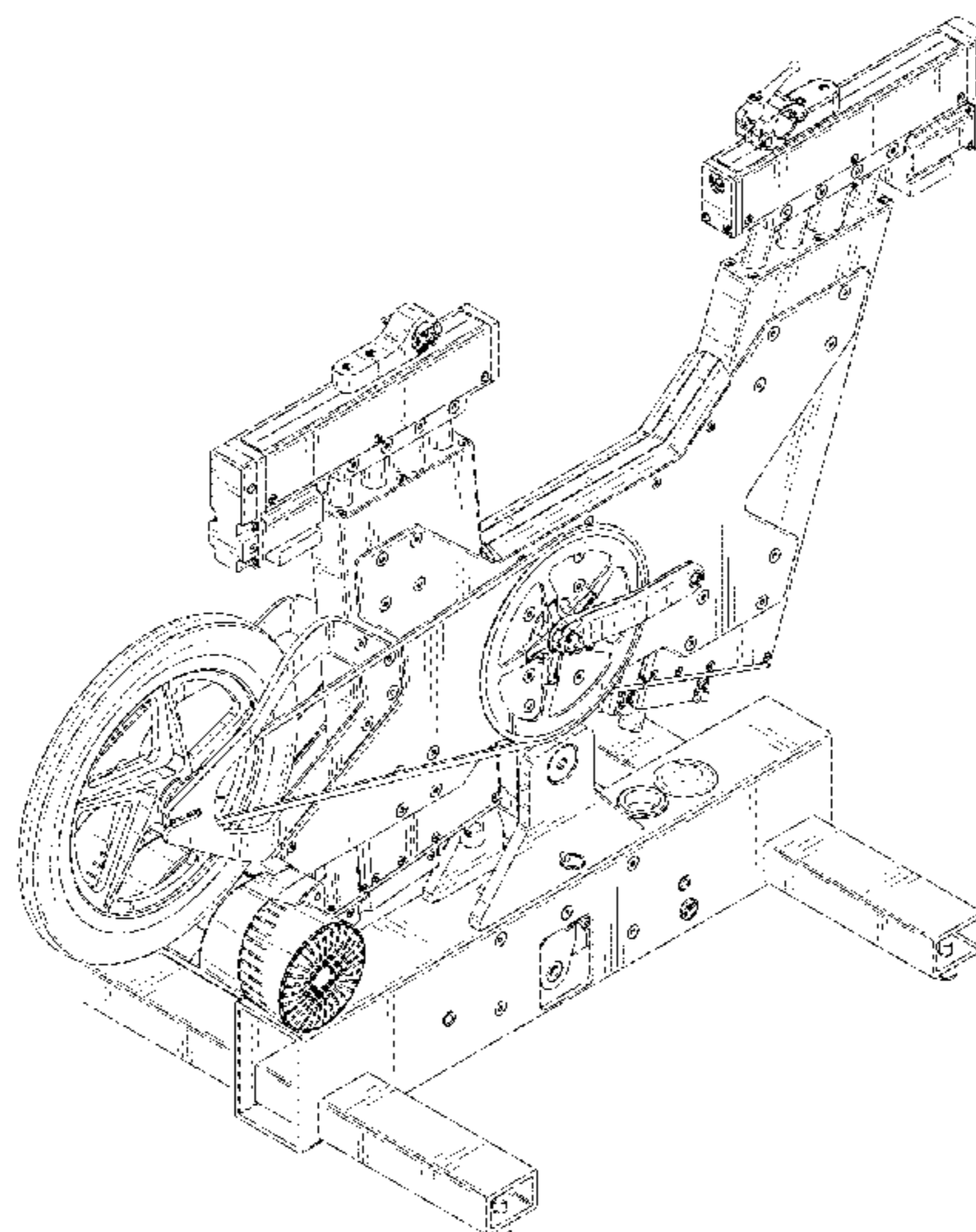
(57) **CLAIM**  
 We claim the ornamental design for a stationary fitting bike, as shown and described.

**DESCRIPTION**

FIG. 1 is a perspective view of the stationary fitting bike design;  
 FIG. 2 is a front view of the stationary fitting bike of FIG. 1;  
 FIG. 3 is a rear view of the stationary fitting bike of FIG. 1;  
 FIG. 4 is a right side elevation view of the stationary fitting bike of FIG. 1;  
 FIG. 5 is a left side elevation view of the stationary fitting bike of FIG. 1;  
 FIG. 6 is a top view of the stationary fitting bike of FIG. 1;  
 and,  
 FIG. 7 is a bottom view of the stationary fitting bike of FIG. 1.

**1 Claim, 7 Drawing Sheets**

- (56) **References Cited**  
U.S. PATENT DOCUMENTS
- |             |         |                 |
|-------------|---------|-----------------|
| 3,062,204 A | 11/1962 | Stefano         |
| 3,750,479 A | 8/1973  | Gause et al.    |
| 3,861,807 A | 1/1975  | Lescrenier      |
| 4,637,604 A | 1/1987  | DuPont          |
| 4,768,777 A | 9/1988  | Yang            |
| 5,006,072 A | 4/1991  | Letovsky        |
| 5,035,418 A | 7/1991  | Harabayashi     |
| 5,158,515 A | 10/1992 | Cortes          |
| 5,240,417 A | 8/1993  | Smithson et al. |



(56)

References Cited

U.S. PATENT DOCUMENTS

5,654,996 A 8/1997 Steinberg et al.  
 5,782,639 A 7/1998 Beal  
 5,890,995 A 4/1999 Bobick et al.  
 5,913,752 A 6/1999 Bolf  
 6,066,073 A 5/2000 Stearns et al.  
 6,126,577 A 10/2000 Chang  
 6,159,130 A 12/2000 Torvinen  
 6,251,047 B1 6/2001 Stearns et al.  
 6,648,802 B2 11/2003 Ware  
 6,669,603 B1 12/2003 Forcillo  
 7,081,070 B1 7/2006 Washington et al.  
 D564,052 S \* 3/2008 Brietlow et al. .... D21/697  
 7,399,259 B2 7/2008 Somwong  
 7,438,672 B1 10/2008 Rylander et al.  
 7,481,746 B2 1/2009 Iburguren  
 7,641,600 B2 1/2010 Bingham et al.  
 7,682,286 B2 3/2010 Badameh et al.  
 7,762,930 B2 7/2010 Egger  
 7,771,325 B2 8/2010 Baker  
 7,905,817 B2 3/2011 Giannascoli et al.  
 8,077,830 B2 12/2011 Brown et al.  
 2002/0004439 A1 1/2002 Galbraith et al.  
 2002/0032105 A1 \* 3/2002 Herb, Jr. .... 482/57  
 2002/0151414 A1 10/2002 Baker  
 2003/0171190 A1 9/2003 Rice  
 2004/0053750 A1 3/2004 Forcillo  
 2004/0176218 A1 9/2004 Fan  
 2004/0198561 A1 10/2004 Corbalis et al.  
 2004/0237666 A1 12/2004 Winkenbach et al.  
 2004/0248702 A1 12/2004 Baker  
 2005/0221960 A1 10/2005 Miyamaru et al.  
 2005/0221961 A1 10/2005 Forcillo  
 2005/0239609 A1 10/2005 Chen  
 2006/0003870 A1 1/2006 Corbalis et al.  
 2006/0003872 A1 1/2006 Chiles et al.  
 2006/0094568 A1 5/2006 Underbrink et al.  
 2006/0094569 A1 5/2006 Day  
 2006/0105887 A1 5/2006 Hao  
 2006/0172867 A1 8/2006 Lee

2006/0199700 A1 9/2006 LaStayo et al.  
 2006/0234836 A1 10/2006 Kuo  
 2006/0234837 A1 10/2006 Kuo  
 2006/0270522 A1 11/2006 Yonehana et al.  
 2007/0003910 A1 1/2007 Kirila  
 2007/0004488 A1 1/2007 Kirila  
 2007/0099766 A1 5/2007 Pyles et al.  
 2007/0099767 A1 5/2007 Harashima  
 2007/0105694 A1 5/2007 Panatta  
 2007/0142177 A1 6/2007 Simms et al.  
 2007/0149364 A1 6/2007 Blau et al.  
 2007/0161467 A1 7/2007 Lee  
 2007/0173381 A1 7/2007 Chen et al.  
 2007/0281835 A1 12/2007 Baker  
 2008/0020908 A1 1/2008 Iburguren  
 2008/0058170 A1 3/2008 Giannascoli et al.  
 2010/0076721 A1 3/2010 Simms et al.  
 2010/0125029 A1 \* 5/2010 Nielson et al. .... 482/61  
 2010/0234188 A1 \* 9/2010 Wan ..... 482/61  
 2010/0306160 A1 12/2010 Simms  
 2011/0105282 A1 \* 5/2011 Pinzon ..... 482/57  
 2012/0202653 A1 8/2012 Seastrom  
 2013/0072356 A1 \* 3/2013 Machida et al. .... 482/58  
 2014/0287883 A1 \* 9/2014 Decca ..... 482/57  
 2014/0378280 A1 \* 12/2014 Kristiansen et al. .... 482/61

FOREIGN PATENT DOCUMENTS

EP 1410984 4/2014  
 FR 2495307 6/1982  
 JP S5932801 A 6/1982  
 JP 59032801 2/1984  
 WO WO2010034078 4/2010

OTHER PUBLICATIONS

International Search Report for PCT/US 14/43275; mailed Dec. 31, 2014.  
 International Search Report for PCT/US2013/059162; mailed Dec. 18, 2013.

\* cited by examiner

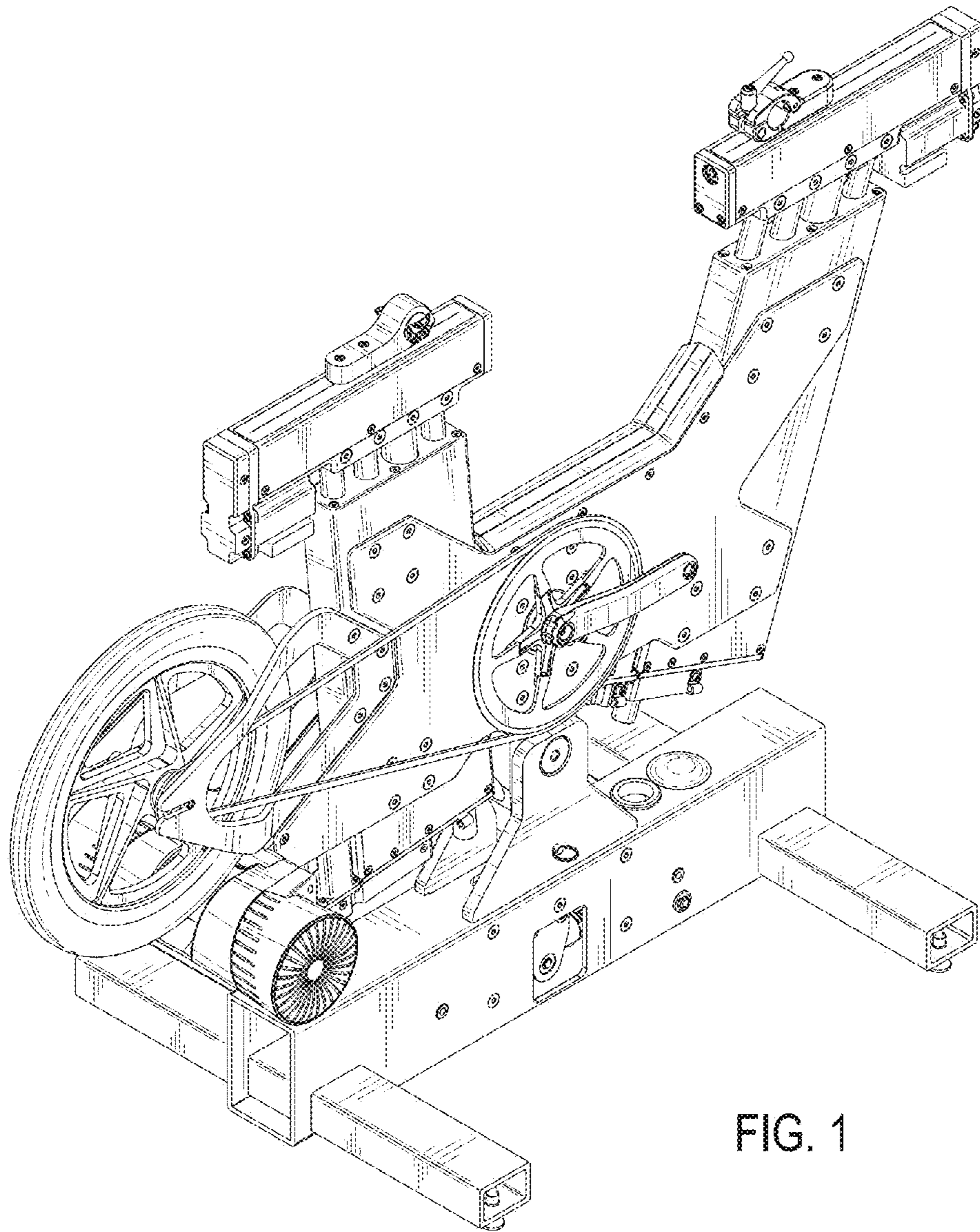


FIG. 1

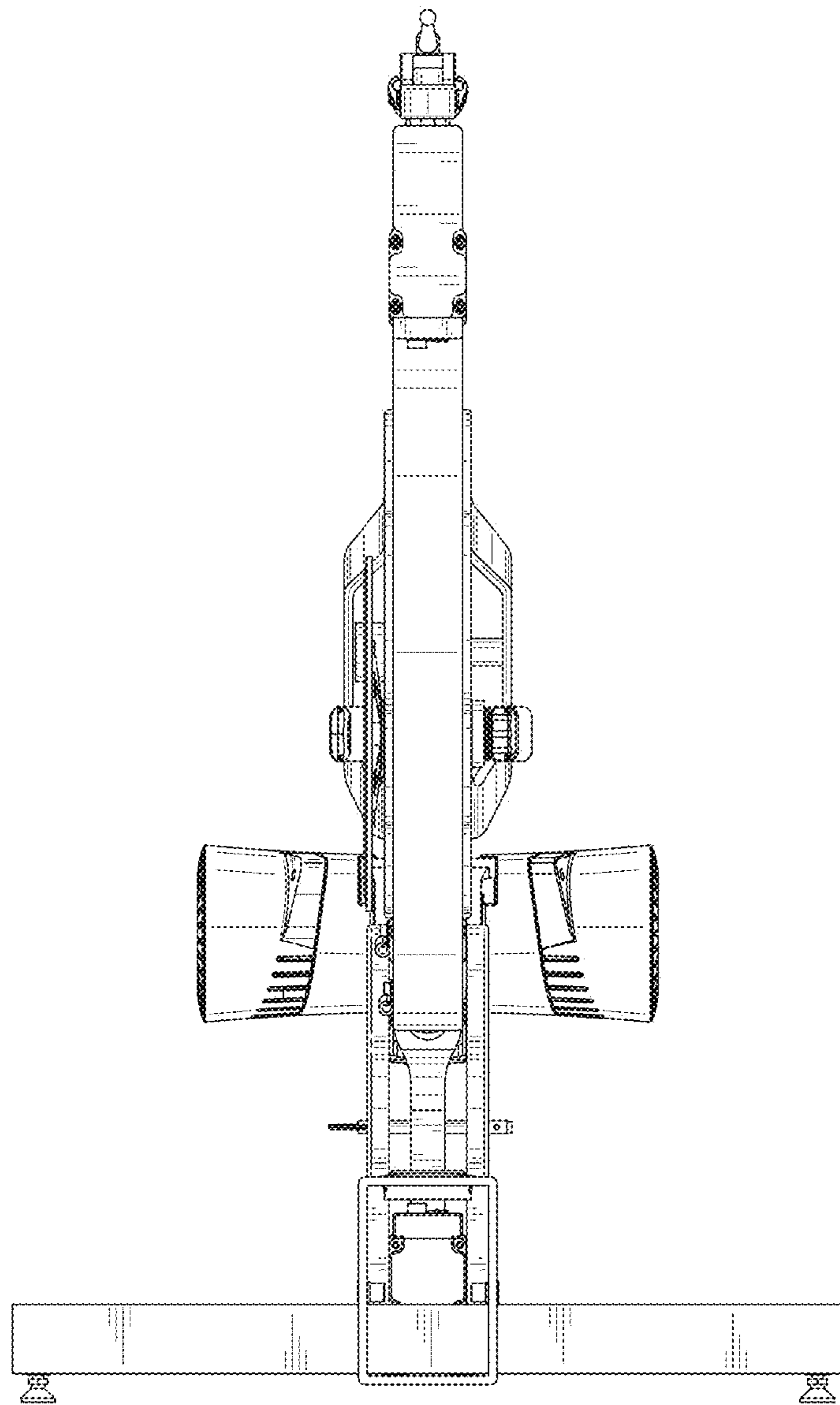


FIG. 2

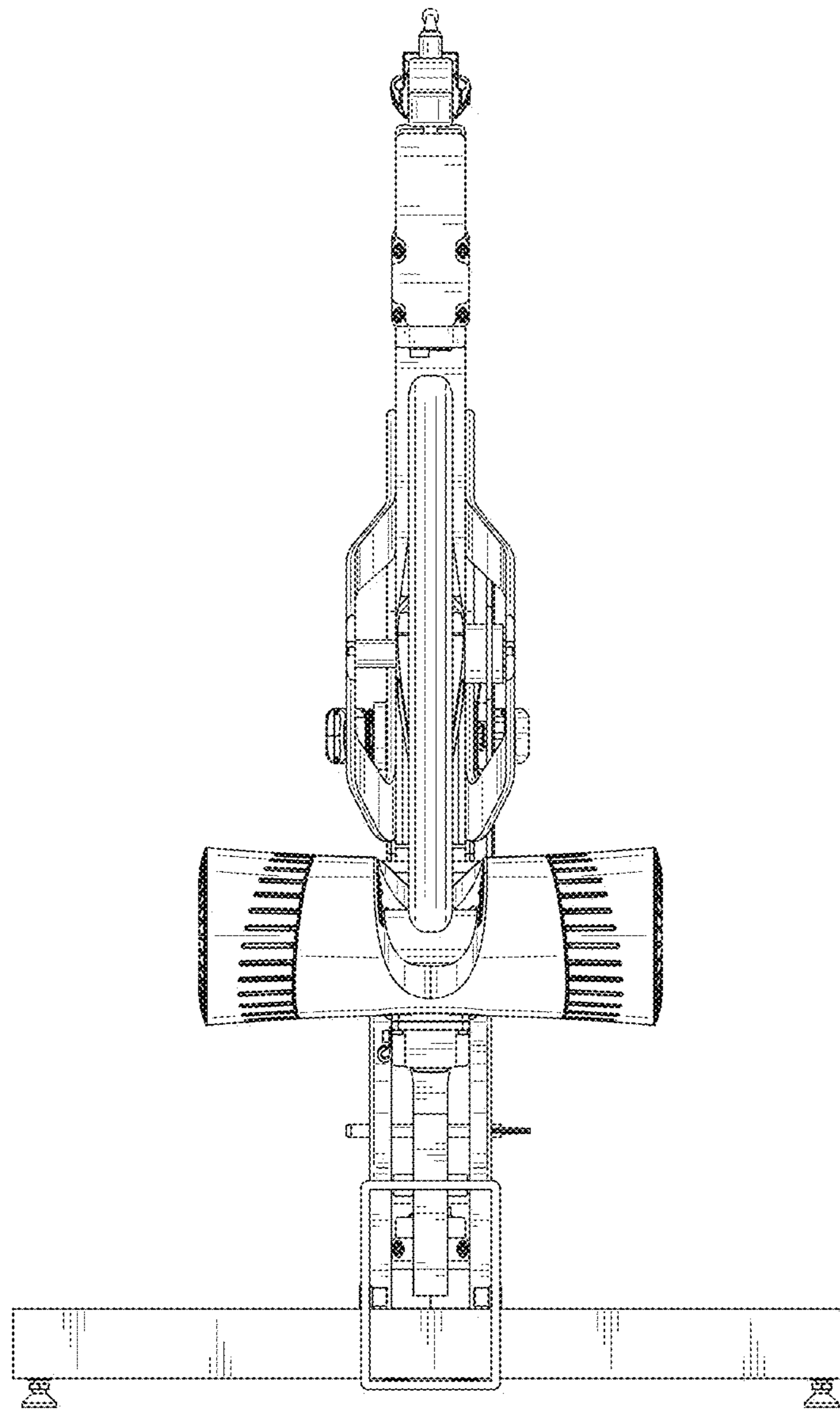
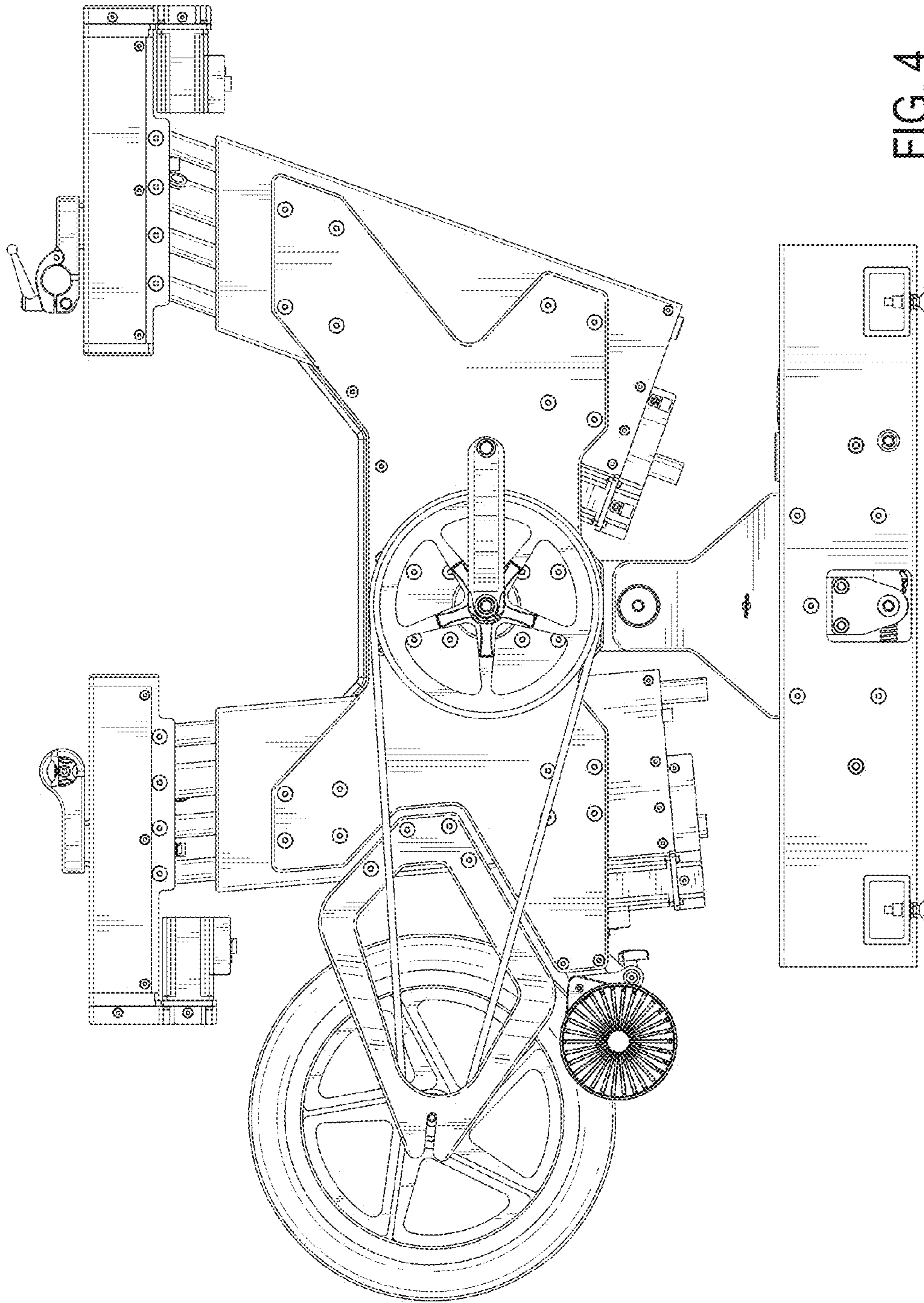


FIG. 3



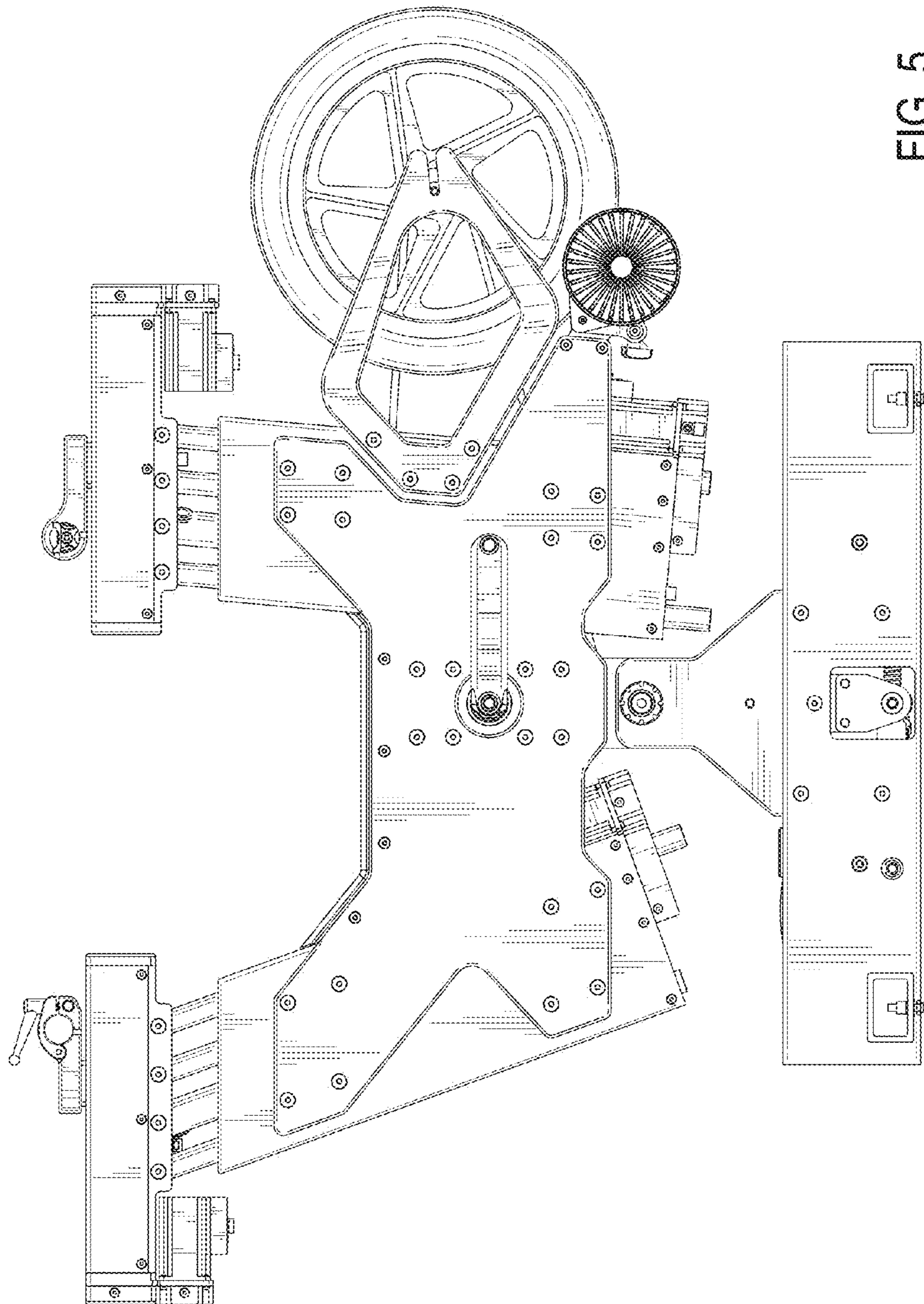


FIG. 5

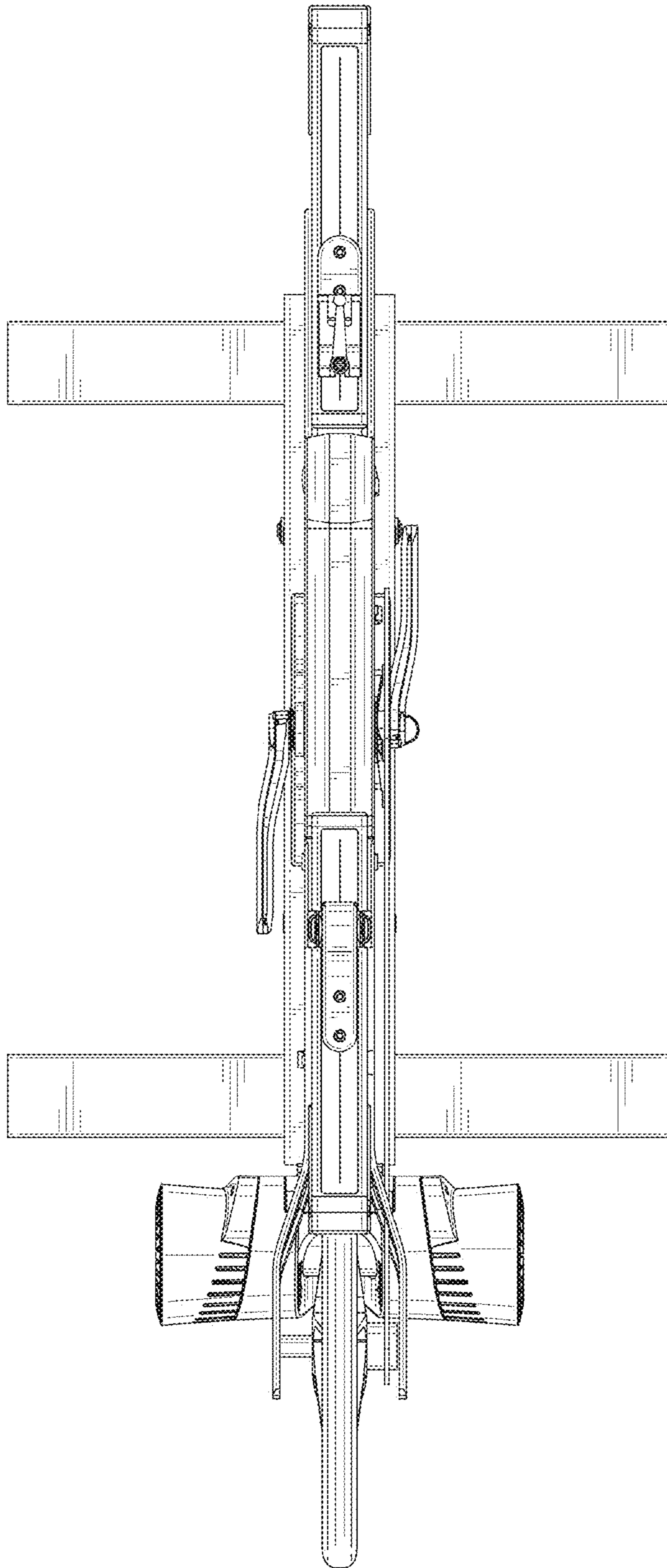


FIG. 6



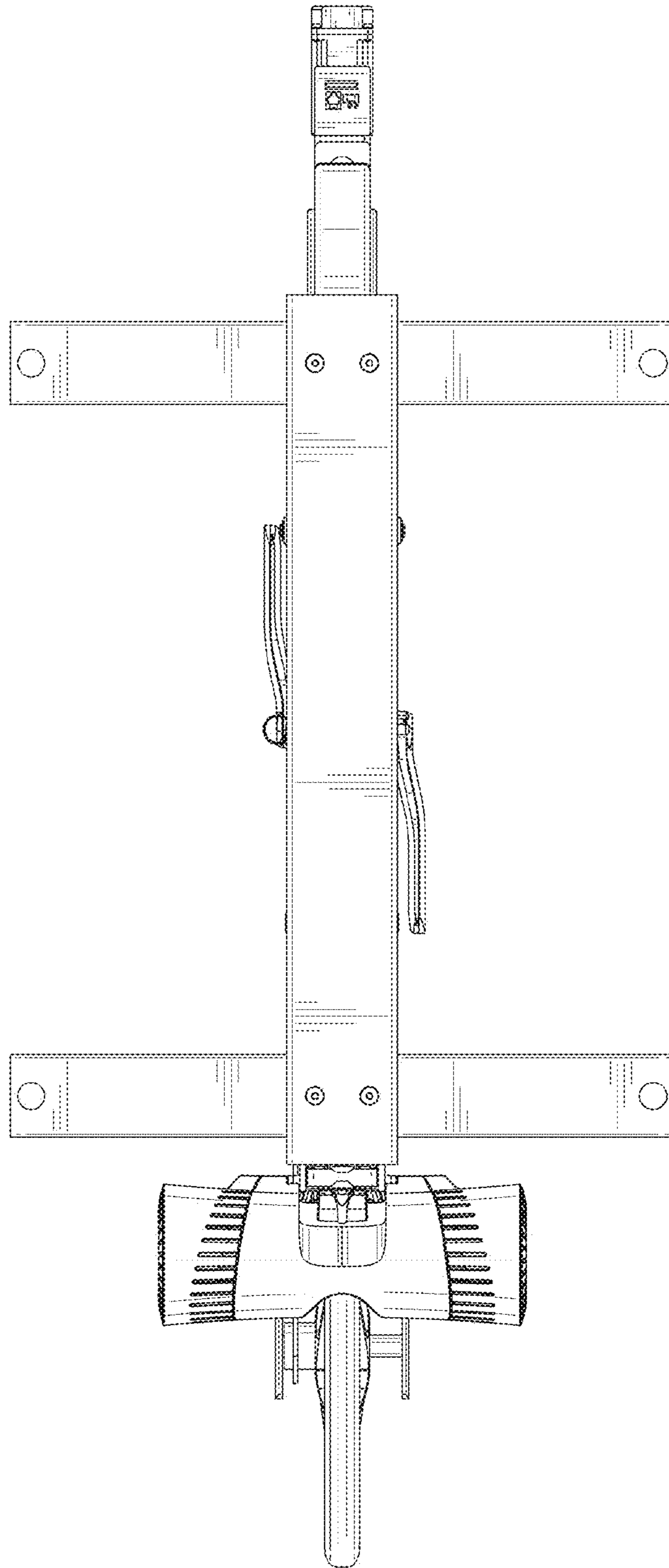


FIG. 7