



US00D748205S

(12) **United States Design Patent**
Selph

(10) **Patent No.:** **US D748,205 S**
(45) **Date of Patent:** **** Jan. 26, 2016**

(54) **PAINTBALL MARKER STAND**
(71) Applicant: **Sean Selph**, Vero Beach, FL (US)
(72) Inventor: **Sean Selph**, Vero Beach, FL (US)
(**) Term: **14 Years**
(21) Appl. No.: **29/512,612**
(22) Filed: **Dec. 20, 2014**
(51) **LOC (10) Cl.** **21-01**
(52) **U.S. Cl.**
USPC **D21/573**
(58) **Field of Classification Search**
USPC D21/569, 570, 573, 574; D22/108, 199;
D6/449, 466, 552; 248/146, 166, 439,
248/688; 42/94; 211/64, 163; 124/80
CPC F41A 23/00; F41A 23/02; F41A 23/14;
F41A 23/16; F41A 23/18; F41B 11/00
See application file for complete search history.

6,044,747 A * 4/2000 Felts F41A 23/16
42/94
D440,625 S * 4/2001 Cook, Jr. D22/108
6,367,466 B1 * 4/2002 Nettles, Jr. F41B 11/00
124/80
D459,625 S * 7/2002 Zebbedies D6/552
D471,248 S * 3/2003 Jacobs D22/108
6,877,266 B1 * 4/2005 Brownlee F41A 23/16
42/90
D543,604 S * 5/2007 Minneman D22/108
D582,493 S * 12/2008 Viljoen D21/573
D605,246 S * 12/2009 Hobbs D22/108
7,997,021 B2 * 8/2011 Cauley F41A 23/14
42/94
8,931,193 B1 * 1/2015 Bogart F41A 23/16
248/163.1
2006/0218840 A1 * 10/2006 Cauley F41A 23/18
42/94
2008/0127815 A1 * 6/2008 Yale F41C 33/06
89/37.01

* cited by examiner

Primary Examiner — Cynthia M Chin
(74) *Attorney, Agent, or Firm* — William Simmons;
Simmons Patents

(56) **References Cited**
U.S. PATENT DOCUMENTS

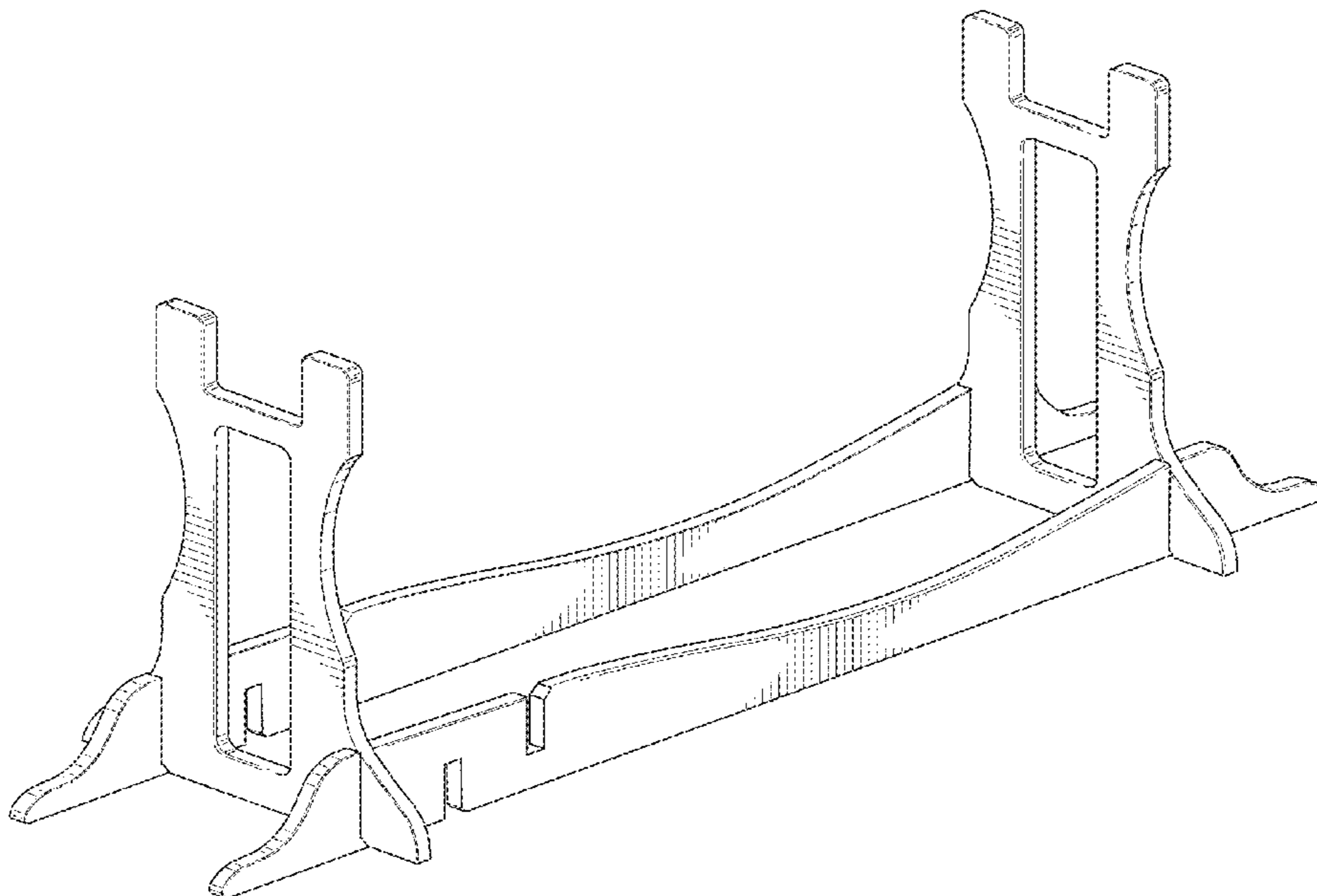
3,964,613 A * 6/1976 Anderson, Jr. F41A 23/00
211/64
4,449,314 A * 5/1984 Sorensen F41A 23/00
211/64
D289,475 S * 4/1987 McClung D6/675
D310,302 S * 9/1990 Southard 211/163
D313,886 S * 1/1991 Southard 211/163
4,998,944 A * 3/1991 Lund F16M 13/02
211/64
D364,080 S * 11/1995 Weyrauch D8/74
D387,123 S * 12/1997 Hughes D22/108
5,715,624 A * 2/1998 Hilbelink F41A 23/02
42/94
D406,629 S * 3/1999 Banfill D22/100

(57) **CLAIM**
The ornamental design for a paintball marker stand, as shown
and described.

DESCRIPTION

FIG. 1 is a rear isometric view thereof;
FIG. 2 is a rear elevation view thereof;
FIG. 3 is a front elevation view thereof;
FIG. 4 is a side elevation view thereof;
FIG. 5 is a top plan view; and,
FIG. 6 is a bottom plan view.

1 Claim, 4 Drawing Sheets



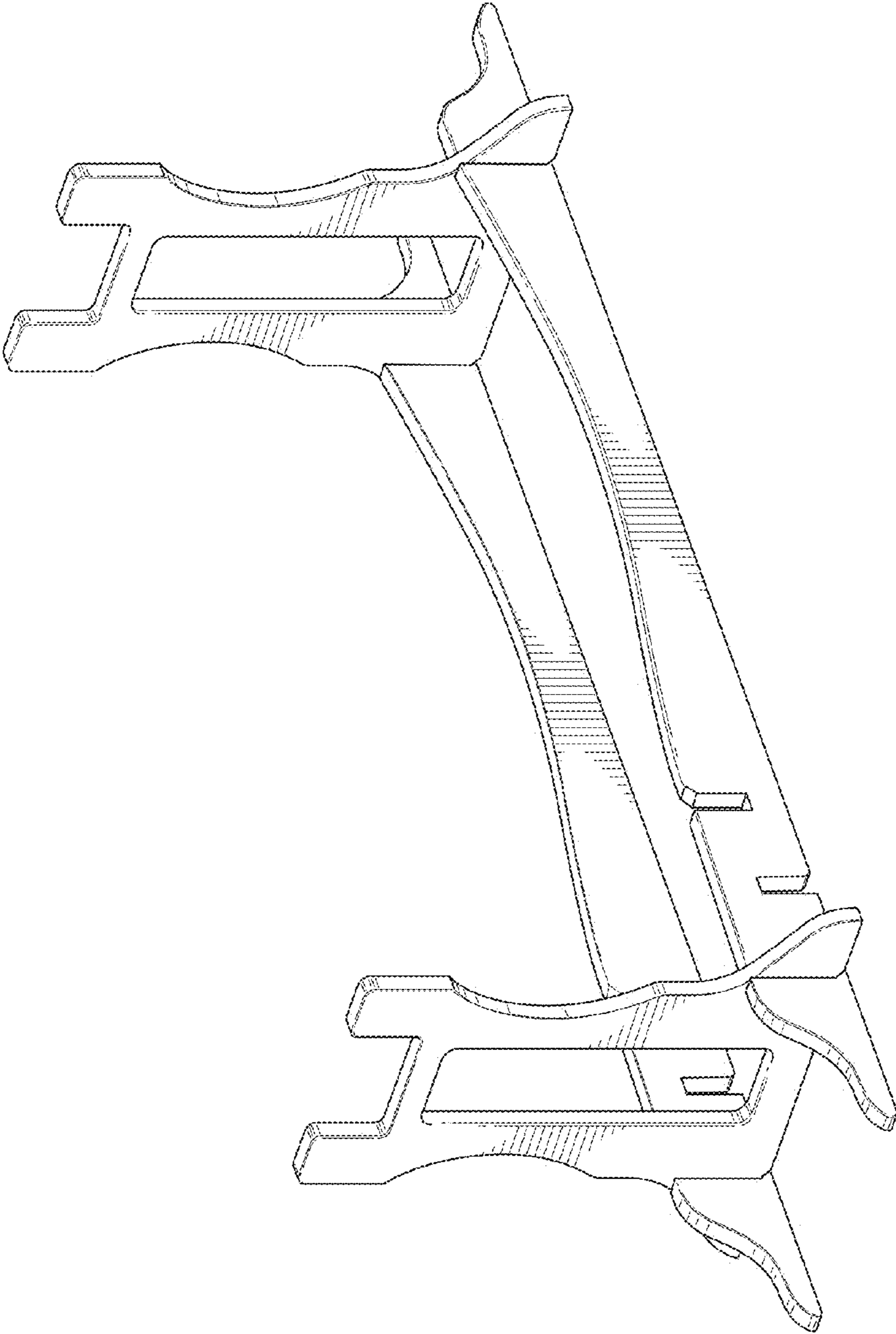


Fig. 1

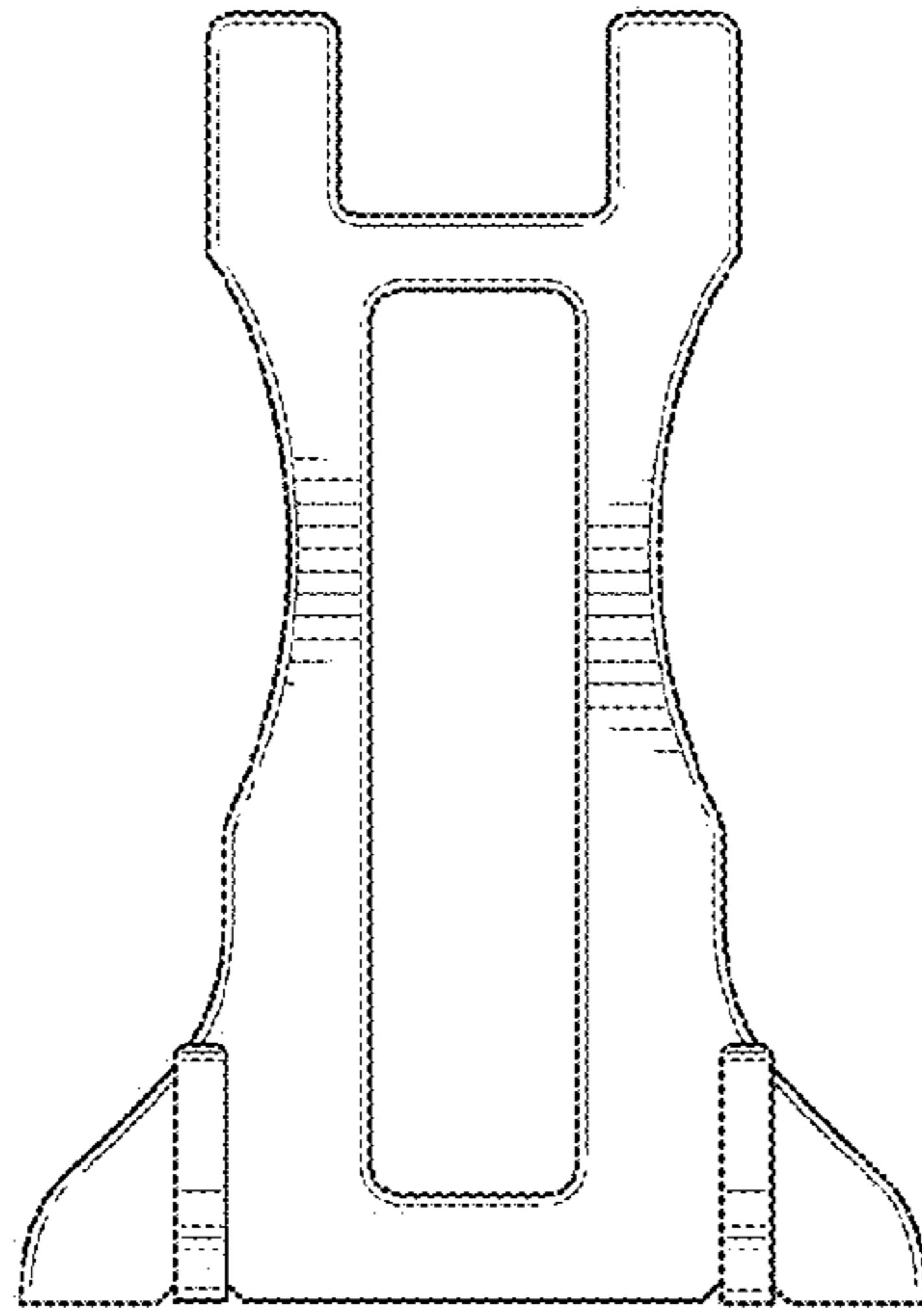


Fig. 2

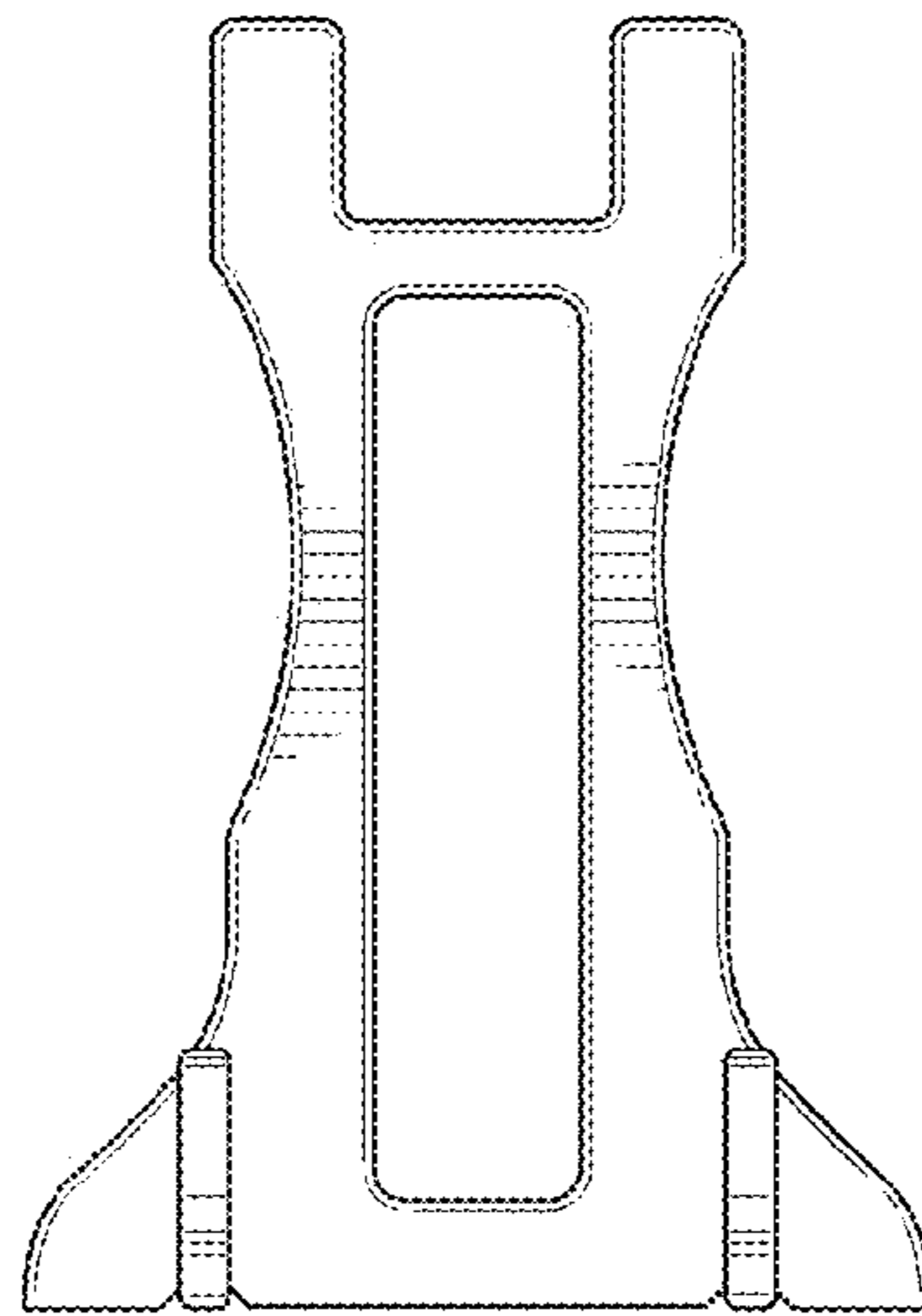


Fig. 3

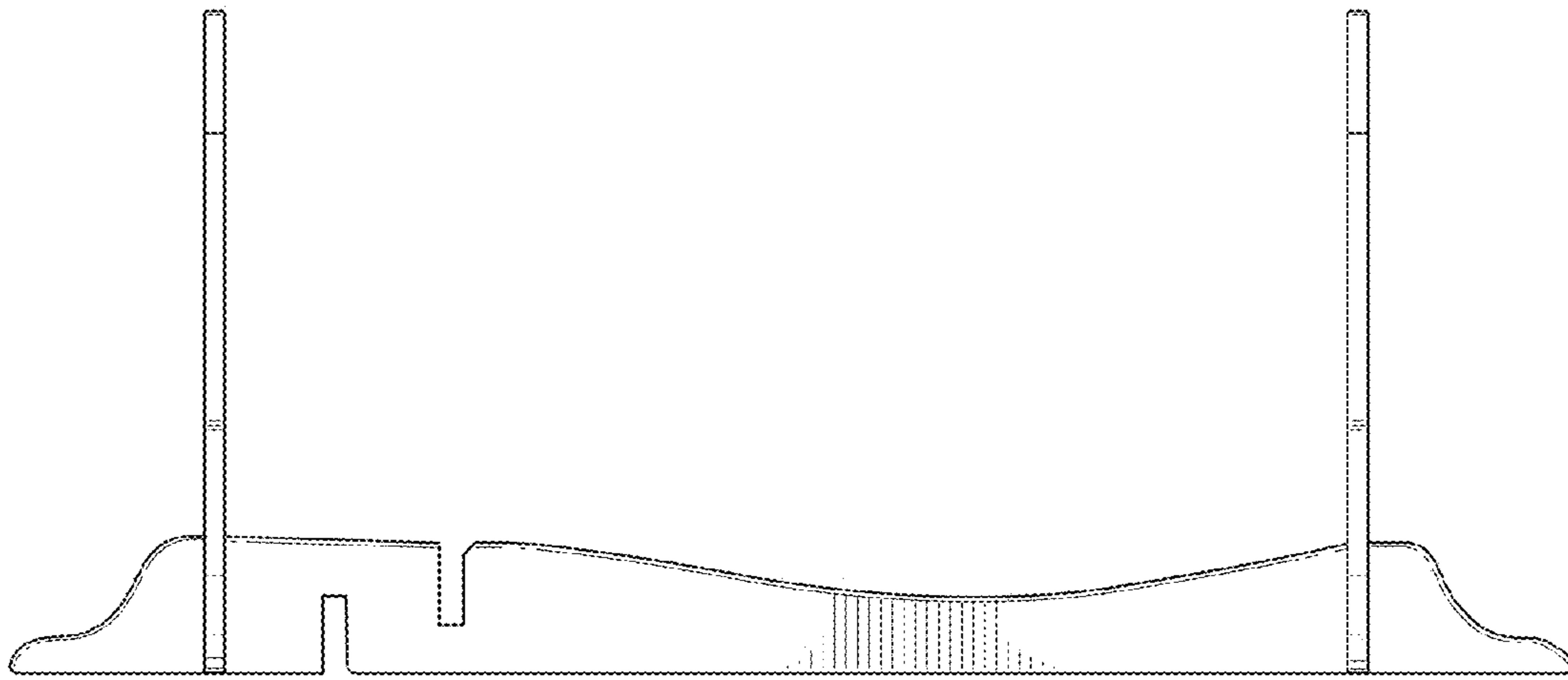


Fig. 4

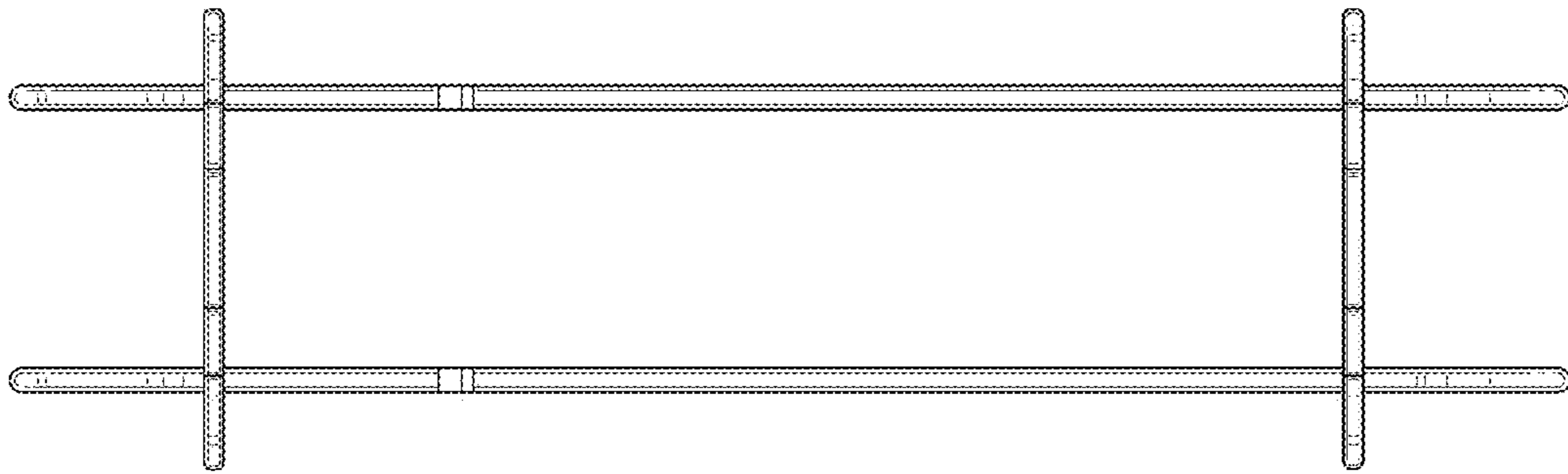


Fig. 5

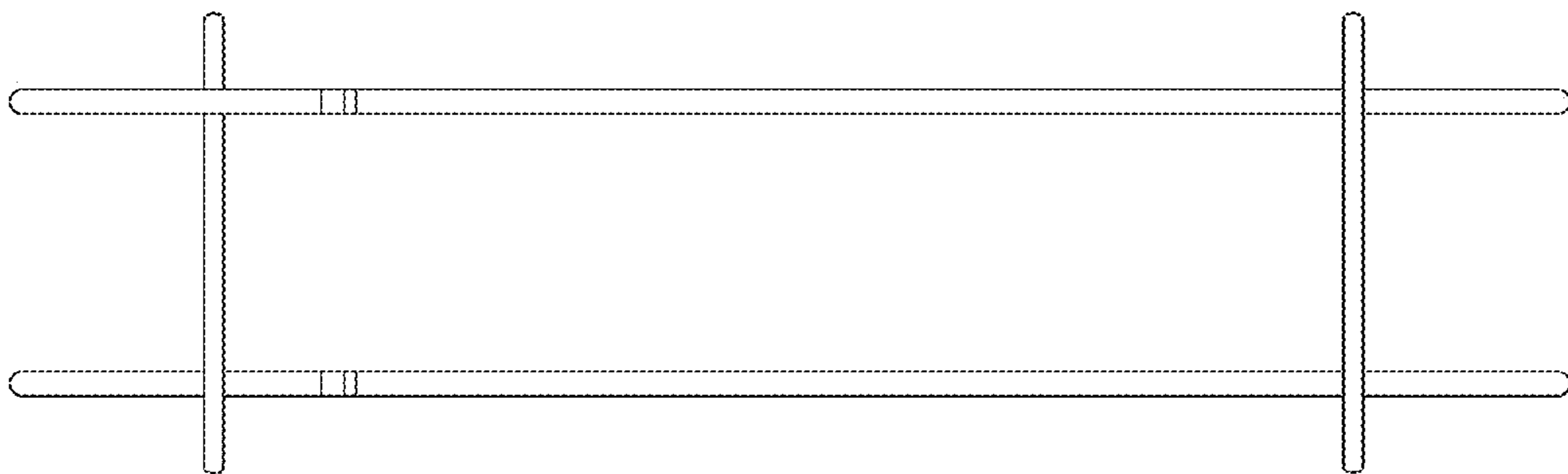


Fig. 6