



US00D748204S

(12) **United States Design Patent**
Simonds et al.

(10) **Patent No.:** **US D748,204 S**
(45) **Date of Patent:** **** Jan. 26, 2016**

(54) **TOY BUILDING BLOCK**

(56) **References Cited**

(71) Applicant: **Chiswick innovations Ltd**, London (GB)

U.S. PATENT DOCUMENTS

(72) Inventors: **Colin Simonds**, London (GB); **James Simonds**, London (GB)

3,570,170	A *	3/1971	Kishi	446/128
D308,708	S *	6/1990	Poulsen	D21/495
D329,066	S *	9/1992	Jarnros	D21/500
5,645,463	A *	7/1997	Olsen	446/104
6,050,044	A *	4/2000	McIntosh	446/124
D445,148	S *	7/2001	McIntosh	D21/500
D465,816	S *	11/2002	Sorensen	D21/500
D467,288	S *	12/2002	Sorensen	D21/500
6,511,073	B2 *	1/2003	Simonds	446/124
8,771,032	B2 *	7/2014	Chang et al.	446/124

(73) Assignee: **CHISWICK INNOVATIONS LTD**, London (GB)

(**) Term: **14 Years**

* cited by examiner

(21) Appl. No.: **29/500,437**

Primary Examiner — Cynthia M Chin

(22) Filed: **Aug. 25, 2014**

(74) *Attorney, Agent, or Firm* — Jacobson Holman, PLLC.

(30) **Foreign Application Priority Data**

(57) **CLAIM**

Feb. 25, 2014 (EM) 001404180

We claim the ornamental design for a toy building block, as shown and described.

(51) **LOC (10) Cl.** **21-01**

DESCRIPTION

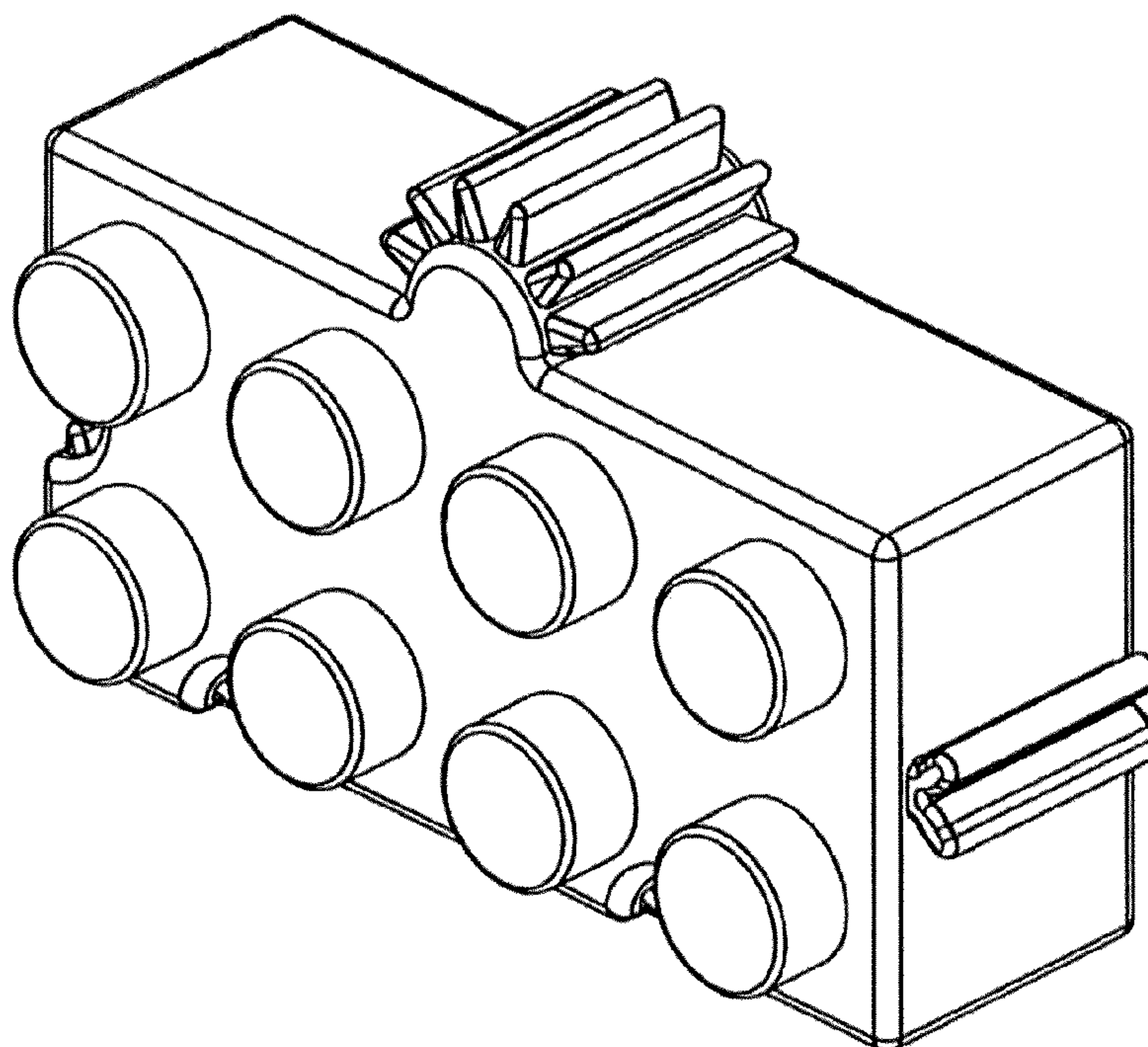
(52) **U.S. Cl.**
USPC **D21/500**

(58) **Field of Classification Search**
USPC D21/333, 373, 386, 389, 404, 468, 470, D21/471, 475, 484-505; 446/69, 85, 446/102-128; 434/167, 208, 259, 403; 273/153, 156, 160; D3/304, 314; D24/101; D9/640; 220/23.4; 40/720
CPC A63H 33/04; A63H 33/06; A63H 33/062; A63H 33/08; A63H 33/084; A63H 33/088; A63F 9/12; A63F 9/1224

FIG. 1 is a front perspective view of a toy building block embodying our design;
FIG. 2 is a top plan view of FIG. 1;
FIG. 3 is a bottom view of FIG. 1 with broken lines;
FIG. 4 is a left side view of FIG. 1;
FIG. 5 is a right side view of FIG. 1;
FIG. 6 is a front side view of FIG. 1; and,
FIG. 7 is a back side view of FIG. 1.
The portions of the toy building block shown in broken lines form no part of the claimed design.

See application file for complete search history.

1 Claim, 3 Drawing Sheets



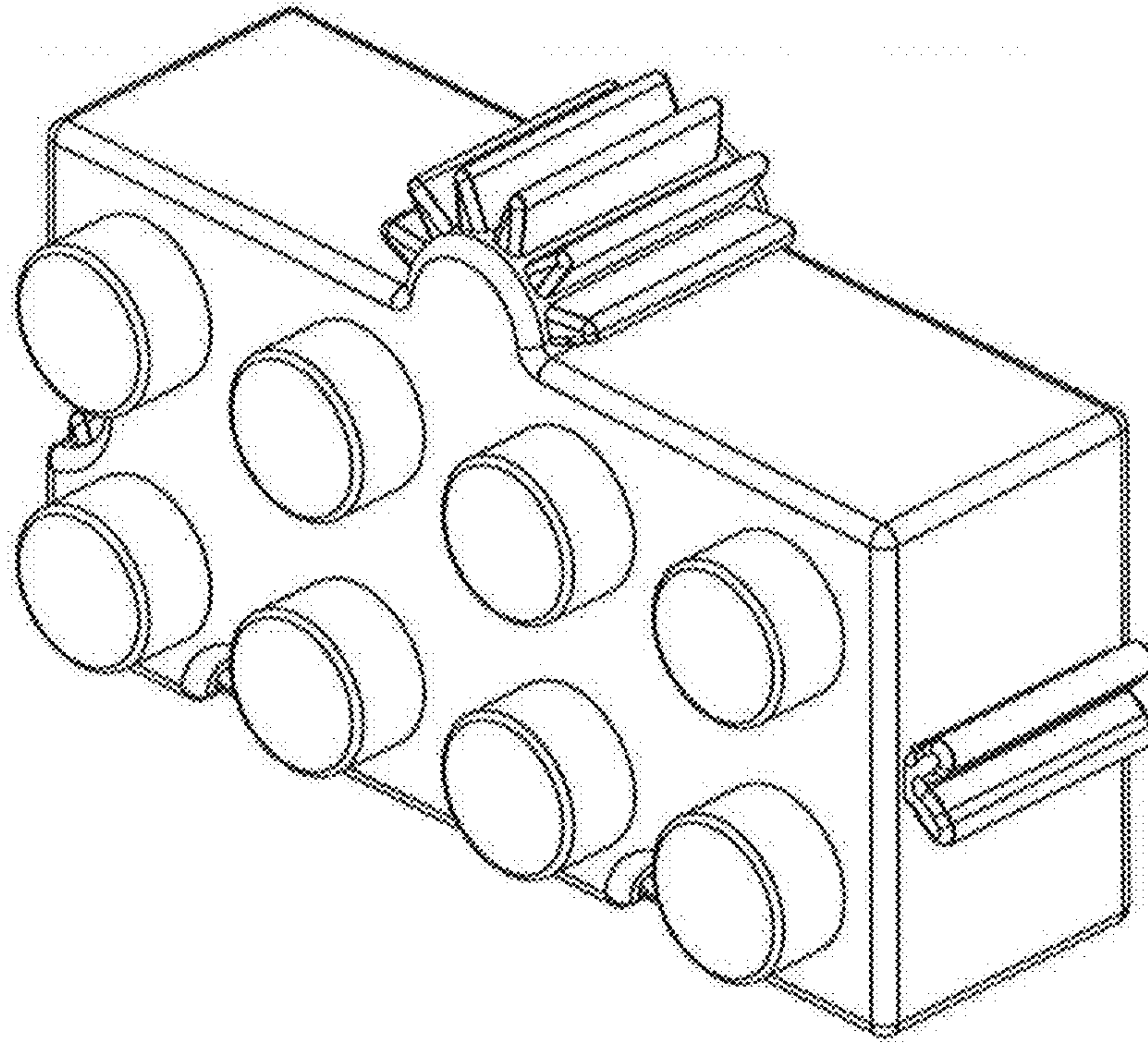


FIG. 1

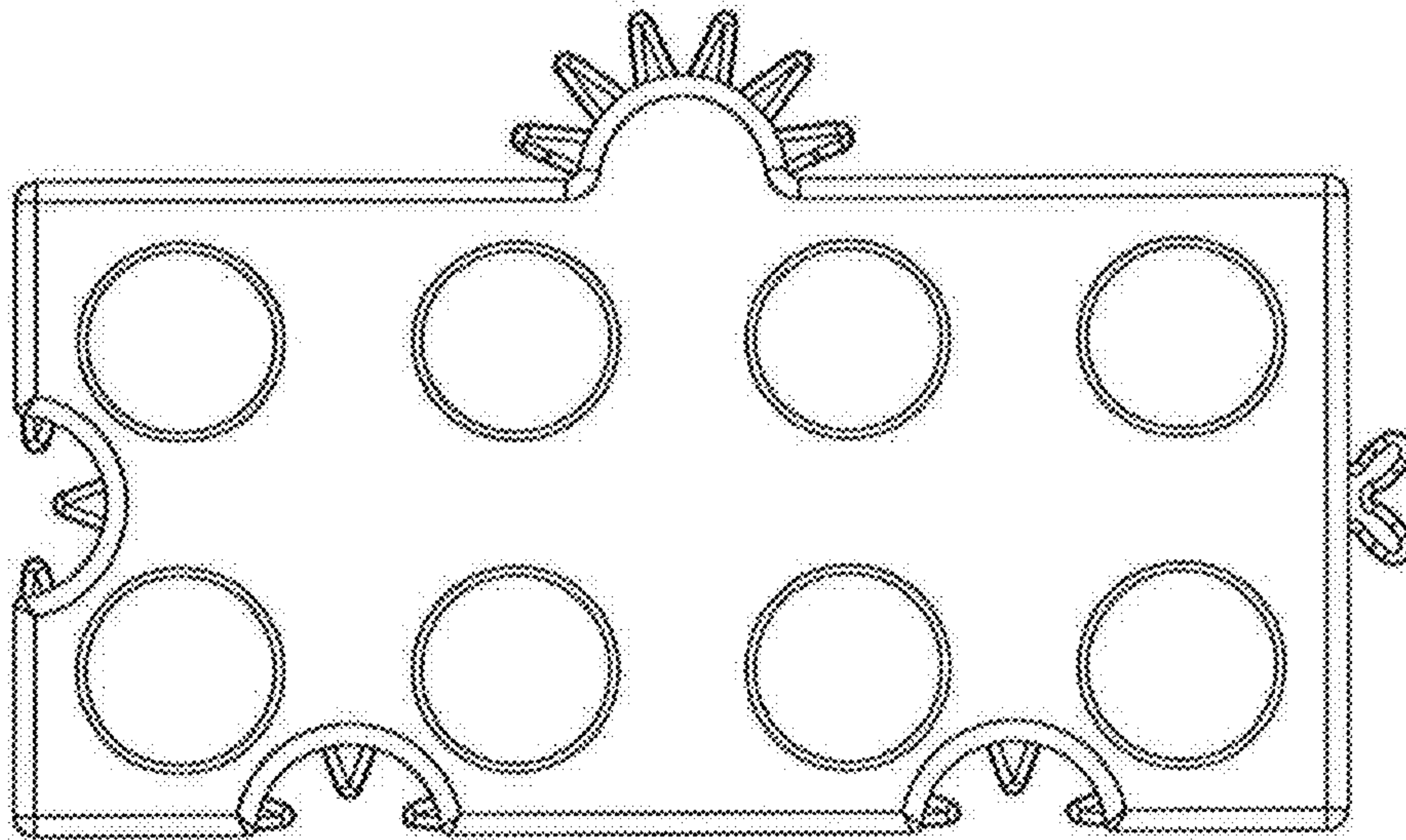


FIG. 2

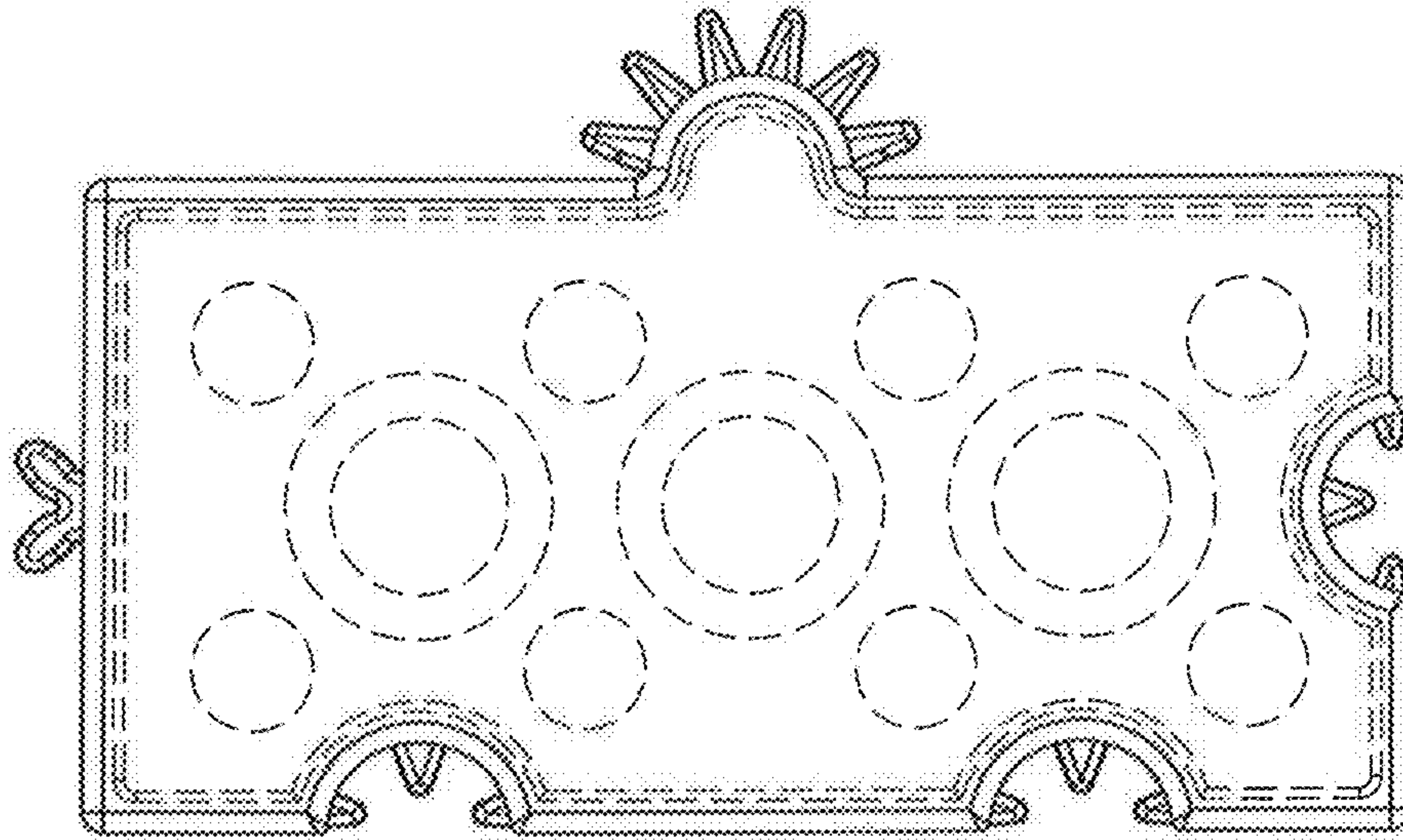


FIG. 3

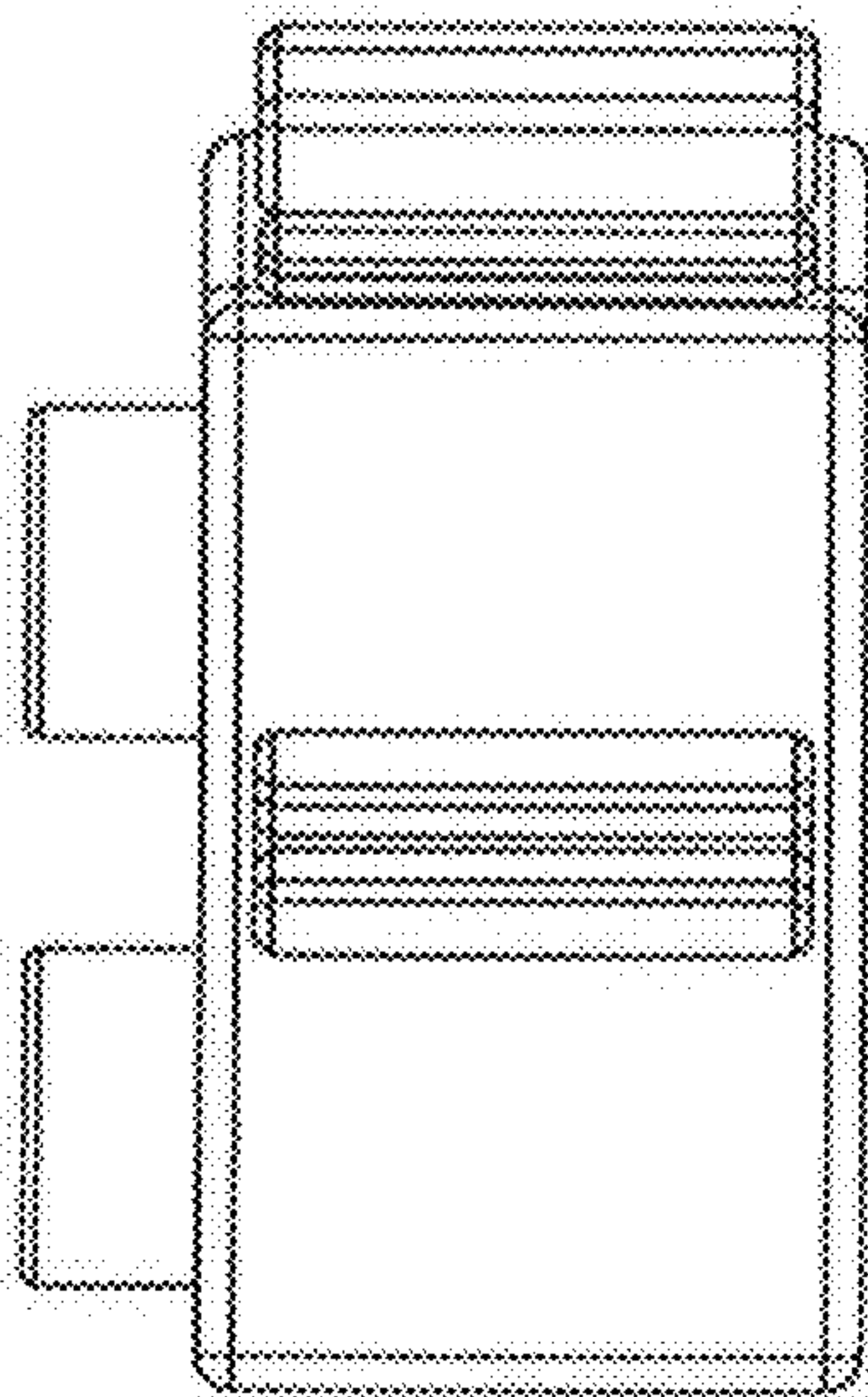


FIG. 4

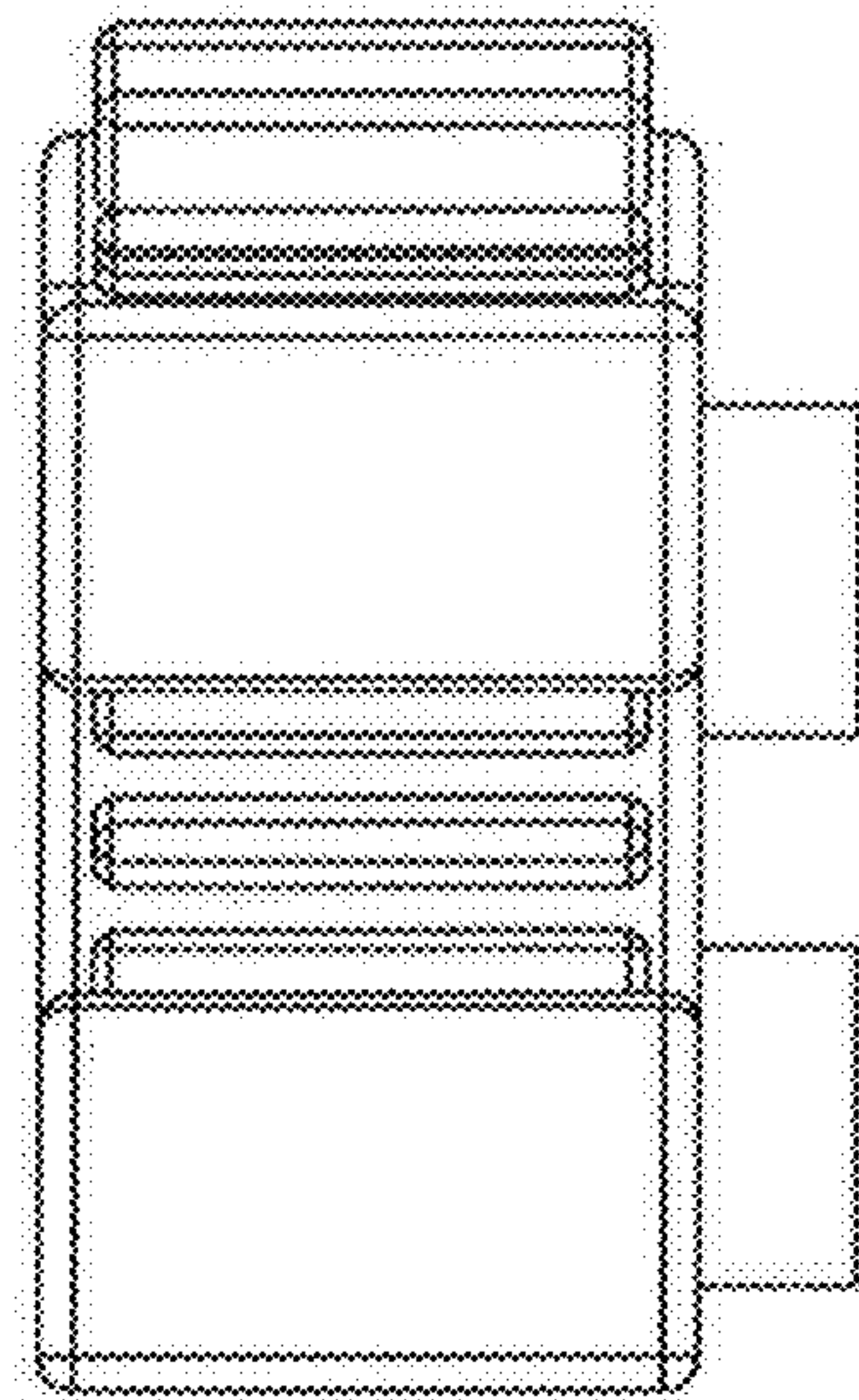


FIG. 5

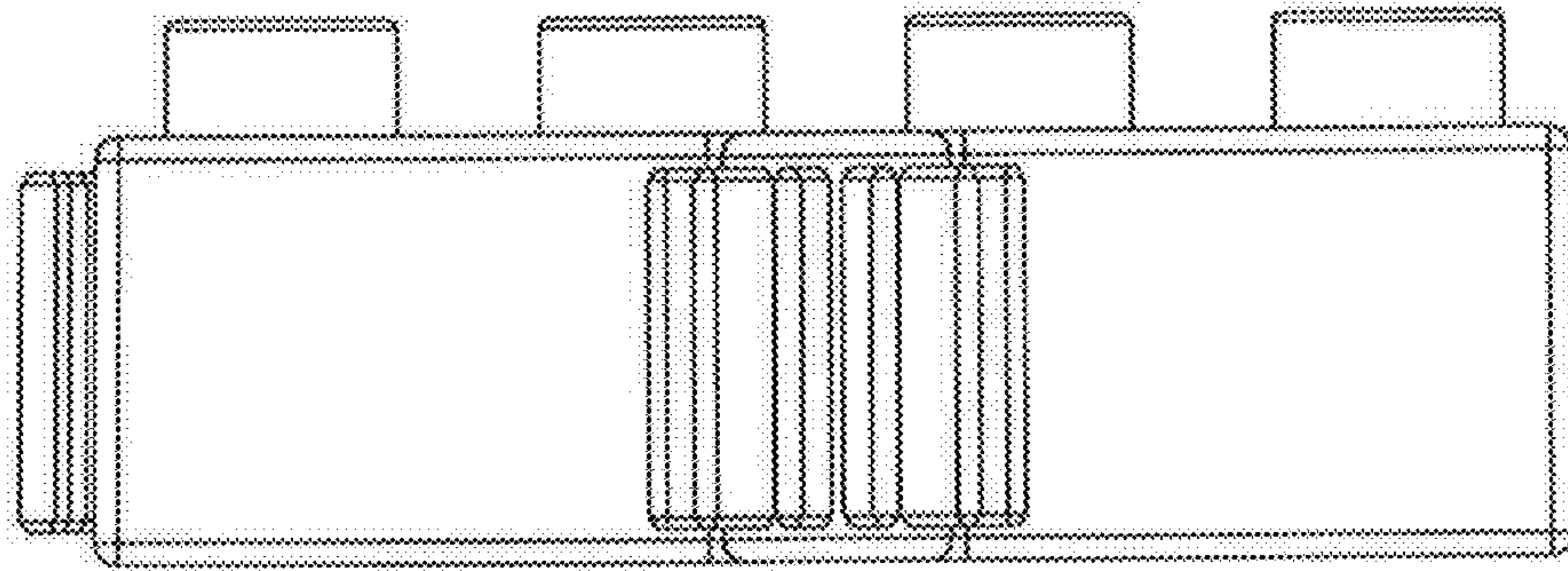


FIG. 6

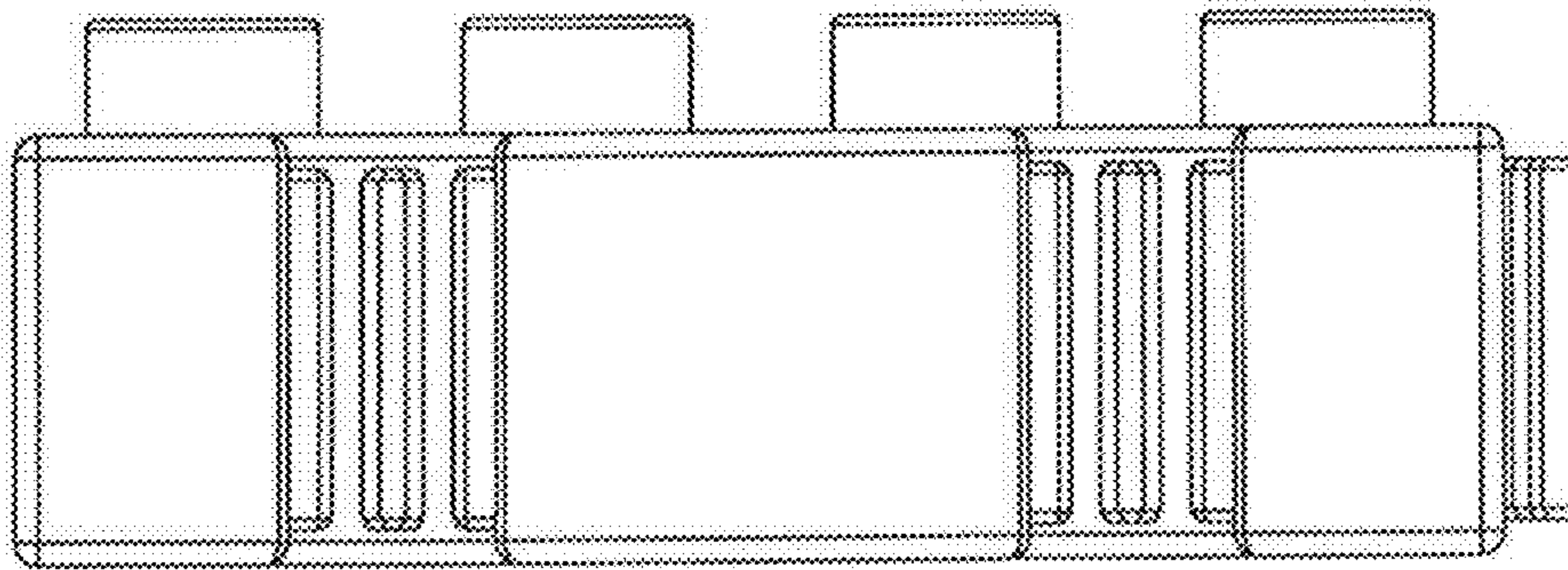


FIG. 7