



US00D748203S

(12) **United States Design Patent**  
**Karunaratne**

(10) **Patent No.:** **US D748,203 S**  
(45) **Date of Patent:** **\*\* Jan. 26, 2016**

(54) **BASEPLATE FOR USE WITH TOY PIECES**

(71) Applicant: **TechnologyOne, Inc.**, Fremont, CA (US)

(72) Inventor: **Arjuna Ragunath Karunaratne**, Fremont, CA (US)

(73) Assignee: **TechnologyOne, Inc.**, Fremont, CA (US)

(\*\*) Term: **14 Years**

(21) Appl. No.: **29/508,492**

(22) Filed: **Nov. 6, 2014**

**Related U.S. Application Data**

(63) Continuation-in-part of application No. 13/760,880, filed on Feb. 6, 2013.

(51) **LOC (10) Cl.** ..... **21-01**

(52) **U.S. Cl.**  
USPC ..... **D21/491**

(58) **Field of Classification Search**  
USPC ..... D21/478, 479, 484, 485-505; 446/69, 446/85, 102-128; 434/208, 259, 403; 273/153, 156, 160; 428/174; D6/303  
CPC ..... A63H 33/00; A63H 33/04; A63H 33/06; A63H 33/08; A63H 33/10; A63H 33/12; A63H 33/14; A63F 9/08; A63F 9/12; G09B 1/36

See application file for complete search history.

(56) **References Cited**

**U.S. PATENT DOCUMENTS**

5,876,261 A \* 3/1999 Bach et al. .... 446/105  
6,443,796 B1 9/2002 Shackelford  
D614,250 S \* 4/2010 Frederiksen ..... D21/501  
D683,409 S \* 5/2013 Lomax et al. .... D21/485  
8,477,931 B2 7/2013 Thompson et al.

D694,222 S 11/2013 Thompson et al.  
D694,226 S 11/2013 Thompson et al.  
9,044,689 B2 6/2015 Thompson et al.  
2006/0166590 A1 \* 7/2006 Ishikawa ..... 446/120  
2013/0217295 A1 8/2013 Karunaratne  
2015/0105127 A1 4/2015 Thompson et al.

**OTHER PUBLICATIONS**

Small Works—BrickCase for iPod(R) Touch 4th Generation, <http://smallworks.com/collections/brickcase-for-ipod-touch-4th-generation>, earliest access Oct. 28, 2013, 2 pp.  
Smallworks—iPad(R) Mini BrickCase, <http://smallworks.com/collections/ipad-mini>, earliest access Nov. 22, 2013, 2 pp.  
Lego Mosaic 6162 product sheet, copied Sep. 2, 2014, product introduced and discontinued in 2007, 1 pg.

\* cited by examiner

*Primary Examiner* — Cynthia M Chin

(74) *Attorney, Agent, or Firm* — Haynes Beffel & Wolfeld LLP; James F. Hann

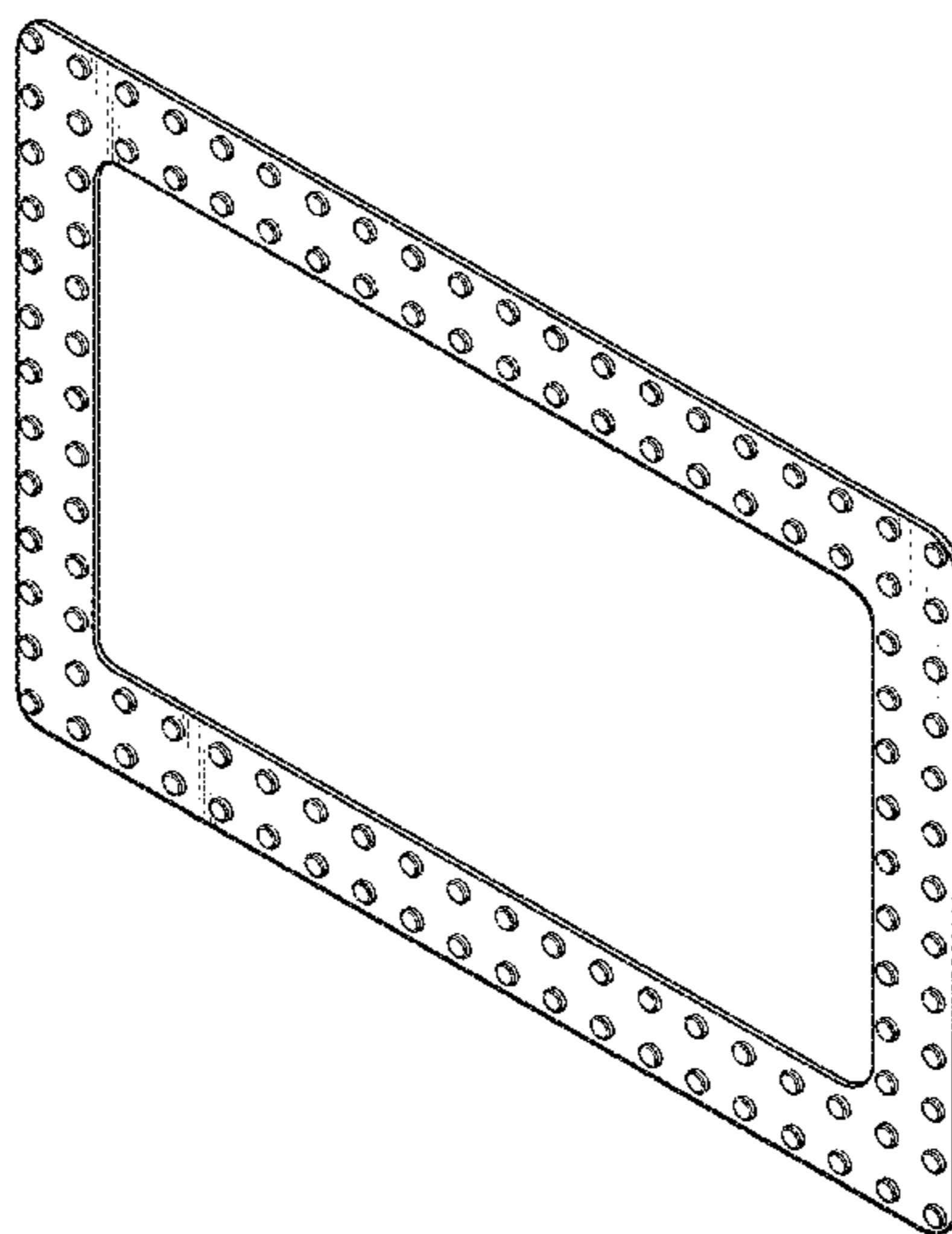
(57) **CLAIM**

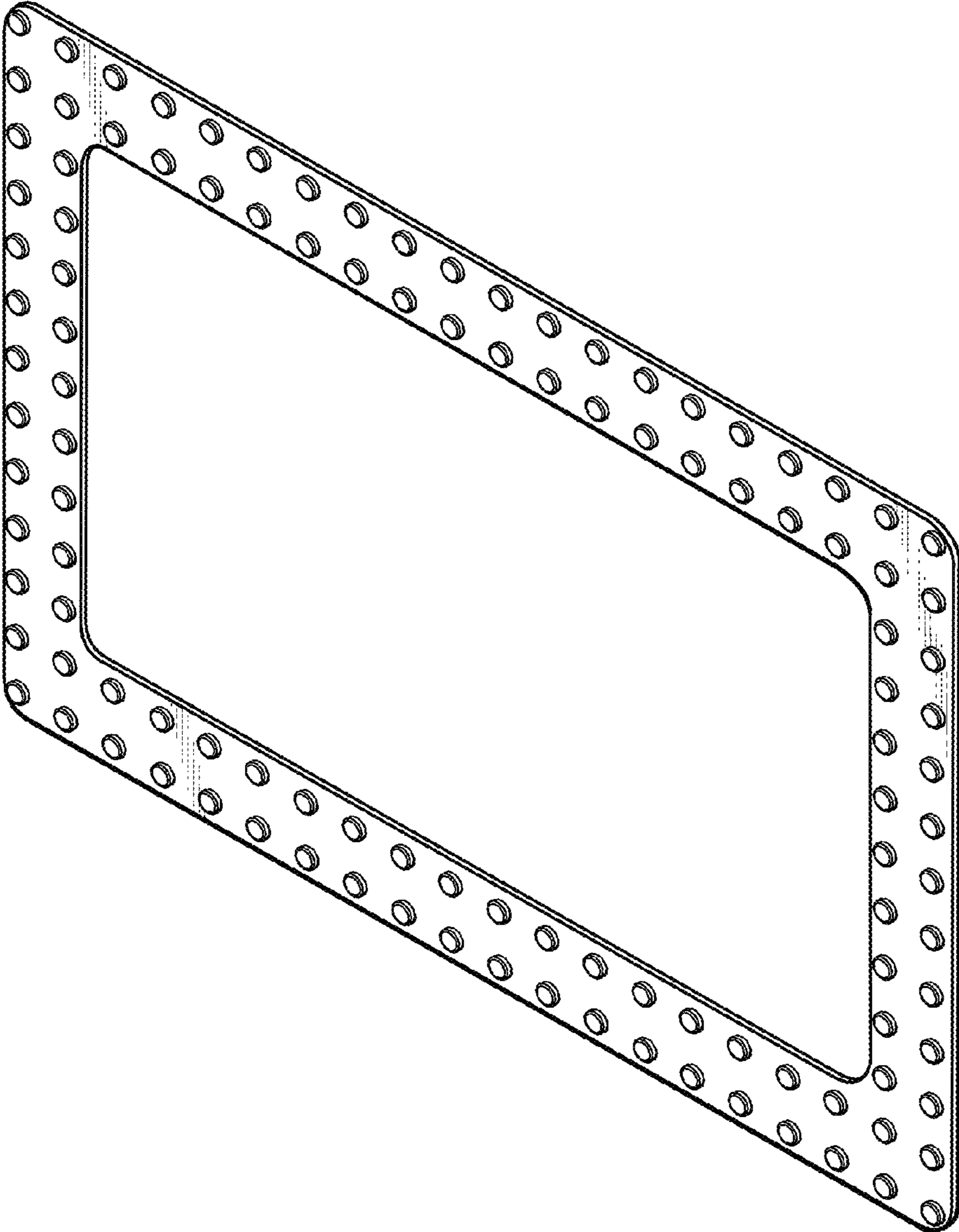
The ornamental design for a baseplate for use with toy pieces, as shown and described.

**DESCRIPTION**

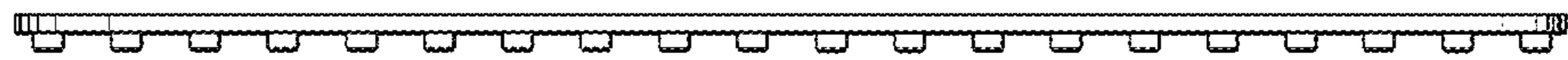
FIG. 1 is a front, right, top view of a baseplate for use with toy pieces showing my new design and illustrating a central open region formed therein;  
FIG. 2 is a top elevation view thereof, the bottom elevation view being identical;  
FIG. 3 is a front plan view thereof;  
FIG. 4 is a left side elevation view thereof, the right side elevation view being identical; and,  
FIG. 5 is a bottom plan view thereof.  
The baseplate for use with toy pieces is used to position and support toy pieces, including toy pieces in the form of a toy bricks, over a generated image display surface, including tablet computer screens.

**1 Claim, 3 Drawing Sheets**

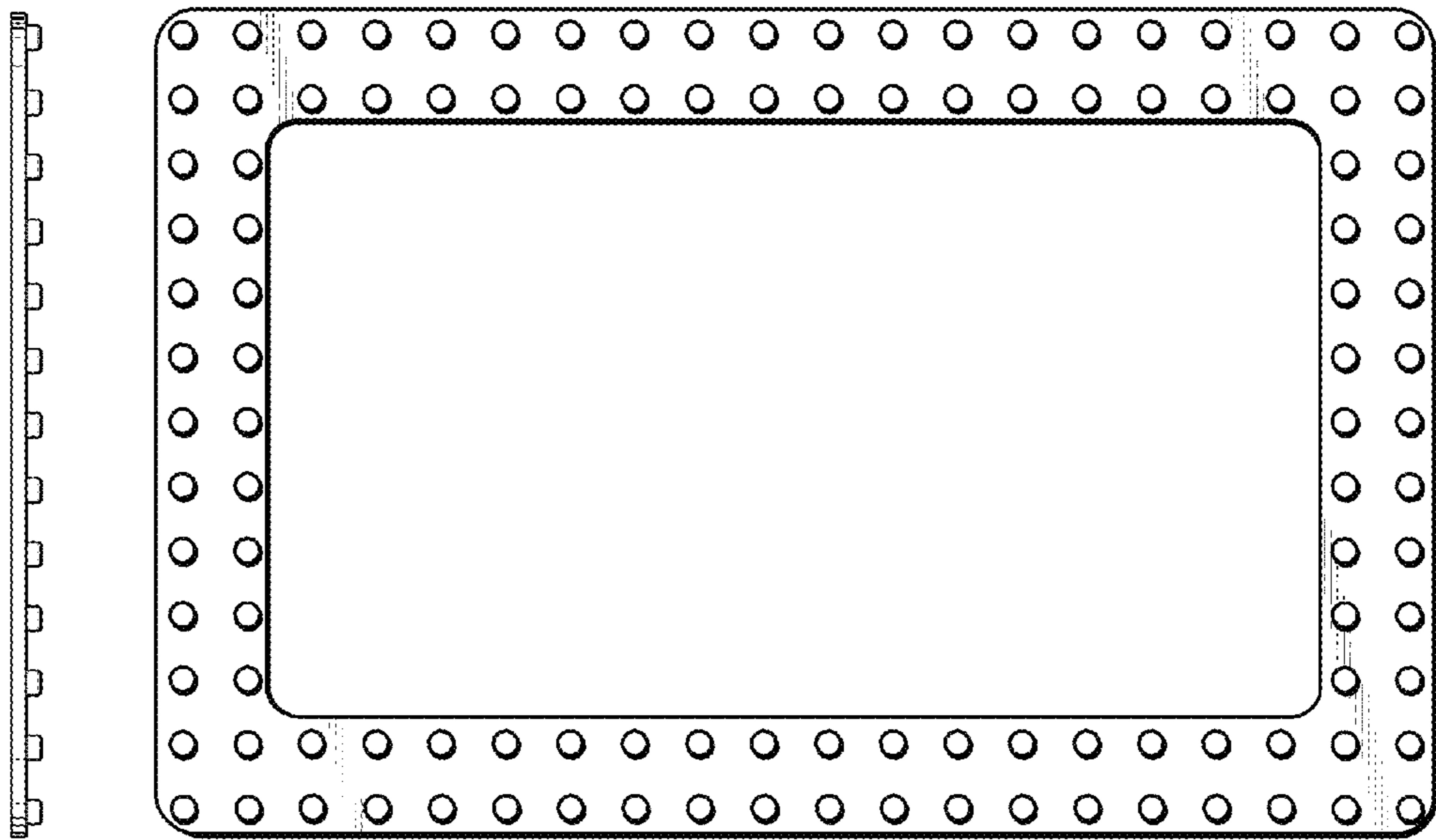




**FIG. 1**



**FIG. 2**



**FIG. 4**

**FIG. 3**



**FIG. 5**