



US00D748202S

(12) **United States Design Patent**
Kennedy

(10) **Patent No.:** **US D748,202 S**
(45) **Date of Patent:** **** Jan. 26, 2016**

(54) **MODULAR CONSTRUCTION PANEL**

(71) Applicant: **Samuel Kennedy**, Toronto (CA)

(72) Inventor: **Samuel Kennedy**, Toronto (CA)

(73) Assignee: **FELTRO INC.**, Toronto (CA)

(**) Term: **14 Years**

(21) Appl. No.: **29/469,961**

(22) Filed: **Oct. 16, 2013**

(51) **LOC (10) Cl.** **21-01**

(52) **U.S. Cl.**
USPC **D21/489**; D21/492

(58) **Field of Classification Search**
USPC D21/386, 484–485, 489–492, 493,
D21/500–505
CPC A63H 33/00; A63H 33/04; A63H 33/16;
G09B 25/00; G09B 25/04; G09B 23/00;
G09B 23/04; A63F 9/06; A63F 9/10; A63F
9/12; A63F 9/20

See application file for complete search history.

(56) **References Cited**

U.S. PATENT DOCUMENTS

168,063	A *	9/1875	Taylor	220/62
3,637,217	A *	1/1972	Kent	273/157 R
3,687,455	A *	8/1972	Odier	273/294
4,182,063	A	1/1980	Kloesel	
4,227,334	A *	10/1980	Hooker	446/488
4,343,471	A *	8/1982	Calvert	273/157 R
4,674,982	A *	6/1987	Mackey	434/188
4,676,507	A *	6/1987	Patterson	273/160
5,301,953	A *	4/1994	Levin	273/276
5,762,529	A *	6/1998	Nizza	446/85

(Continued)

FOREIGN PATENT DOCUMENTS

CA	2051905	6/1992
CA	2366583	8/2000

(Continued)

OTHER PUBLICATIONS

Mosaic Geometric self-adhesive foam shapes, Oriental Trading Company, reviewed Aug. 5, 2010, [online], [retrieved on May 16, 2015] Retrieved from Google search <http://www.orientaltrading.com/mosaic-geometric-self-adhesive-foam-shapes-a2-57_2252.filtr?Ntt=foam%20mosaic>.*

(Continued)

Primary Examiner — Cynthia M Chin

(74) *Attorney, Agent, or Firm* — Perry + Currier Inc.

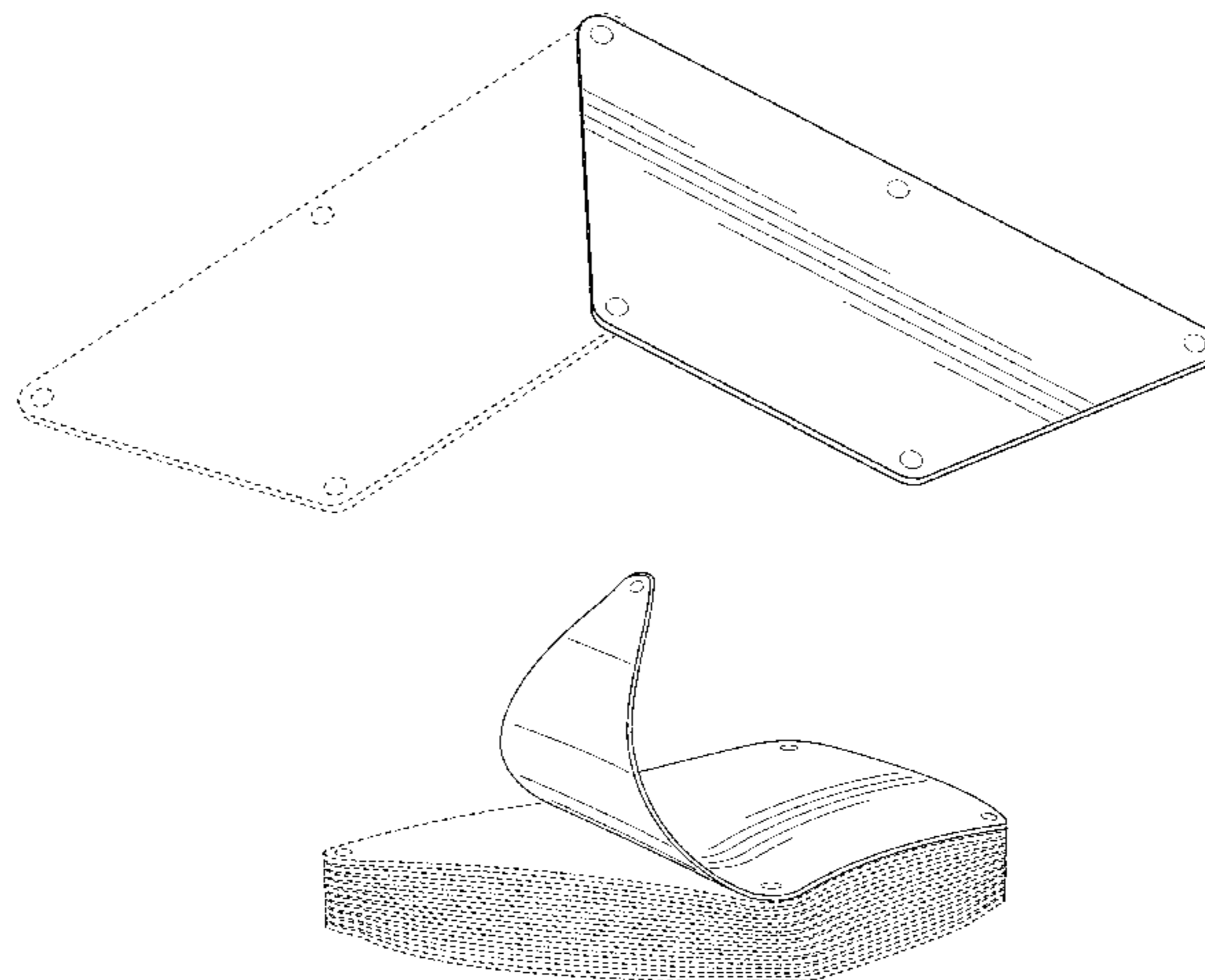
(57) **CLAIM**

The ornamental design for a modular construction panel, as shown and described.

DESCRIPTION

FIG. 1 is a top view of a modular construction panel; FIG. 2 is a front right perspective view of the modular construction panel placed adjacent to a like modular construction panel; FIG. 3 is a front left perspective view of the modular construction panel placed in a stack of like modular construction panels; FIG. 4 is a reduced view of a first example of a structure formed using the modular construction panel and two like modular construction panels; FIG. 5 is a reduced view of a second example of a structure formed using the modular construction panel and three like modular construction panels; FIG. 6 is a reduced view of a third example of a structure formed using the modular construction panel and four like modular construction panels; and, FIG. 7 is a reduced view of a fourth example of a structure formed using the modular construction panel. The broken lines shown in FIGS. 2 through 6 are directed to environment and are for illustrative purposes only; the broken lines form no part of the claimed design.

1 Claim, 4 Drawing Sheets



(56)

References Cited

U.S. PATENT DOCUMENTS

5,819,448	A *	10/1998	Kieves et al.	40/124.06
6,718,670	B2	4/2004	Wang	
7,104,864	B1 *	9/2006	Liou	446/221
D569,064	S *	5/2008	Hinder et al.	D32/25
2009/0133342	A1	5/2009	Copeland	
2013/0112355	A1	5/2013	Roth et al.	
2014/0256210	A1 *	9/2014	Johnson	446/108
2015/0104993	A1 *	4/2015	Kennedy	446/108

FOREIGN PATENT DOCUMENTS

CA	2670298	5/2008
CA	2692560	1/2009

OTHER PUBLICATIONS

Foam Fun!, online: <http://www.amazon.com/Foam-Fun-Magnets-Pattern-Blocks/dp/80015KGFQM> (Undated).
 Fractiles, online: <http://www.fractiles.com/> (Undated).
 Kvadratclouds.com, "Clouds, Unique Design, Uniquely You—Designed by Ronan and Erwan Bouroullec, Presented by Kvadrat".

(2009) Retrieved from <http://web.archive.org/web/20090119080742/http://www.kvadratclouds.com/>, on Jul. 22, 2015.
 Imaginarium, online: <http://www.imaginarium.ie/magnetic-construction-pieces-50065.htm> (Undated).
 Magformers, online: <http://www.mastermindtoys.com/Magformers.aspx> (Undated).
 Magna-Tiles, online: <http://www.magnatiles.com/> (Undated).
 Magnetic Art, online: <http://www.educationalinsights.com/product/magnetic+art.do> (Undated).
 MetroMags, online: <http://www.amazon.com/Metro-Mags-Clear-Colors-Piece/dp/B00A29U2TS> (Undated).
 Moonish, online: <http://www.moonishco.com/> (Undated).
 Non-Final Rejection dated May 28, 2015 for related U.S. Appl. No. 14/055,333.
 PowerClix, online: <http://www.guidecraft.com/products/633637> (Undated).
 Soft Foam Magnets, online: <http://www.learningresources.com/product/soft+foam+magnetic+rainbow+fraction--174--tiles.do#> (Undated).
 Squashblox, online: <http://daydreamtoy.com/our-toys/squashblox/> (Undated).

* cited by examiner

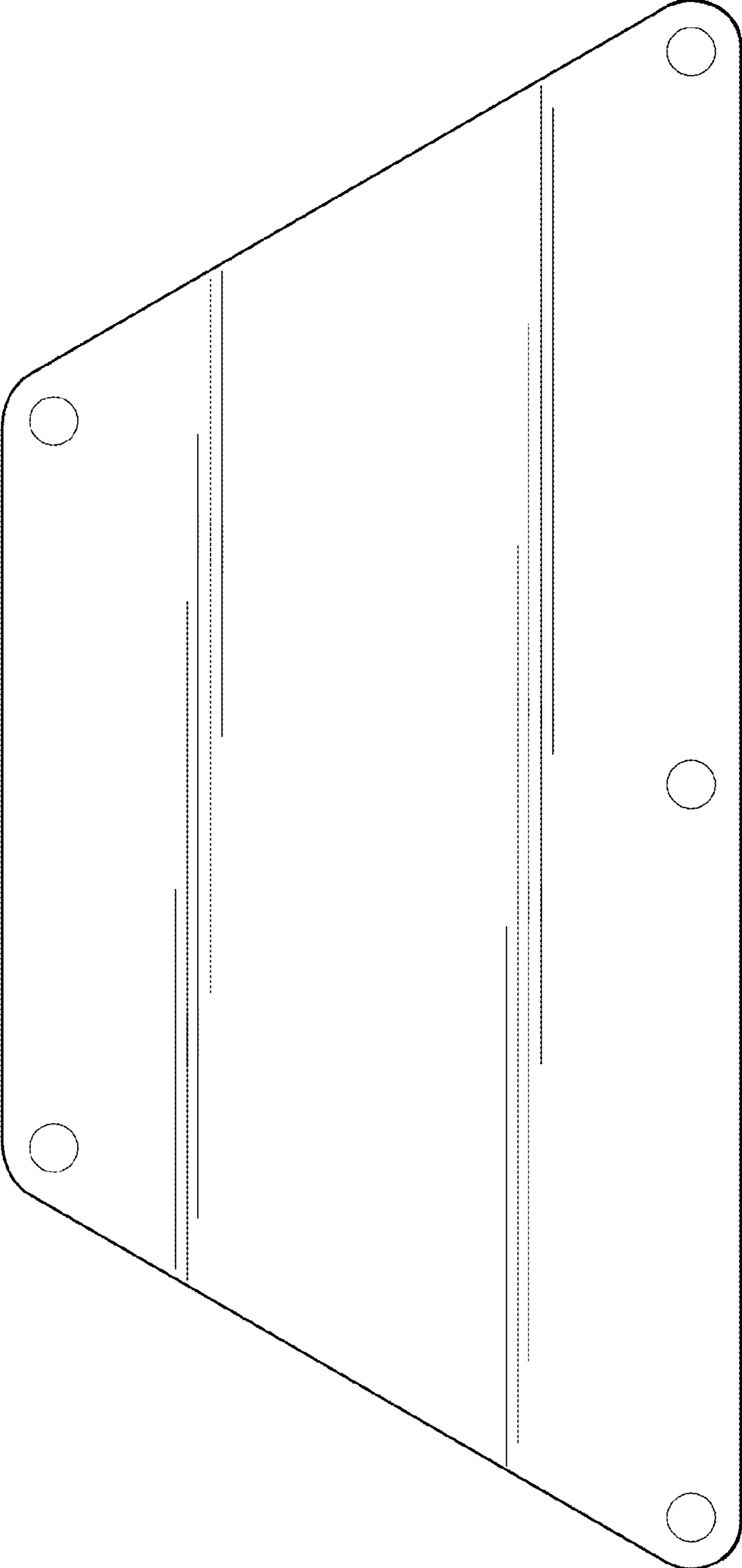


FIG. 1

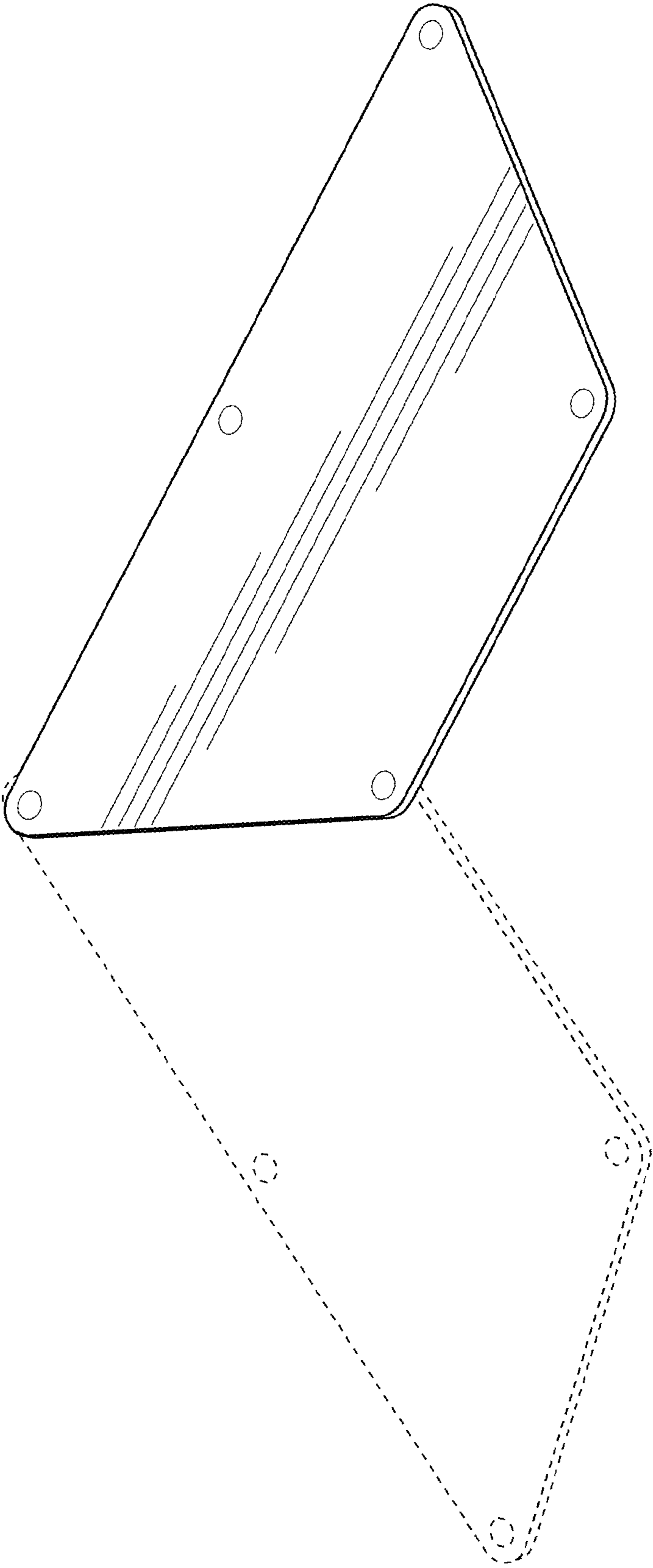


FIG. 2

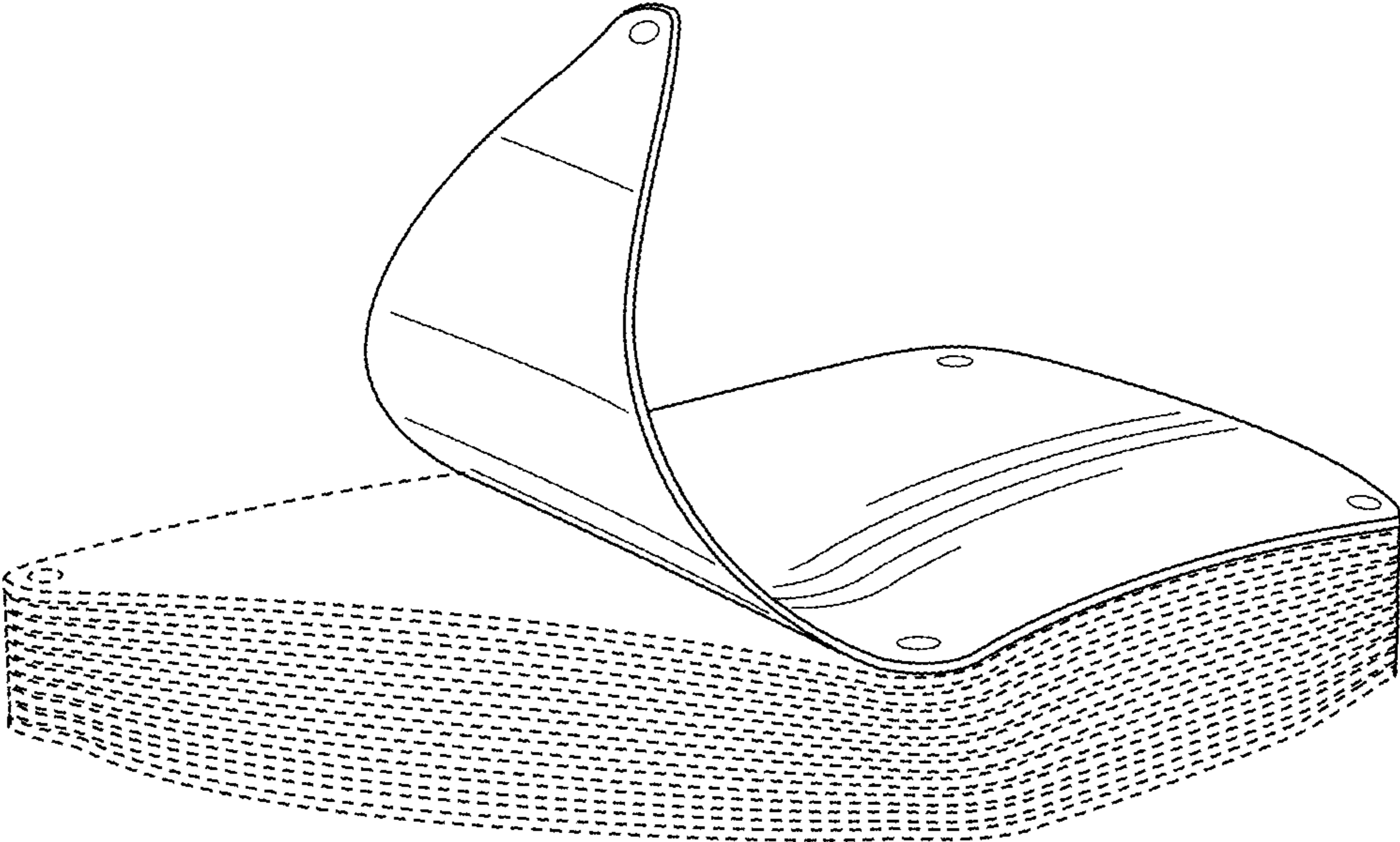


FIG. 3

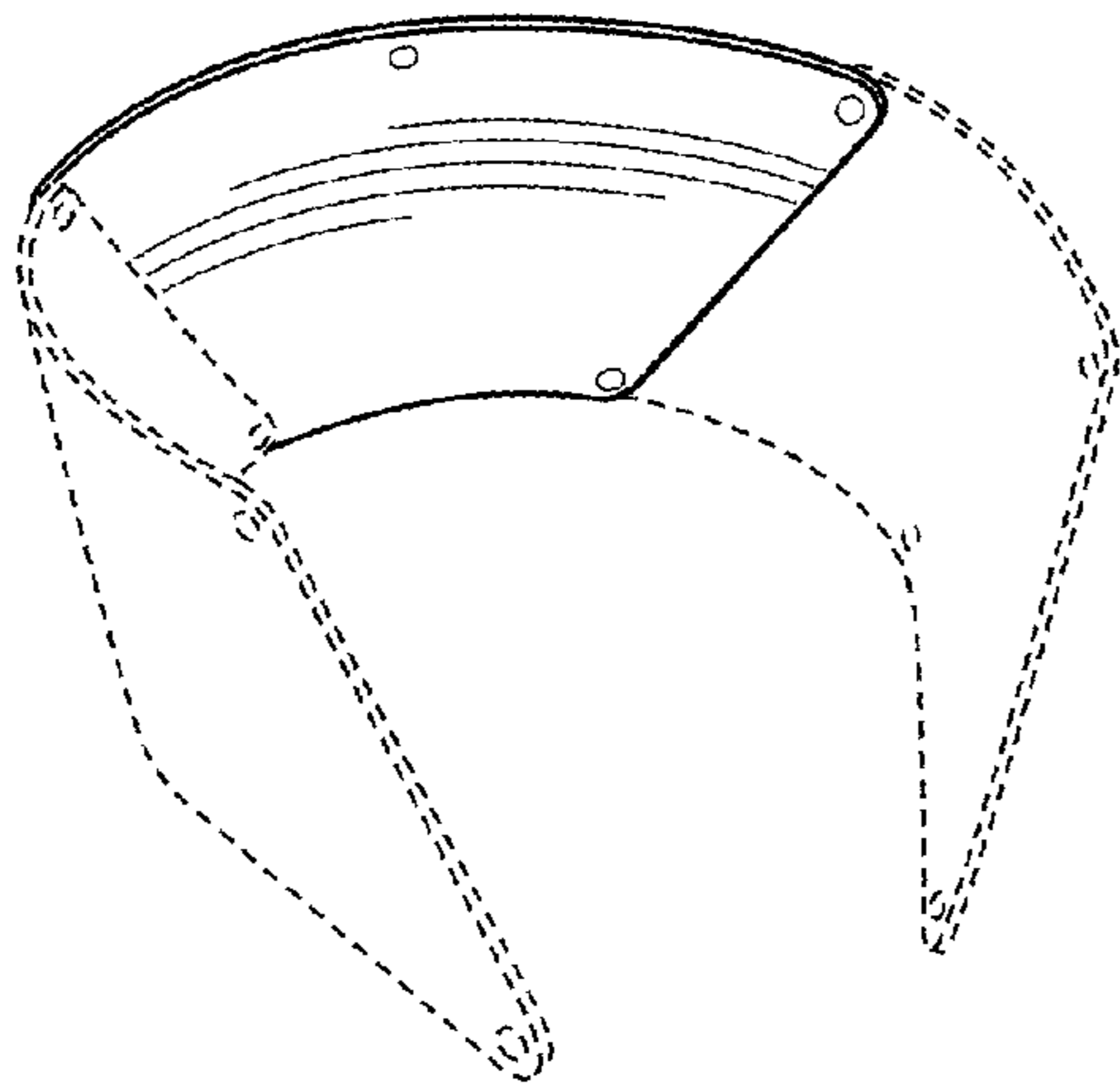


FIG. 4

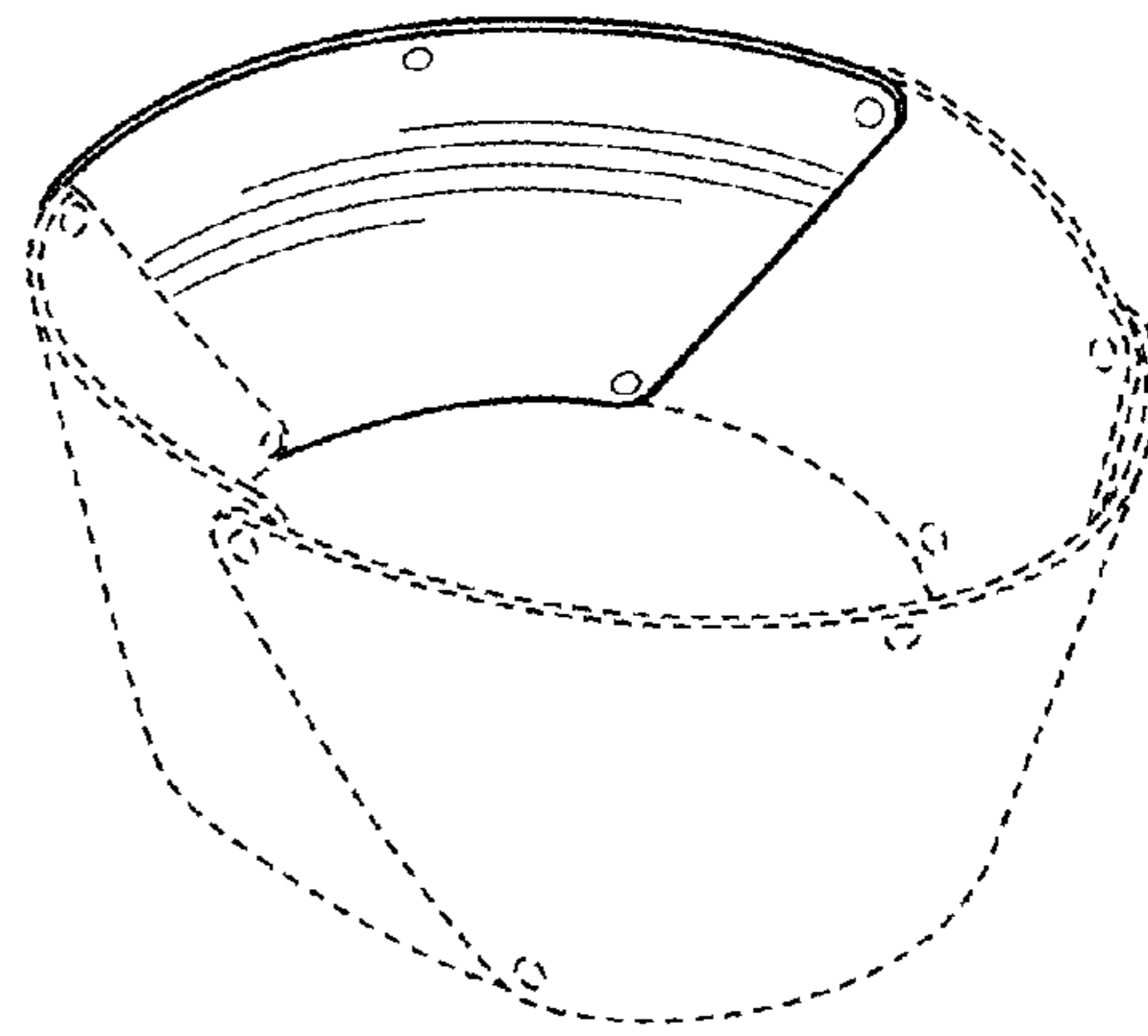


FIG. 5

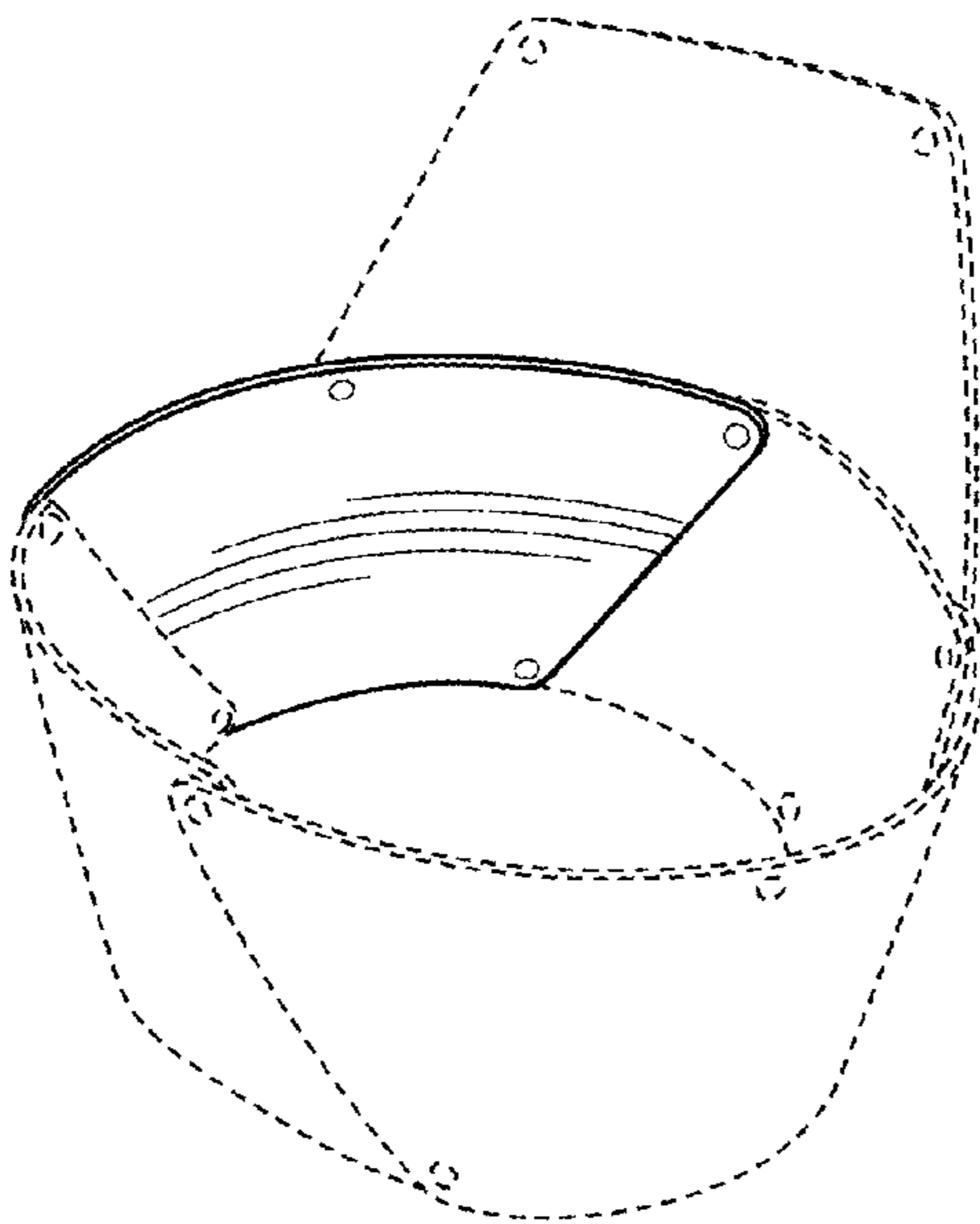


FIG. 6

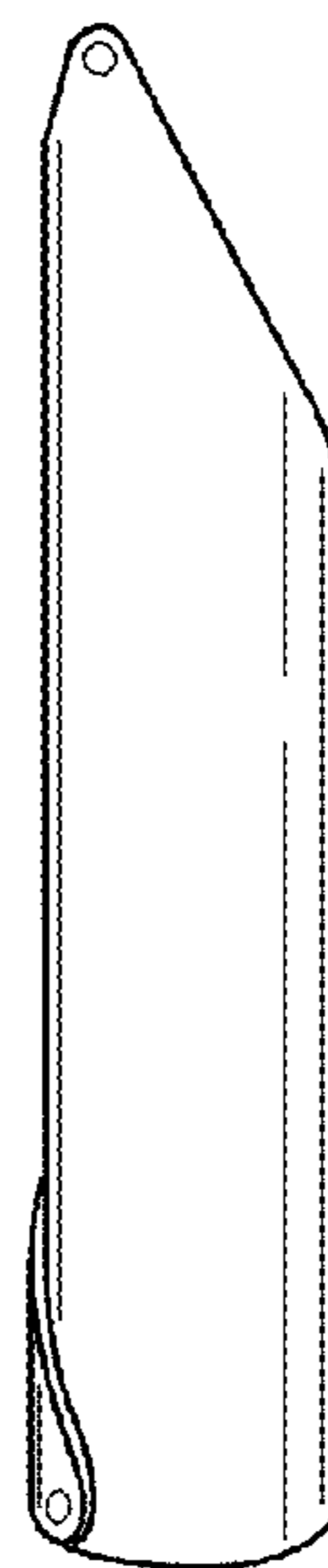


FIG. 7