



US00D748200S

(12) **United States Design Patent**  
**Vignocchi et al.**

(10) **Patent No.:** **US D748,200 S**  
(45) **Date of Patent:** **\*\* Jan. 26, 2016**

(54) **POWER DISK READER**  
(71) Applicant: **Disney Enterprises, Inc.**, Burbank, CA (US)  
(72) Inventors: **John G. Vignocchi**, Studio City, CA (US); **Robert Nelson**, Salt Lake City, UT (US); **Tracy Thurman**, Torrance, CA (US); **Jieun Kim**, San Diego, CA (US); **Jeffrey Bunker**, Cedar Hills, UT (US); **Afsoun Yazdian**, Glendale, CA (US); **John Blackburn**, Bountiful, UT (US); **Armen Mkrtychyan**, Glendale, CA (US)

6,735,324 B1 5/2004 McKinley et al. .... 382/100  
6,761,637 B2 7/2004 Weston et al. .... 463/42  
6,773,325 B1 8/2004 Mawle et al. .... 446/175  
6,835,131 B1 12/2004 White et al. .... 463/1  
6,877,096 B1 4/2005 Chung et al. .... 713/185  
6,967,566 B2 11/2005 Weston et al. .... 340/323 R  
7,001,276 B2 2/2006 Shinoda .... 463/25  
7,066,781 B2 6/2006 Weston .... 446/268  
7,081,033 B1 7/2006 Mawle et al. .... 446/175

(Continued)

**FOREIGN PATENT DOCUMENTS**

GB 2 365 364 2/2002  
WO WO 01/69572 9/2001

(Continued)

**OTHER PUBLICATIONS**

U.S. Appl. No. 60/151,586, filed Aug. 30, 1999 in the name of Tony Forrest Rodriguez, 4 pages.

(Continued)

*Primary Examiner* — Patricia Palasik  
(74) *Attorney, Agent, or Firm* — Sheppard Mullin Richter & Hampton LLP

(73) Assignee: **Disney Enterprises, Inc.**, Burbank, CA (US)  
(\*\*) Term: **14 Years**  
(21) Appl. No.: **29/443,306**  
(22) Filed: **Jan. 15, 2013**  
(51) **LOC (10) Cl.** ..... **21-01**  
(52) **U.S. Cl.**  
USPC ..... **D21/329**  
(58) **Field of Classification Search**  
USPC ..... D21/324, 329, 333; 463/1, 29-39, 46, 463/47; 345/156-161, 905  
See application file for complete search history.

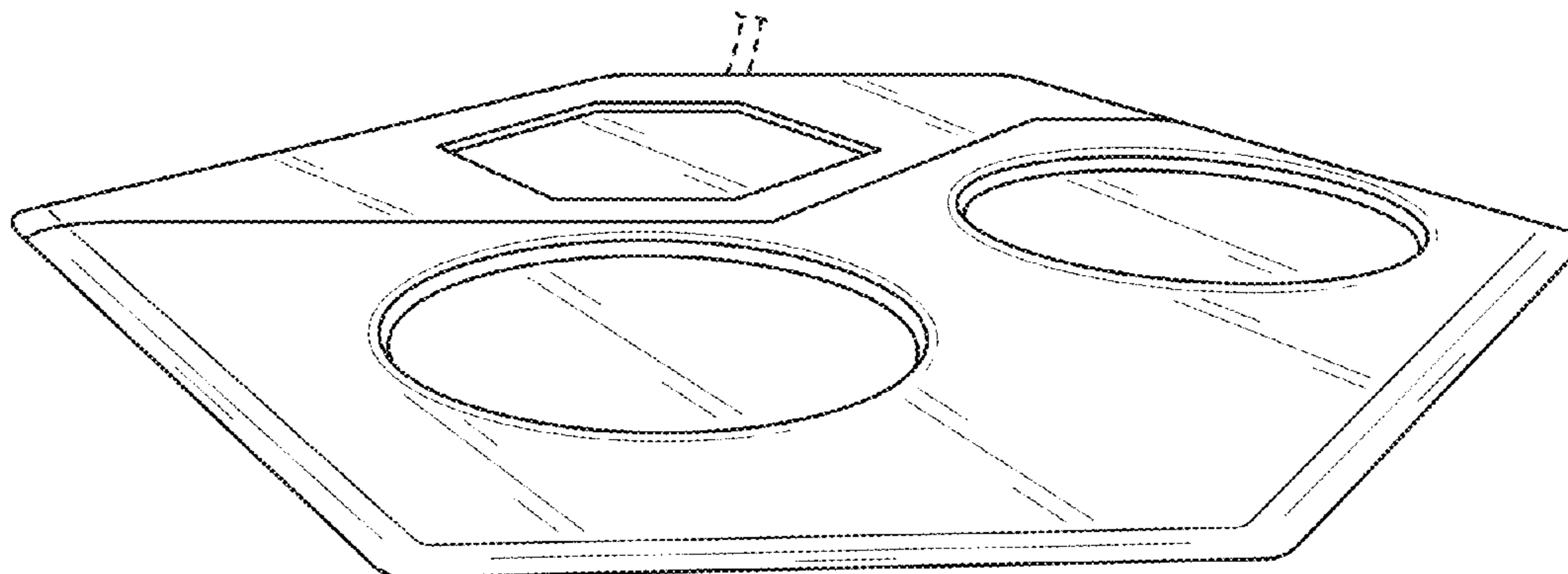
(57) **CLAIM**  
The ornamental design for a power disk reader, as shown and described.

**DESCRIPTION**

FIG. 1 is a front-side view of the power disk reader; FIG. 2 is a perspective view of the front side of the power disk reader; FIG. 3 is a back-side view of the power disk reader; and, FIG. 4 is a perspective view of the back side of the power disk reader.  
The subject matter in broken lines forms no part of the claim.

(56) **References Cited**  
**U.S. PATENT DOCUMENTS**  
5,190,285 A 3/1993 Levy et al. .... 273/85 G  
5,766,077 A 6/1998 Hongo .... 463/30  
5,853,327 A 12/1998 Gilboa .... 463/39  
5,855,483 A 1/1999 Collins et al. .... 434/322  
6,354,947 B1 3/2002 Dobrusskin et al. .... 463/43  
6,361,396 B1 3/2002 Snyder et al. .... 446/397  
6,364,735 B1 4/2002 Bristow et al. .... 446/397  
6,650,870 B2 11/2003 White et al. .... 455/41

**1 Claim, 4 Drawing Sheets**



(56)

**References Cited**

## U.S. PATENT DOCUMENTS

- 7,244,183 B1 7/2007 England ..... 463/48  
7,297,063 B2 11/2007 Fujisawa et al. .... 463/43  
D559,327 S \* 1/2008 Luk et al. .... D21/332  
7,338,377 B2 3/2008 Shinoda ..... 463/47  
7,426,642 B2 9/2008 Aupperle et al. .... 713/185  
7,488,231 B2 2/2009 Weston ..... 446/175  
7,502,759 B2 3/2009 Hannigan et al. .... 705/51  
7,534,157 B2 5/2009 Ganz ..... 446/175  
7,636,783 B2 12/2009 Heutchy et al. .... 709/227  
7,677,948 B2 3/2010 Ganz ..... 446/175  
D620,256 S \* 7/2010 Fujimura et al. .... D3/294  
D620,257 S \* 7/2010 Fujimura et al. .... D3/294  
7,789,726 B2 9/2010 Ganz ..... 446/175  
D626,978 S \* 11/2010 Huh ..... D15/126  
7,843,334 B2 11/2010 Kumagai et al. .... 340/539.13  
7,843,471 B2 11/2010 Doan et al. .... 345/633  
7,846,004 B2 12/2010 Ganz ..... 446/175  
7,883,416 B2 2/2011 Dobrusskin et al. .... 463/37  
7,883,420 B2 2/2011 Bradbury et al. .... 463/43  
7,886,156 B2 2/2011 Franchi ..... 713/186  
7,905,779 B2 3/2011 Dyke et al. .... 463/30  
7,933,968 B1 4/2011 Zimmerman ..... 709/217  
8,002,605 B2 8/2011 Ganz ..... 446/175  
D645,910 S \* 9/2011 Foster et al. .... D21/333  
8,025,573 B2 9/2011 Stenton et al. .... 463/43  
8,033,901 B2 10/2011 Wood ..... 463/1  
D657,426 S \* 4/2012 Gomez ..... D21/330  
D666,249 S \* 8/2012 Minchella Jennings  
et al. .... D21/333  
8,323,068 B2 12/2012 Ganetakos et al. .... 446/175  
8,401,913 B2 3/2013 Alivandi ..... 705/26.1  
D680,594 S \* 4/2013 Mercier et al. .... D21/330  
D687,106 S \* 7/2013 Menting ..... D21/398  
8,726,172 B1 5/2014 Vignocchi et al. .... 715/757  
D710,945 S \* 8/2014 Biheller et al. .... D21/333  
8,864,589 B2 10/2014 Reiche, III ..... 463/44  
8,904,298 B2 12/2014 Nelson et al. .... 715/757  
8,909,920 B2 12/2014 Vignocchi et al. .... 713/159  
8,910,266 B2 12/2014 Vignocchi et al. .... 726/9  
2003/0037075 A1 2/2003 Hannigan et al. .... 707/500  
2004/0029625 A1 2/2004 Annunziata ..... 463/1  
2004/0092311 A1 5/2004 Weston et al. .... 463/42  
2004/0266505 A1 12/2004 Keam et al. .... 463/1  
2005/0245302 A1 11/2005 Bathiche et al. .... 463/1  
2006/0009287 A1 1/2006 Engelfriet ..... 463/35  
2006/0094501 A1 5/2006 O'Leary et al. .... 463/30  
2007/0015588 A1 1/2007 Matsumoto et al. .... 463/43  
2007/0087839 A1 4/2007 Bradbury et al. .... 463/43  
2007/0197297 A1 8/2007 Witchey ..... 463/42  
2007/0211047 A1 9/2007 Doan et al. .... 345/419  
2008/0085773 A1 4/2008 Wood ..... 463/43  
2008/0161113 A1 7/2008 Hansen et al. .... 463/42  
2008/0280684 A1 11/2008 McBride et al. .... 463/42  
2008/0300053 A1 12/2008 Muller ..... 463/31  
2009/0002377 A1 1/2009 Lee et al. .... 345/473  
2009/0023487 A1 1/2009 Gilson et al. .... 463/11  
2009/0053970 A1 2/2009 Borge ..... 446/268  
2009/0137323 A1 5/2009 Fiegenger et al. .... 463/43  
2009/0197658 A1 8/2009 Polchin ..... 463/9  
2009/0203446 A1 8/2009 Bradbury et al. .... 463/40  
2009/0291764 A1 11/2009 Kirkman et al. .... 463/43  
2009/0307611 A1 12/2009 Riley ..... 715/757  
2010/0023492 A1 1/2010 Lucas ..... 707/3  
2010/0151940 A1 6/2010 Borge ..... 463/29  
2011/0045913 A1 2/2011 Walker et al. .... 463/42  
2011/0107239 A1 5/2011 Adoni et al. .... 715/757  
2011/0231781 A1 9/2011 Betzler et al. .... 715/757  
2011/0250954 A1 10/2011 Braund ..... 463/29  
2011/0263322 A1 10/2011 Van Luchene ..... 463/29  
2011/0263332 A1 10/2011 Mizrachi ..... 463/42  
2011/0288914 A1 11/2011 Guthrie ..... 705/14.4  
2011/0294574 A1 12/2011 Yamada et al. .... 463/30  
2012/0015748 A1 1/2012 Osada ..... 463/43  
2012/0064968 A1 3/2012 Youm et al. .... 463/29  
2012/0142429 A1 6/2012 Muller ..... 463/42  
2012/0172131 A1 7/2012 Boswell et al. .... 463/42  
2012/0238362 A1 9/2012 Janis et al. .... 463/31  
2012/0295702 A1 11/2012 Otero et al. .... 463/31  
2012/0295703 A1 11/2012 Reiche et al. .... 763/31  
2012/0295704 A1 11/2012 Reiche et al. .... 463/31  
2012/0302356 A1 11/2012 Annunziata ..... 463/42  
2012/0311688 A1 12/2012 Lemus et al. .... 726/8  
2012/0315983 A1 12/2012 Miller, IV et al. .... 463/29  
2012/0331529 A1 12/2012 Ibel et al. .... 726/4  
2013/0079132 A1 3/2013 Archer et al. .... 463/31  
2013/0290137 A1 10/2013 Olomskiy ..... 405/26.41  
2013/0290147 A1 10/2013 Chandra et al. .... 705/27.1  
2013/0296043 A1 11/2013 Weinshanker et al. .... 463/30  
2014/0066209 A1 3/2014 Annambhotla ..... 463/42  
2014/0176534 A1 6/2014 Vignocchi et al. .... 345/419  
2014/0179418 A1 6/2014 Vignocchi et al. .... 463/29  
2014/0179443 A1 6/2014 Vignocchi et al. .... 463/43  
2014/0179444 A1 6/2014 Vignocchi et al. .... 463/43  
2014/0181062 A1 6/2014 Vignocchi et al. .... 707/705  
2014/0181507 A1 6/2014 Vignocchi et al. .... 713/159  
2014/0181706 A1 6/2014 Vignocchi ..... 715/764  
2014/0181820 A1 6/2014 Vignocchi et al. .... 718/100  
2014/0181994 A1 6/2014 Vignocchi et al. .... 726/28  
2014/0223534 A1 8/2014 Vignocchi et al. .... 726/9  
2014/0304624 A1 10/2014 Nelson et al. .... 715/757

## FOREIGN PATENT DOCUMENTS

WO WO 01/69830 9/2001  
WO WO 03/043709 5/2003  
WO WO 2007/101785 9/2007

## OTHER PUBLICATIONS

U.S. Appl. No. 60/288,272, filed May 2, 2001 in the name of Ravi K. Sharma et al., 31 pages.  
U.S. Appl. No. 60/297,229, filed Jun. 7, 2001 in the name of Brett T. Hannigan et al., 46 pages.  
U.S. Appl. No. 60/335,908, filed Nov. 14, 2001 in the name of Stephen C. Beck, 120 pages.  
U.S. Appl. No. 60/355,856, filed Feb. 10, 2002 in the name of Brett T. Hannigan et al., 53 pages.  
Varney, Allen et al., "Paranoia XP", Mongoose Publishing, Dec. 31, 2004, ISBN: 978-1-904854-26-5, retrieved from the Internet: URL:[http://fc09.deviantart.net/fs71/f/2012/316/e/6/paranoia\\_player\\_section\\_by\\_atta\\_crossroads-d4zxv52.pdf](http://fc09.deviantart.net/fs71/f/2012/316/e/6/paranoia_player_section_by_atta_crossroads-d4zxv52.pdf), retrieved Apr. 16, 2014, 110 pages.  
Diablo III, Wikipedia.org, online, accessed via the Internet, accessed Jun. 26, 2014, URL: <[http://en.wikipedia.org/wiki/Diablo\\_III](http://en.wikipedia.org/wiki/Diablo_III)>, 25 pages.  
Stash, Diablowiki.net, online, accessed via the Internet, accessed Jun. 26, 2014, URL: <<http://www.diablowiki.net/Stash>>, 7 pages.  
Gear Sets, Diablowiki.net, online, accessed via the Internet, accessed Jun. 26, 2014, URL: <[http://www.diablowiki.net/Gear\\_sets](http://www.diablowiki.net/Gear_sets)>, 8 pages.  
Weapons, Diablowiki.net, online, accessed via the Internet, accessed Jun. 26, 2014, URL: <<http://www.diablowiki.net/Weapons>>, 7 pages.  
Fundamentals, Battle.net, online, accessed via the Internet, accessed Jun. 26, 2014, URL: <<http://us.battle.net/d3/en/game/guide/gameplay/fundamentals>>, 13 pages.  
Inventory, Battlet.net, online, accessed via the Internet, accessed Jun. 26, 2014, URL: <<http://us.battle.net/d3/en/game/guide/items/inventory>>, 9 pages.  
Toy Story 3: The Video Game, Wikipedia.org, online, accessed via the Internet, accessed Jun. 26, 2014, URL: <[http://en.wikipedia.org/wiki/Toy\\_Story\\_3:\\_The\\_Video\\_Game](http://en.wikipedia.org/wiki/Toy_Story_3:_The_Video_Game)>, 10 pages.  
Toy Story 3 Toy Box Mode Demo, Youtube.com, online, May 8, 2010, accessed via the Internet, accessed Jun. 26, 2014, URL: <<http://www.youtube.com/watch?v=Do84qnpfUvQ>>, 2 pages.  
Crecente, Brian, "Diving Into Toy Story 3's Toy Box", Kotaku.com, online, May 20, 2010, accessed via the Internet, accessed Jun. 26, 2014, URL: <<http://kotaku.com/5543513/diving-into-toy-story-3s-toy-box>>, 4 pages.

(56)

**References Cited**

OTHER PUBLICATIONS

Whitehead, Dan, "Toy Story 3 Page 2", Eurogamer.net, online, Jul. 14, 2010, accessed via the Internet, accessed Jun. 26, 2014, URL: <<http://www.eurogamer.net/articles/toy-story-3-review?page=2>>, 2 pages.

[Guide] Item Drops That Starts Quest [LvL 1-85 Zones]. Eu.battle.net. Online. Dec. 31, 2010. Accessed via the Internet. Accessed Nov. 13, 2014. <URL:<http://eu.battle.net/wow/en/forum/topic/1415204550>>, 18 pages.

Blood Elf Plans. Eu.battle.net. Online. Accessed via the Internet. Accessed Nov. 13, 2014. <URL:<http://eu.battle.net/wow/en/item/24414>>, 2 pages.

\* cited by examiner

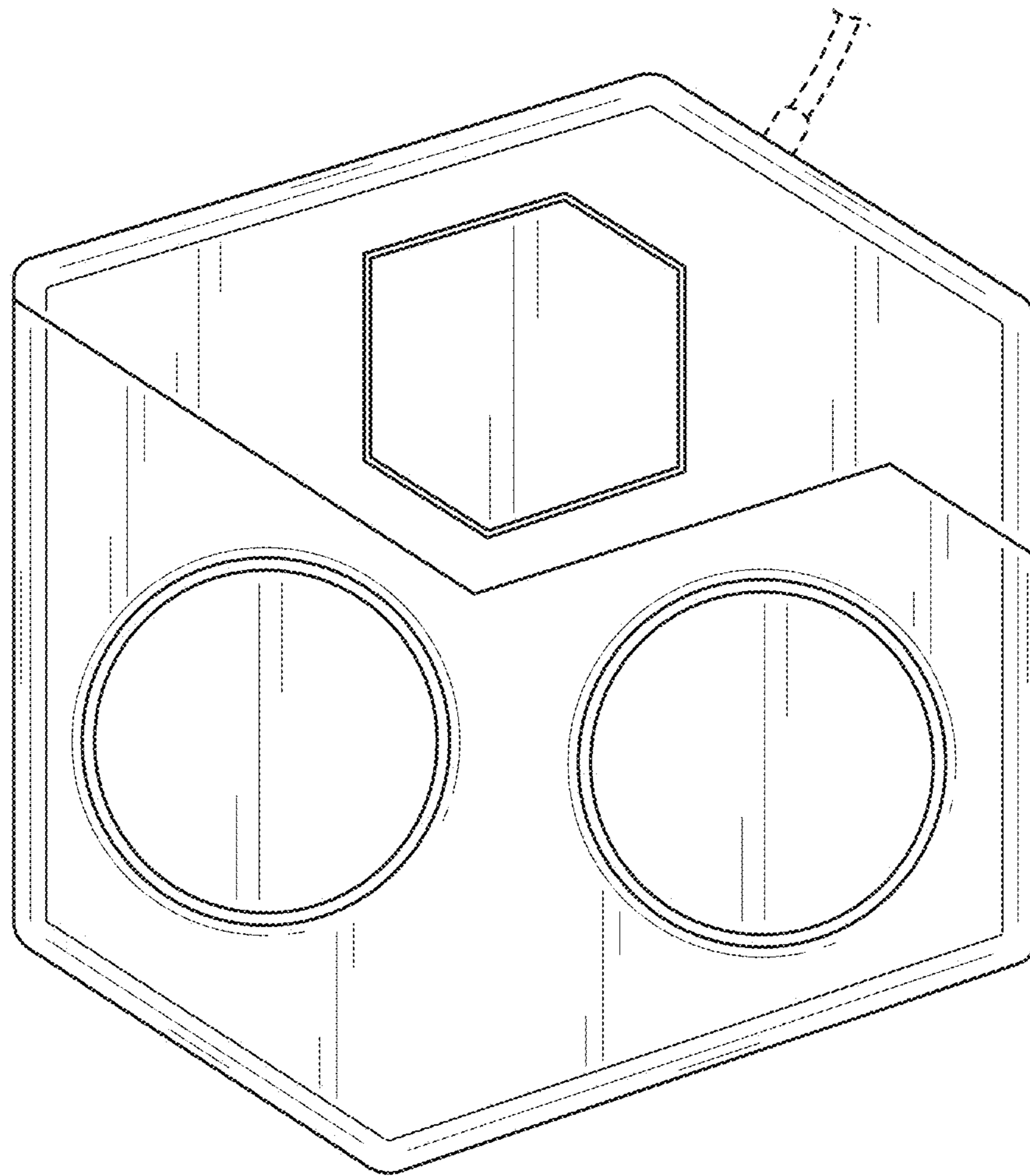


FIG. 1

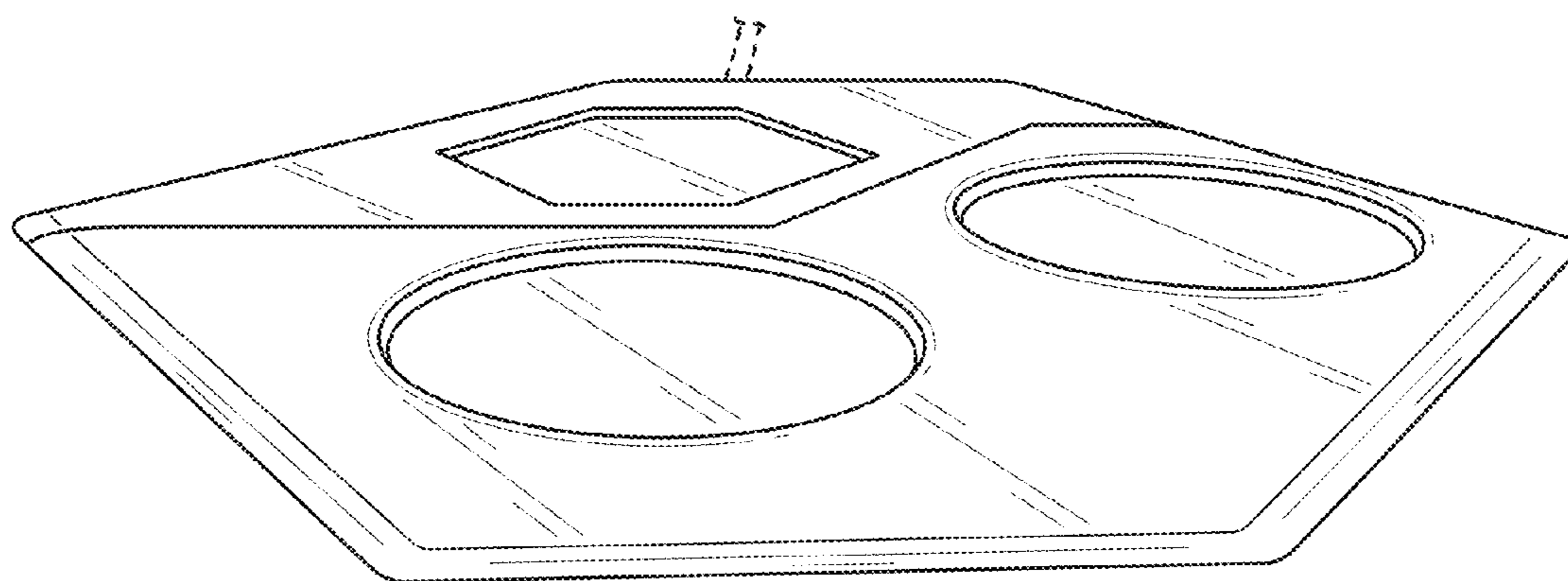


FIG. 2

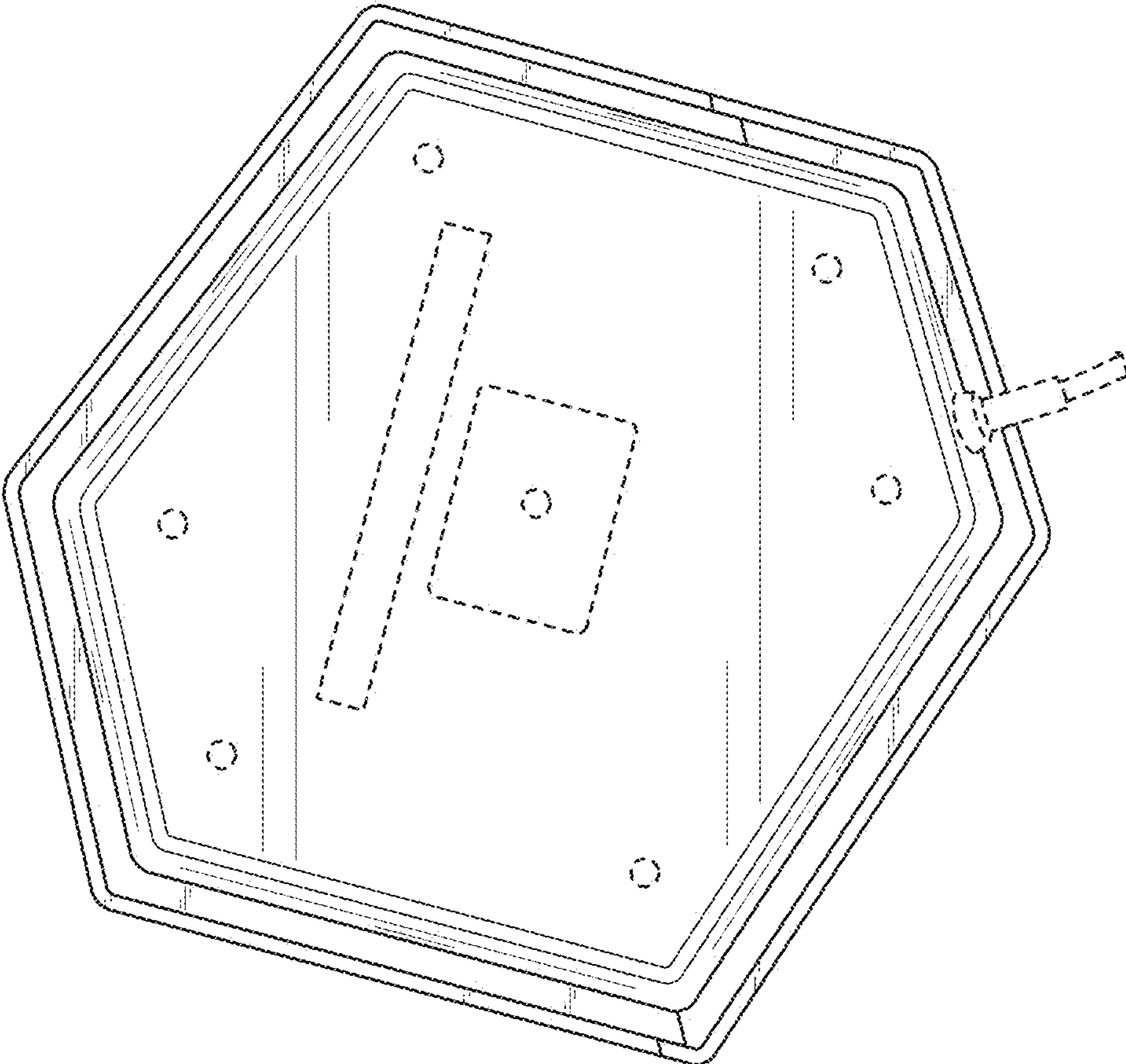


FIG. 3

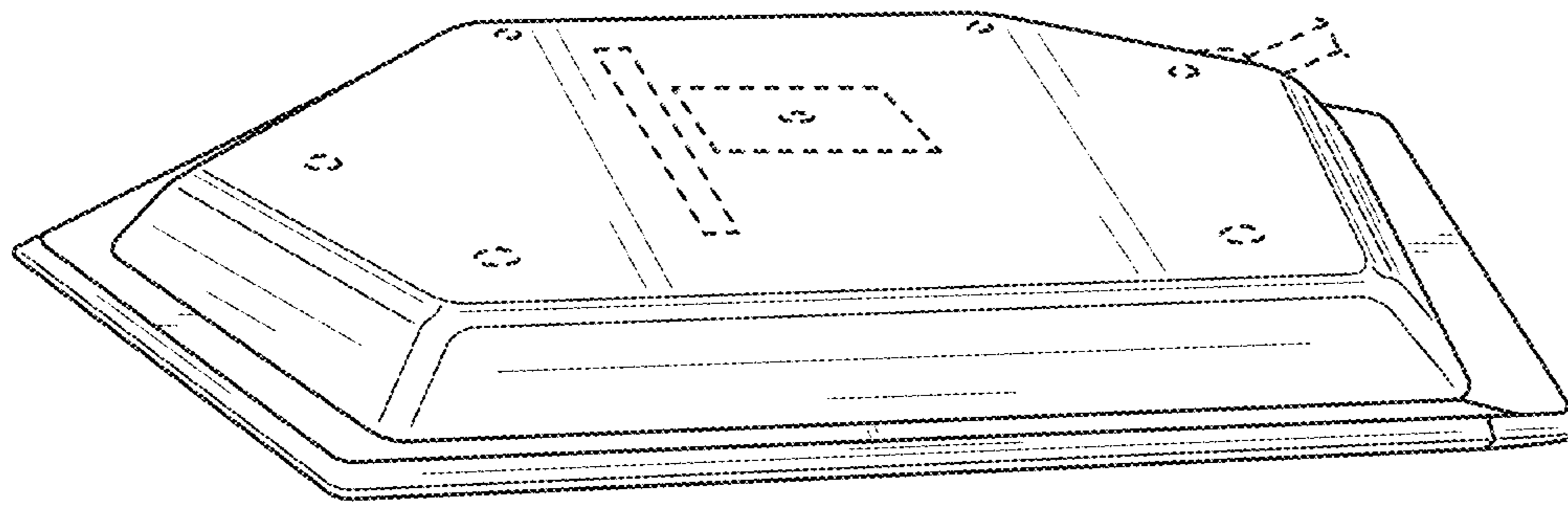


FIG. 4