



US00D748198S

(12) **United States Design Patent**
Nally

(10) **Patent No.:** **US D748,198 S**
(45) **Date of Patent:** **** Jan. 26, 2016**

(54) **MULTIPLE TARGET GAME**

DESCRIPTION

- (71) Applicant: **Eastpoint Sports Ltd., LLC**, Whippany, NJ (US)
- (72) Inventor: **Michael Nally**, Whippany, NJ (US)
- (73) Assignee: **Eastpoint Sports Ltd., LLC**, Succasunna, NJ (US)
- (**) Term: **14 Years**
- (21) Appl. No.: **29/498,204**
- (22) Filed: **Jul. 31, 2014**
- (51) **LOC (10) Cl.** **21-01**
- (52) **U.S. Cl.**
USPC **D21/302**
- (58) **Field of Classification Search**
USPC D21/300, 302, 303, 318, 334; 273/317, 273/331, 336, 398, 400, 402, 407, 408, 410, 273/118 R, 123 R, 236, 348, 386, 287; 473/569, 578, 592, 454
CPC A63B 63/00; A63B 67/00; A63B 71/00
See application file for complete search history.

(56) **References Cited**

U.S. PATENT DOCUMENTS

- 285,396 A 9/1883 De Windt
 - 1,942,280 A * 1/1934 Fohmann 273/129 R
- (Continued)

Primary Examiner — Prabhakar Deshmukh
(74) *Attorney, Agent, or Firm* — Thomas J. Oppold; Larkin Hoffman Daly & Lindgren, Ltd.

(57) **CLAIM**
The ornamental design for a multiple target game, as shown and described.

FIG. 1 is a top perspective view of a multiple target game of the present design;

FIG. 2 is a rear elevation thereof, with a target net cover attached showing a ladder target game configuration;

FIG. 3 is a front elevation view of FIG. 2;

FIG. 4 is a right side elevation view of FIG. 2;

FIG. 5 is a left side elevation view of FIG. 2;

FIG. 6 is a top plan view of FIG. 2;

FIG. 7 is a bottom plan view of FIG. 2;

FIG. 8 is a top perspective view thereof, shown in an alternate position and showing a bean bag target game configuration;

FIG. 9 is a bottom perspective view of FIG. 8;

FIG. 10 is a rear elevation view of FIG. 8;

FIG. 11 is a front elevation view of FIG. 8;

FIG. 12 is a right side elevation view of FIG. 8;

FIG. 13 is a left side elevation view of FIG. 8;

FIG. 14 is a top plan view of FIG. 8;

FIG. 15 is a bottom plan view of FIG. 8;

FIG. 16 is a top perspective view thereof, shown in another alternate position and showing a disc toss game configuration;

FIG. 17 is a bottom perspective view of FIG. 16;

FIG. 18 is a rear elevation view of FIG. 16;

FIG. 19 is a front elevation view of FIG. 16;

FIG. 20 is a right side elevation view of FIG. 16;

FIG. 21 is a left side elevation view of FIG. 16;

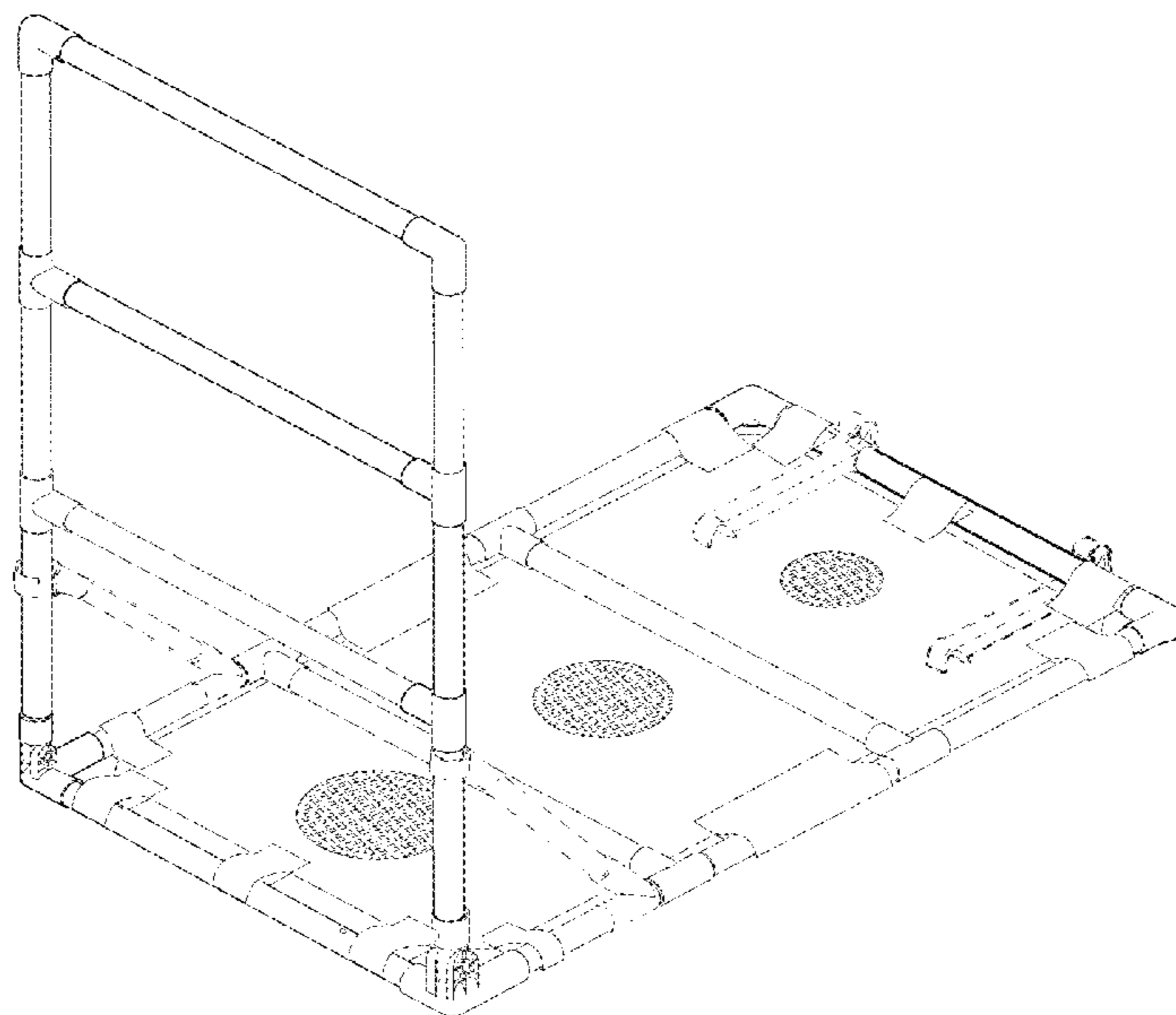
FIG. 22 is a top plan view of FIG. 16; and,

FIG. 23 is a bottom plan view of FIG. 16.

FIG. 1 discloses a basic configuration of a multiple target game. FIGS. 2-7, 8-15 and 16-23 disclose the ladder ball, bean bag, and disc toss games respectively in configuration with FIG. 1.

The broken lines indicate unclaimed portions and form no part of the claimed design.

1 Claim, 16 Drawing Sheets



(56)

References Cited

U.S. PATENT DOCUMENTS

2,170,850	A *	8/1939	Bonnett et al.	273/403	7,328,902	B1	2/2008	White et al.
D192,148	S *	1/1962	Brodie	D21/303	7,377,516	B2	5/2008	Vallee et al.
4,487,419	A	12/1984	Welbourn		D576,685	S	9/2008	Queally
D288,828	S	3/1987	Romestan et al.		7,500,674	B2	3/2009	Riley et al.
4,938,485	A	7/1990	Hockridge et al.		D591,358	S	4/2009	Moore
4,943,065	A	7/1990	DeLapa		7,607,666	B1	10/2009	Studier
4,961,586	A	10/1990	Conville		7,703,771	B2	4/2010	Hunt et al.
4,982,966	A	1/1991	Teafatiller		D621,881	S	8/2010	Youngberg et al.
5,056,796	A	10/1991	Conville		7,802,795	B2	9/2010	Bos
5,165,695	A	11/1992	Yoder		D626,181	S	10/2010	Lima
5,201,527	A	4/1993	Koket		D635,196	S	3/2011	Voden
D340,082	S *	10/1993	DeLapa	D21/303	D635,197	S	3/2011	Pryor
5,333,879	A	8/1994	Barnes		7,959,154	B2 *	6/2011	Ball 273/407
D363,953	S	11/1995	Buse		D645,520	S	9/2011	Dahl
D375,530	S *	11/1996	Rudd	D21/303	D646,334	S	10/2011	Ingram
5,678,824	A *	10/1997	Fortier et al.	273/407	D649,601	S	11/2011	Buchanan
5,871,216	A	2/1999	Sparacino		8,127,689	B2	3/2012	Christian et al.
5,882,010	A	3/1999	Geror		8,128,093	B1	3/2012	Gerrish
D408,462	S *	4/1999	Frycz	D21/303	8,157,265	B2	4/2012	Conville et al.
5,909,877	A	6/1999	Bour		8,162,318	B1	4/2012	Peterson et al.
D428,061	S	7/2000	Billodeau et al.		2002/0079645	A1	6/2002	Brown
D438,910	S *	3/2001	Culberson	D21/303	2005/0051968	A1	3/2005	Froesel
6,244,598	B1	6/2001	Conville		2005/0269784	A1	12/2005	Peters
6,308,956	B1	10/2001	Reid		2006/0022409	A1	2/2006	Zimmermann
6,435,512	B1 *	8/2002	Beckwith, Sr.	273/407	2006/0125184	A1	6/2006	Benson
D474,246	S *	5/2003	Carr	D21/303	2007/0080499	A1	4/2007	Greiwe et al.
D478,357	S	8/2003	Penna		2007/0257438	A1	11/2007	Deal
D478,939	S	8/2003	McReynolds		2008/0042360	A1	2/2008	Veikley
D479,279	S	9/2003	Kessler, Jr. et al.		2008/0048397	A1	2/2008	Mancini
6,773,014	B2	8/2004	Lynch		2008/0220913	A1	9/2008	Cosenza
6,808,175	B1	10/2004	Gleeson		2008/0237990	A1	10/2008	Litz
6,837,809	B2 *	1/2005	Majumdar	473/454	2009/0048040	A1	2/2009	Tribulato
6,880,828	B2 *	4/2005	Liao	273/395	2009/0111588	A1	4/2009	Sudeck et al.
6,889,982	B1	5/2005	Gove		2009/0115136	A1	5/2009	Voden
6,923,448	B2	8/2005	Fairbanks		2009/0295093	A1	12/2009	Kiernan
6,932,345	B1	8/2005	O'Dell		2010/0275641	A1	11/2010	Manner et al.
D544,041	S	6/2007	Murphy et al.		2011/0037226	A1	2/2011	Nickles
D545,911	S	7/2007	Verni		2011/0092319	A1	4/2011	Gurgul et al.
7,237,777	B2	7/2007	Digges, III et al.		2011/0291361	A1	12/2011	Moeller et al.
					2012/0043723	A1	2/2012	Rakes
					2012/0193873	A1	8/2012	Sindaco

* cited by examiner

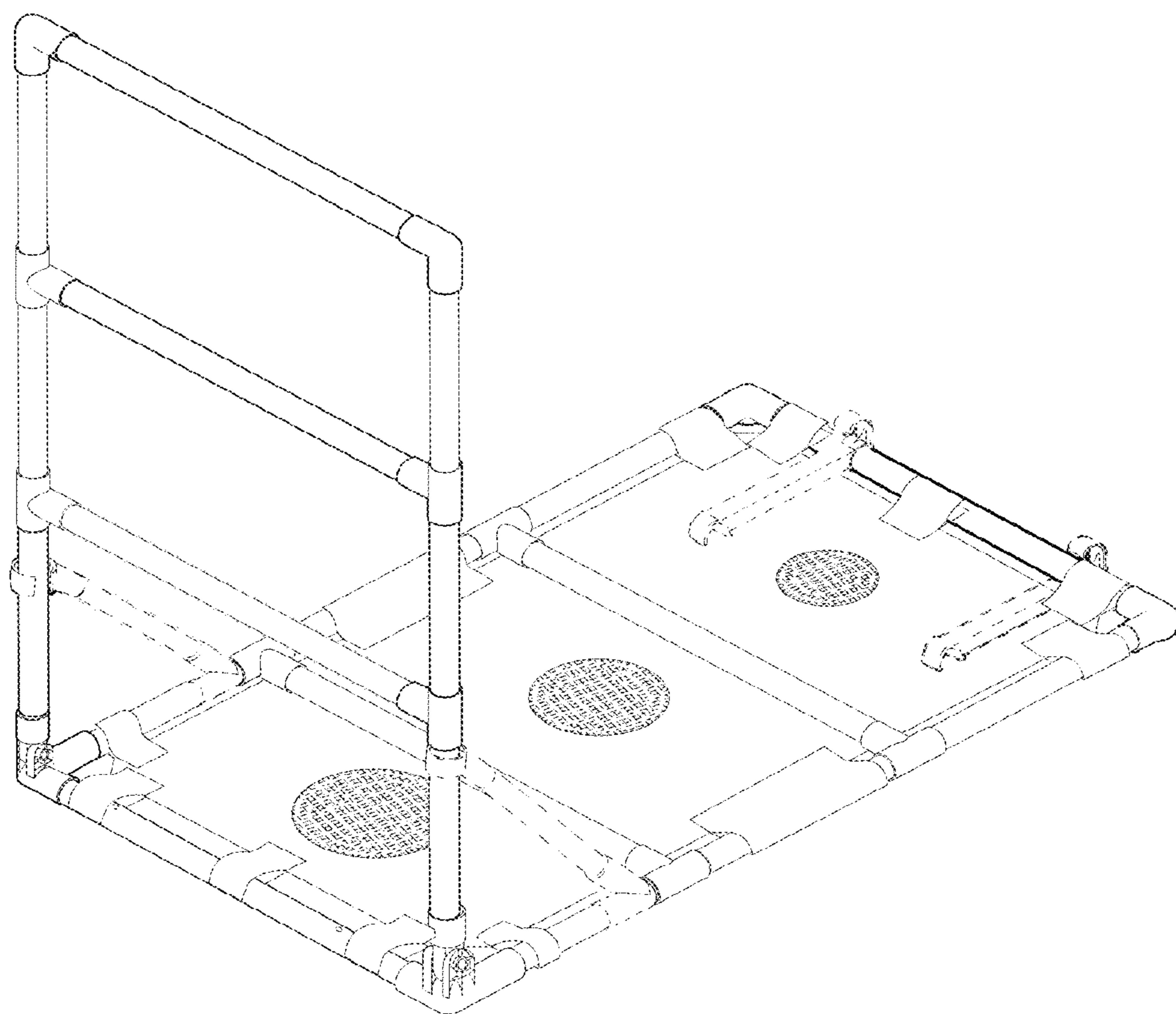


Fig. 1

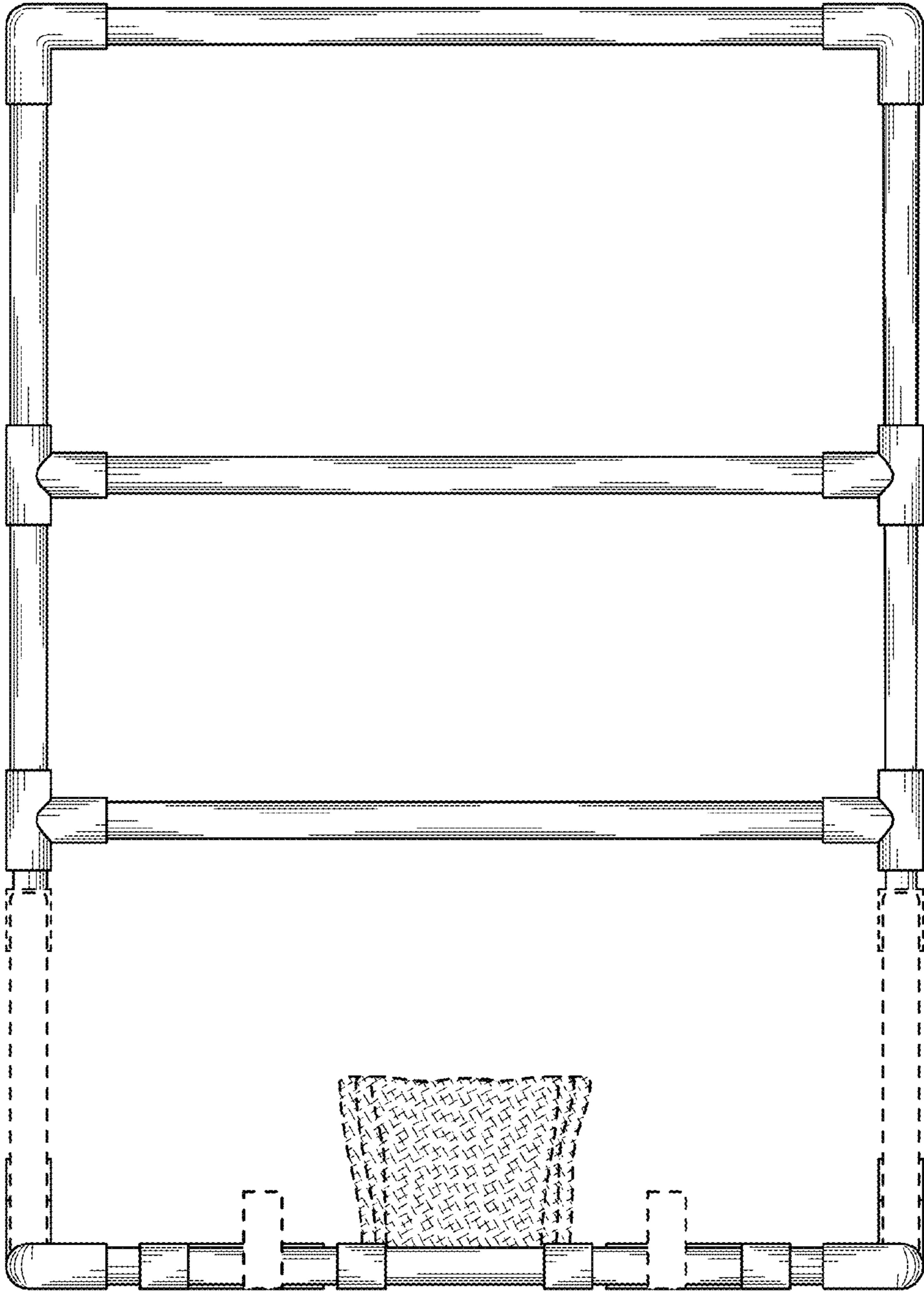


Fig. 2

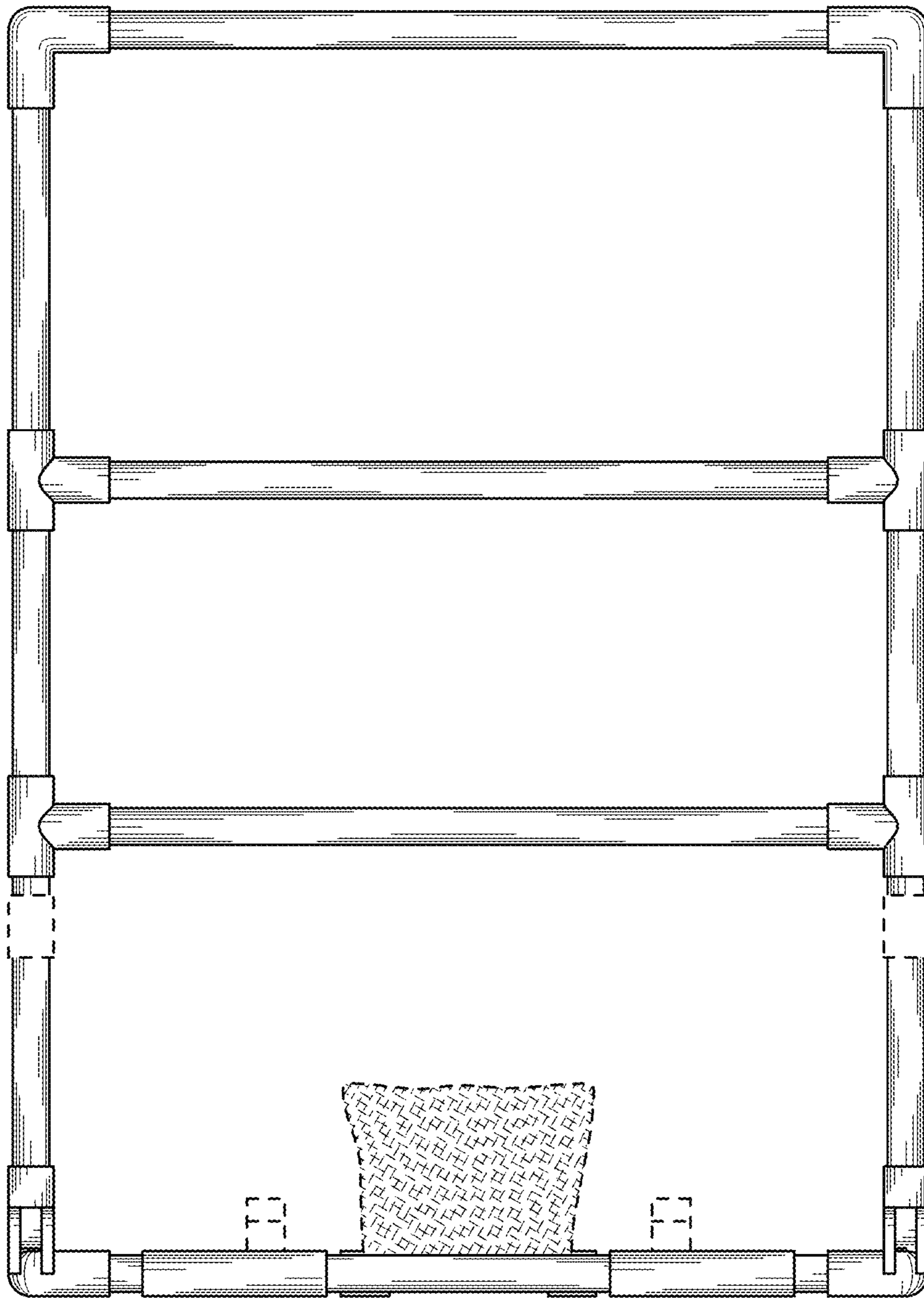


Fig. 3

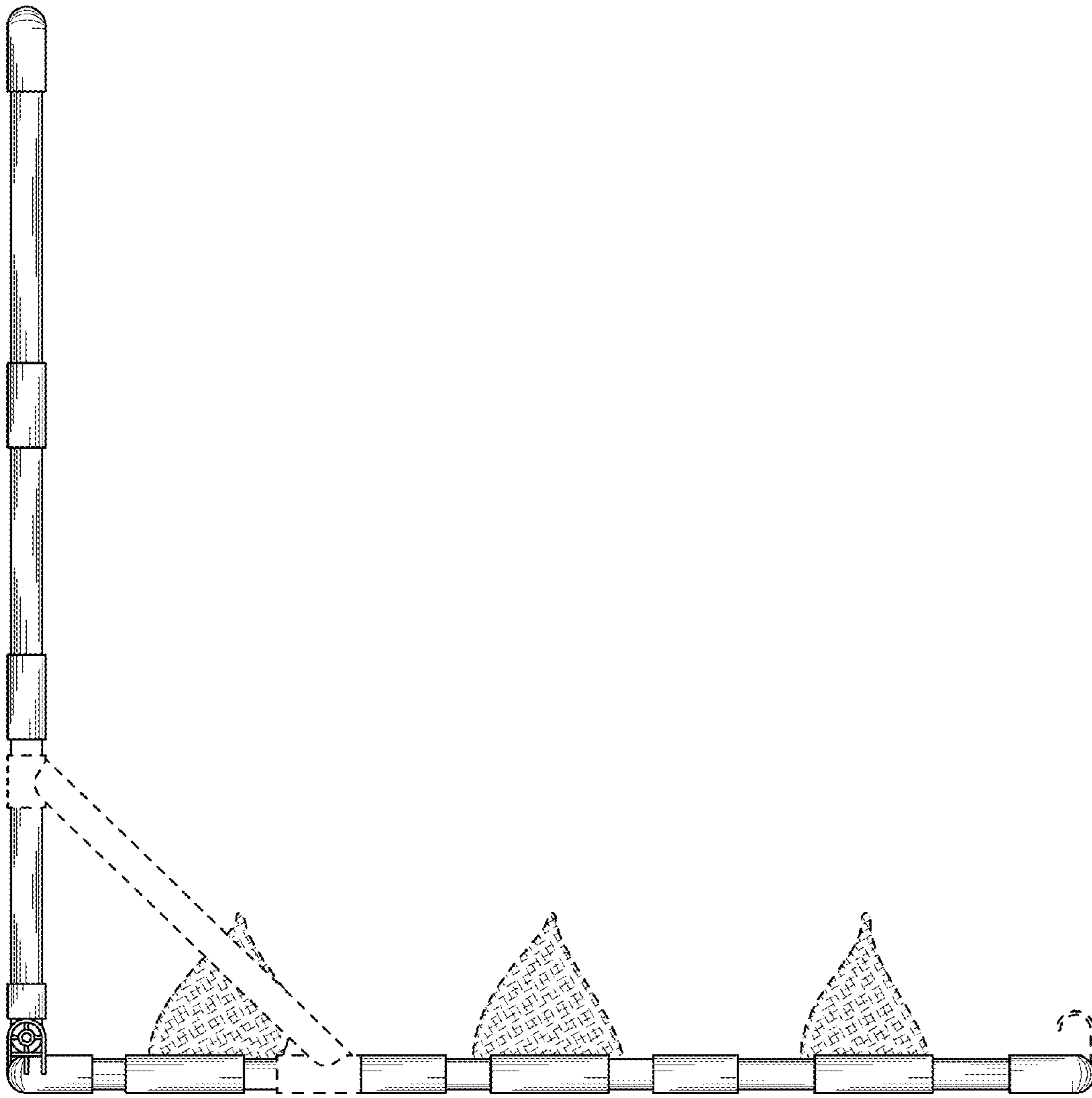


Fig. 4

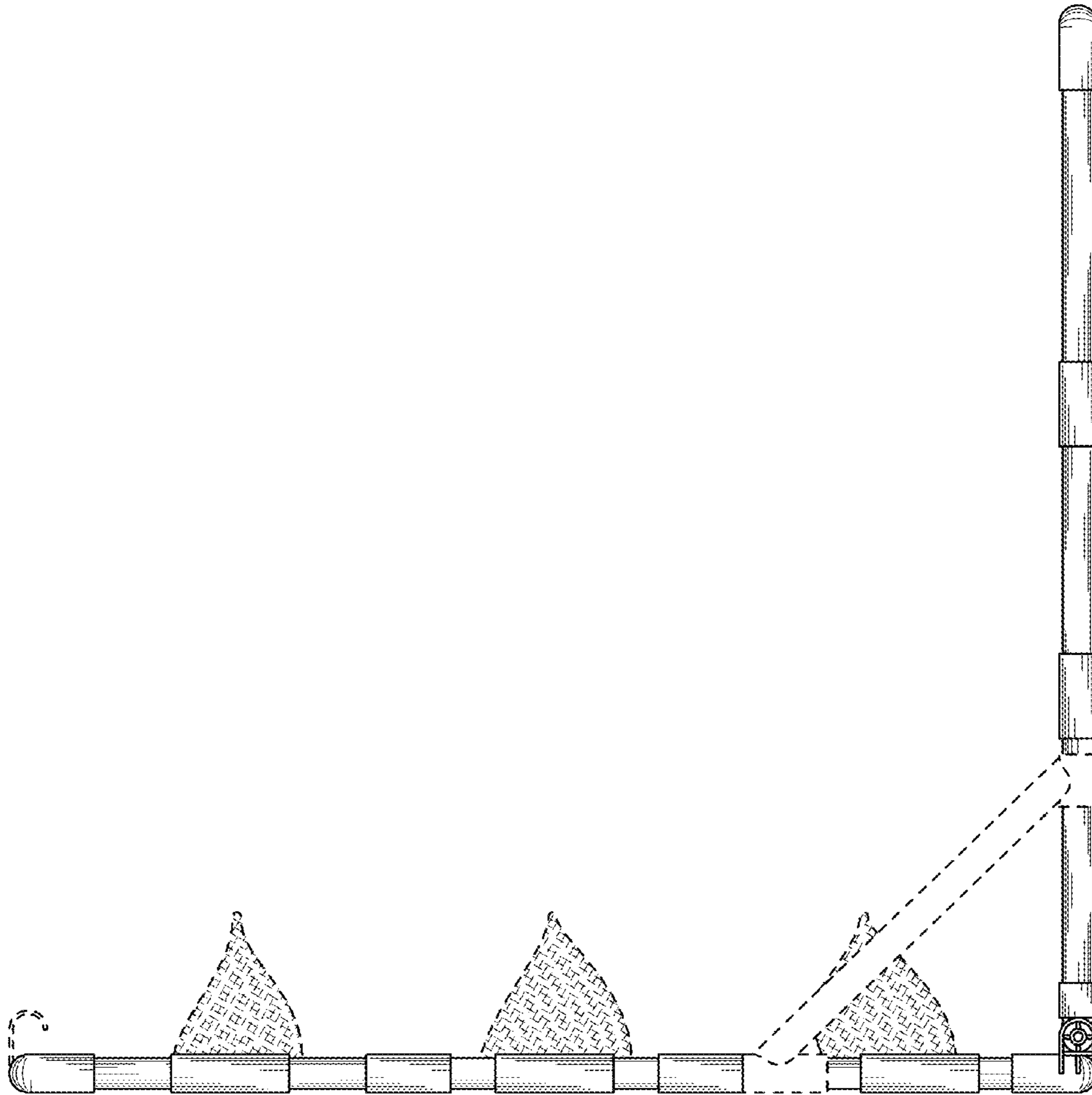


Fig. 5

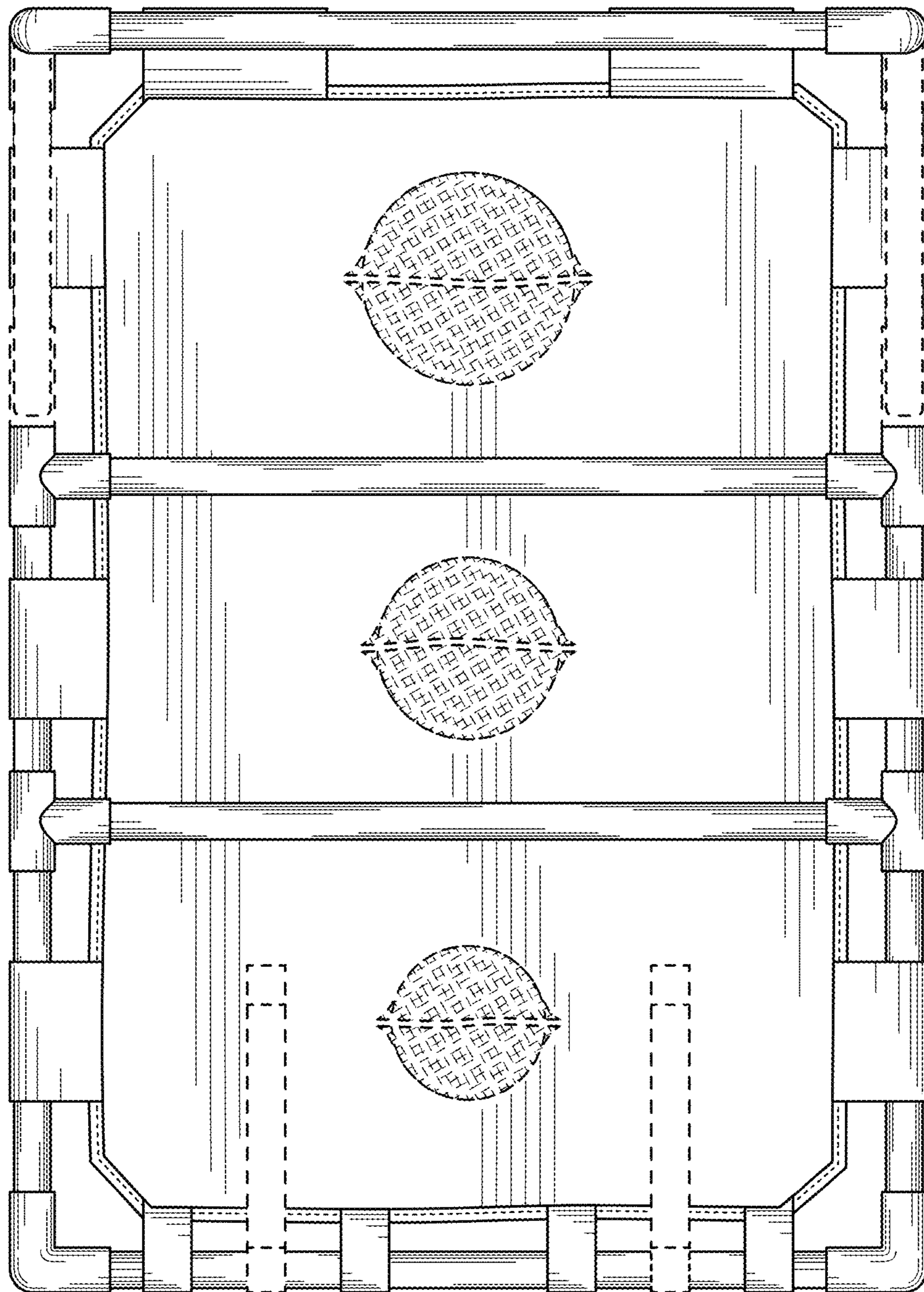


Fig. 6

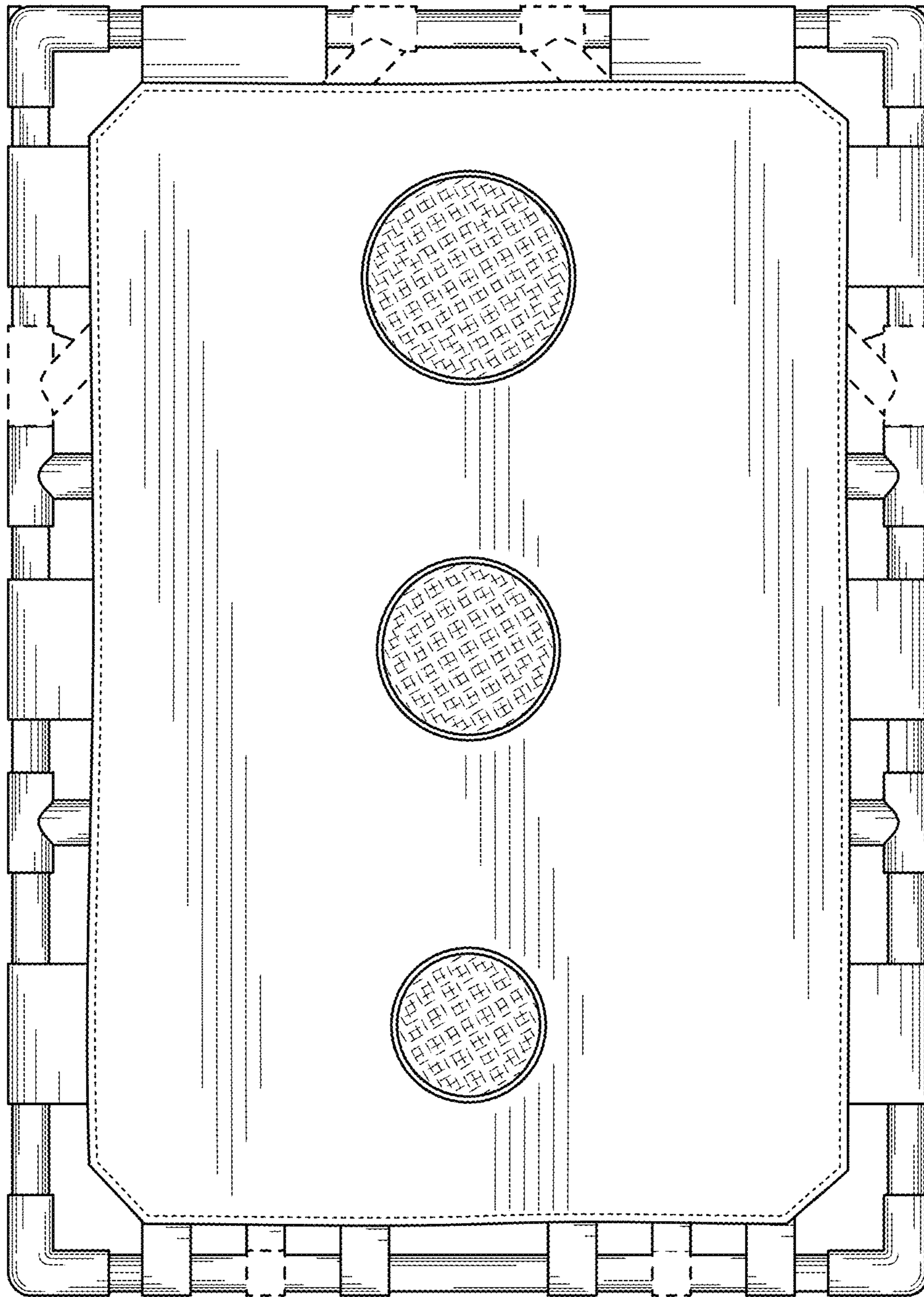


Fig. 7

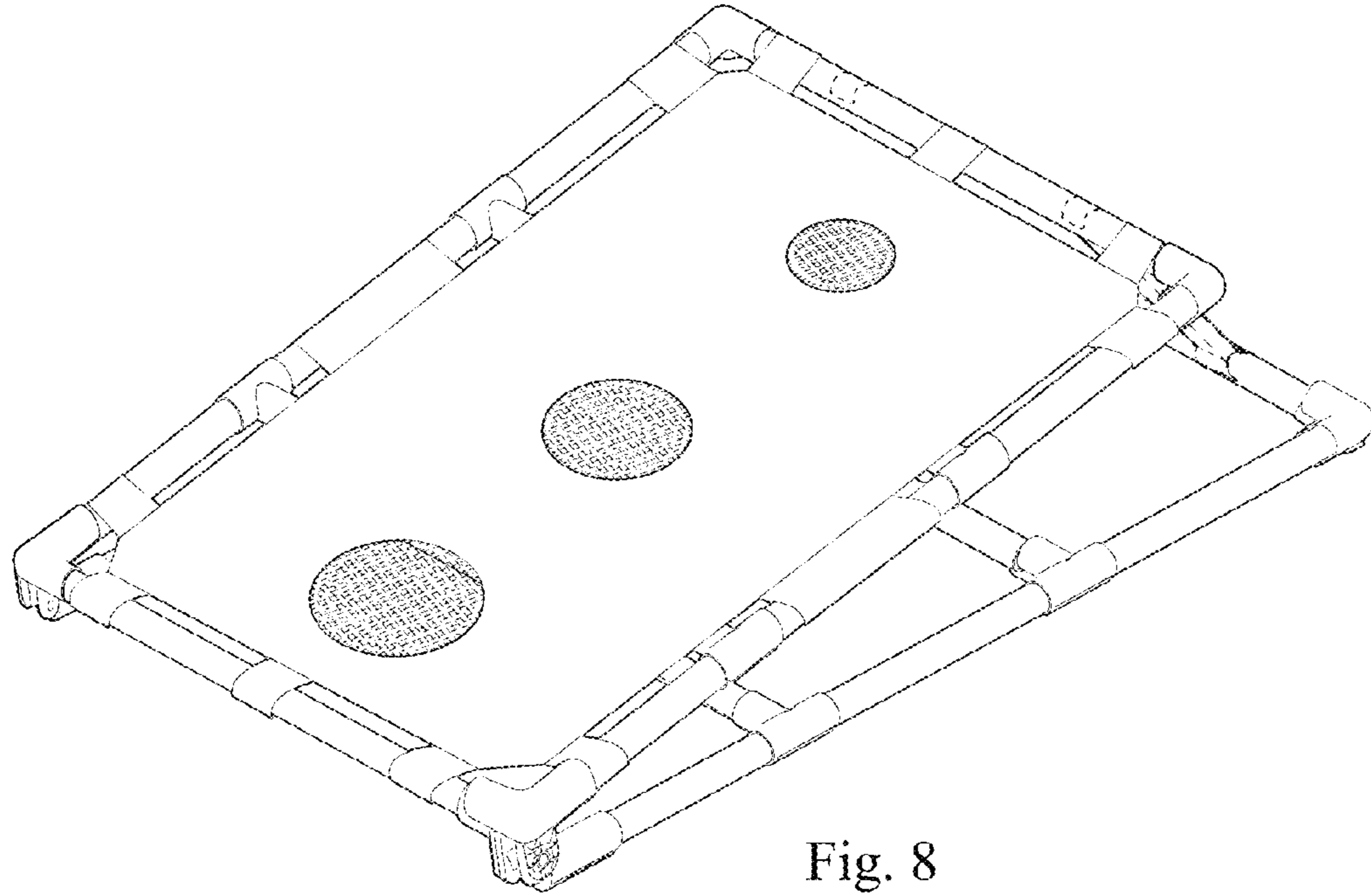


Fig. 8

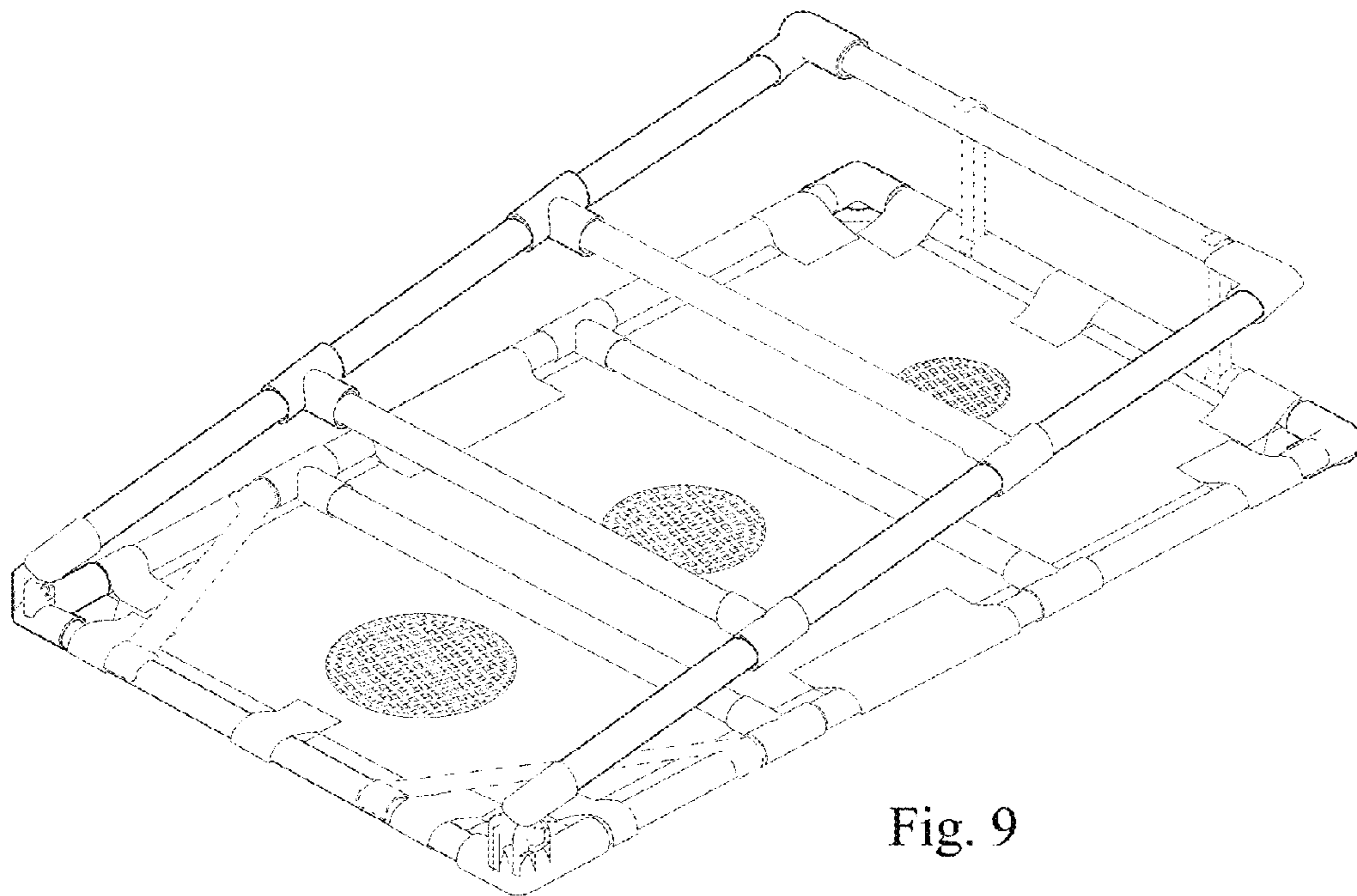


Fig. 9

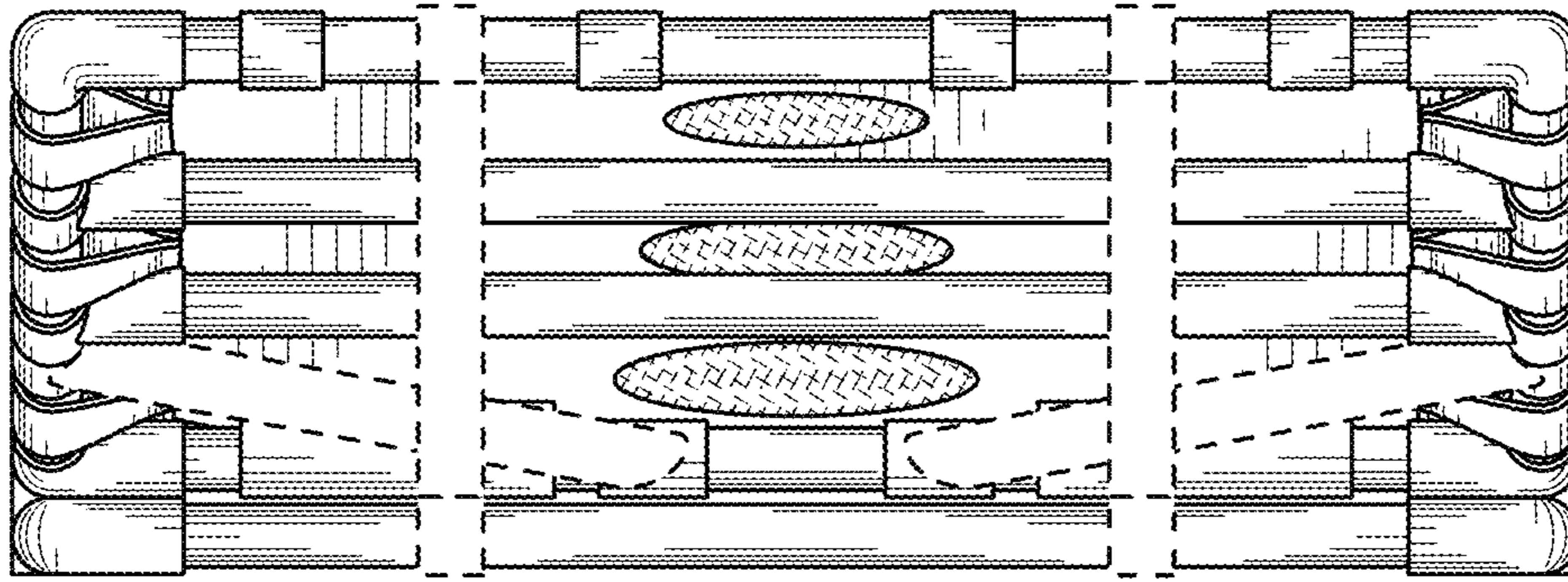


Fig. 10

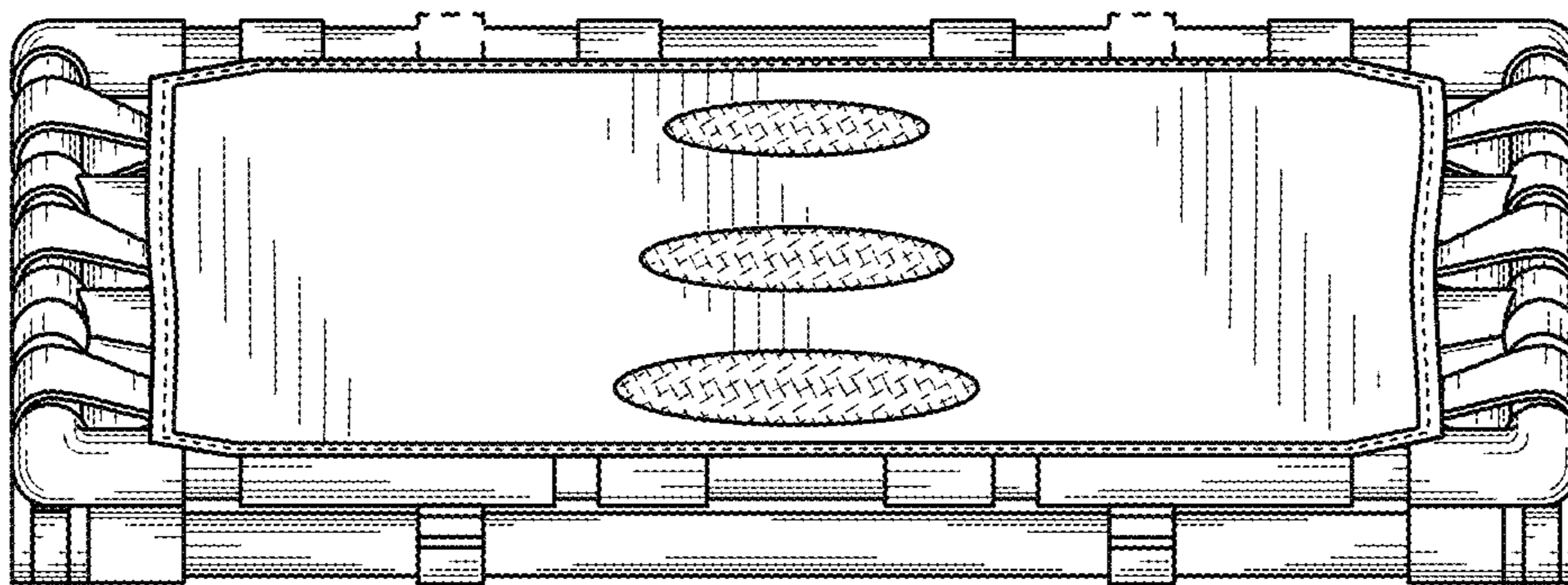


Fig. 11

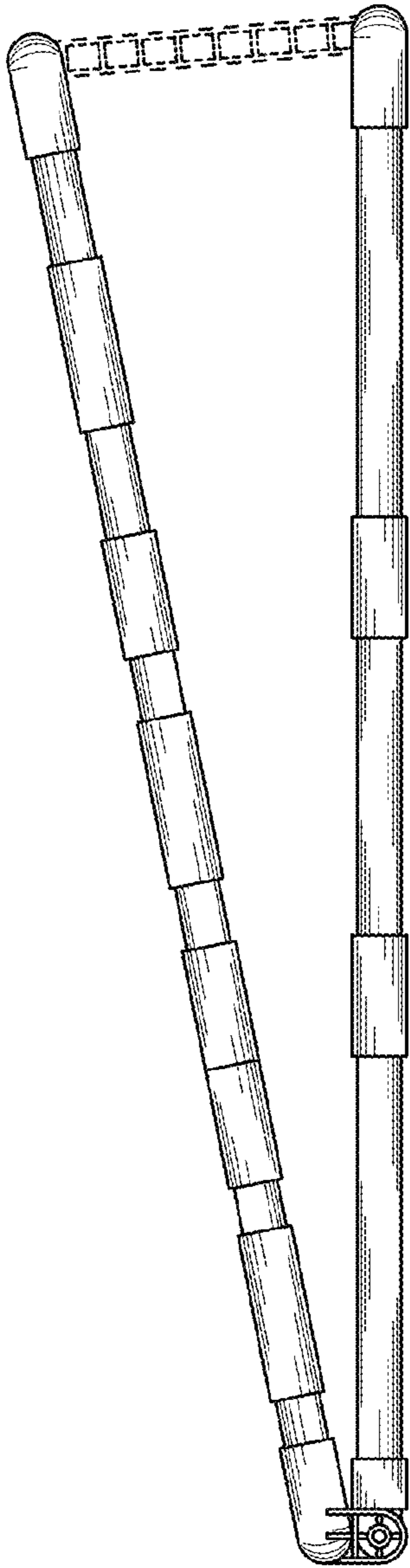


Fig. 12

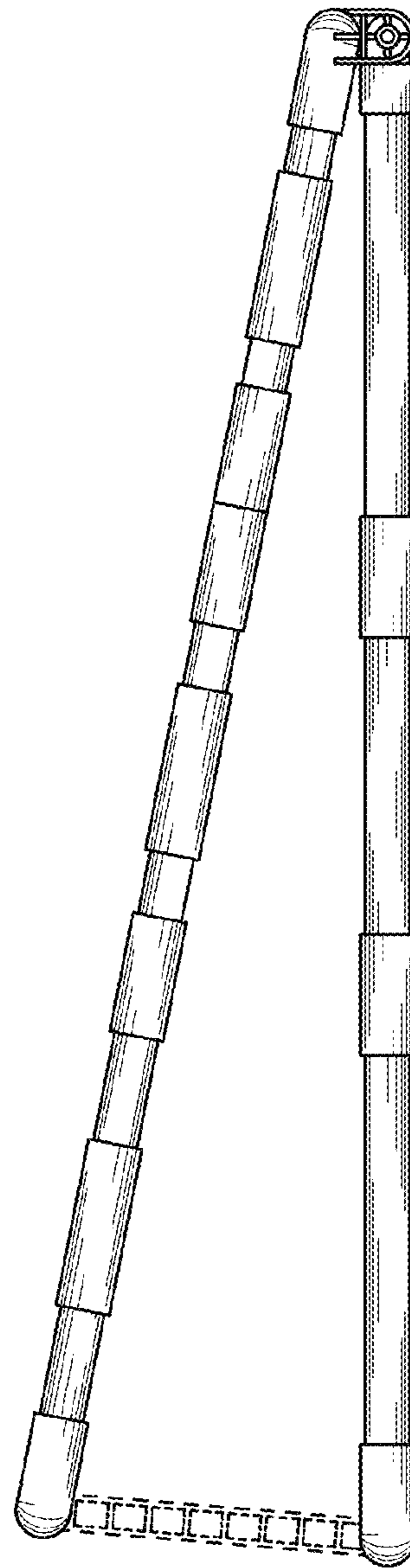


Fig. 13

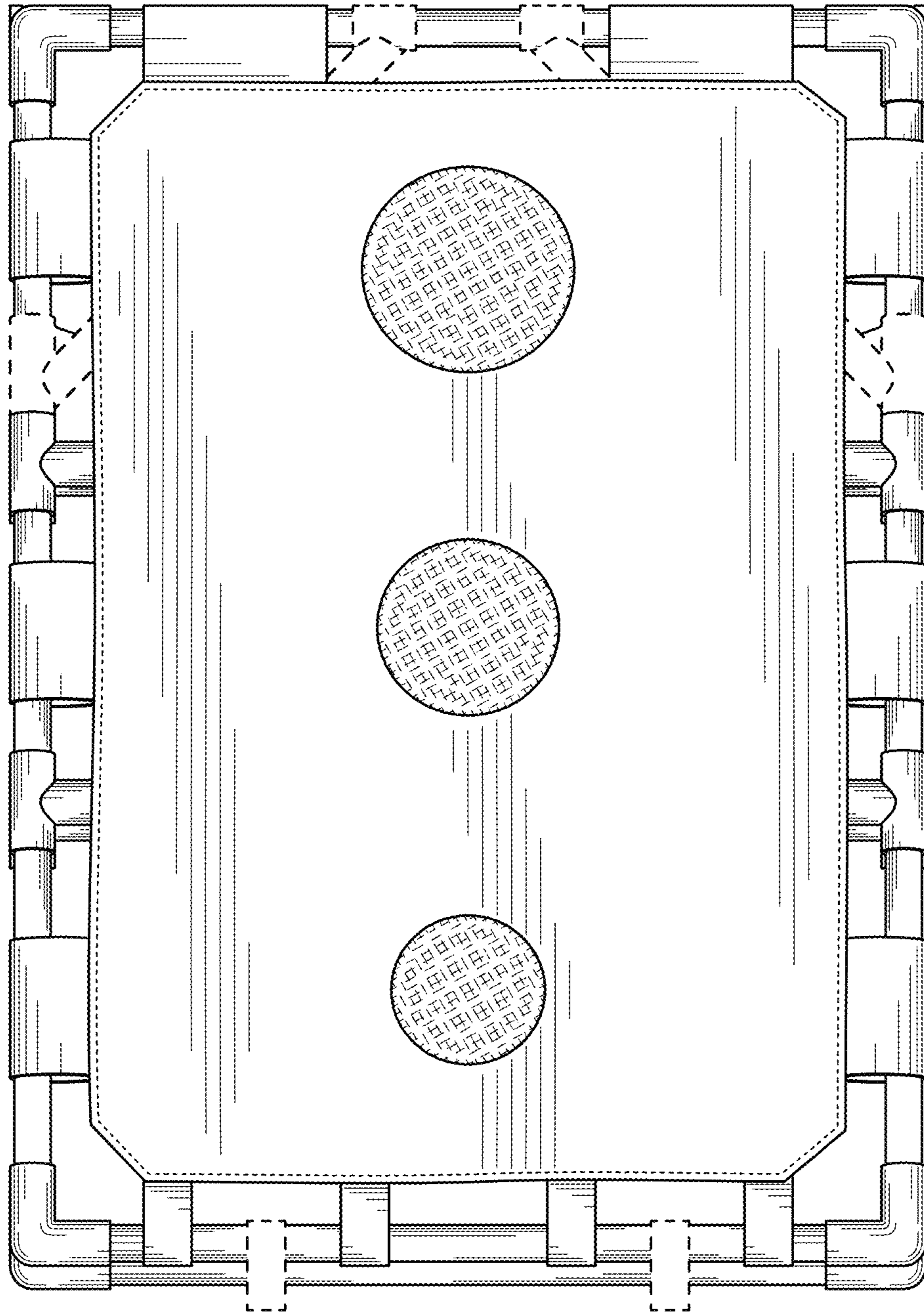


Fig. 14

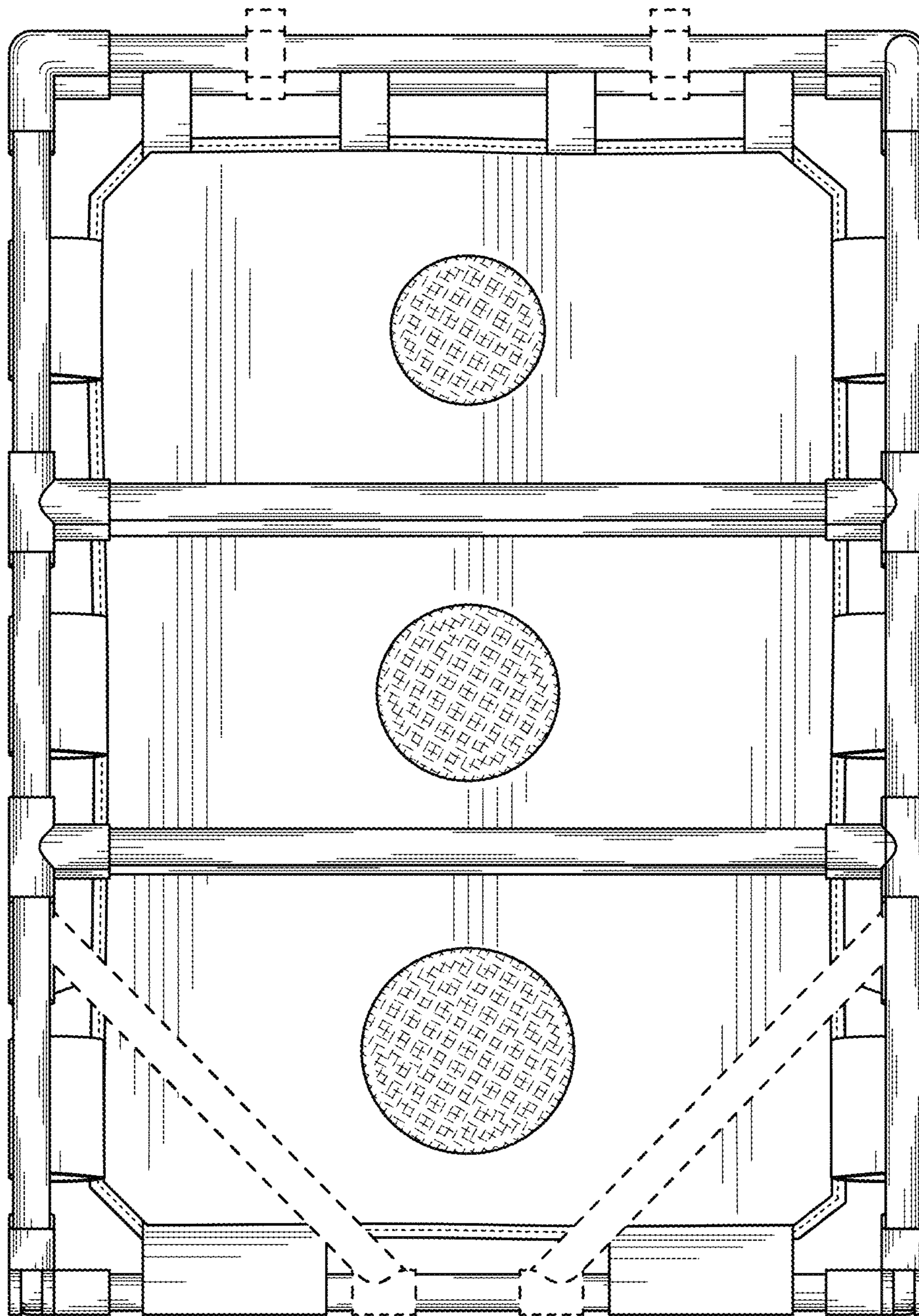


Fig. 15

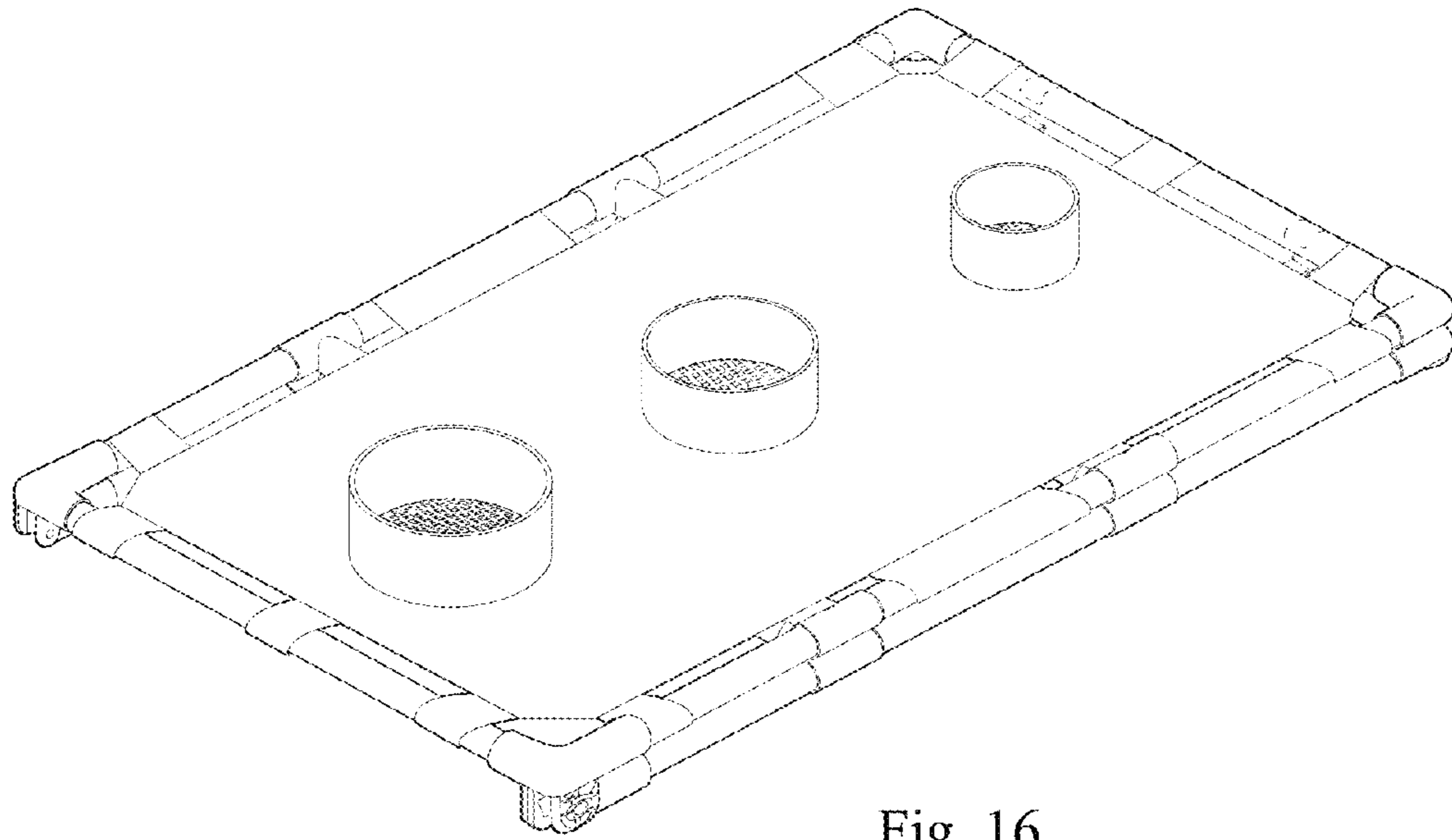


Fig. 16

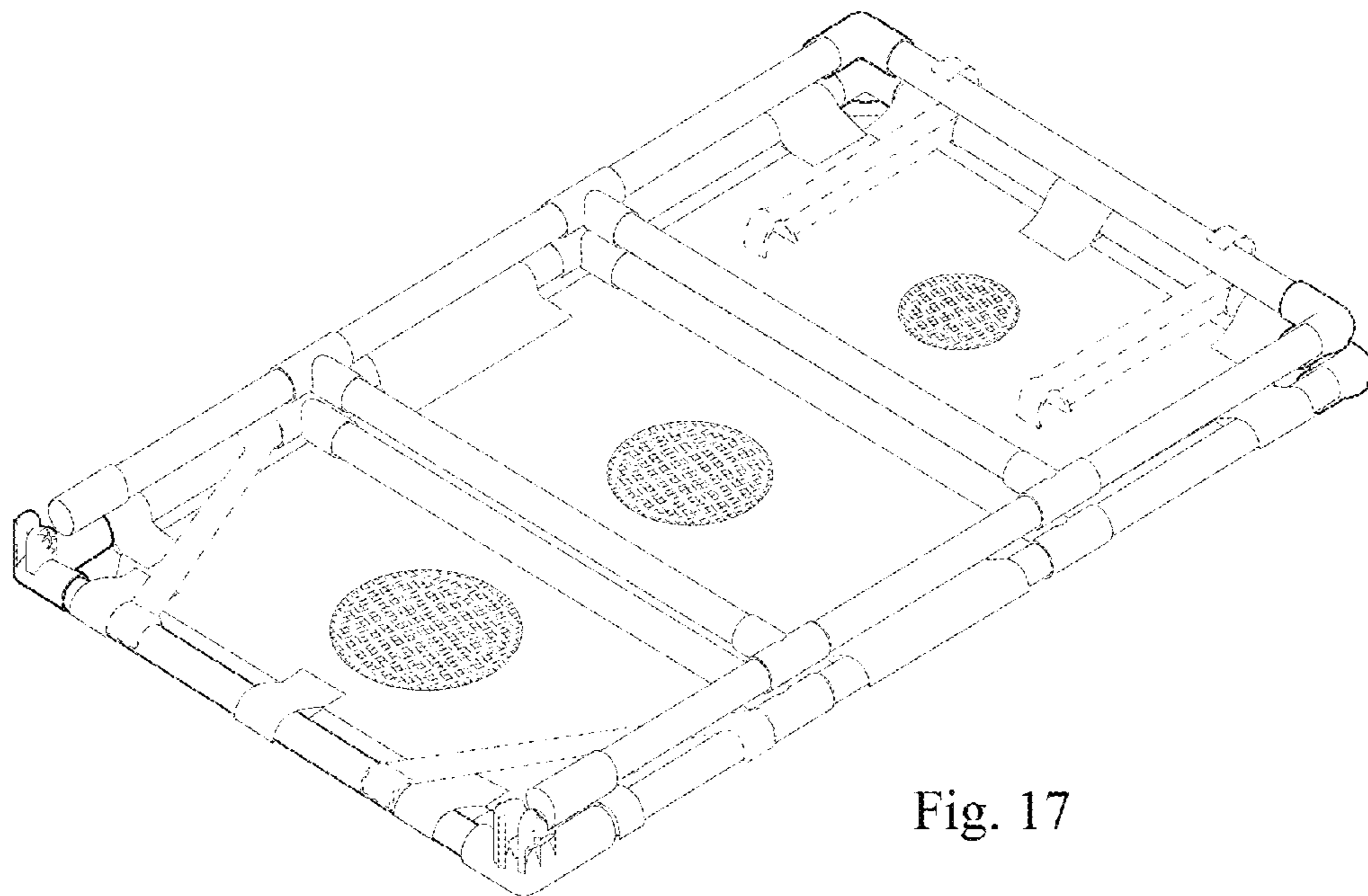


Fig. 17

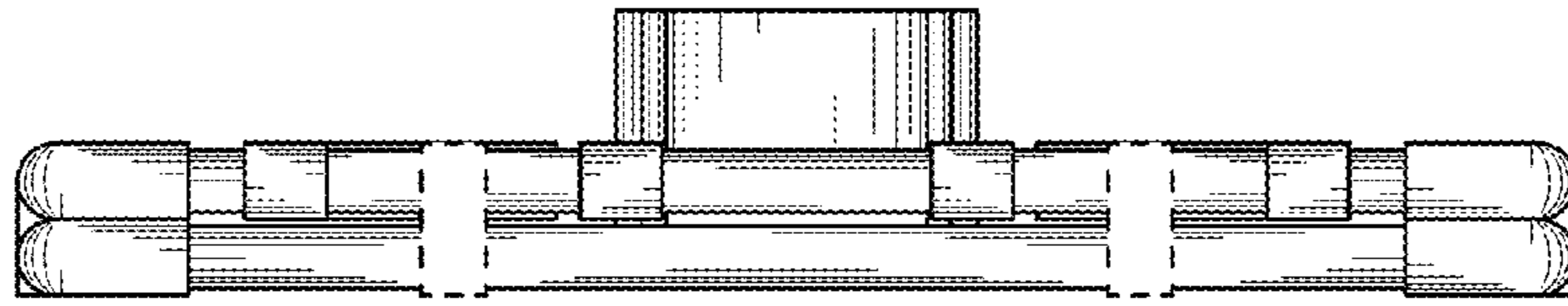


Fig. 18

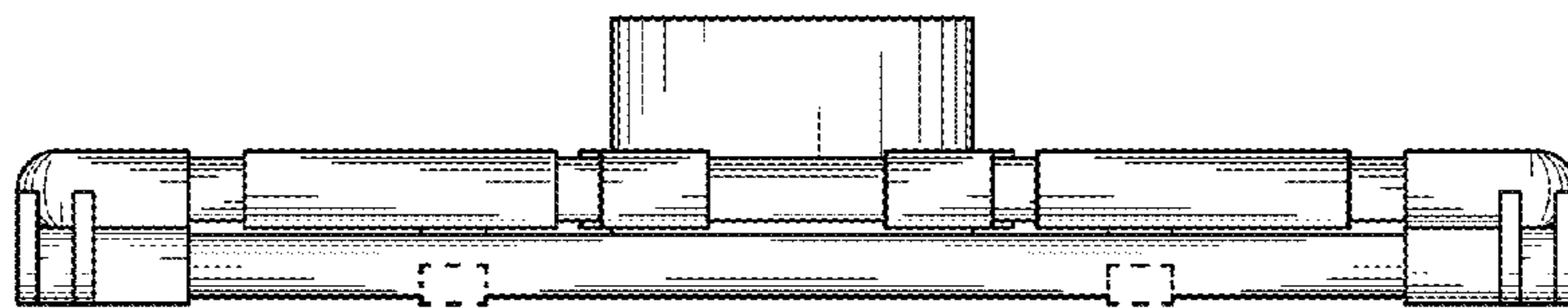


Fig. 19

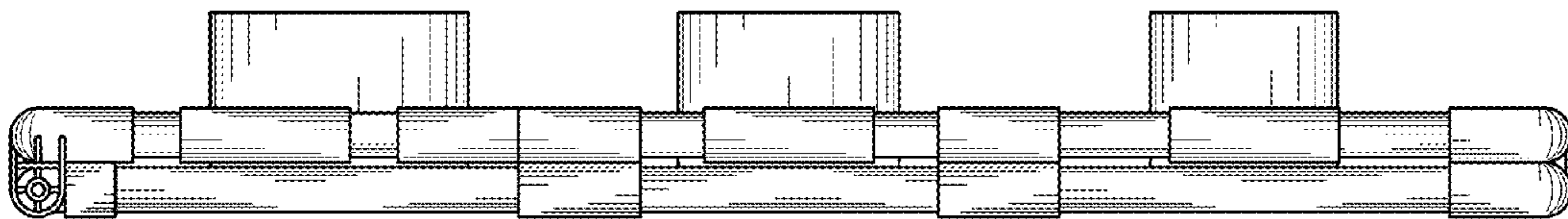


Fig. 20

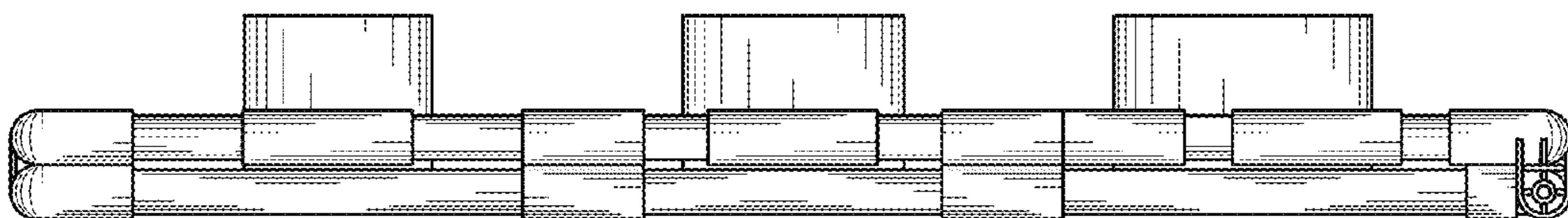


Fig. 21

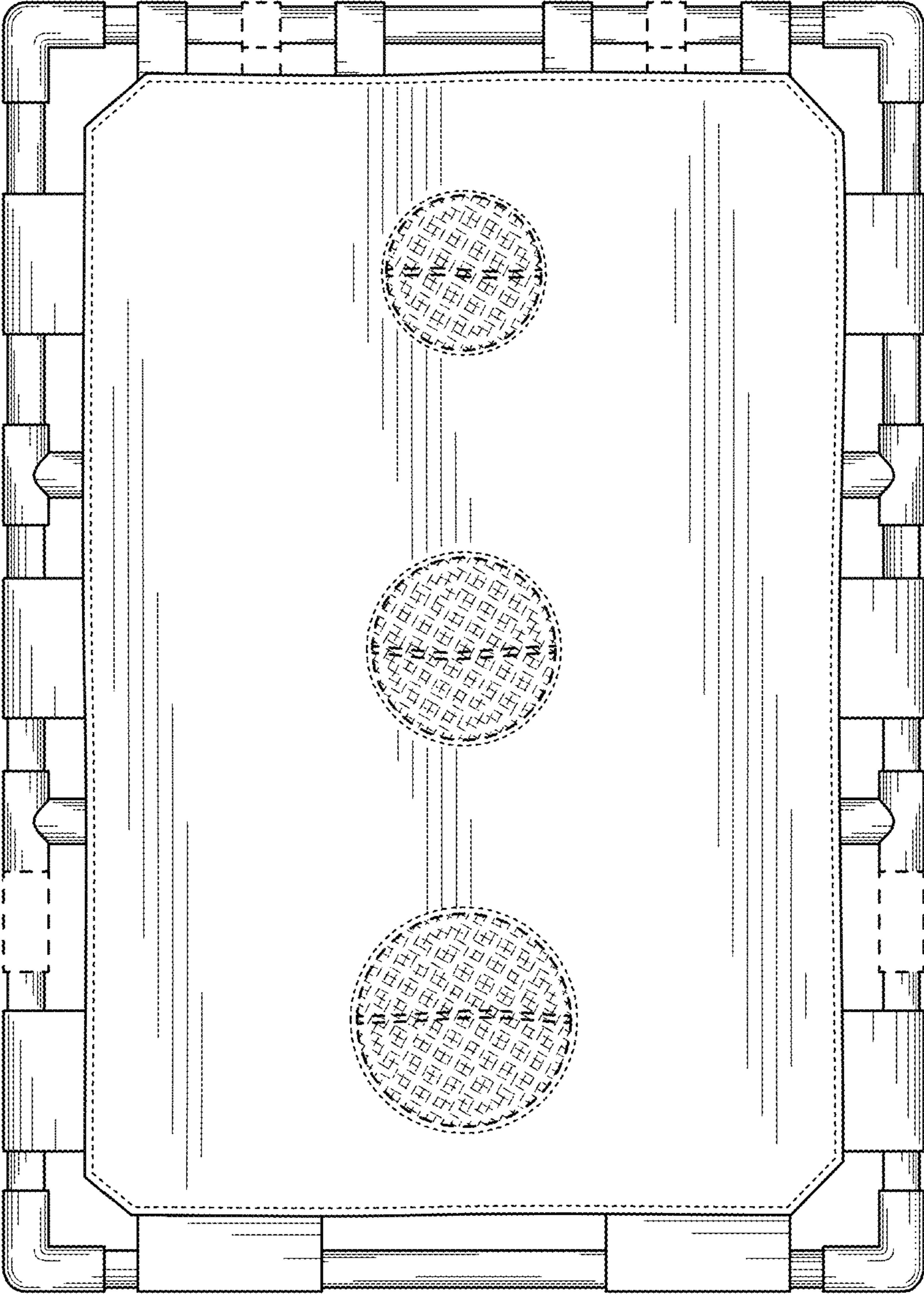


Fig. 22

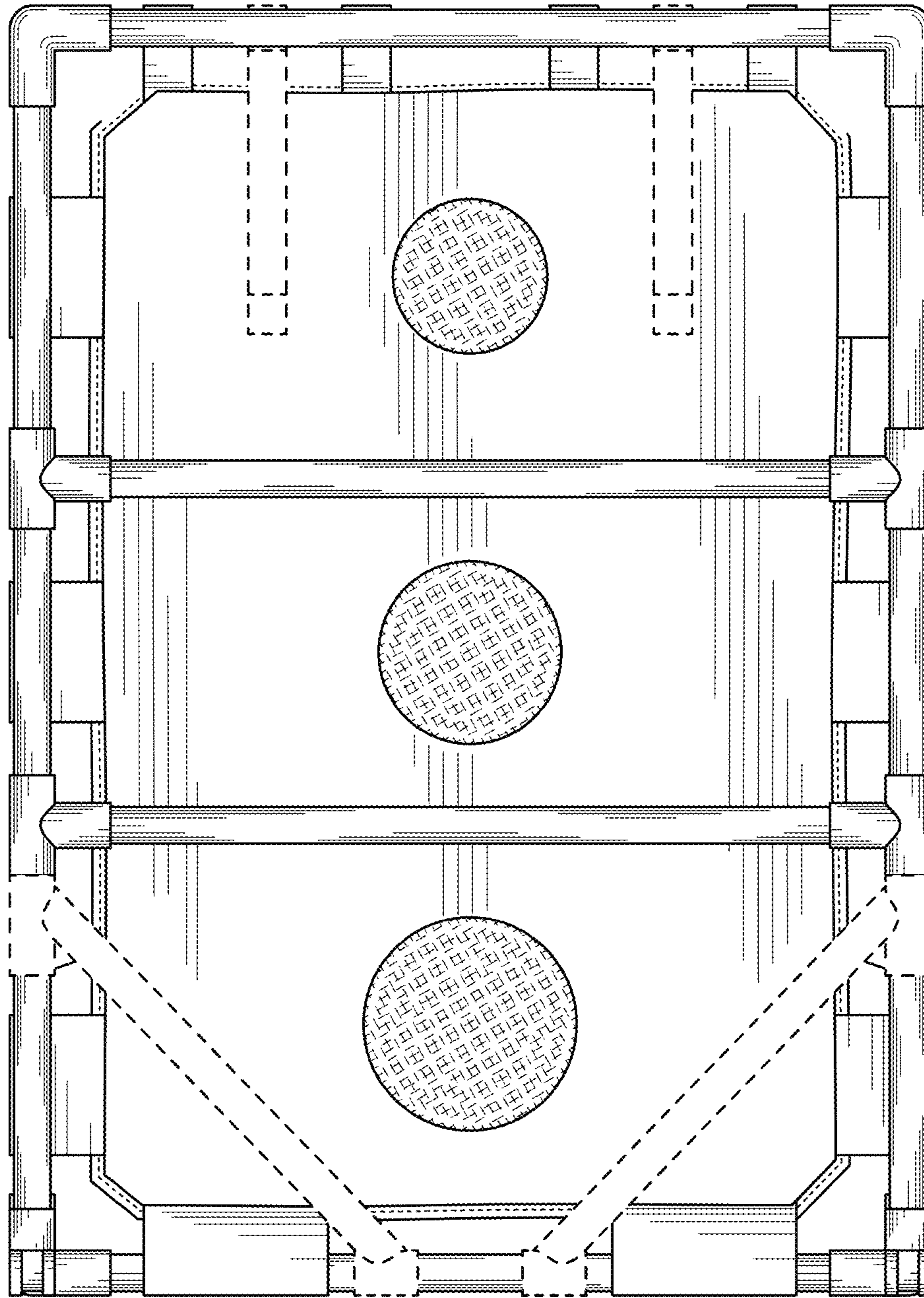


Fig. 23