



US00D748197S

(12) **United States Design Patent**  
**Garfinkle**

(10) **Patent No.:** **US D748,197 S**  
(45) **Date of Patent:** **\*\* Jan. 26, 2016**

(54) **MERCHANDISE TAG DISPLAY CLIP**

(71) Applicant: **Clamp Swing Pricing Company,**  
Oakland, CA (US)

(72) Inventor: **Benjamin Garfinkle,** Piedmont, CA  
(US)

(\*\*) Term: **14 Years**

(21) Appl. No.: **29/510,968**

(22) Filed: **Dec. 4, 2014**

(51) **LOC (10) Cl.** ..... **20-03**

(52) **U.S. Cl.**  
USPC ..... **D20/43**

(58) **Field of Classification Search**  
USPC ..... D20/10, 17, 19, 43, 44; D8/382, 389,  
D8/394, 395  
CPC ..... G09F 1/10; G09F 1/103; G09F 1/12;  
G09F 1/14; G09F 2001/106; G09F 3/08;  
G09F 3/12; G09F 3/16; G09F 3/18; G09F  
3/20; G09F 3/201; G09F 3/202; G09F 3/204  
See application file for complete search history.

(56) **References Cited**

**U.S. PATENT DOCUMENTS**

1,417,325 A \* 5/1922 Hopp ..... G09F 3/20  
24/457  
1,829,360 A \* 10/1931 Lambert ..... G09F 1/14  
248/473

D240,501 S \* 7/1976 Carroll ..... D8/395  
D241,312 S \* 9/1976 McLintock ..... 40/658  
D281,144 S \* 10/1985 Astolfi ..... D6/300  
5,799,428 A \* 9/1998 Poindexter ..... G09F 1/103  
248/215  
6,651,369 B1 \* 11/2003 Keating ..... G09F 3/204  
40/658  
D532,681 S \* 11/2006 Shire ..... D8/382  
D543,447 S \* 5/2007 Allsopp ..... D8/394  
D663,363 S \* 7/2012 Garfinkle ..... D20/43  
D716,137 S \* 10/2014 Szymanski ..... D8/395  
2002/0029505 A1 \* 3/2002 Faneuf ..... G09F 1/10  
40/658

\* cited by examiner

*Primary Examiner* — Mary Ann Calabrese

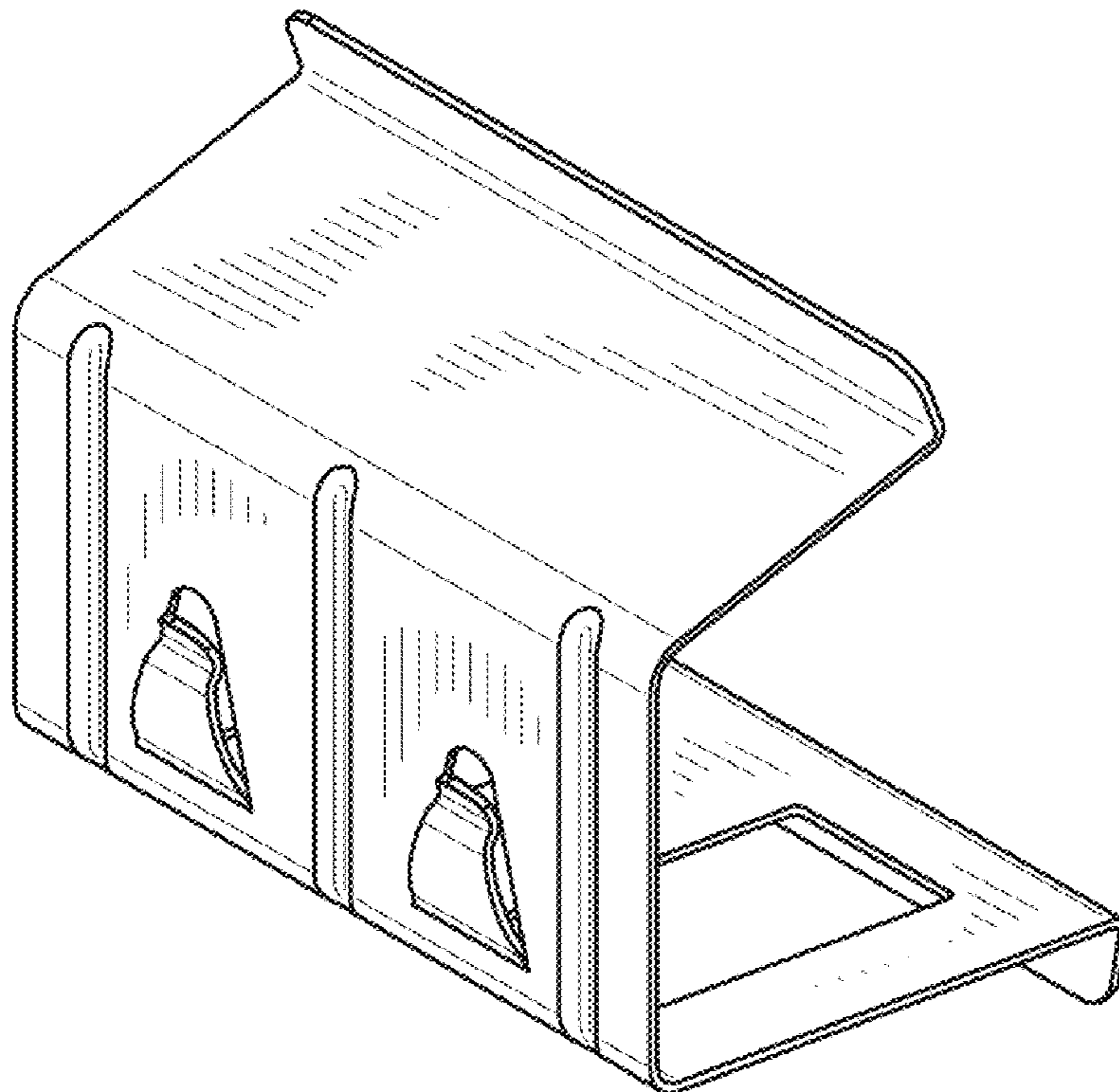
(57) **CLAIM**

The ornamental design for a merchandise tag display clip, as shown and described.

**DESCRIPTION**

FIG. 1 is a perspective view of a merchandise tag display clip showing our new design;  
FIG. 2 is a front side view of FIG. 1;  
FIG. 3 is a back side view of FIG. 1;  
FIG. 4 is a right side view of FIG. 1;  
FIG. 5 is a left side view of FIG. 1;  
FIG. 6 is a top view of FIG. 1; and,  
FIG. 7 is a bottom view of FIG. 1.

**1 Claim, 2 Drawing Sheets**



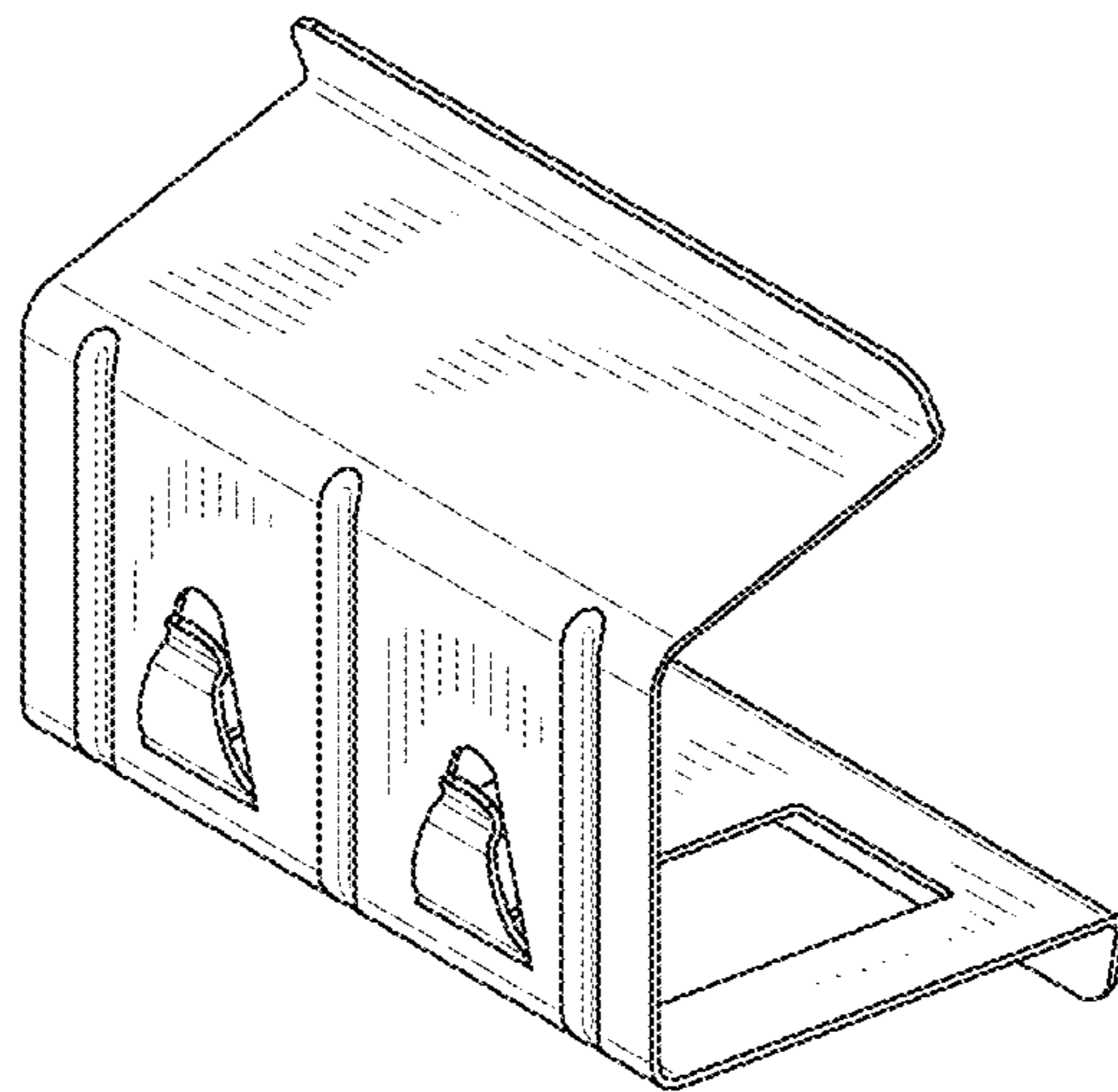


FIG. 1

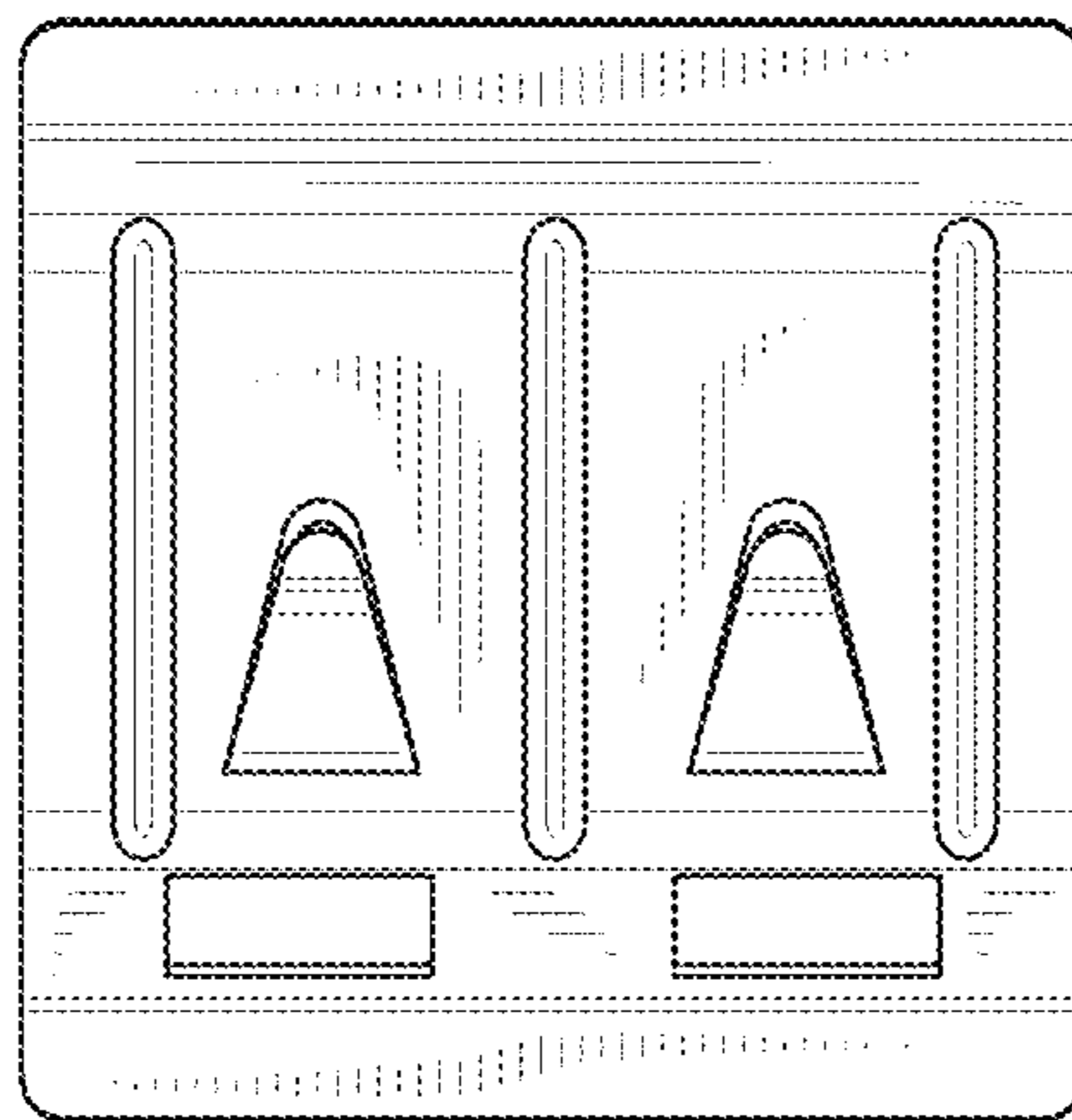


FIG. 2

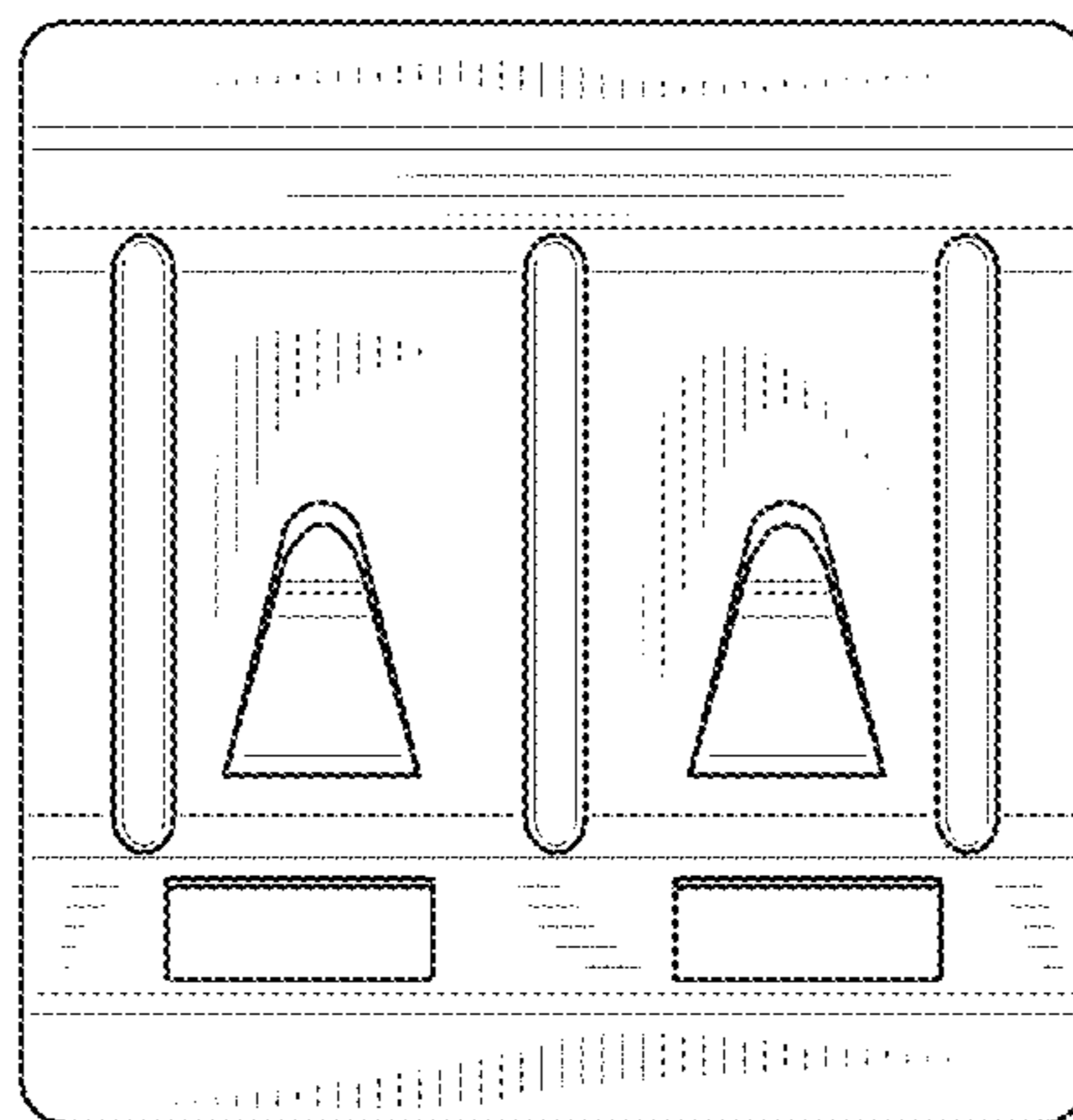


FIG. 3

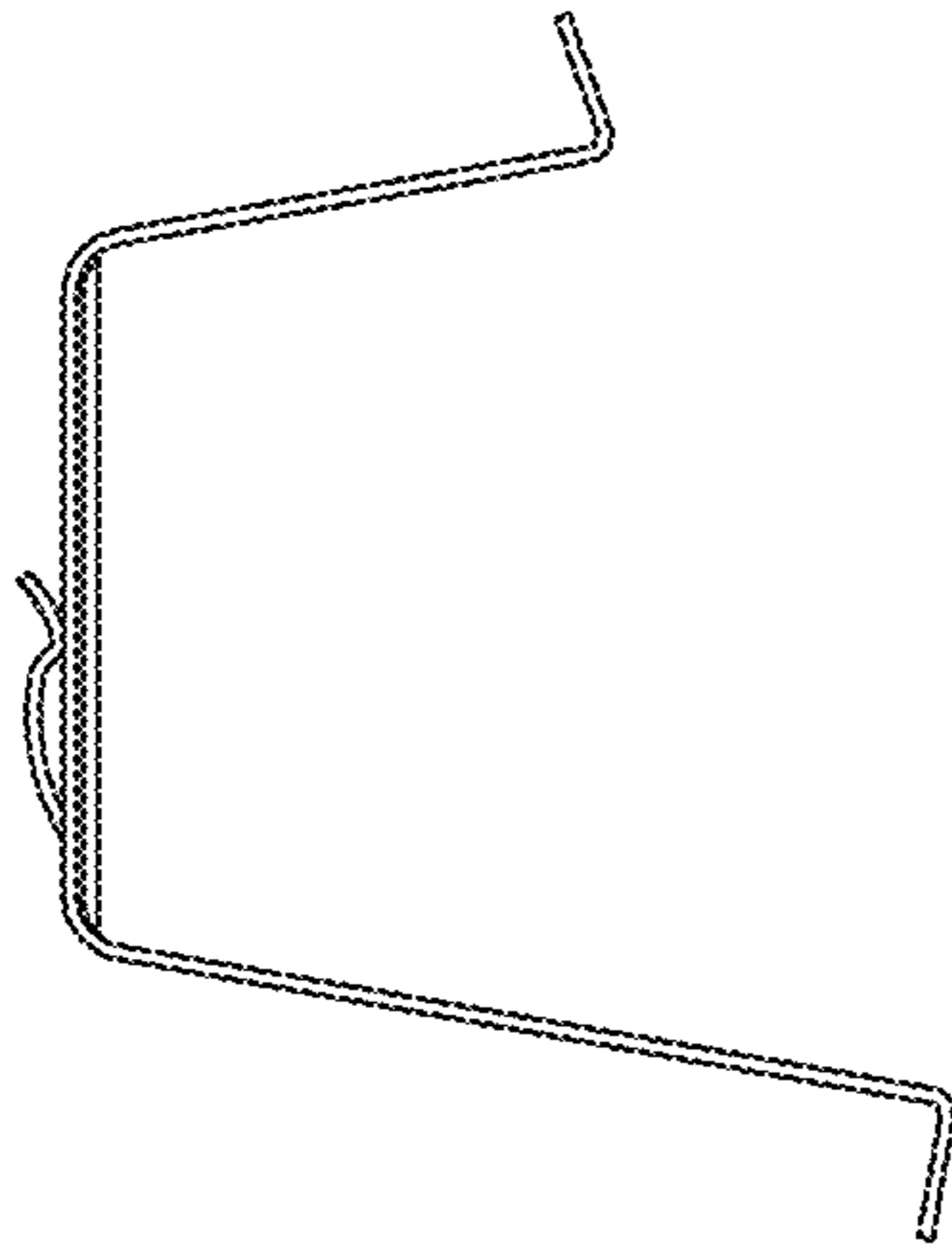


FIG. 4

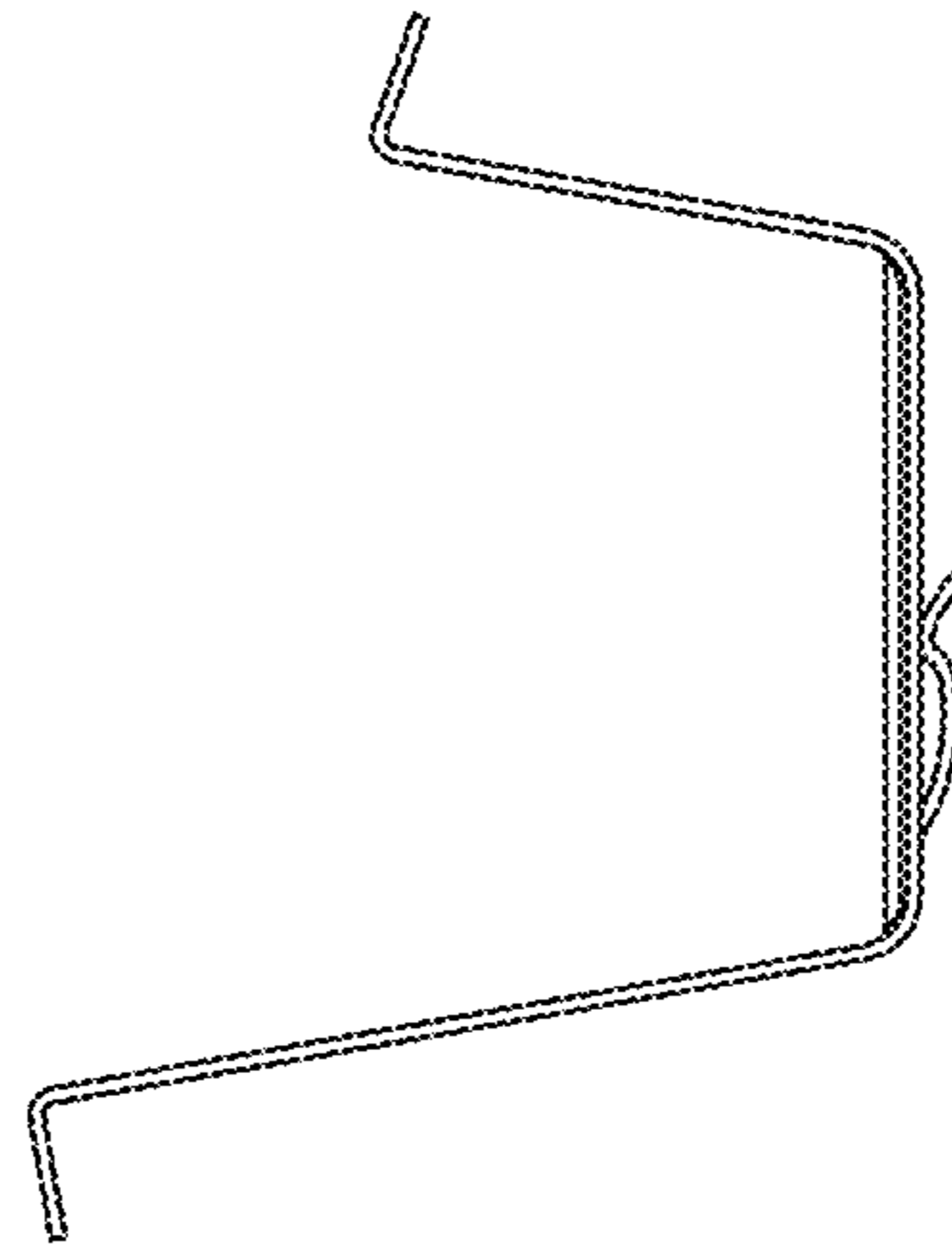


FIG. 5

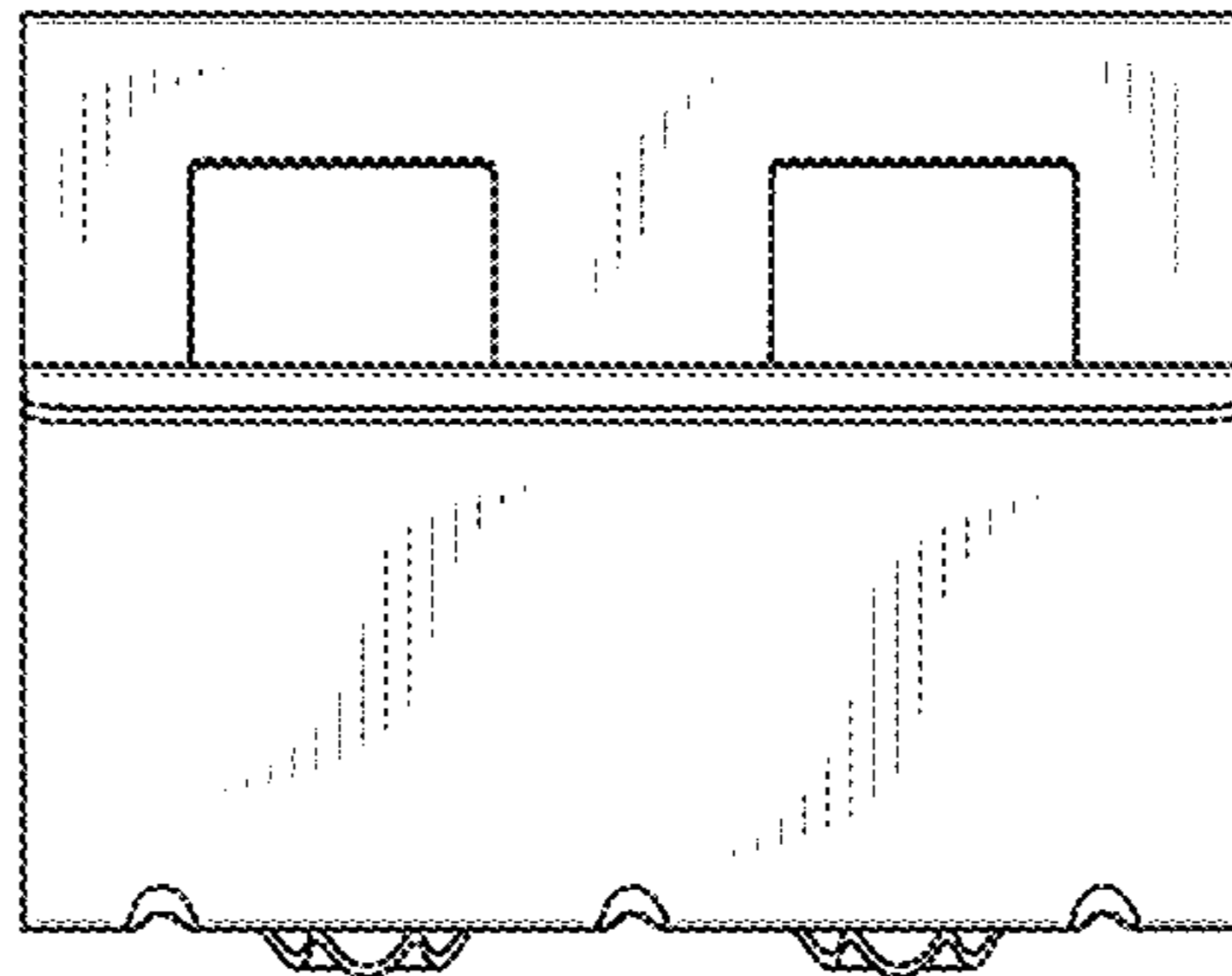


FIG. 6

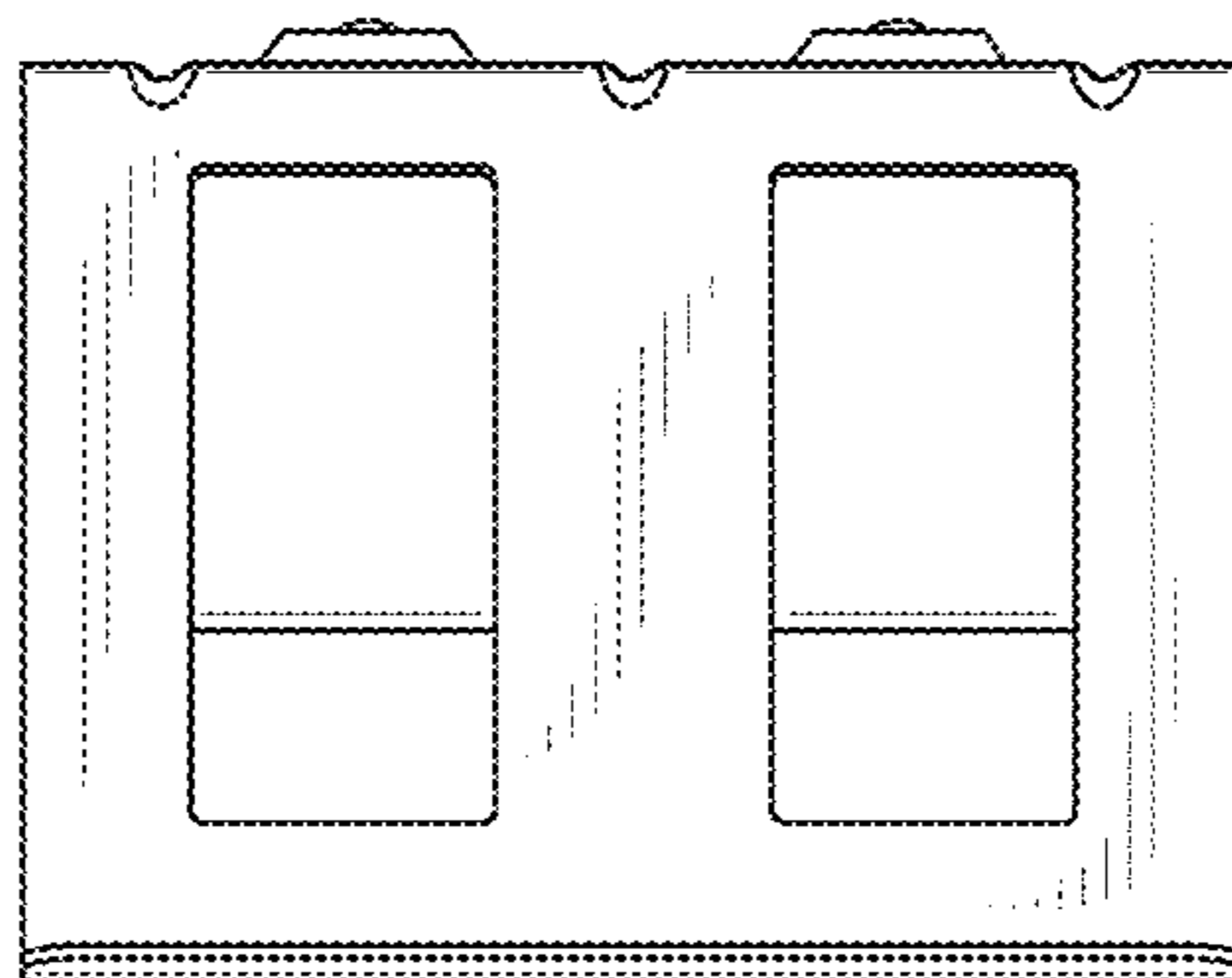


FIG. 7