



US00D748192S

(12) **United States Design Patent**
Weinberg

(10) **Patent No.:** **US D748,192 S**
(45) **Date of Patent:** **** Jan. 26, 2016**

(54) **SHREDDER**

(71) Applicant: **HSM GmbH + Co. KG**, Frickingen (DE)

(72) Inventor: **Andreas Weinberg**, Stuttgart (DE)

(73) Assignee: **HSM GmbH + Co. KG**, Frickingen (DE)

(**) Term: **14 Years**

(21) Appl. No.: **29/479,987**

(22) Filed: **Jan. 22, 2014**

(51) **LOC (10) Cl.** **18-04**

(52) **U.S. Cl.**
USPC **D18/34.5**

(58) **Field of Classification Search**
USPC D18/34.3, 34.4, 34.5, 34.6, 34.9;
D23/356, 359, 360, 364; 241/100, 236,
241/30, 36
CPC B02C 18/00; B02C 18/0007; B02C
2018/164; B02C 2018/168; B02C 2018/0015
See application file for complete search history.

(56) **References Cited**

U.S. PATENT DOCUMENTS

D414,198 S	9/1999	Iwata
D502,961 S	3/2005	Lo
D537,108 S	2/2007	Sezaki
D541,842 S	5/2007	Sezaki
D547,366 S	7/2007	Kent et al.
D598,048 S	8/2009	Holderfield et al.
D602,073 S	10/2009	Holderfield et al.
D602,074 S	10/2009	Holderfield et al.
D604,763 S	11/2009	Holderfield et al.
D611,008 S	3/2010	Hsieh
D616,925 S	6/2010	Kim et al.
D618,275 S	6/2010	Wing et al.

(Continued)

FOREIGN PATENT DOCUMENTS

EM 000698717-0001 * 4/2007
EM 002389866-0001 * 3/2014

(Continued)

OTHER PUBLICATIONS

Wired UK. <URL: <http://www.wired.co.uk/magazine/archive/2013/02/test/private-papers>>. Mar. 3, 2013. Bonsaii 4S16 Shredder.*

Primary Examiner — Bridget L Eland

Assistant Examiner — Lauren McVey

(74) *Attorney, Agent, or Firm* — Kolisch Hartwell, P.C.

(57) **CLAIM**

Applicant claims the ornamental design for a shredder, as shown and described.

DESCRIPTION

FIG. 1 is a front perspective view of a shredder in accordance with the present design.

FIG. 2 is a front view of the shredder of FIG. 1.

FIG. 3 is a back view of the shredder of FIG. 1.

FIG. 4 is a left side view of the shredder of FIG. 1, the right side view being a mirror image thereof.

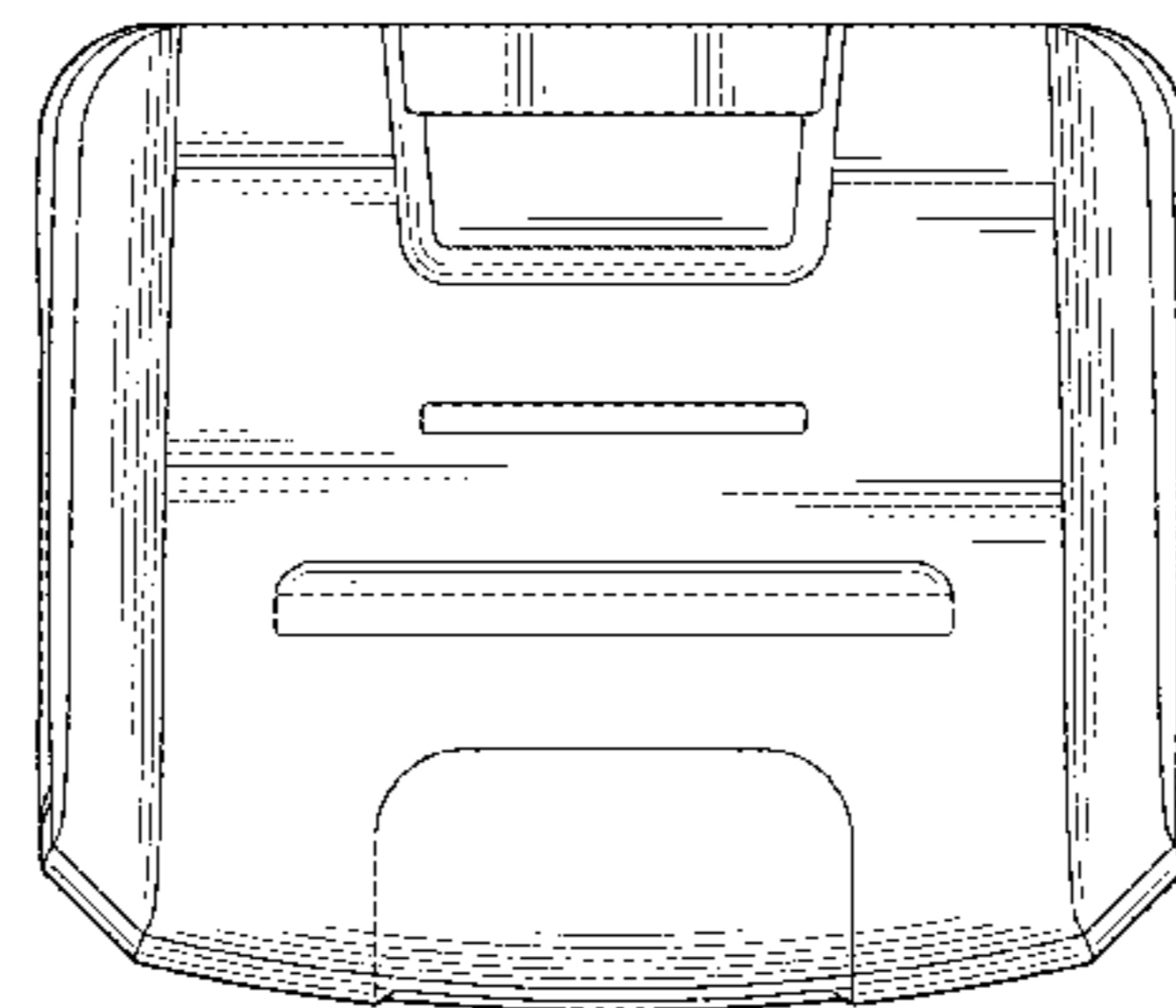
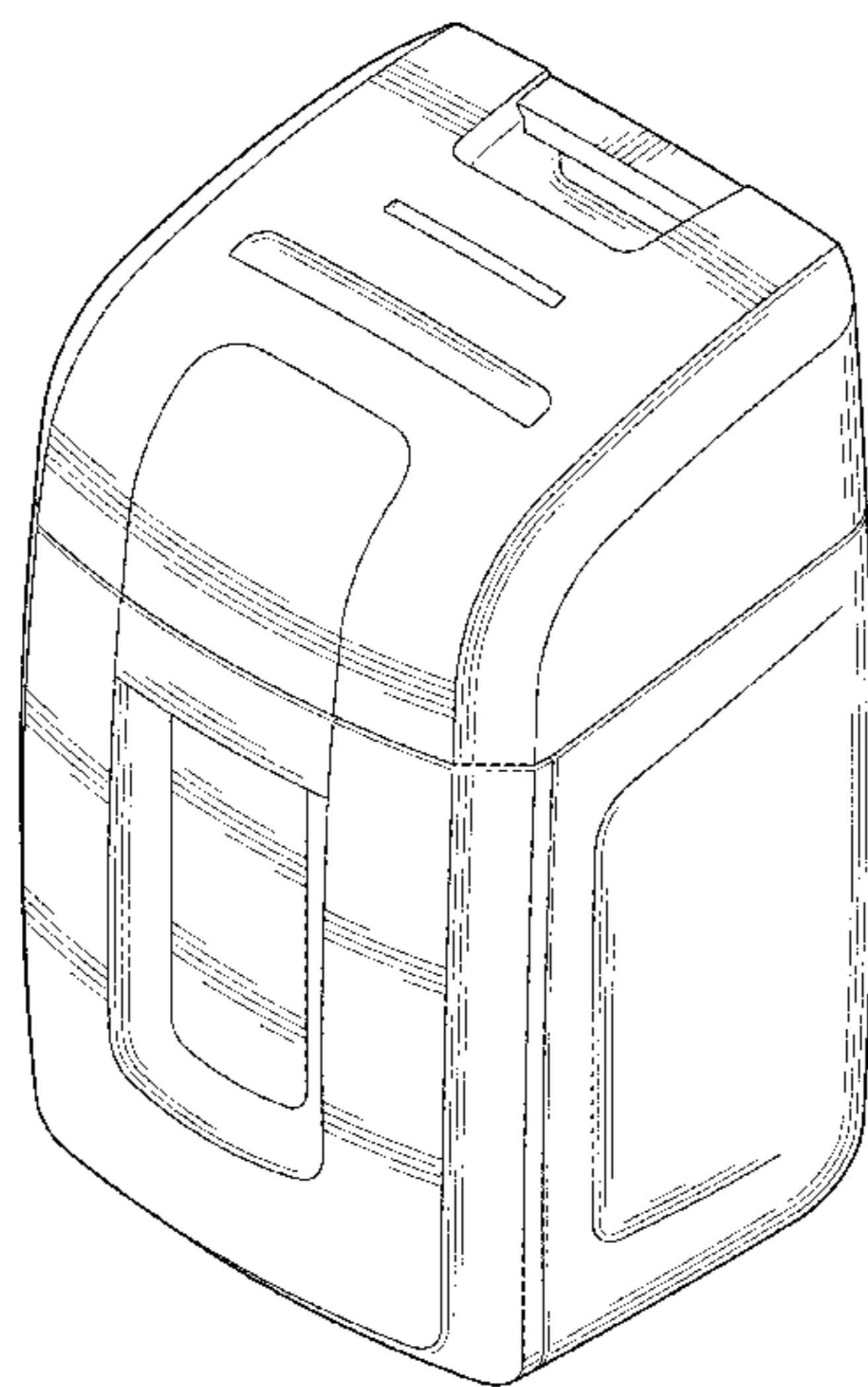
FIG. 5 is a top view of the shredder of FIG. 1.

FIG. 6 is a bottom view of the shredder of FIG. 1; and,

FIG. 7 is a back perspective view of the shredder of FIG. 1.

The broken lines immediately adjacent to the shaded areas, encompassing unshaded regions, represent unclaimed boundaries of the claimed design while all other broken lines are directed to environment and are for illustrative purposes only; the broken lines form no part of the claimed design. The shading lines shown in the drawing(s) represent the three-dimensional contour of the design, and are not intended to indicate surface decoration.

1 Claim, 6 Drawing Sheets



(56)

References Cited

U.S. PATENT DOCUMENTS

D643,461 S 8/2011 Kim et al.
D660,345 S 5/2012 Horvath et al.
D660,907 S 5/2012 Wing et al.
D677,717 S 3/2013 Applegate et al.
D686,657 S 7/2013 Applegate et al.
D688,739 S 8/2013 Labat
D688,740 S 8/2013 Applegate et al.
D694,813 S * 12/2013 Choi D18/34.5
D724,654 S * 3/2015 Labat D18/34.5
2006/0219827 A1 10/2006 Matlin et al.
2008/0230640 A1* 9/2008 Mussig B02C 18/0007
241/100

2011/0253824 A1* 10/2011 Aries B02C 18/0007
241/222
2012/0091244 A1* 4/2012 Loos B02C 18/0084
241/279
2014/0048637 A1* 2/2014 Zhang B02C 18/0007
241/285.1
2014/0263773 A1* 9/2014 Barthel B02C 18/0007
241/25

FOREIGN PATENT DOCUMENTS

EM 002389866-0002 * 3/2014
EM 002389866-0003 * 3/2014
EM 002389866-0004 * 3/2014

* cited by examiner

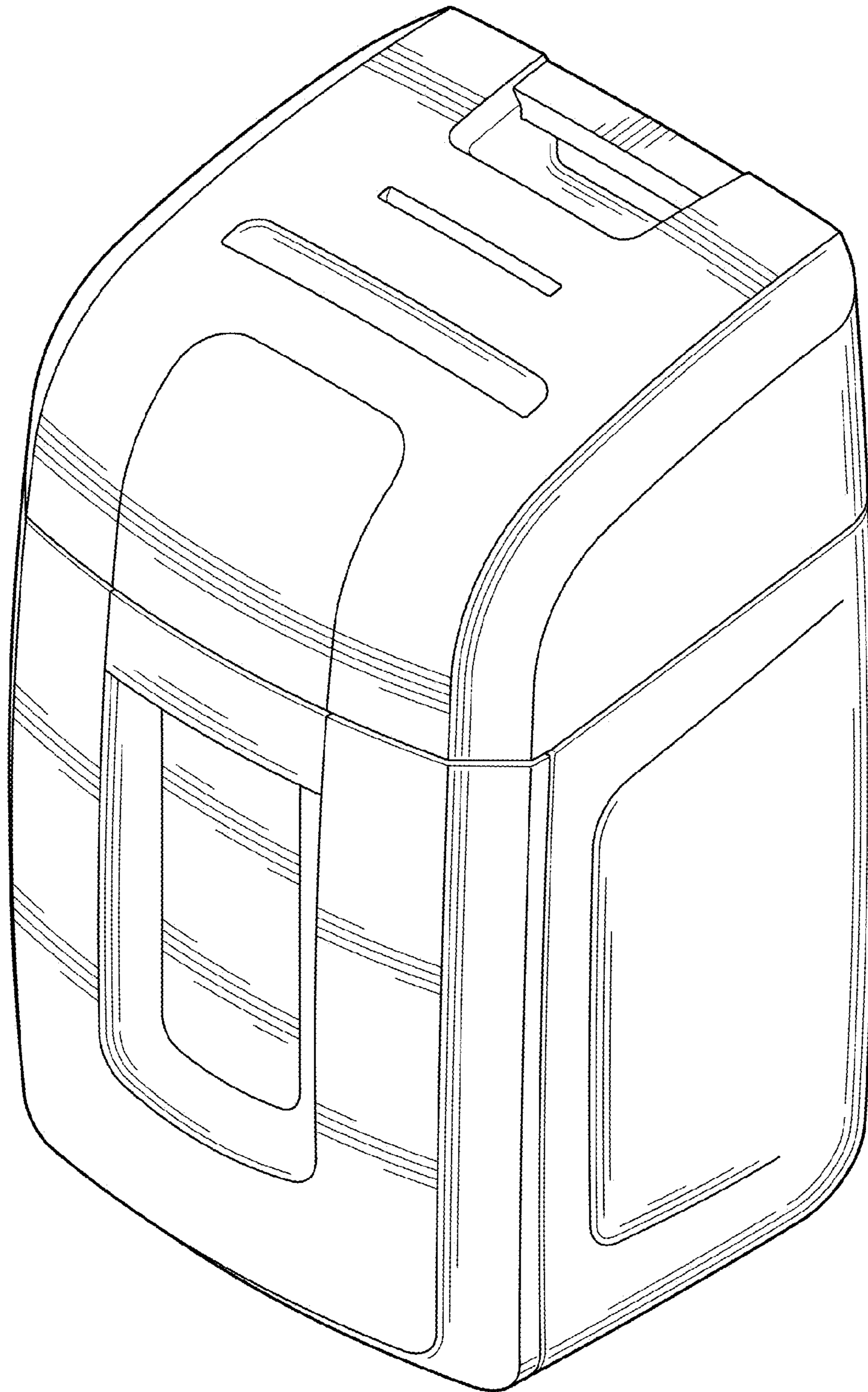


FIG. 1

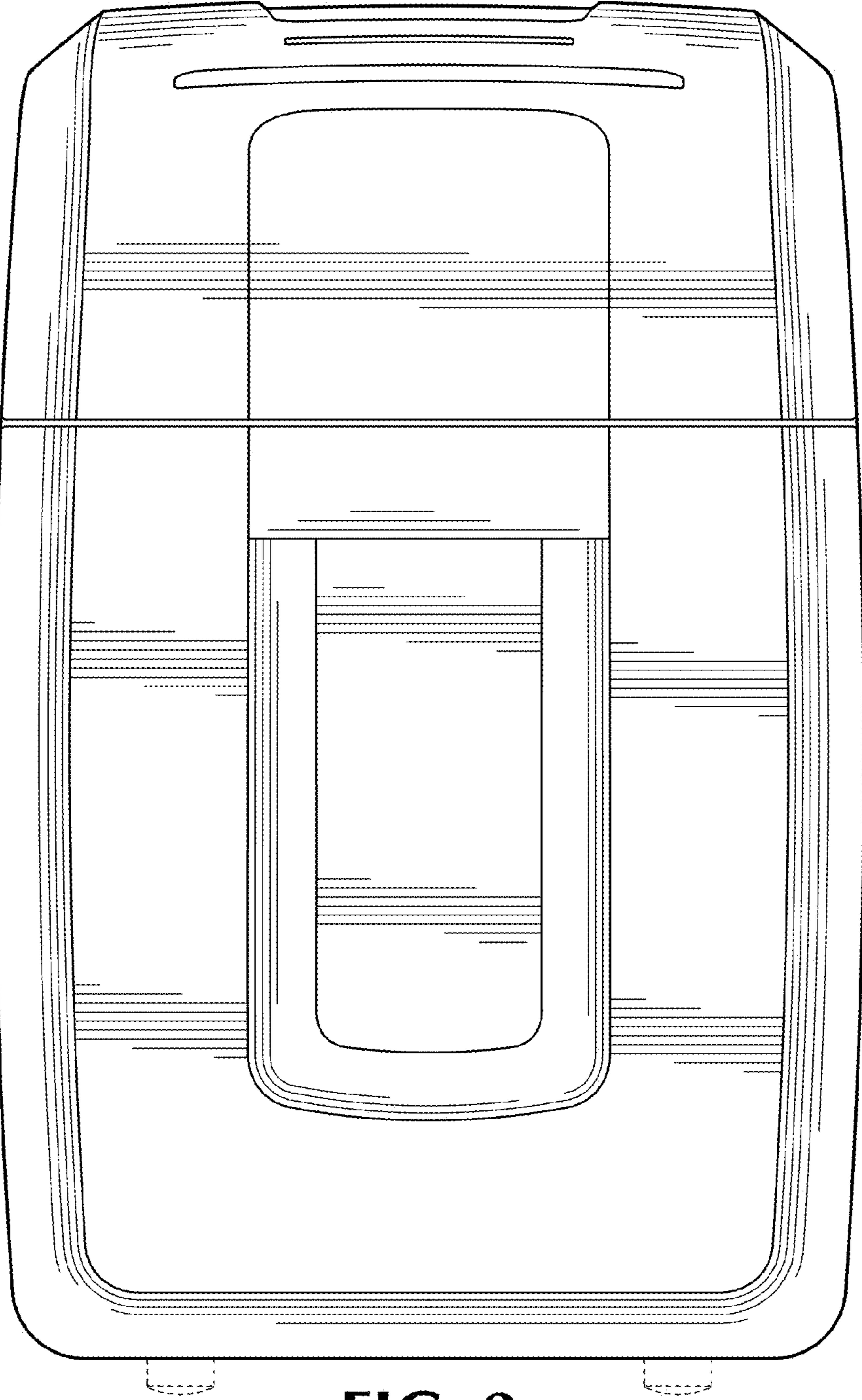


FIG. 2

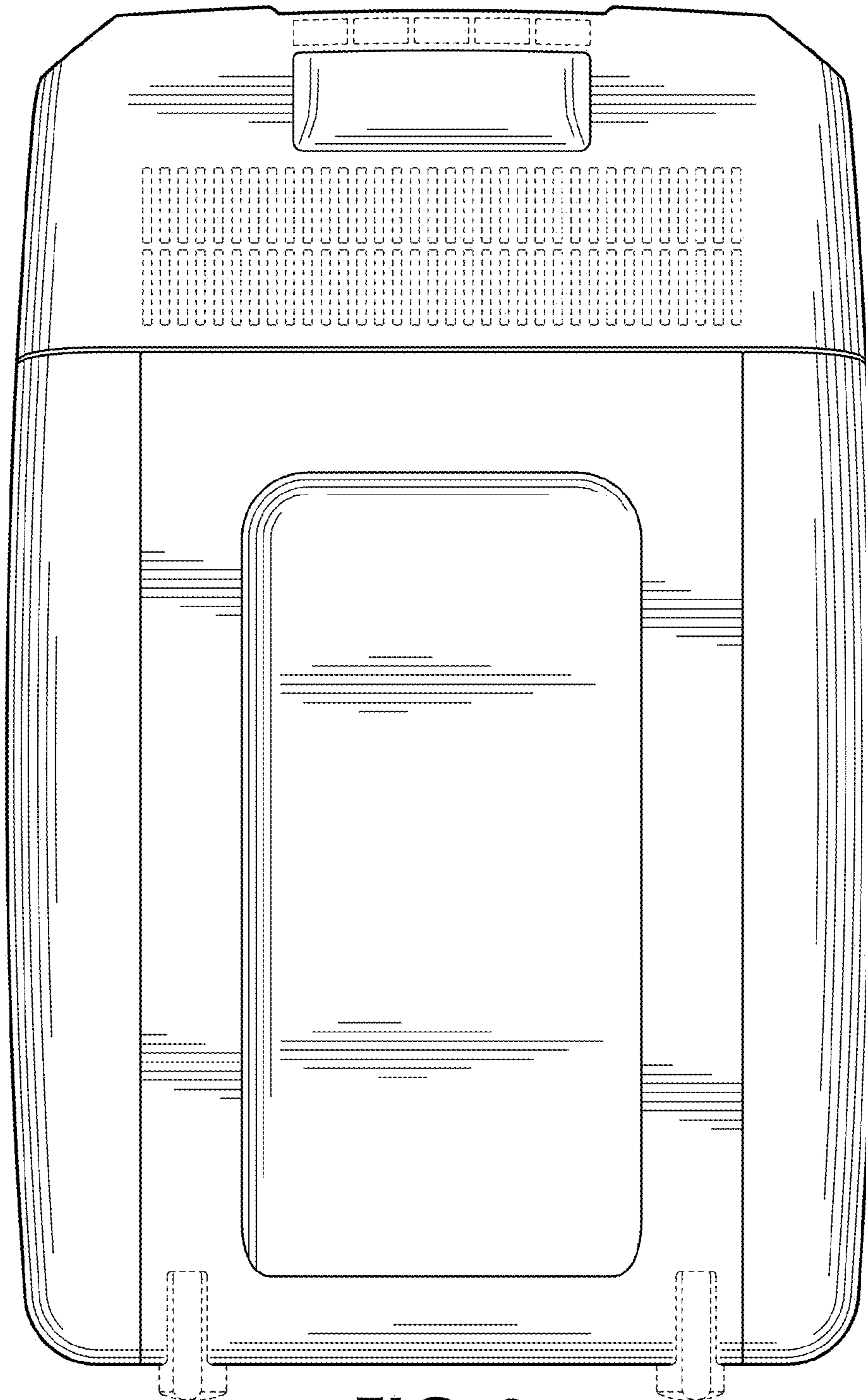


FIG. 3

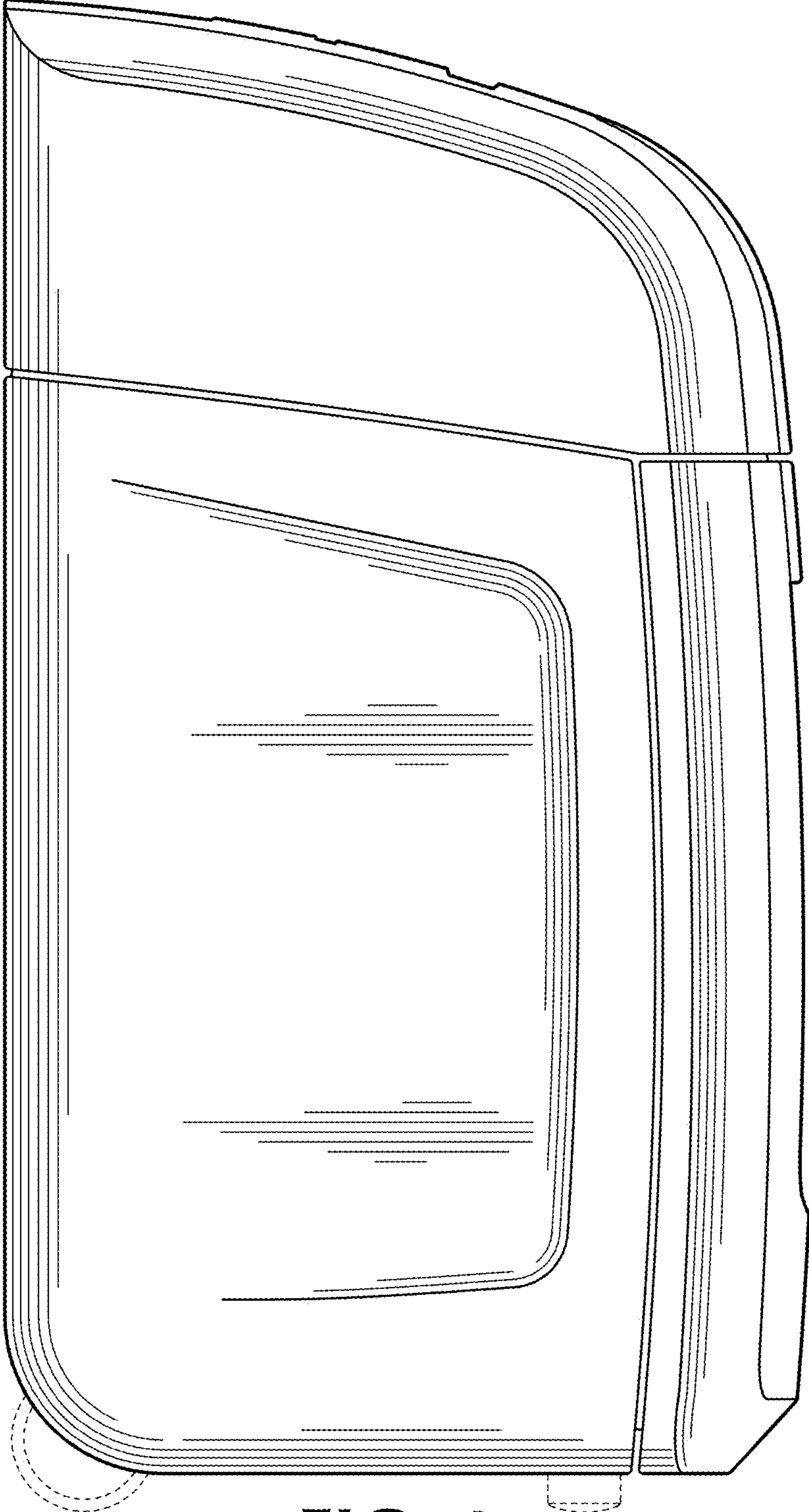


FIG. 4

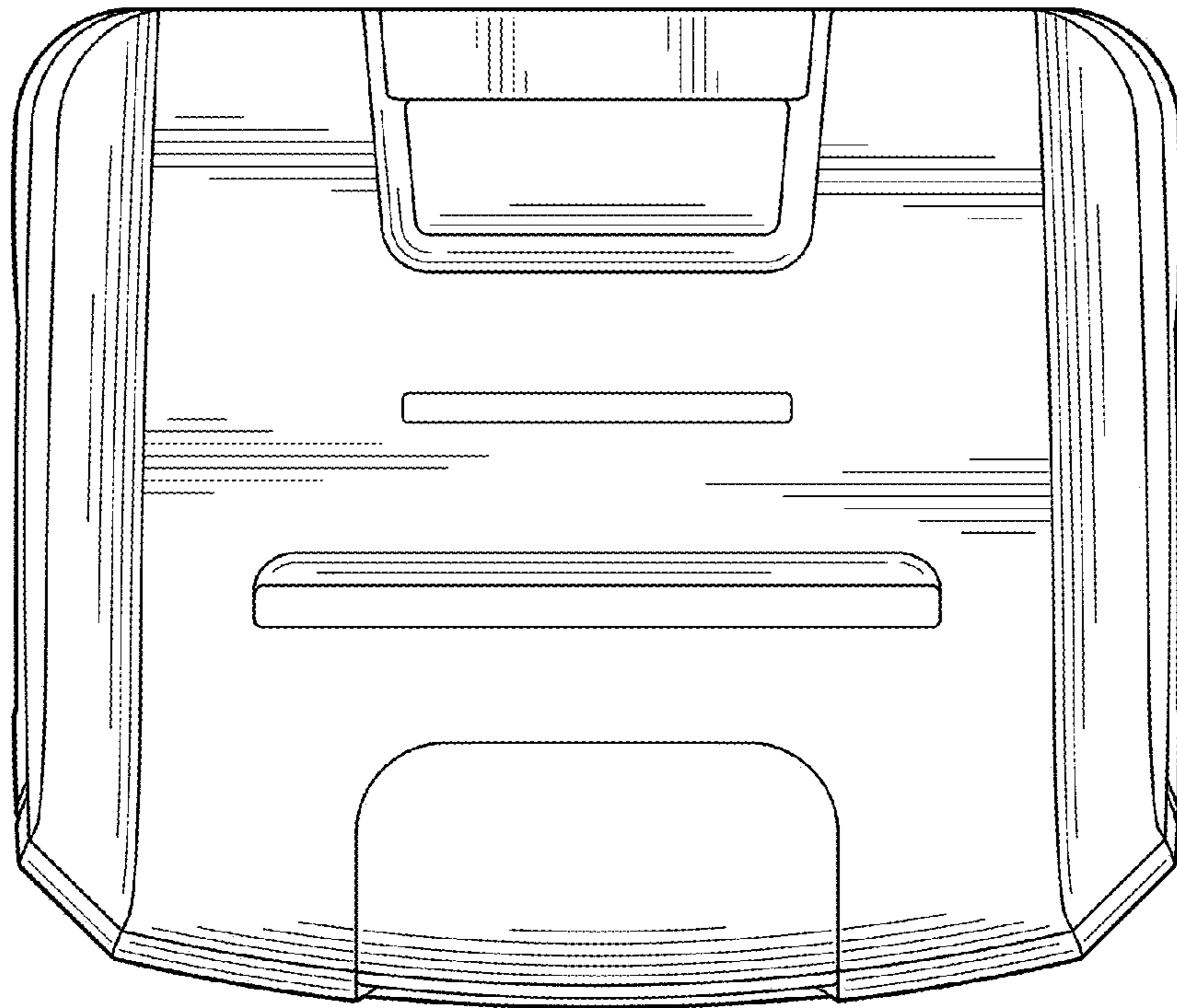


FIG. 5

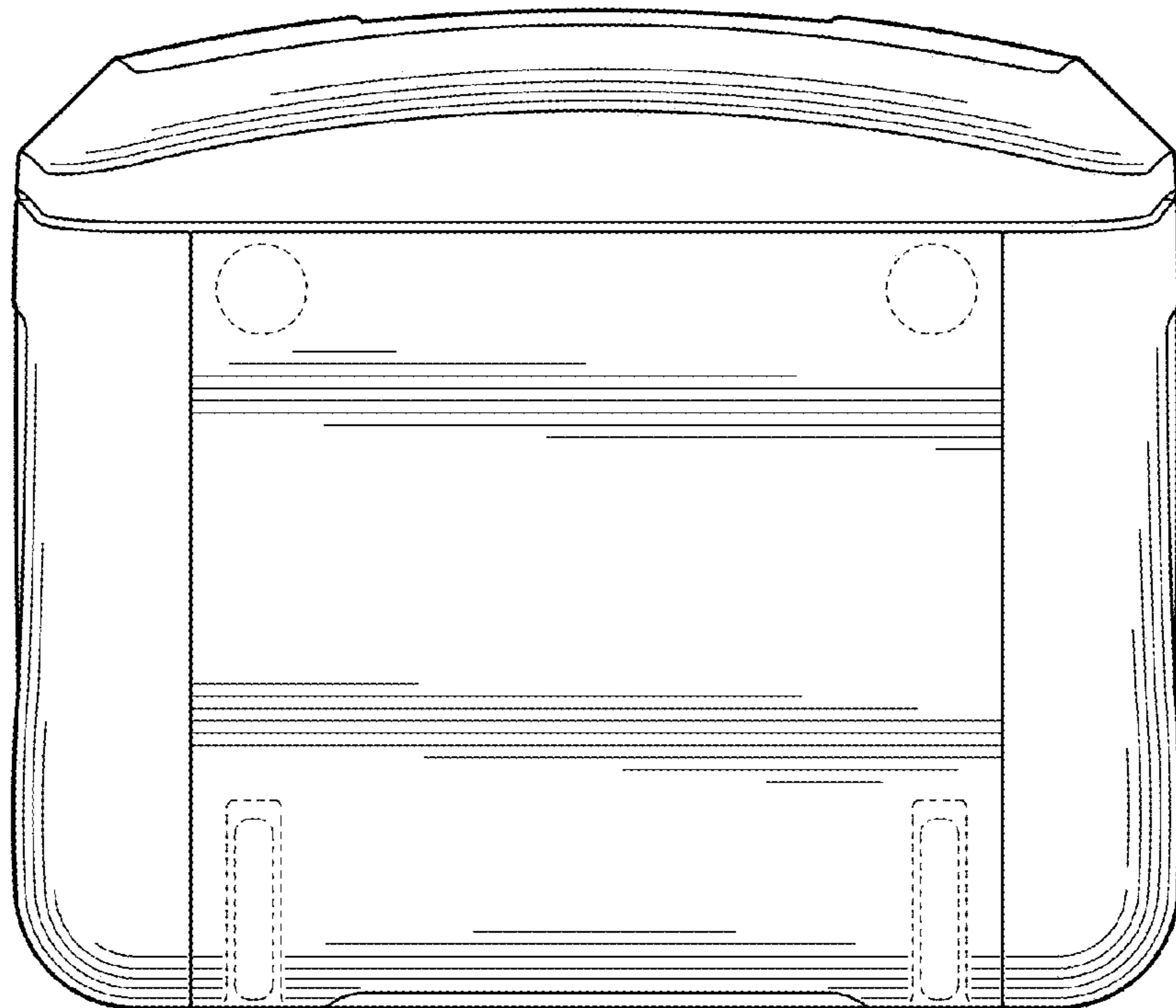


FIG. 6

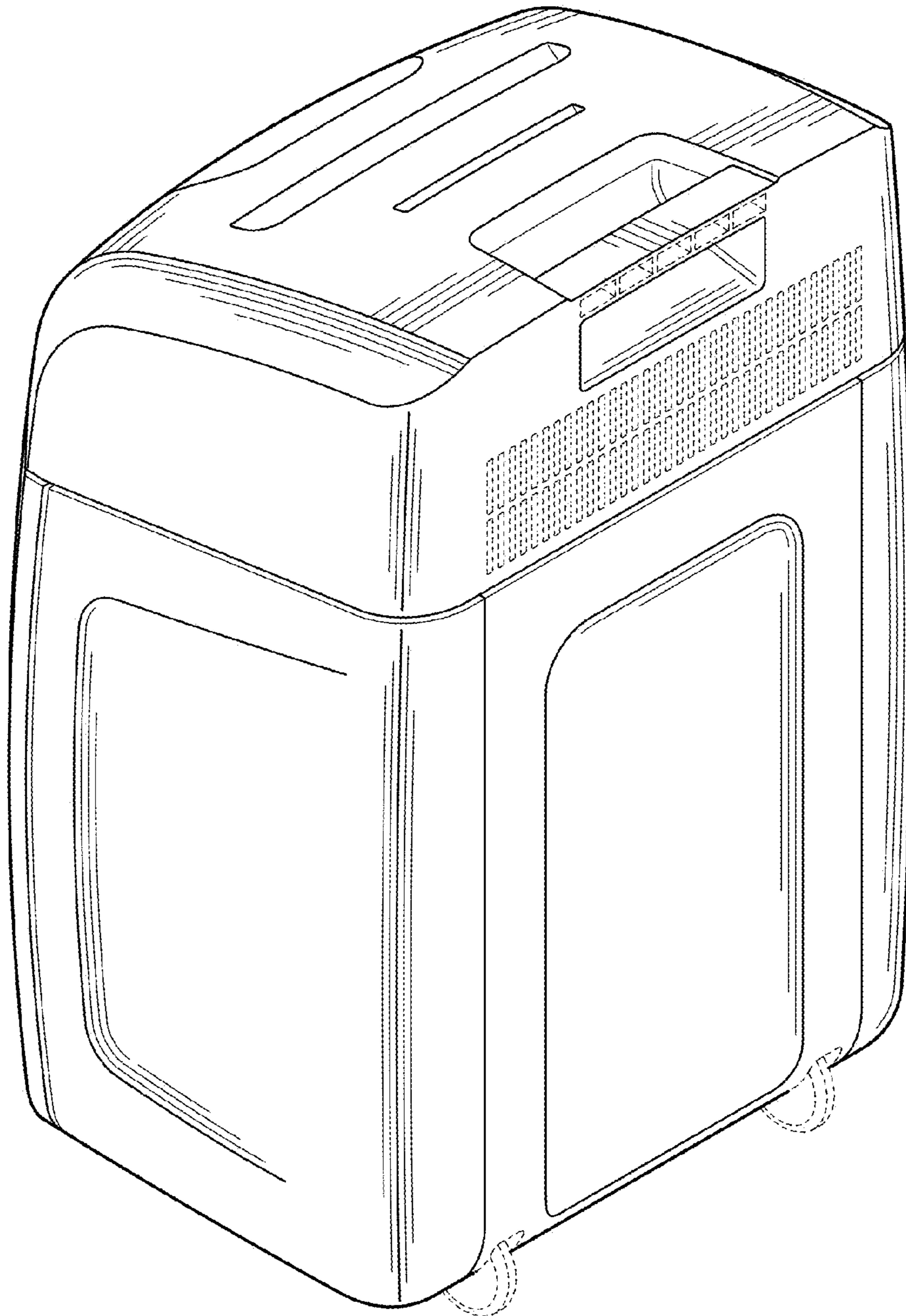


FIG. 7