



US00D748191S

(12) **United States Design Patent**
Shih

(10) **Patent No.:** **US D748,191 S**
(45) **Date of Patent:** **** Jan. 26, 2016**

- (54) **STAMP FACE COVER**
- (71) Applicant: **SUN SAME ENTERPRISES CO., LTD.**, Tainan (TW)
- (72) Inventor: **Wen-Jer Shih**, Tainan (TW)
- (73) Assignee: **Sun Same Enterprises Co., Ltd.**, Tainan (TW)
- (**) Term: **14 Years**
- (21) Appl. No.: **29/485,407**
- (22) Filed: **Mar. 19, 2014**
- (51) **LOC (10) Cl.** **19-02**
- (52) **U.S. Cl.**
USPC **D18/18**
- (58) **Field of Classification Search**
USPC D18/18, 15, 16, 17, 19, 50; D19/65-68, D19/70, 71; 101/104, 333, 334, 327, 328, 101/405, 406; 118/264, 268; D9/521, 544, D9/545
CPC B41K 1/00; B41K 1/006; B41K 1/02; B41K 1/08; B41K 1/40; B41K 1/42; B41K 1/52; B41K 1/54; B41K 1/05; B41K 99/00
See application file for complete search history.

(56) **References Cited**

U.S. PATENT DOCUMENTS

- D318,685 S * 7/1991 Kida D18/15
- D367,879 S * 3/1996 Smith D18/17

- 5,839,857 A * 11/1998 Paya B23B 27/141 407/114
- D448,393 S * 9/2001 Hartlohner D15/139
- D502,498 S * 3/2005 Kida D18/18
- D553,181 S * 10/2007 Yasoshima D18/17
- D616,922 S * 6/2010 Faber D18/18
- D626,585 S * 11/2010 Shih D18/18
- D626,586 S * 11/2010 Shih D18/18
- D628,234 S * 11/2010 Shih D18/18
- D630,677 S * 1/2011 Shih D18/18
- D653,281 S * 1/2012 Shih D18/18
- D679,318 S * 4/2013 Yasoshima D18/17

* cited by examiner

Primary Examiner — Bridget L Eland

Assistant Examiner — Lauren McVey

(74) *Attorney, Agent, or Firm* — Alan D. Kamrath; Kamrath IP Lawfirm, P.A.

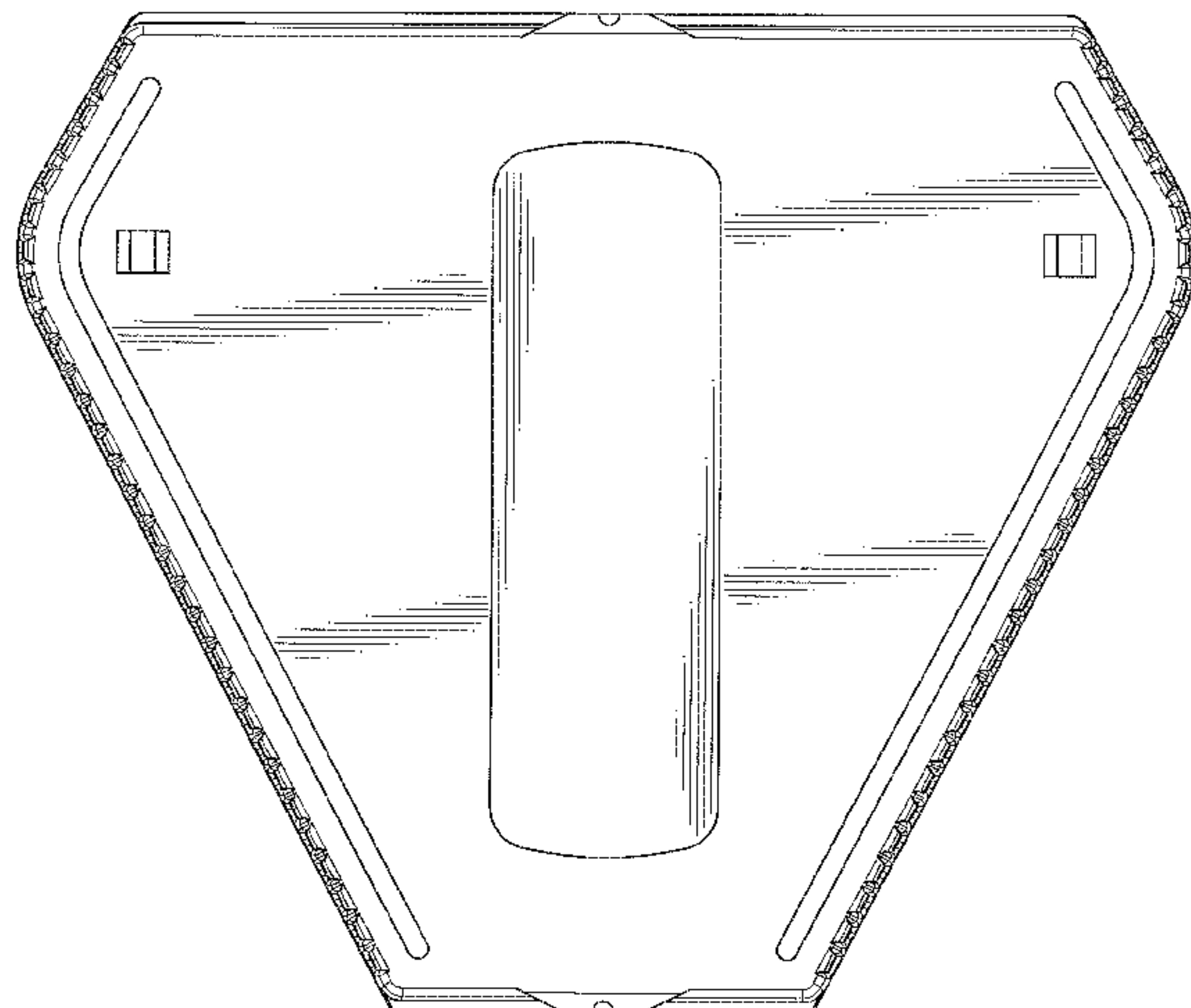
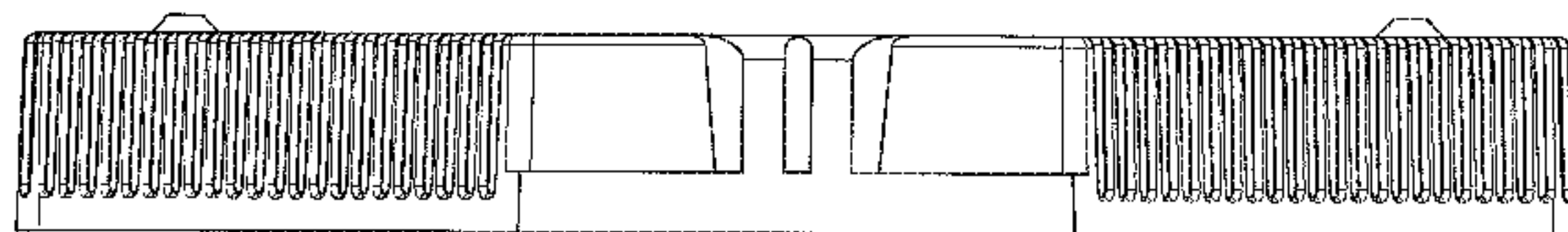
(57) **CLAIM**

The ornamental design for a stamp face cover, as shown.

DESCRIPTION

FIG. 1 is a perspective view of a stamp face cover showing my new design;
 FIG. 2 is a front view thereof;
 FIG. 3 is a rear view thereof;
 FIG. 4 is a left view thereof;
 FIG. 5 is a right view thereof;
 FIG. 6 is a top view thereof;
 FIG. 7 is a bottom view thereof; and,
 FIG. 8 is another perspective view thereof.

1 Claim, 6 Drawing Sheets



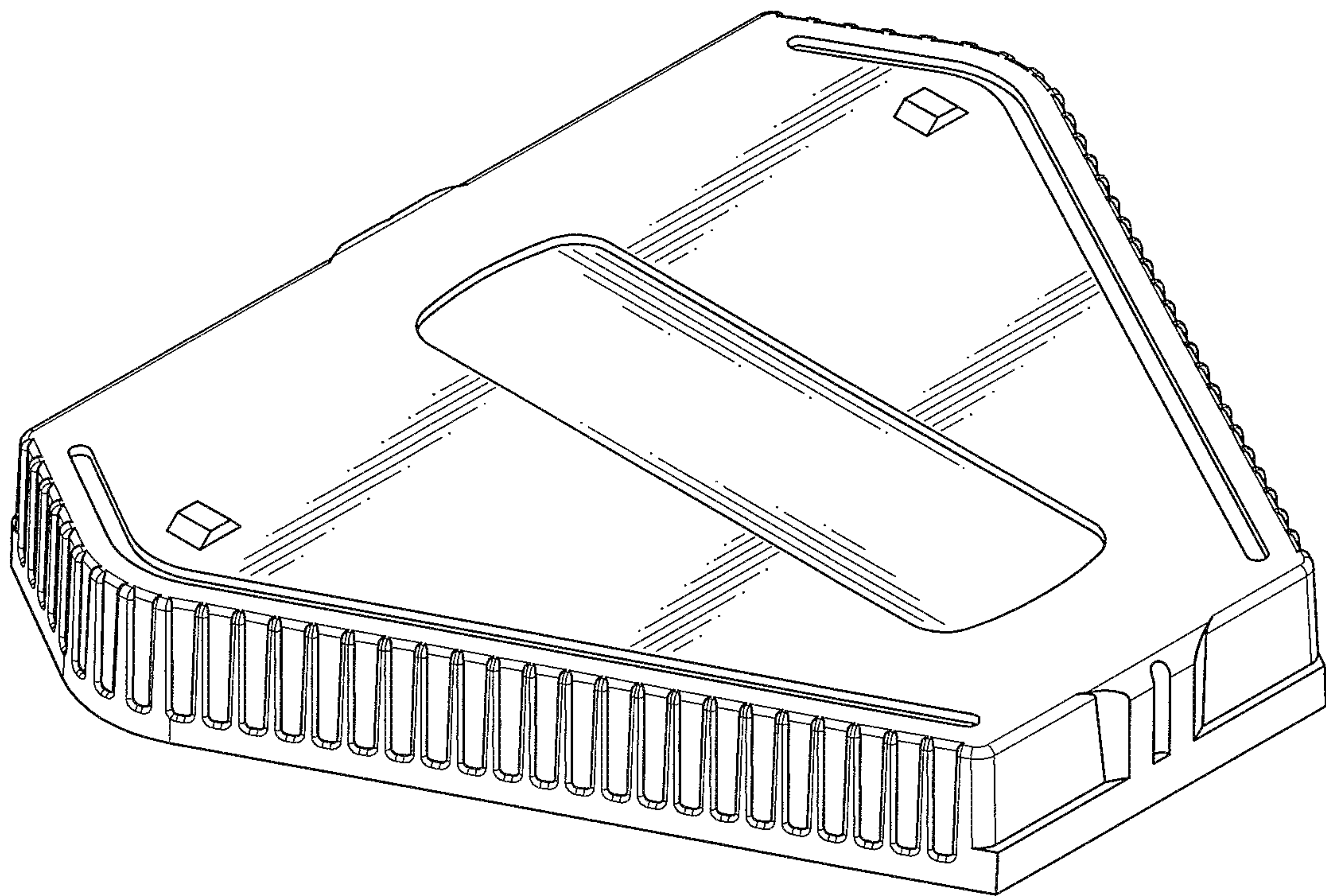


FIG.1

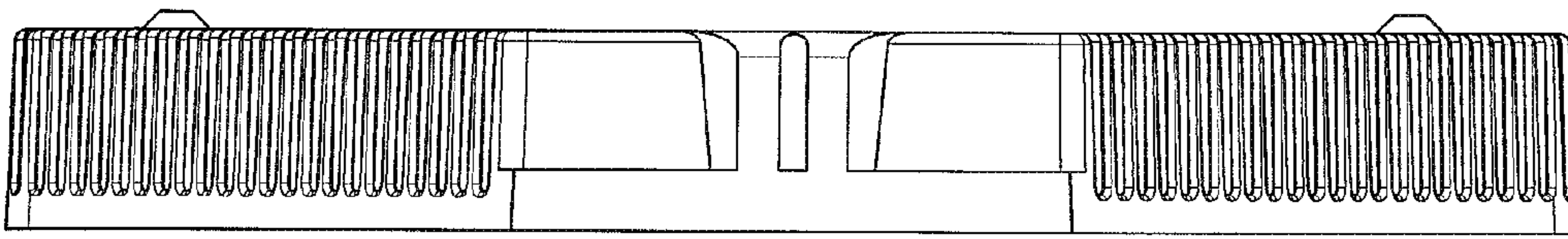


FIG.2

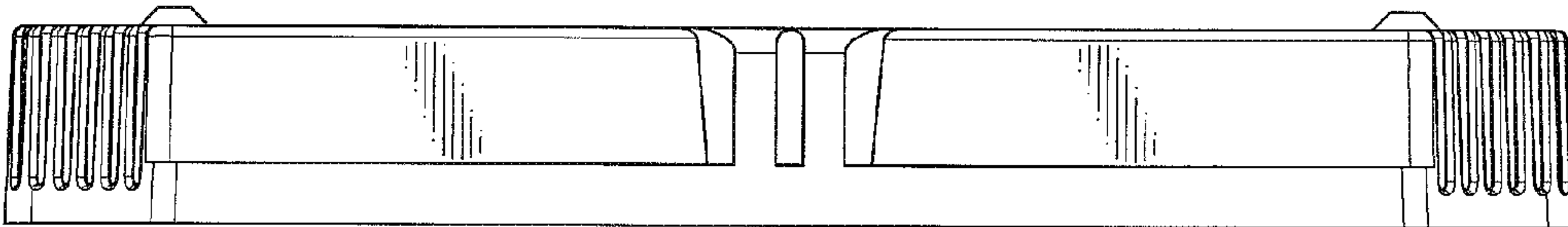


FIG.3

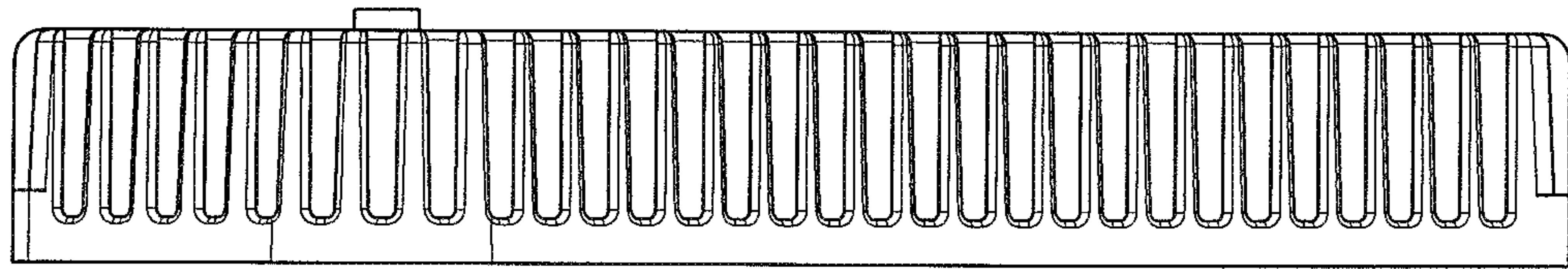


FIG. 4

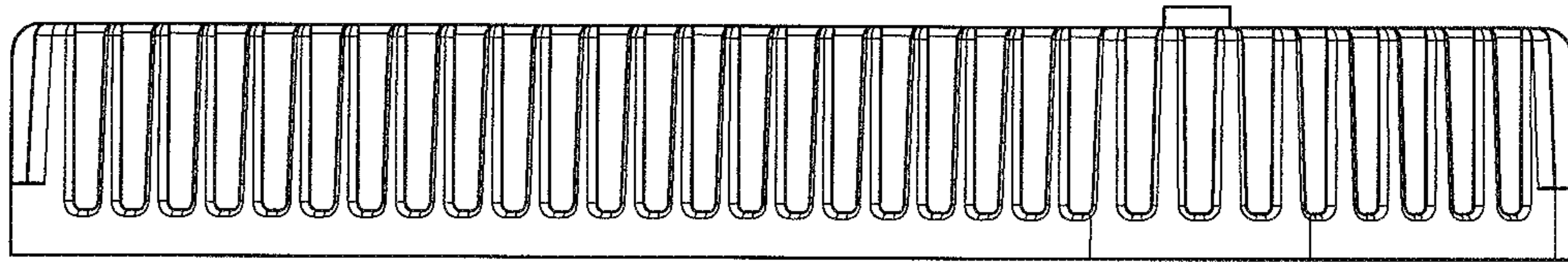


FIG. 5

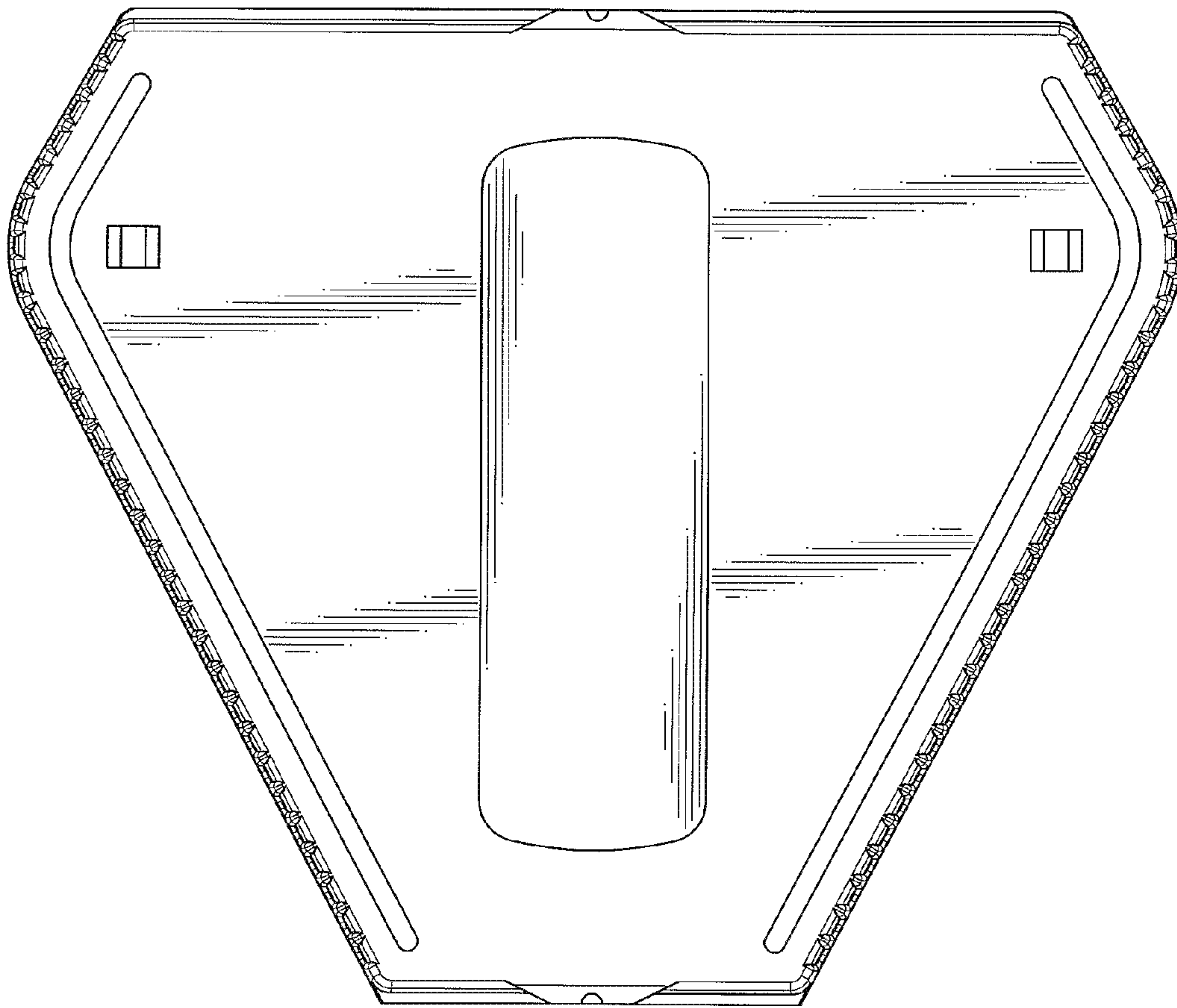


FIG.6

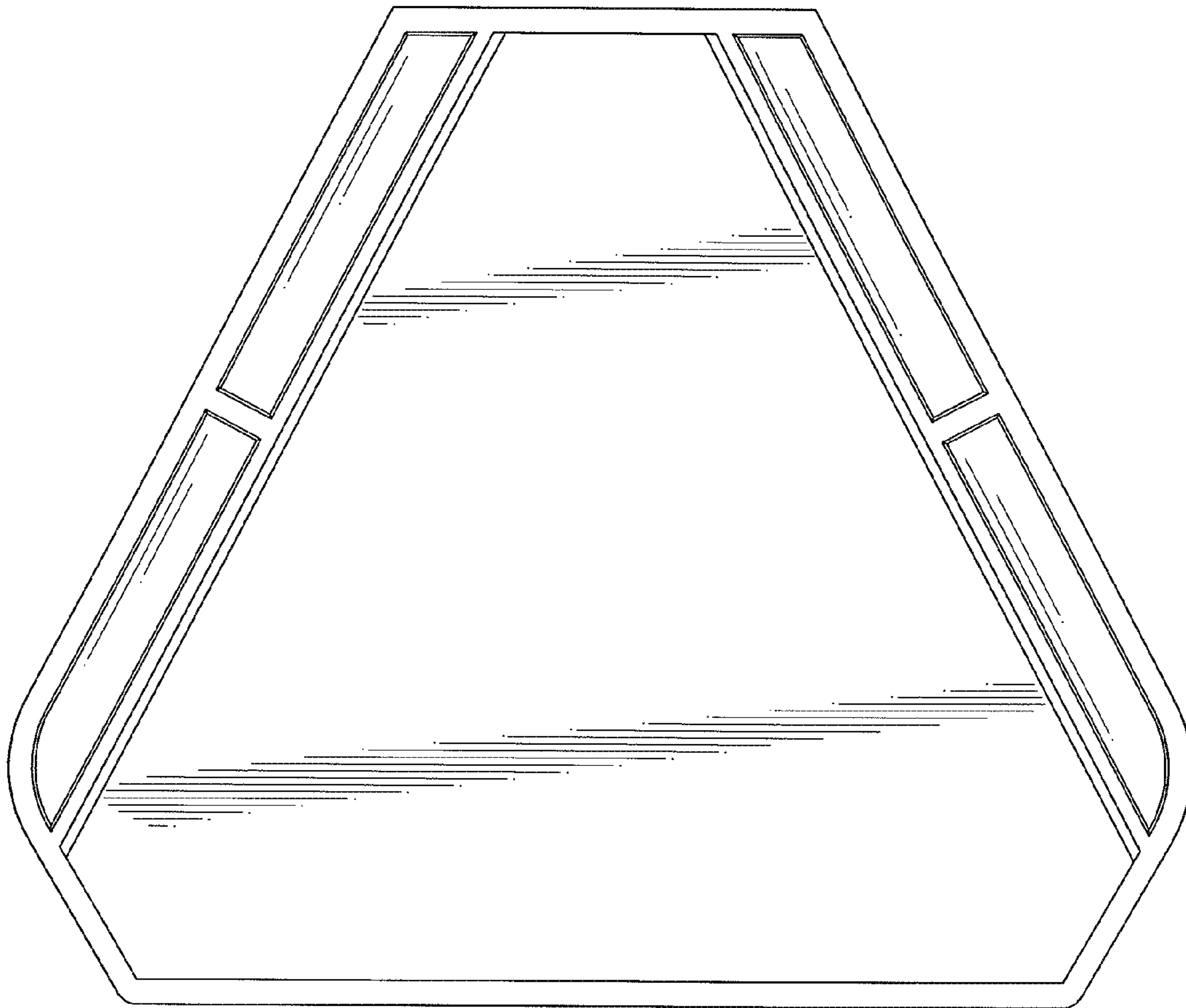


FIG.7

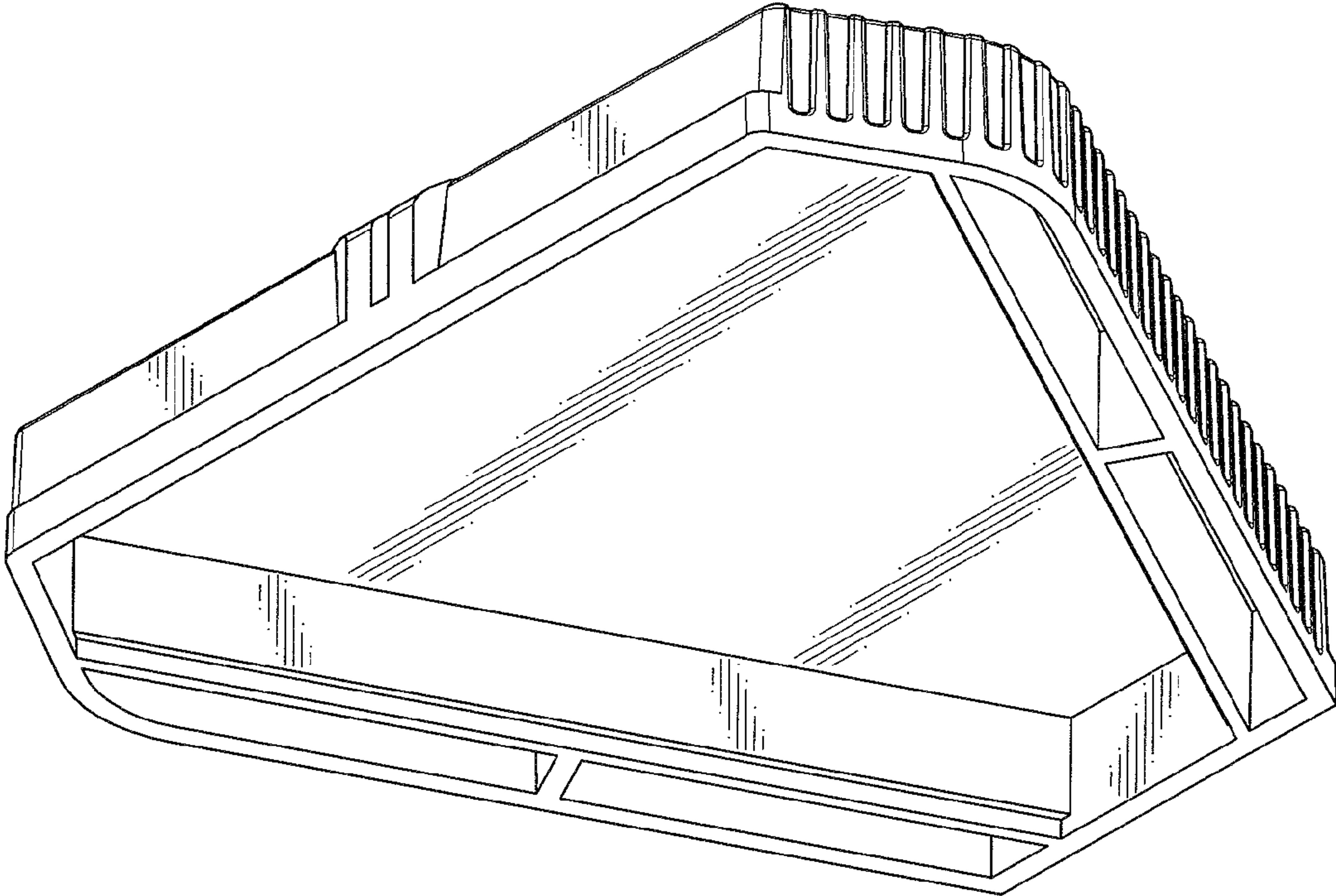


FIG.8