



US00D748182S

(12) **United States Design Patent**
Polito et al.

(10) **Patent No.:** **US D748,182 S**
(45) **Date of Patent:** **** Jan. 26, 2016**

(54) **CLAMP WITH A FLEXIBLE EXTENSION**

(71) Applicant: **DayMen US, Inc.**, Petaluma, CA (US)

(72) Inventors: **Fred Italo Polito**, Santa Cruz, CA (US);
Noah Balmer, Oakland, CA (US);
David Ethan Yao, San Francisco, CA (US)

(73) Assignee: **Daymen US, Inc.**, Petaluma, CA (US)

(**) Term: **14 Years**

(21) Appl. No.: **29/464,249**

(22) Filed: **Aug. 14, 2013**

(51) **LOC (10) Cl.** **16-05**

(52) **U.S. Cl.**
USPC **D16/242**

(58) **Field of Classification Search**
USPC D16/205, 208, 211, 214, 218–220, 235,
D16/237–250, 302, 303; D8/354, 363,
D8/394–396; D14/217, 251, 253, 447, 452
CPC G03B 17/14; G03B 17/26; G03B 17/30;
G03B 17/56; G03B 17/561–17/568; G03B
21/54; F16M 11/14; F16M 11/26; F16M
13/04; H04N 5/2254

See application file for complete search history.

(56) **References Cited**

U.S. PATENT DOCUMENTS

D281,073 S * 10/1985 Hanke D16/245
D293,470 S * 12/1987 Adler D24/140
D328,088 S * 7/1992 Horino D16/239
D337,333 S * 7/1993 Turk D14/251
D382,286 S * 8/1997 Doran D16/242
5,664,750 A * 9/1997 Cohen 248/231.71

D394,669 S * 5/1998 Becker et al. D16/242
D498,251 S * 11/2004 Invencio D16/242
D502,956 S * 3/2005 Holmes et al. D16/242
D515,613 S * 2/2006 Holmes et al. D16/242
D580,474 S * 11/2008 Lee et al. D16/242
D665,007 S * 8/2012 Gooch D16/242
D670,284 S * 11/2012 Choi D14/253

OTHER PUBLICATIONS

Joby Action Clamp & GorillaPod Arm. [online] Retrieved Feb. 6, 2015 from URL: <<http://joby.com/action-series/action-clamp-gorilla-pod-arm>>.*

* cited by examiner

Primary Examiner — Susan Bennett Hattan

Assistant Examiner — Vy Koenig

(74) *Attorney, Agent, or Firm* — Michael A. Guth

(57) **CLAIM**

The ornamental design for a clamp with a flexible extension, as shown and described.

DESCRIPTION

FIG. 1 is a raised perspective view of a clamp with a flexible extension showing our new design.

FIG. 2 is a right side view of a clamp with a flexible extension.

FIG. 3 is a left side view of a clamp with a flexible extension.

FIG. 4 is a rear view of a clamp with a flexible extension.

FIG. 5 is a front view of a clamp with a flexible extension.

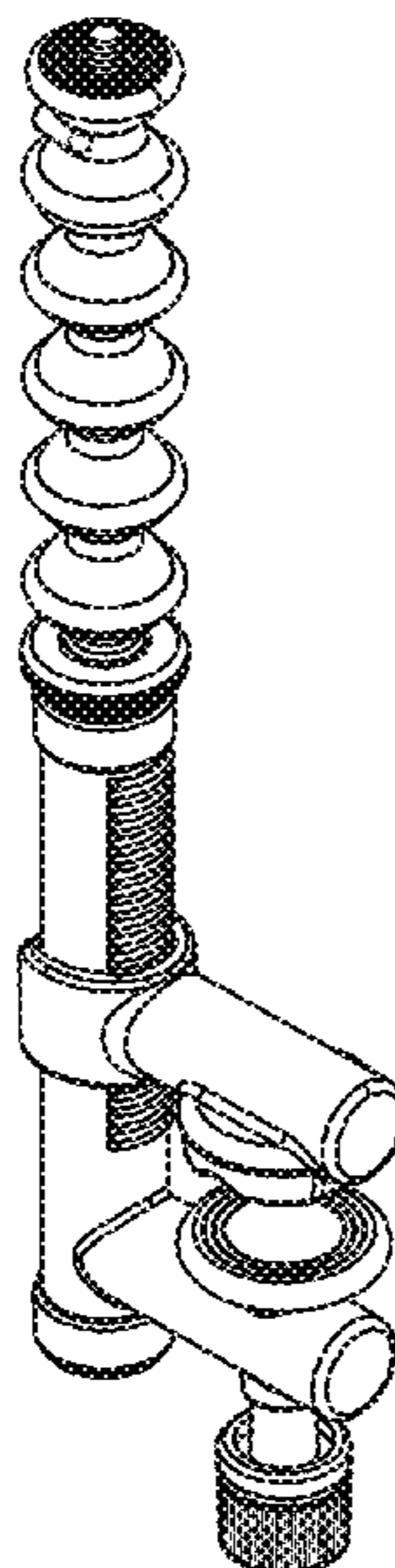
FIG. 6 is a top view of a clamp with a flexible extension.

FIG. 7 is a bottom view of a clamp with a flexible extension; and,

FIG. 8 is a perspective view of a clamp with a flexible extension.

The broken lines shown represent environmental subject matter and form no part of the claimed design.

1 Claim, 7 Drawing Sheets



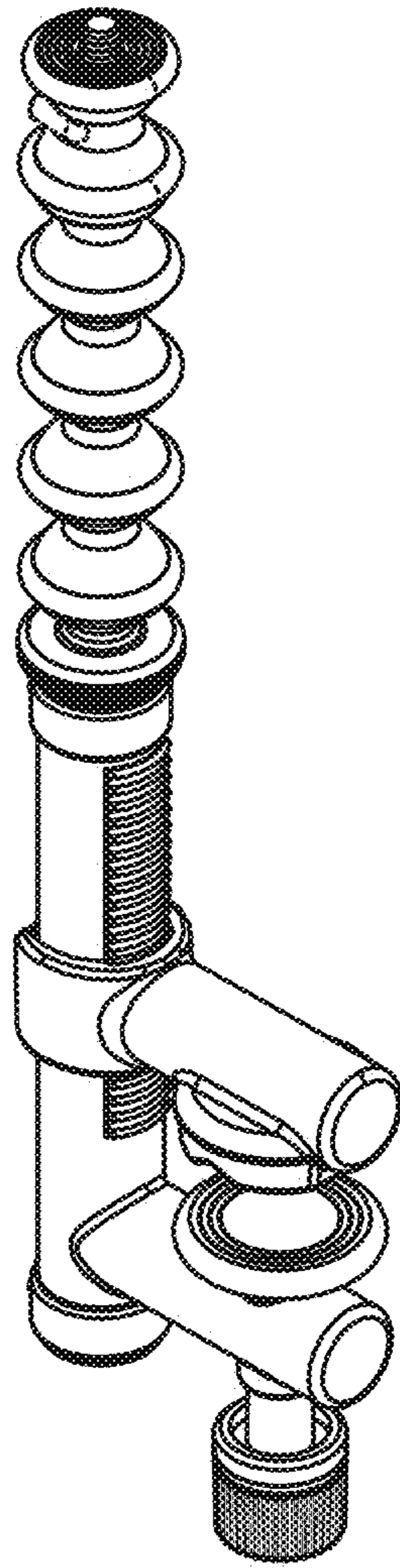


FIG. 1

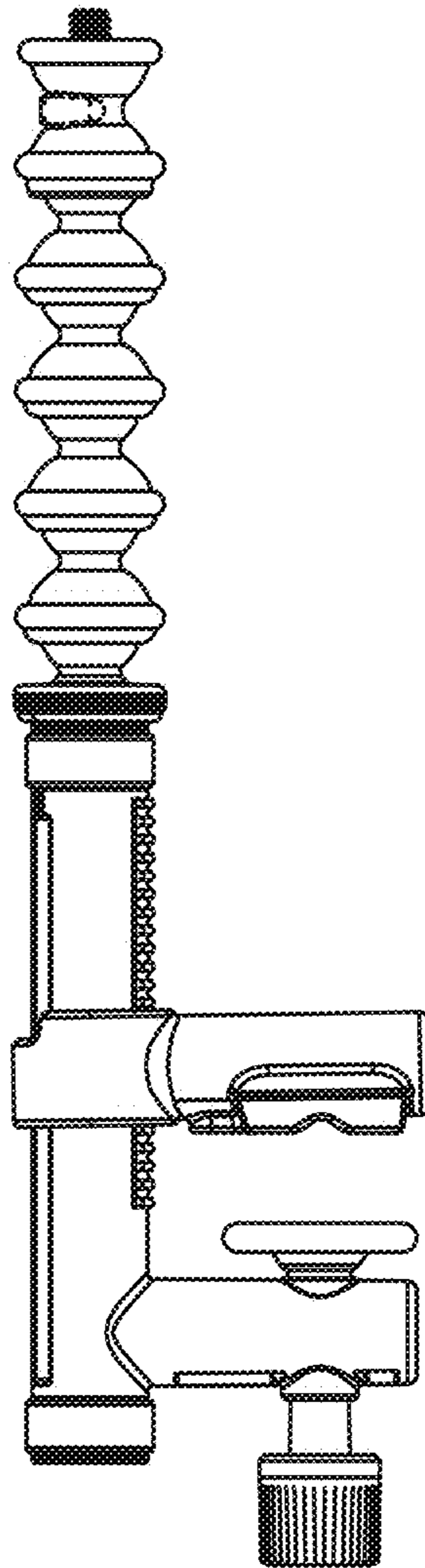


FIG. 2

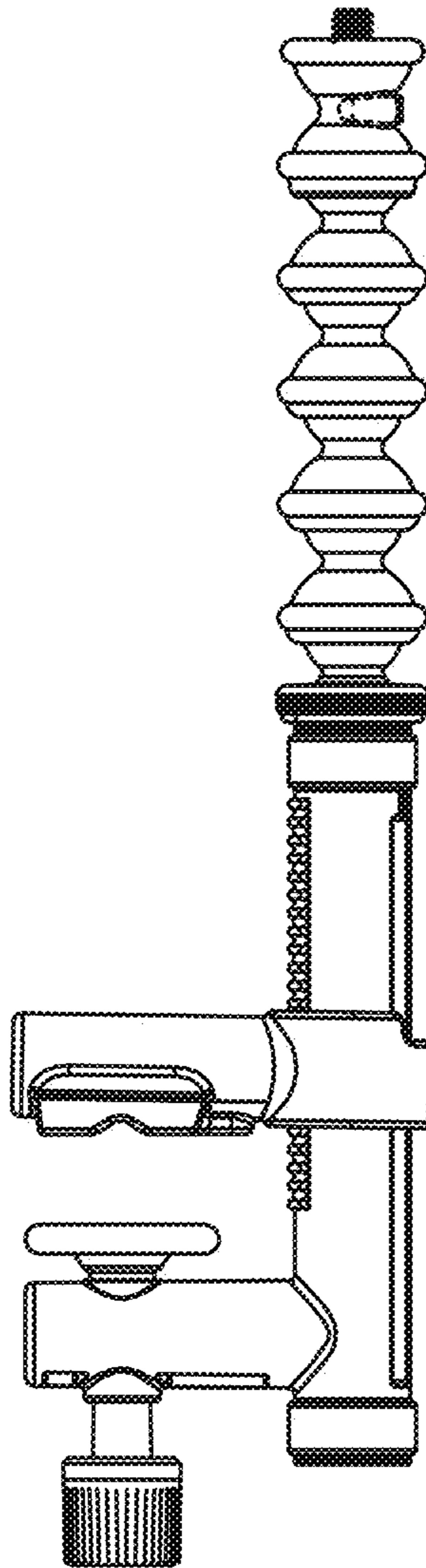


FIG. 3

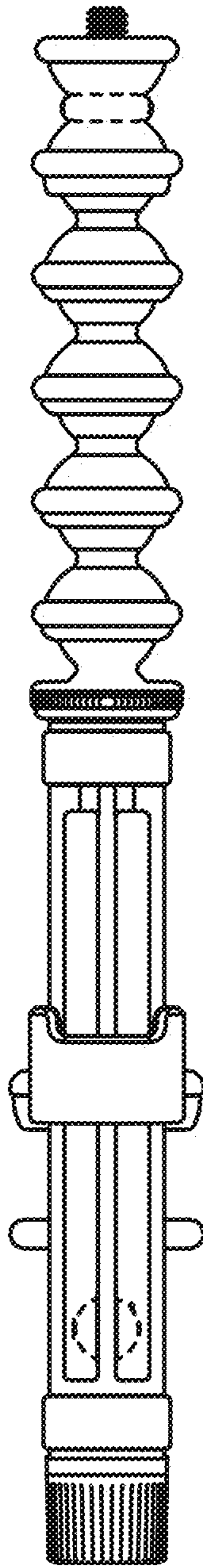


FIG. 4

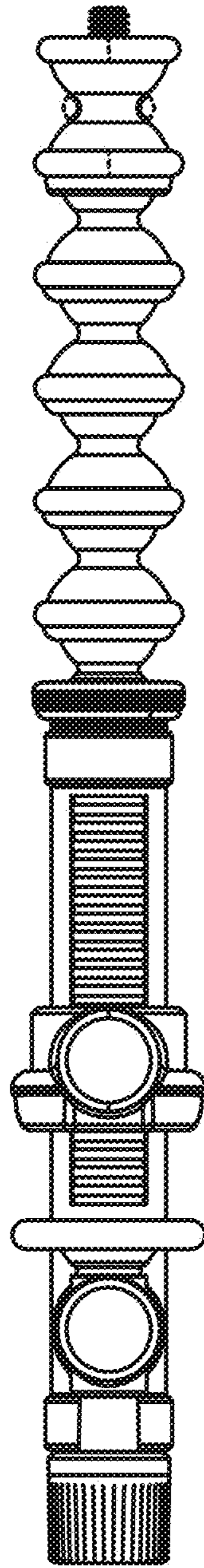


FIG. 5

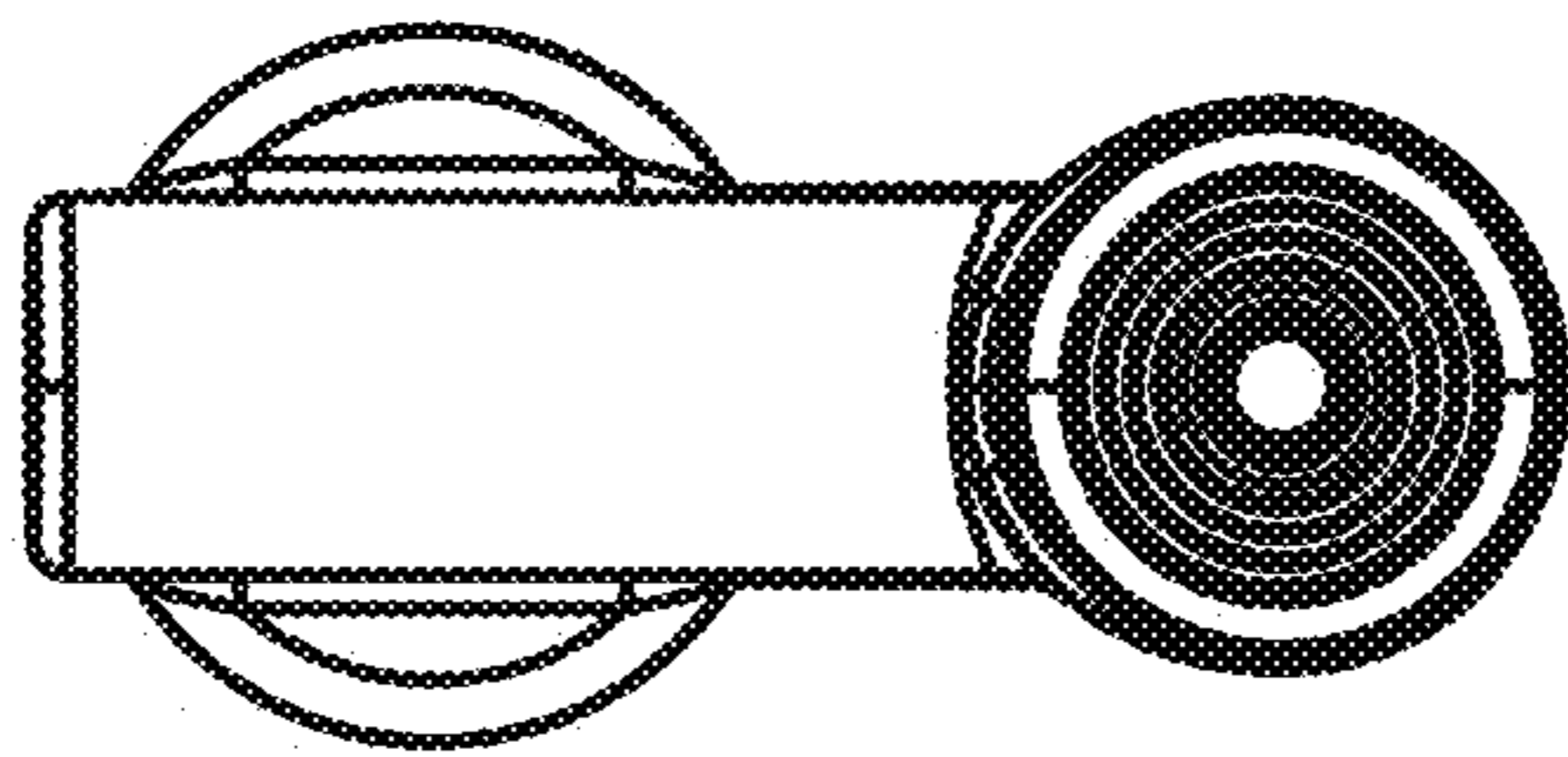


FIG. 6

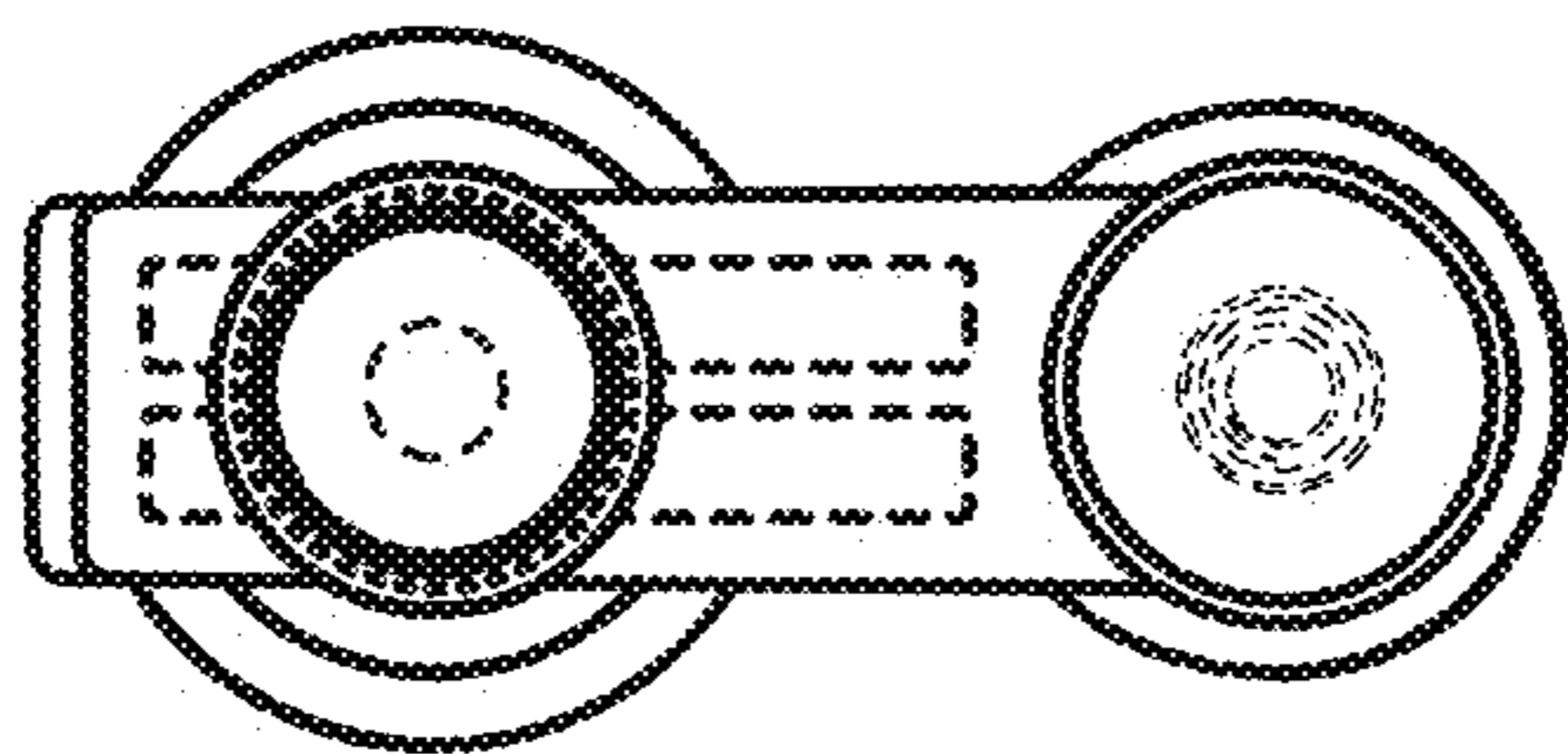


FIG. 7

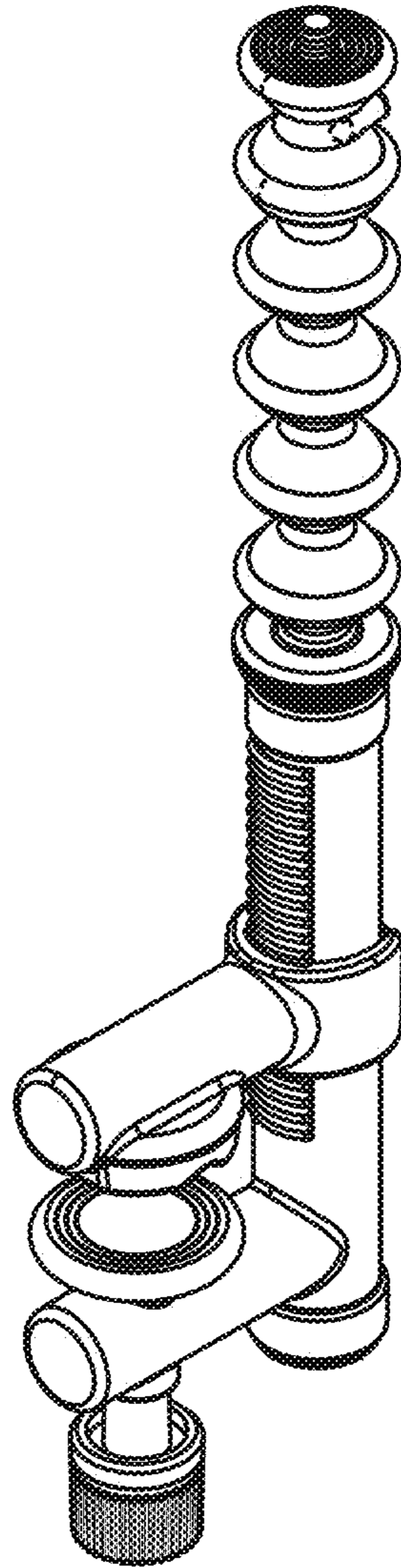


FIG. 8