



US00D748181S

(12) **United States Design Patent**  
**Kessler et al.**

(10) **Patent No.:** **US D748,181 S**

(45) **Date of Patent:** **\*\* \*Jan. 26, 2016**

(54) **JIB**

(71) Applicants: **Eric Kessler**, Bremen, IN (US); **Kevin P. Mott**, Bremen, IN (US); **Jason Woodford**, South Bend, IN (US)

(72) Inventors: **Eric Kessler**, Bremen, IN (US); **Kevin P. Mott**, Bremen, IN (US); **Jason Woodford**, South Bend, IN (US)

(73) Assignee: **Kessler Crane, Inc.**, Plymouth, IN (US)

(\*) Notice: This patent is subject to a terminal disclaimer.

(\*\*) Term: **14 Years**

(21) Appl. No.: **29/448,158**

(22) Filed: **Mar. 11, 2013**

(51) **LOC (10) Cl.** ..... **16-05**

(52) **U.S. Cl.**  
USPC ..... **D16/242**

(58) **Field of Classification Search**  
USPC ..... D16/205, 211, 214, 218-220, 237-250,  
D16/302, 303; D34/33-36  
CPC .. G03B 17/56-17/568; G03B 21/20-21/2066;  
G03B 15/041-15/0436; B66F 11/048; F16M  
11/42; F16M 11/18; F16M 11/00  
See application file for complete search history.

(56) **References Cited**

**U.S. PATENT DOCUMENTS**

2,472,944 A \* 6/1949 Furer et al. .... 280/6.15  
D224,978 S \* 10/1972 Sterner ..... D34/36

(Continued)

**OTHER PUBLICATIONS**

Pocket Jib Traveler. [online] Retrieved Nov. 17, 2014 from URL: <[http://www.kesslercrane.com/product-p/pocket\\_jib\\_traveler.htm](http://www.kesslercrane.com/product-p/pocket_jib_traveler.htm)>.\*

*Primary Examiner* — Susan Bennett Hattan

*Assistant Examiner* — Vy Koenig

(74) *Attorney, Agent, or Firm* — Botkin & Hall, LLP

(57) **CLAIM**

The ornamental design for a jib, as shown.

**DESCRIPTION**

FIG. 1 is a front perspective view of the jib in the collapsed position;

FIG. 2 is a rear perspective view of the jib of FIG. 1;

FIG. 3 is a left view of the jib of FIG. 1;

FIG. 4 is a right view of the jib of FIG. 1;

FIG. 5 is a rear view of the jib of FIG. 1;

FIG. 6 is a front view of the jib of FIG. 1;

FIG. 7 is a top view of the jib of FIG. 1;

FIG. 8 is a bottom view of the jib of FIG. 1;

FIG. 9 is a front perspective view of the jib in an extended position;

FIG. 10 is a front perspective view of the jib in FIG. 9, broken apart for detailed illustration;

FIG. 11 is a rear perspective view of the jib of FIG. 10;

FIG. 12 is a left view of the jib of FIG. 10;

FIG. 13 is a right view of the jib of FIG. 10;

FIG. 14 is a rear view of the jib of FIG. 10;

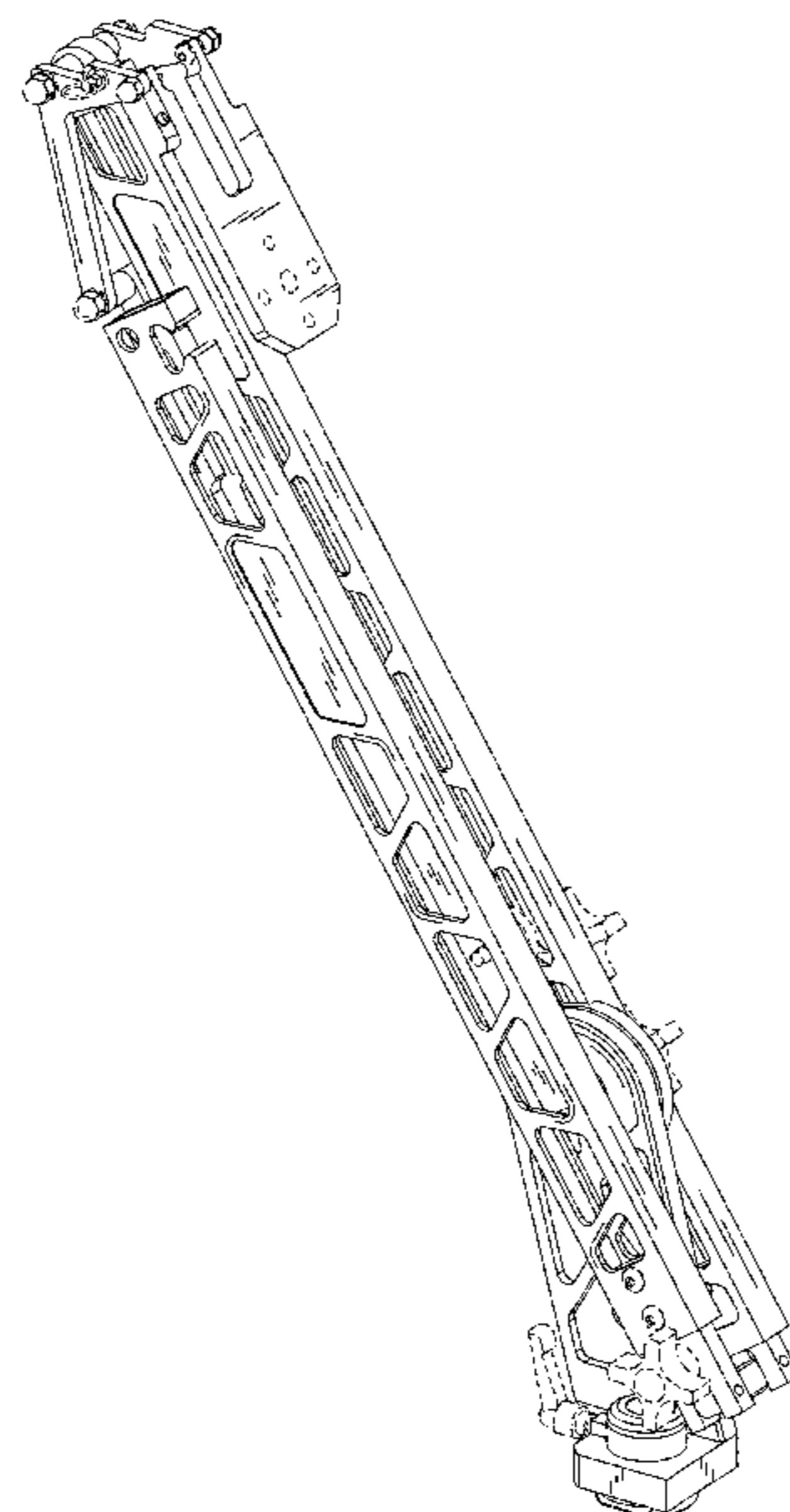
FIG. 15 is a front view of the jib of FIG. 10;

FIG. 16 is a top view of the jib of FIG. 10; and,

FIG. 17 is a bottom view of the jib of FIG. 10.

The evenly broken lines in the drawings depict environmental features and form no part of the claimed design. The long dash, short dash lines in FIGS. 10-17 depict the symbolic connections between the broken portions of the article and form no part of the claimed design.

**1 Claim, 14 Drawing Sheets**



# US D748,181 S

Page 2

---

(56)

## References Cited

### U.S. PATENT DOCUMENTS

3,890,757	A *	6/1975	Lamer et al.	.....	52/695	6,837,446	B1 *	1/2005	Jesse	.....	239/161
4,943,019	A *	7/1990	Mester	.....	248/123.11	7,063,273	B2 *	6/2006	Hahn et al.	.....	239/159
D467,451	S *	12/2002	High	.....	D6/492	D588,621	S *	3/2009	Baty	.....	D16/242
						8,033,742	B1 *	10/2011	Chapman	.....	396/428

\* cited by examiner

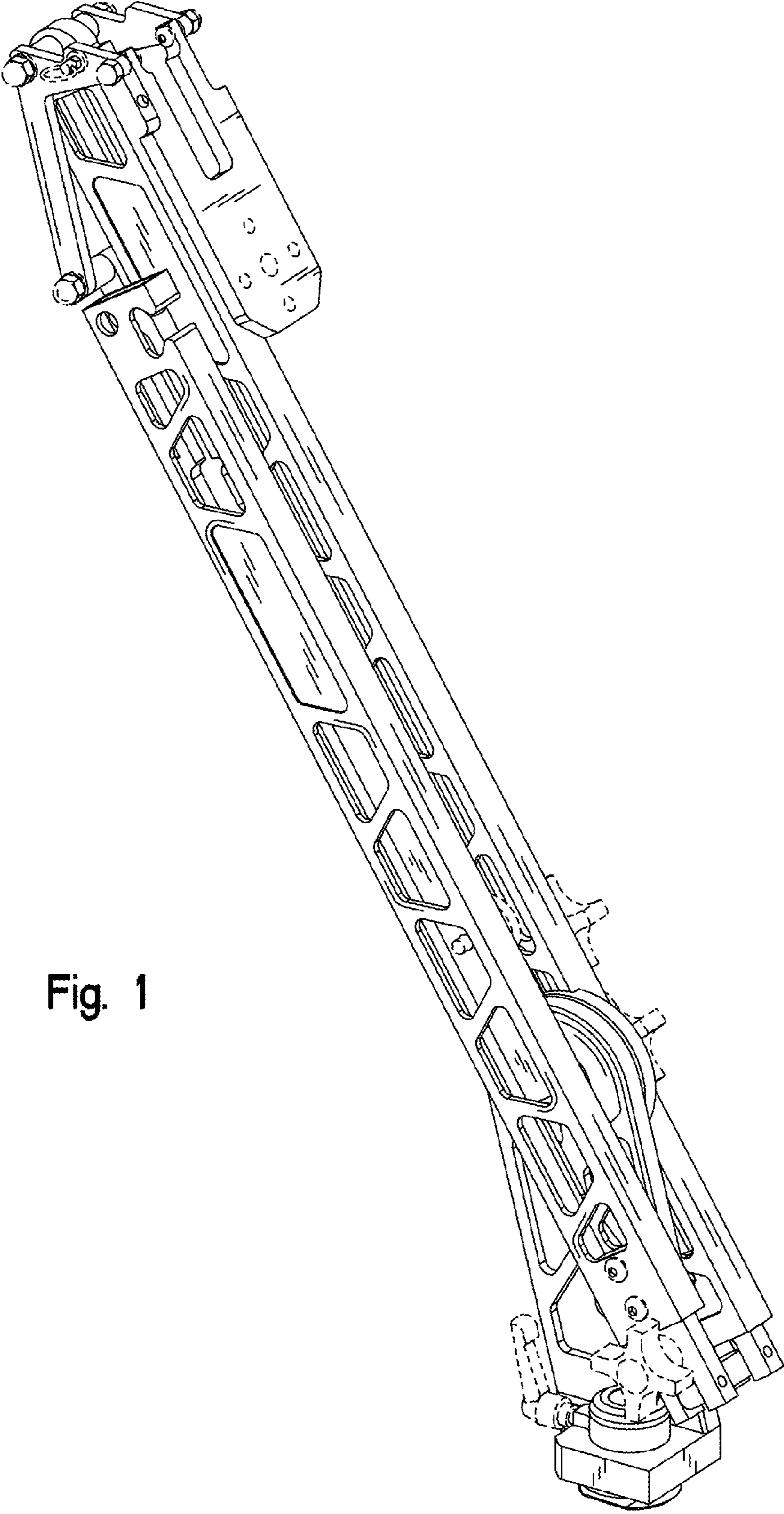


Fig. 1

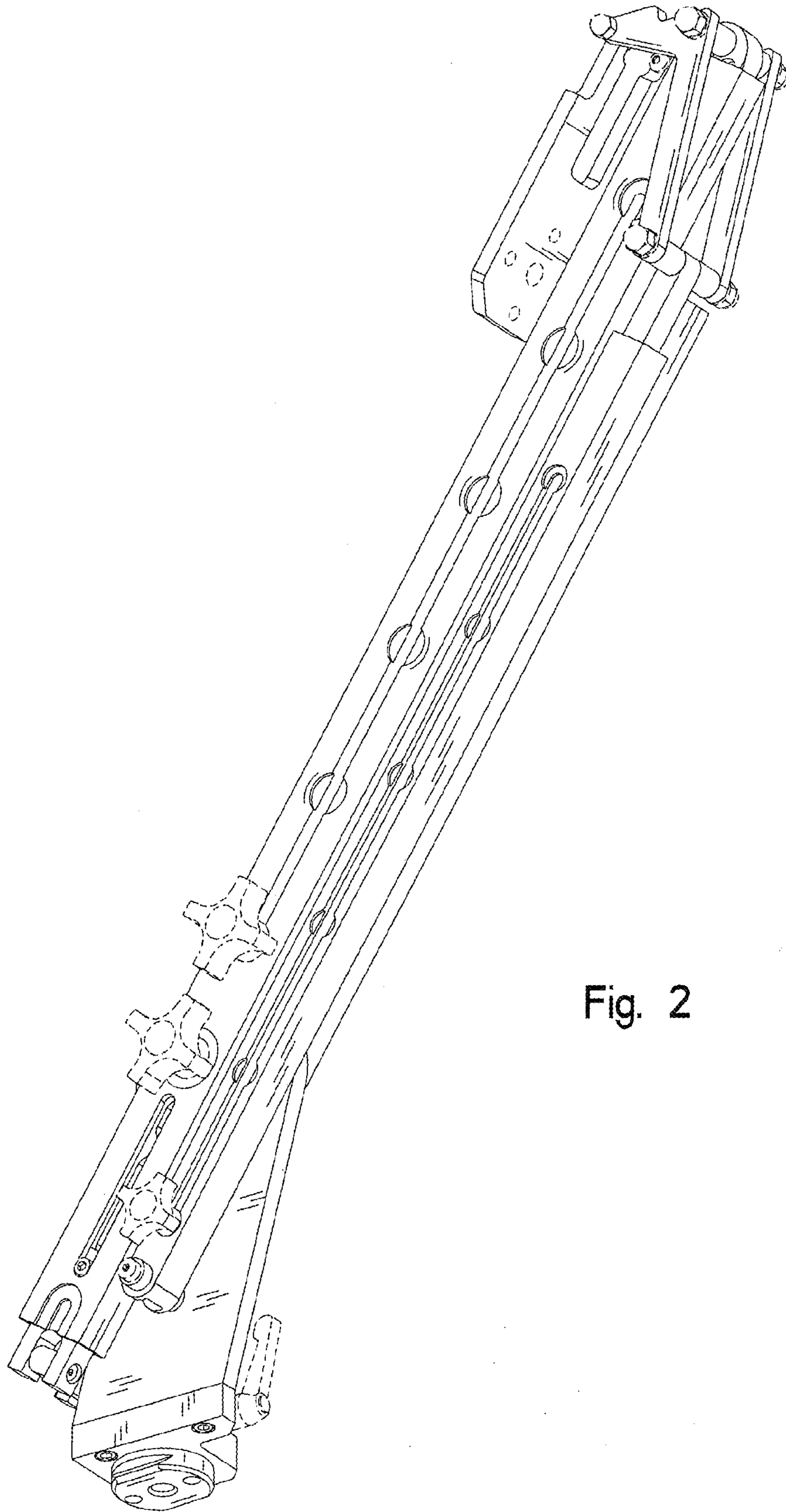


Fig. 2

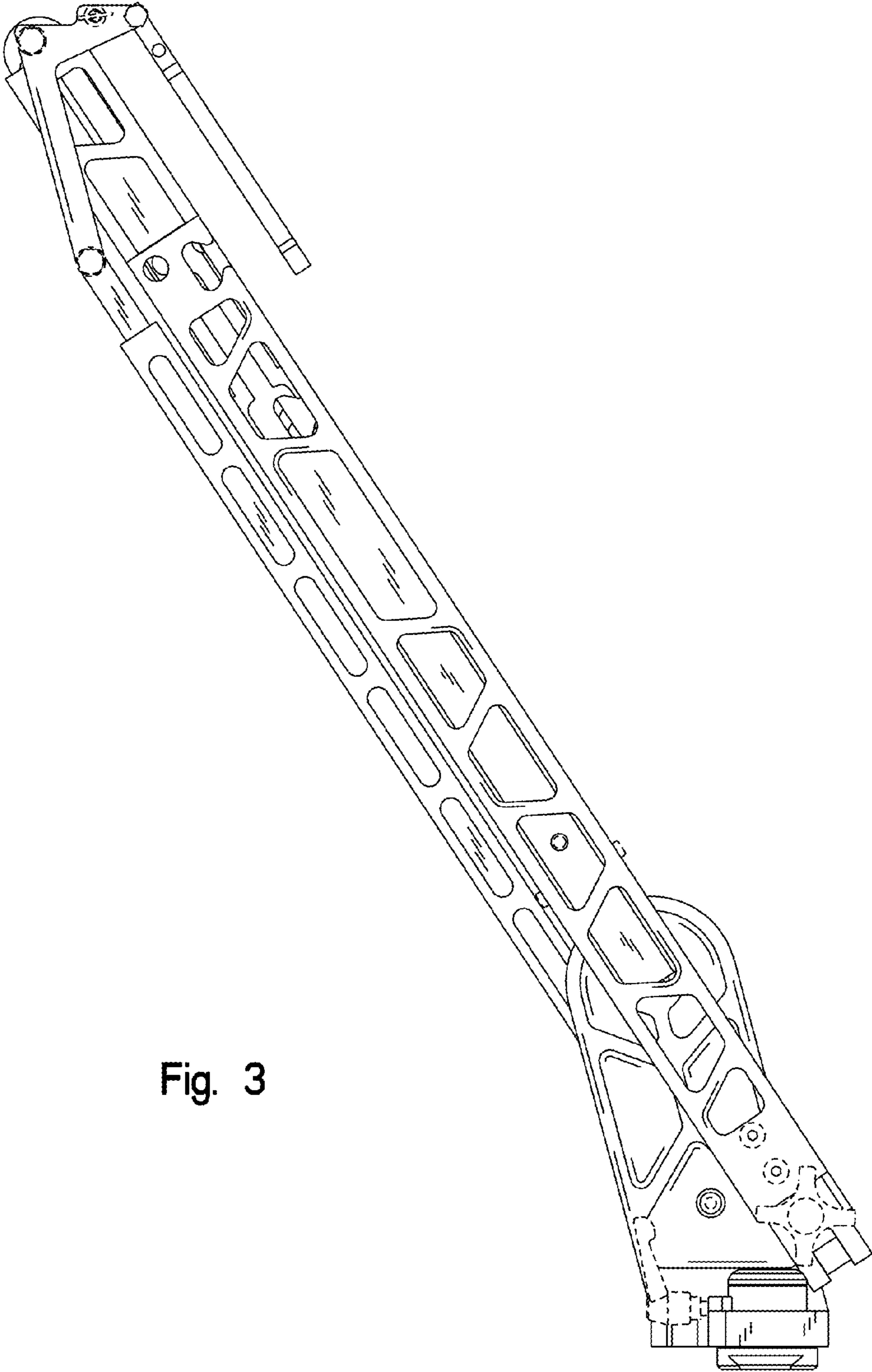


Fig. 3

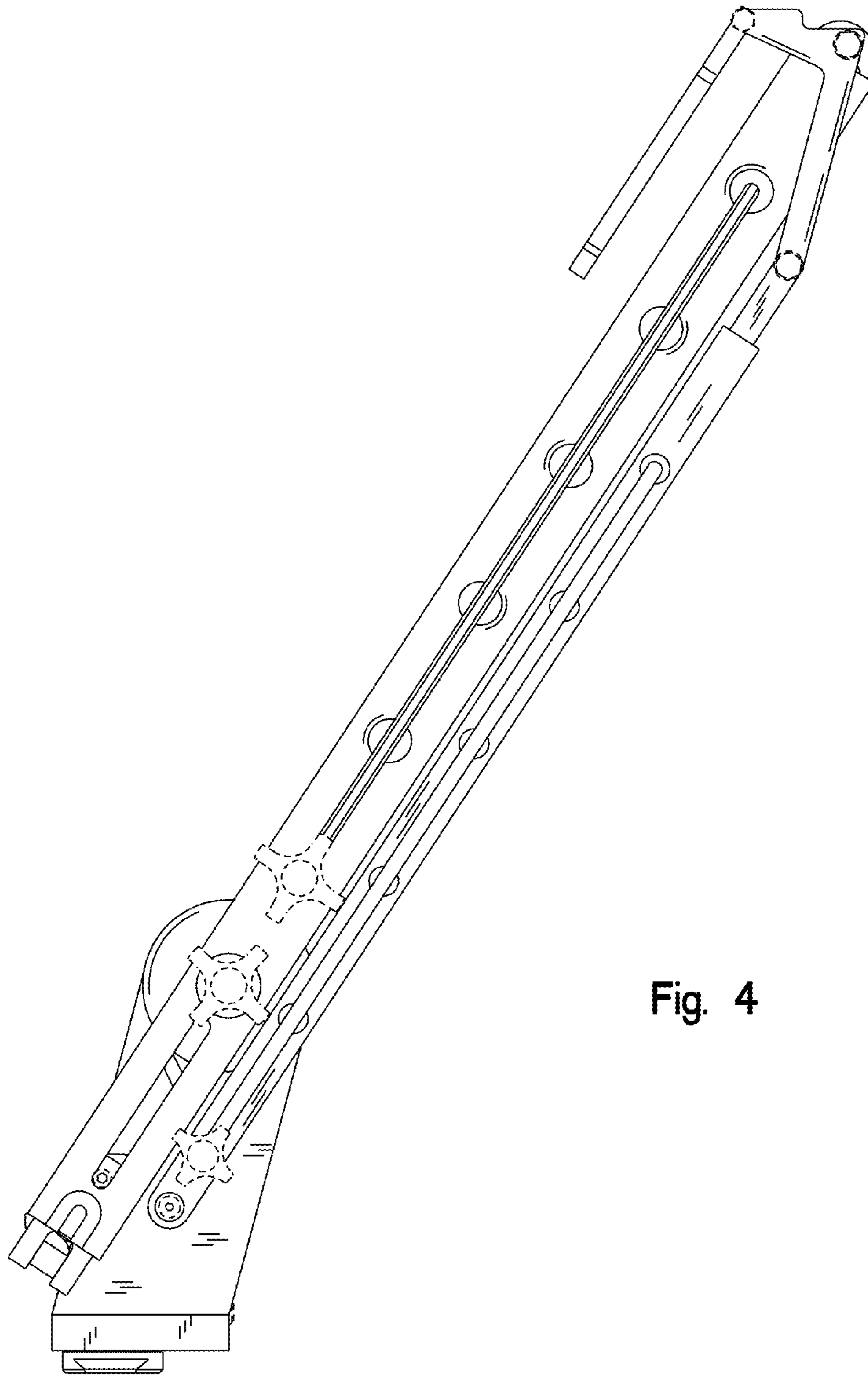


Fig. 4

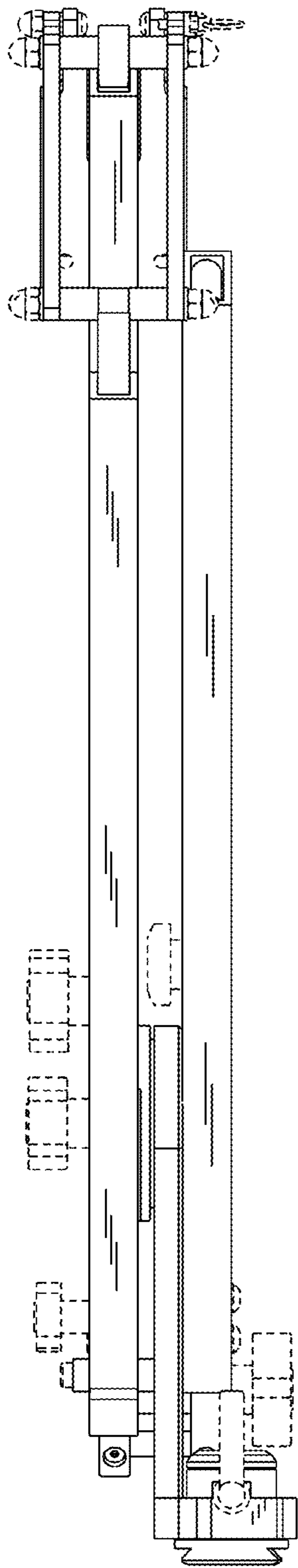


Fig. 5

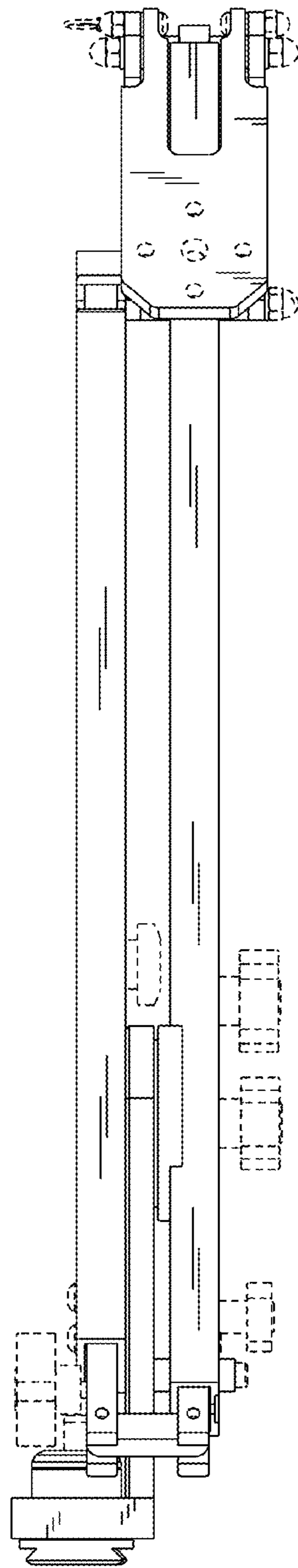


Fig. 6

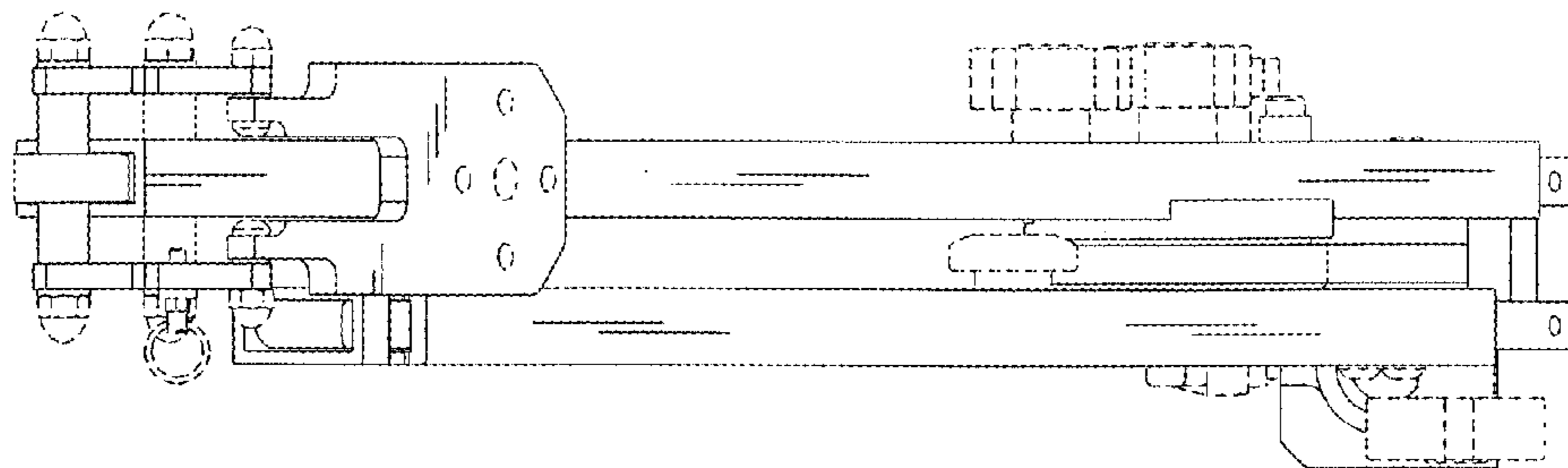


Fig. 7

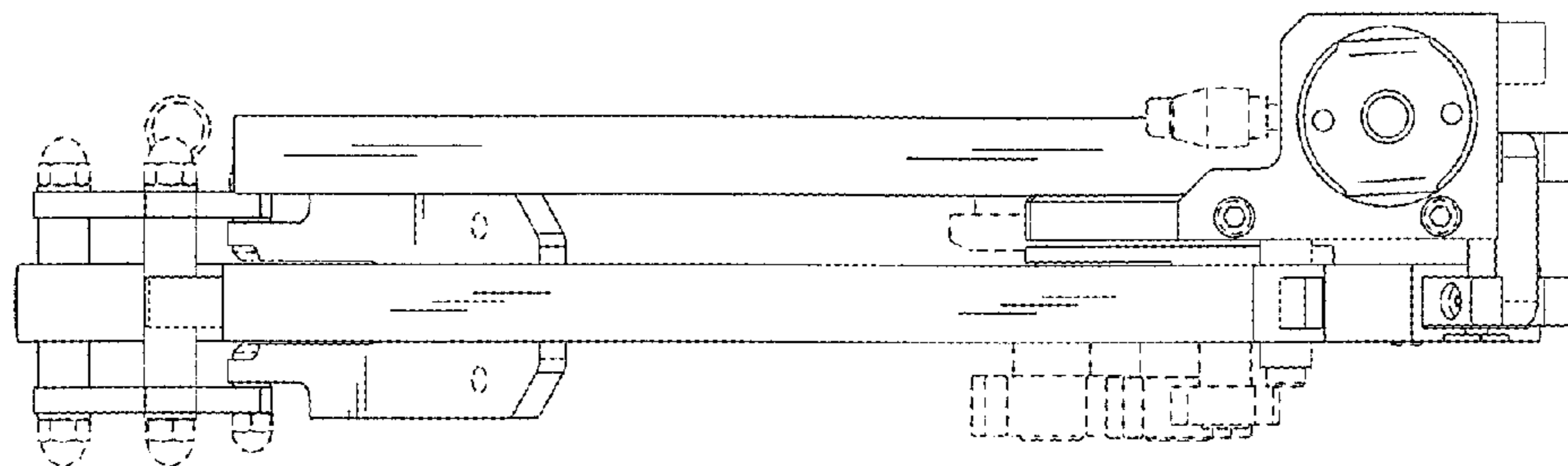


Fig. 8



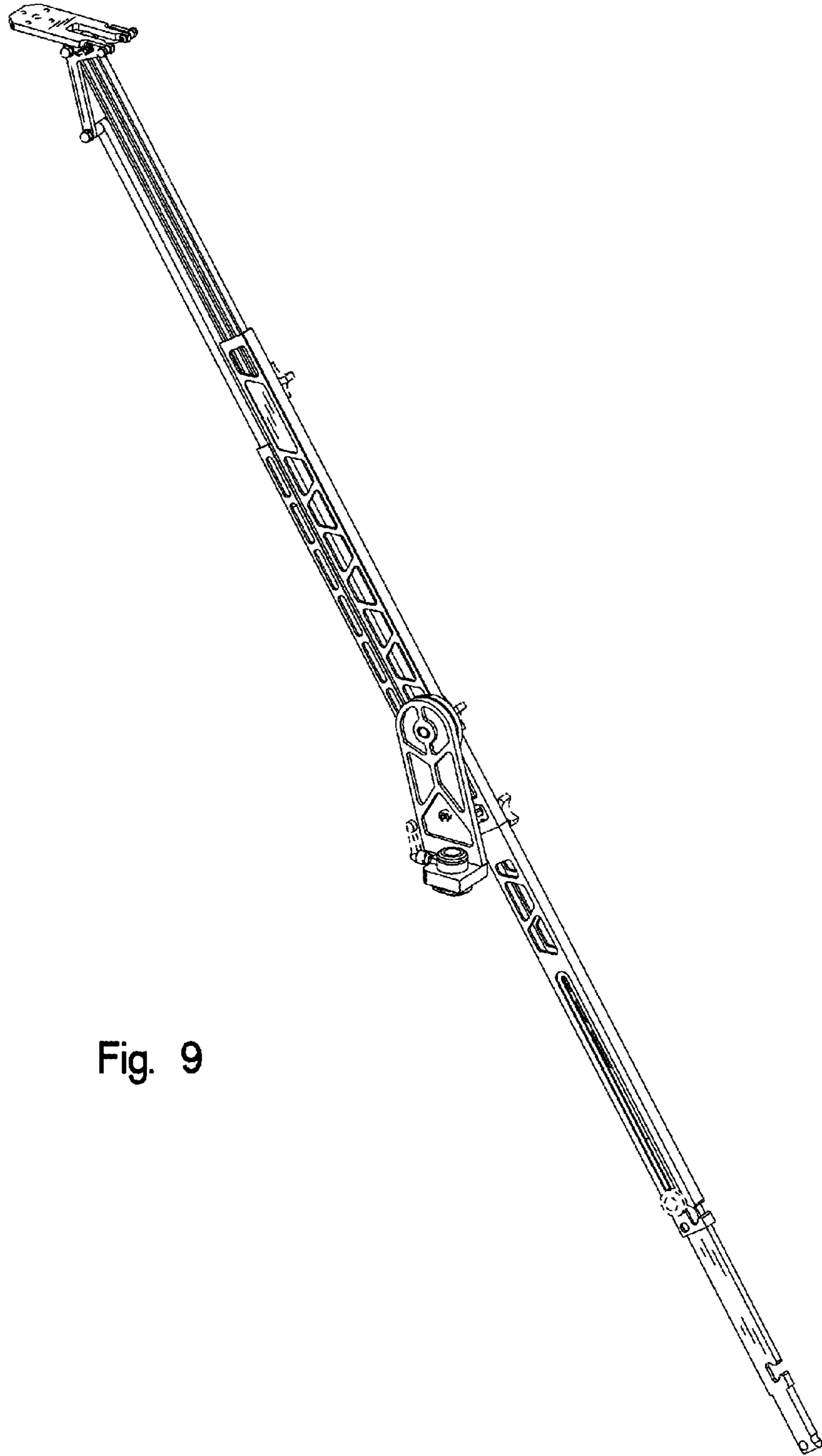


Fig. 9

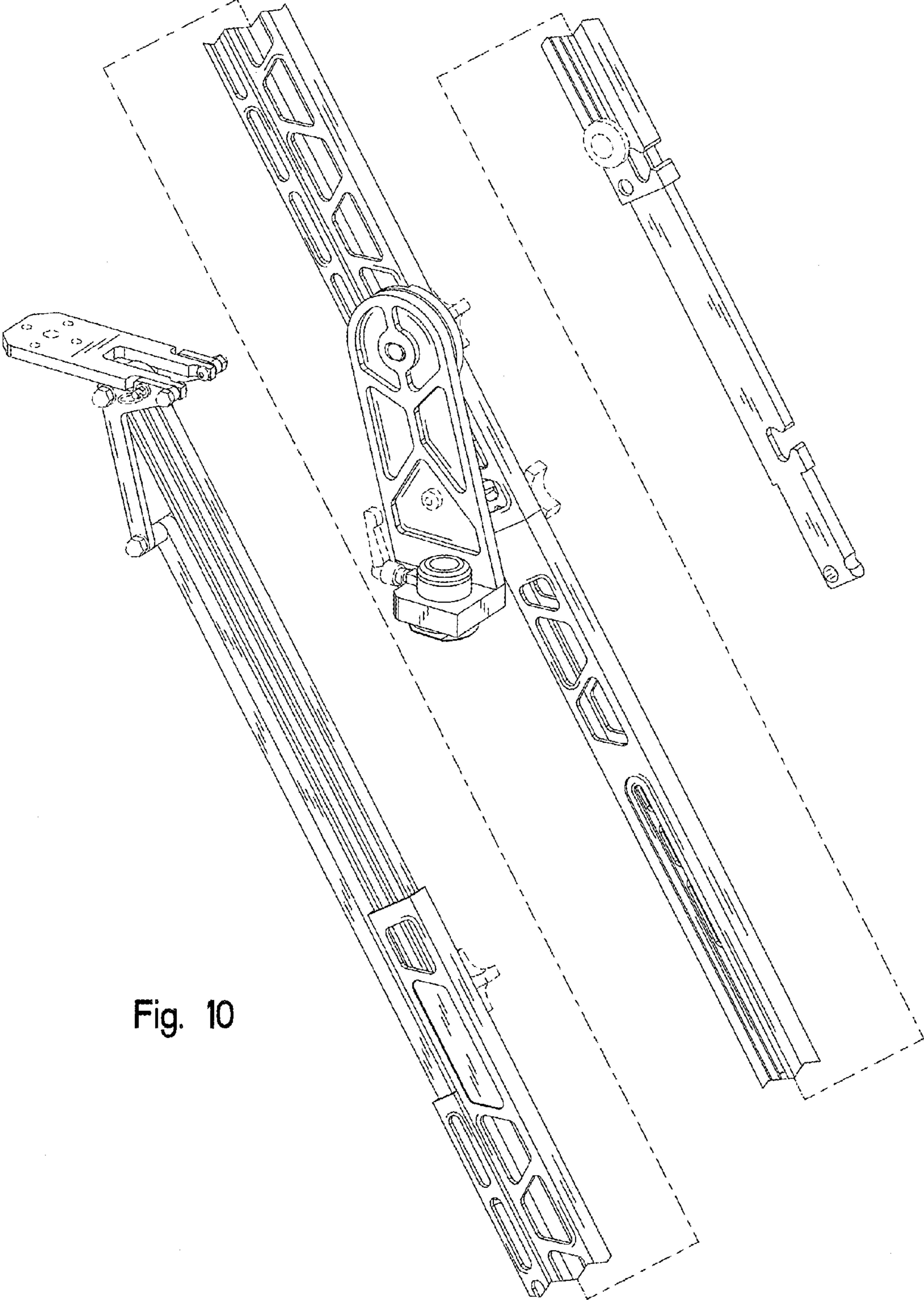


Fig. 10

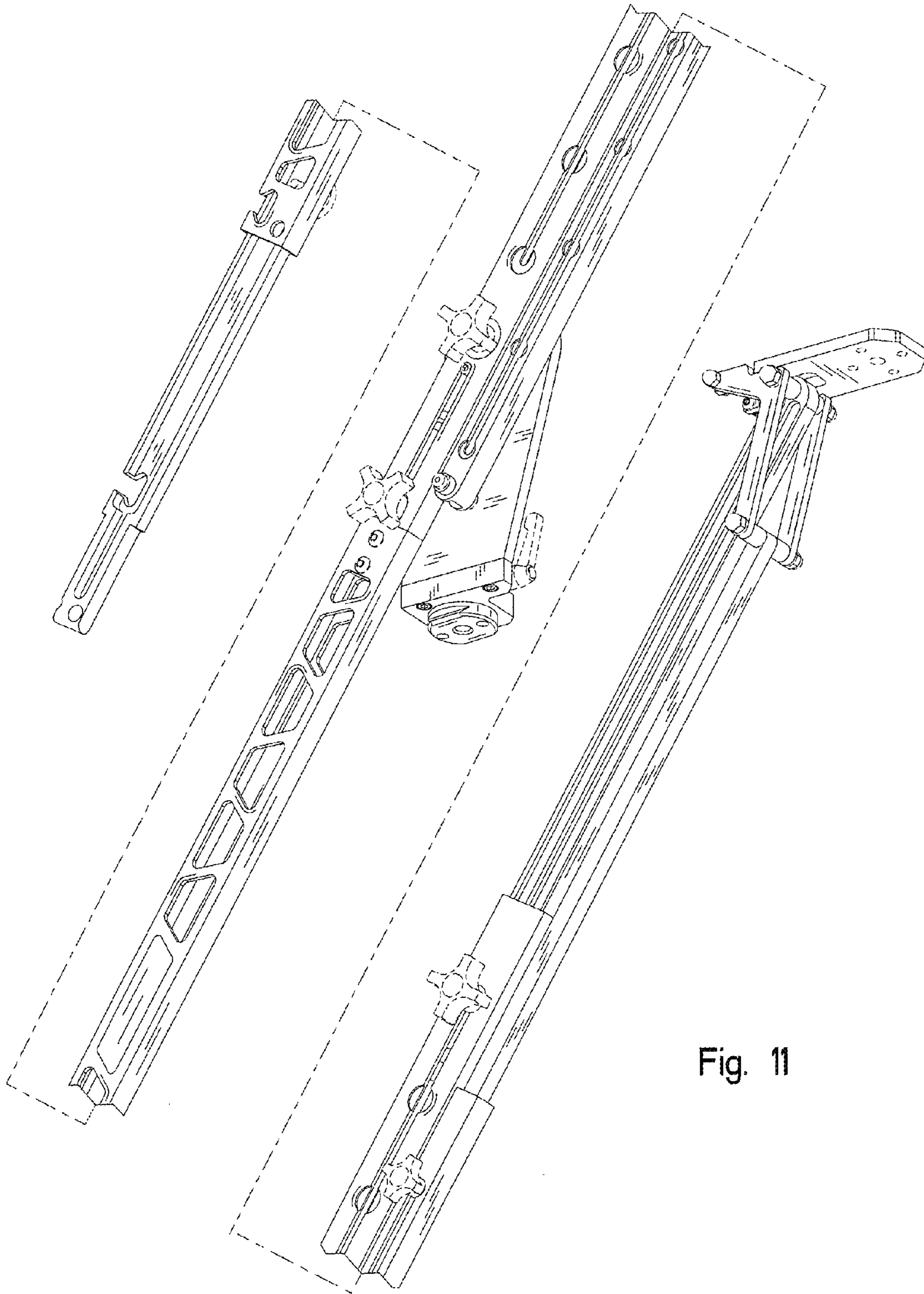


Fig. 11

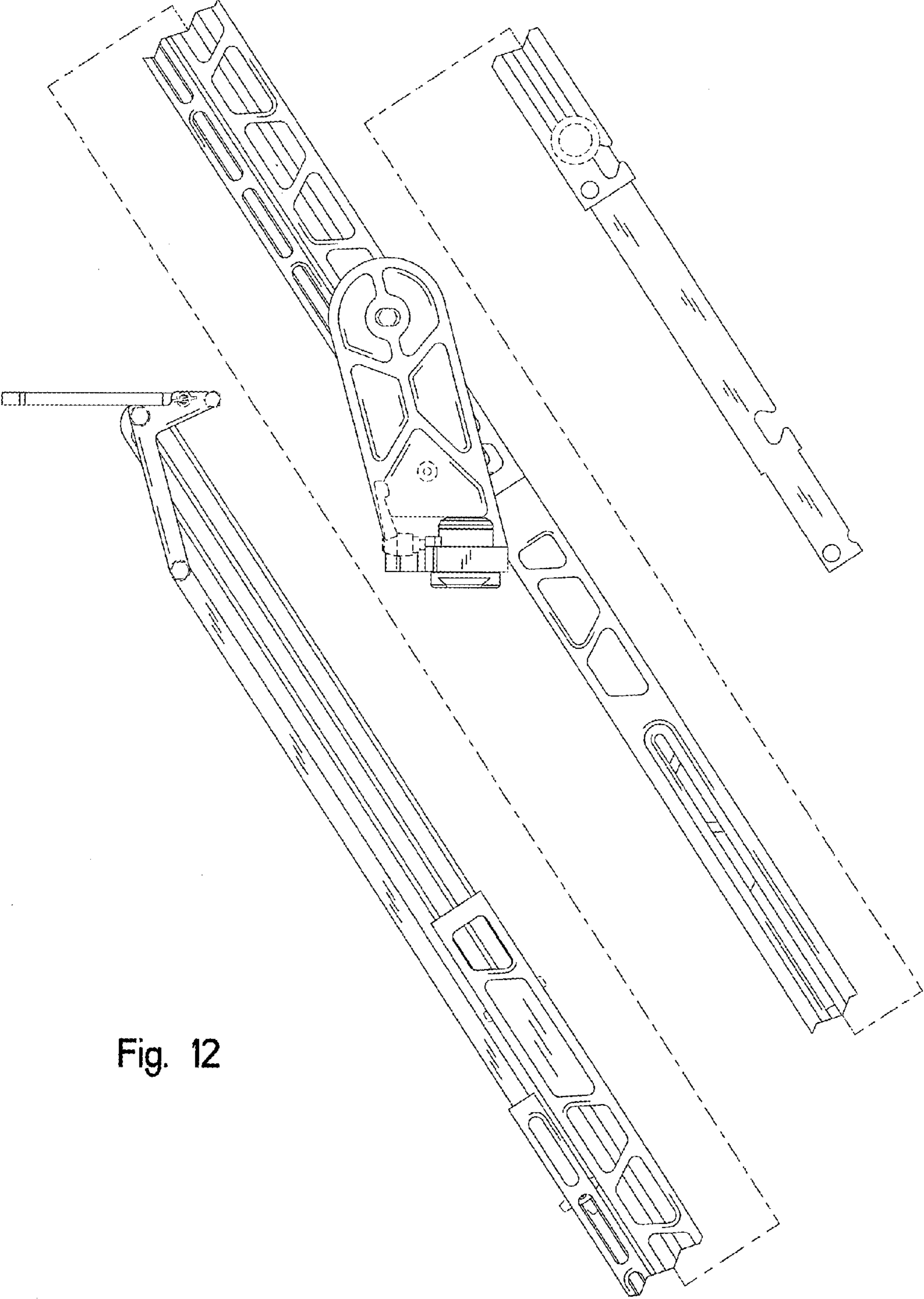


Fig. 12

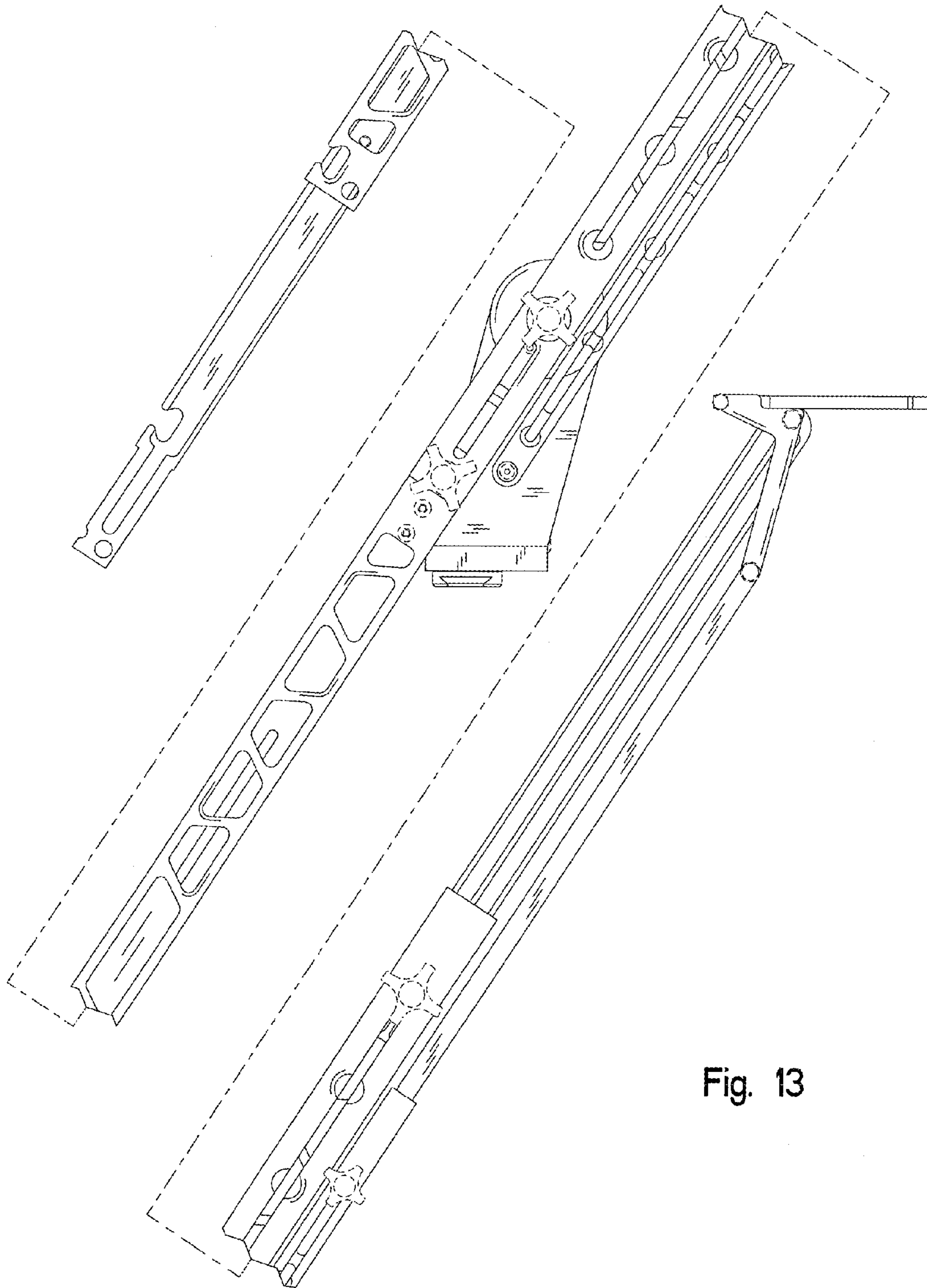


Fig. 13

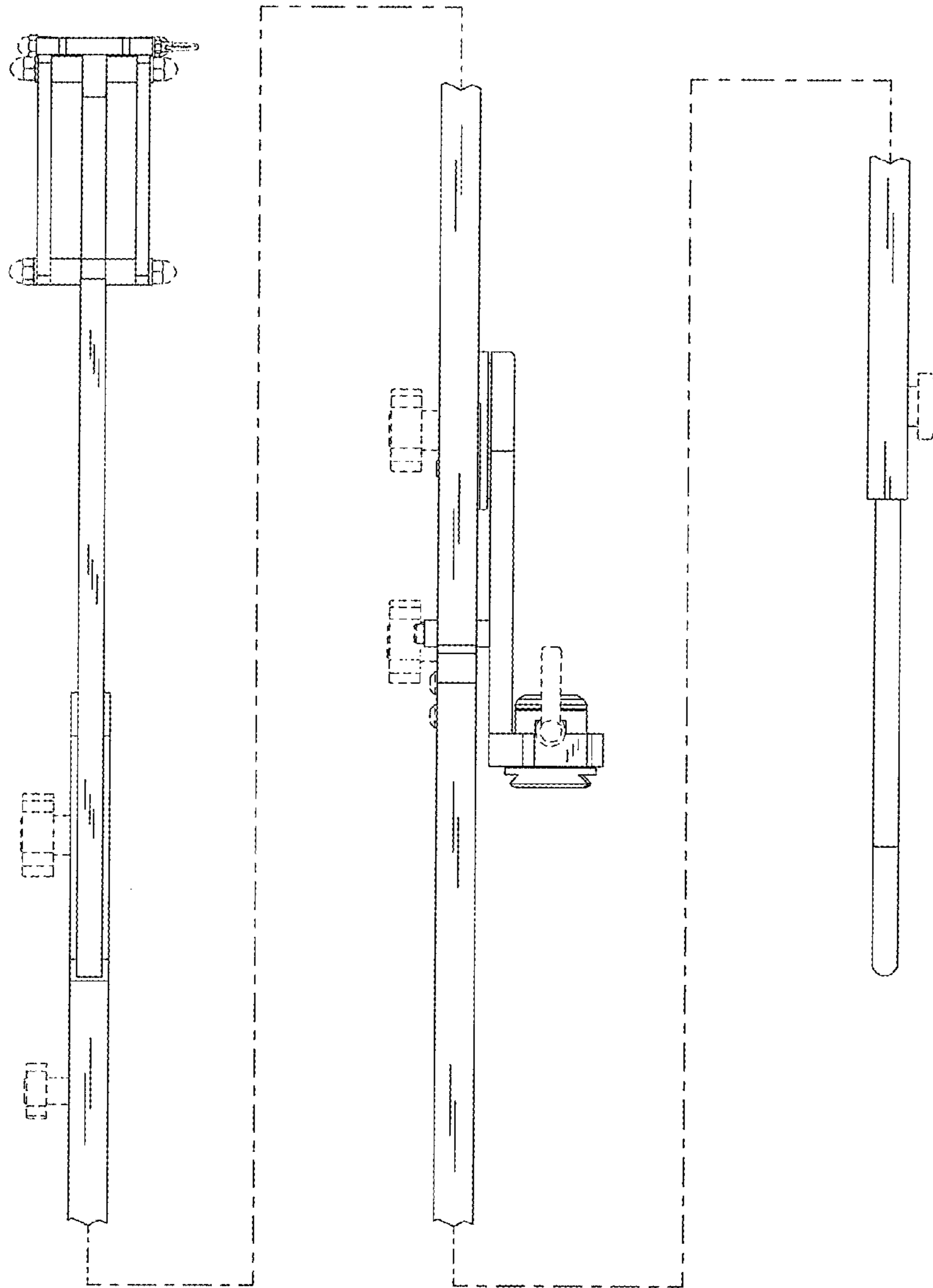


Fig. 14

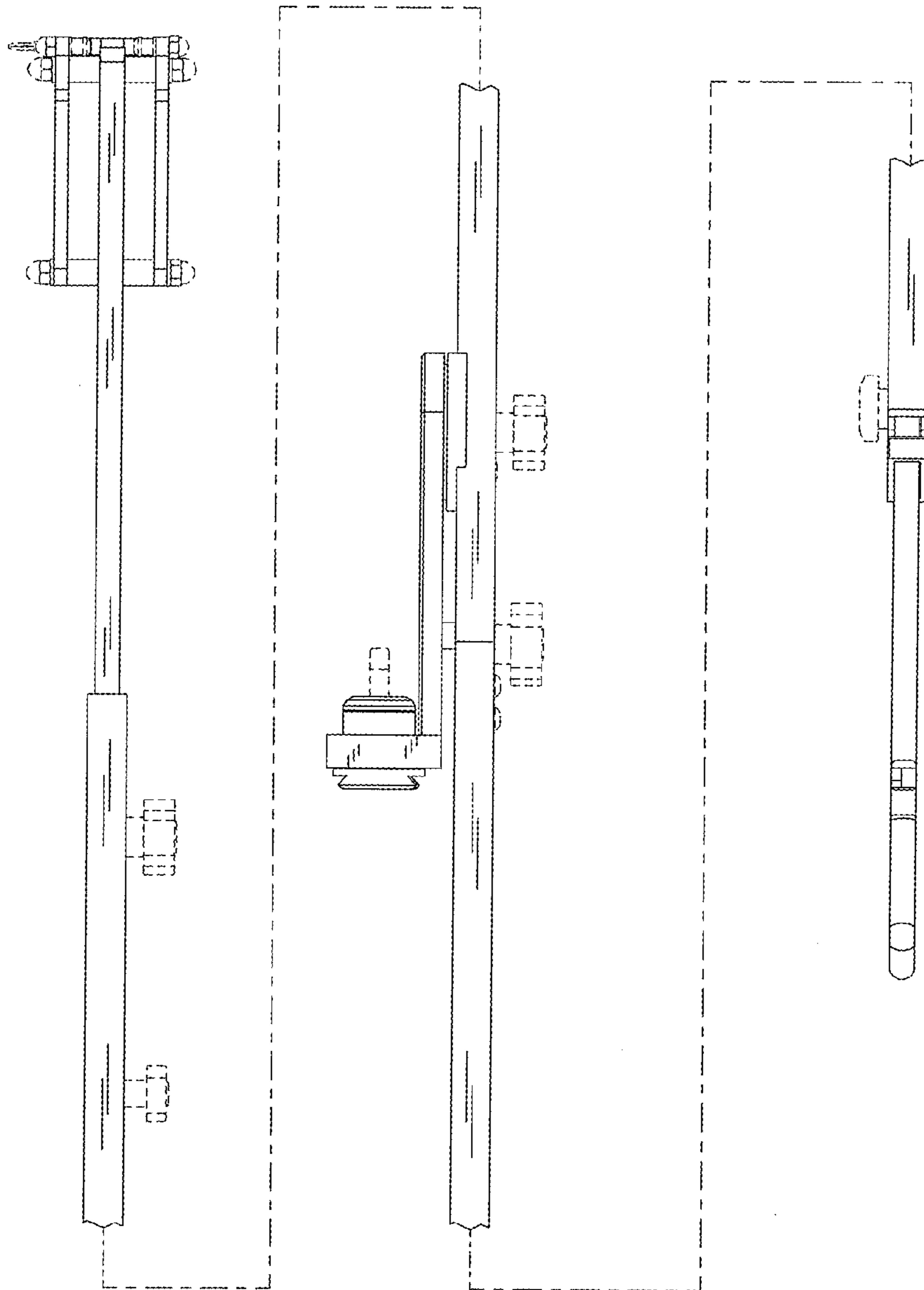


Fig. 15

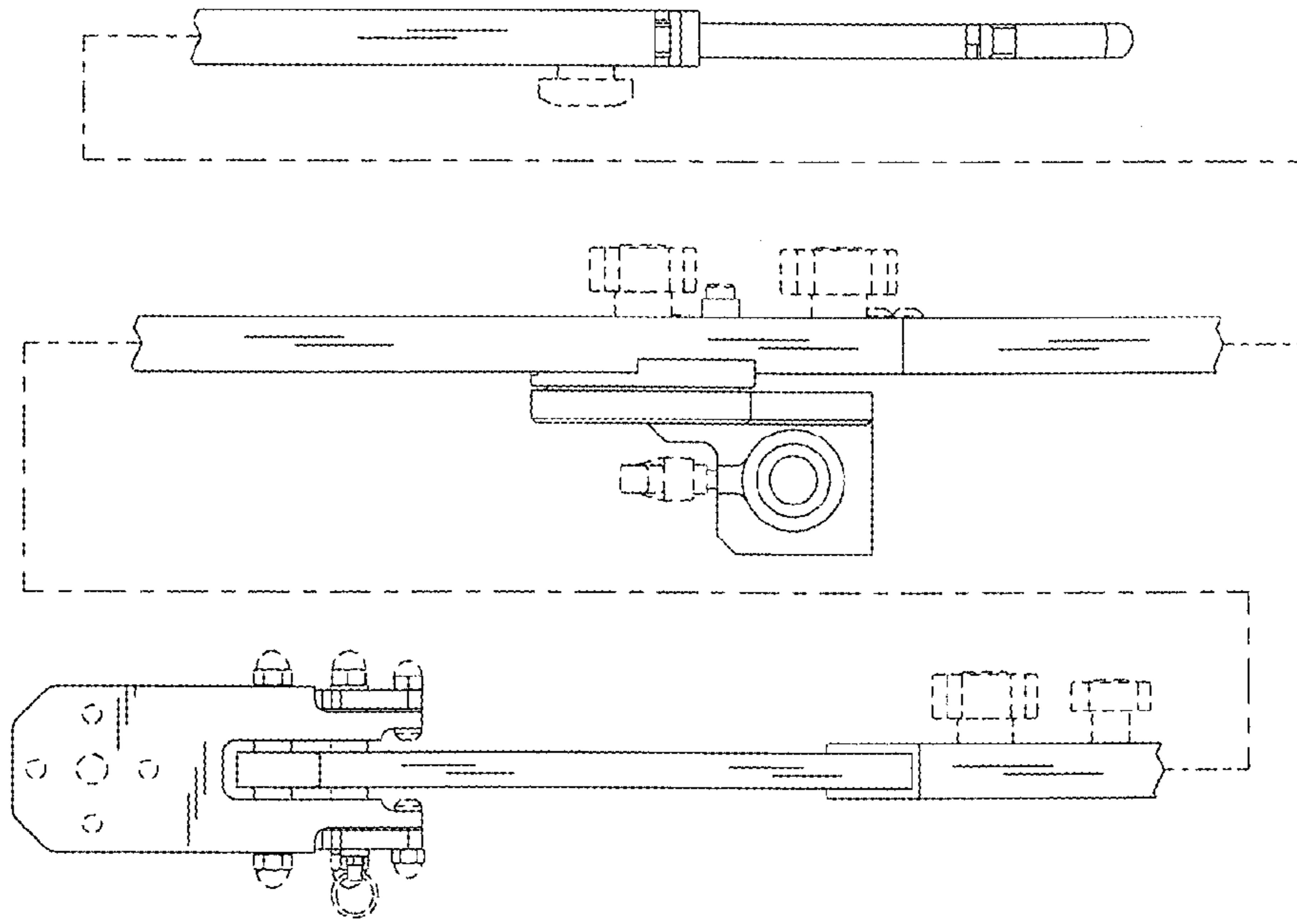


Fig. 16

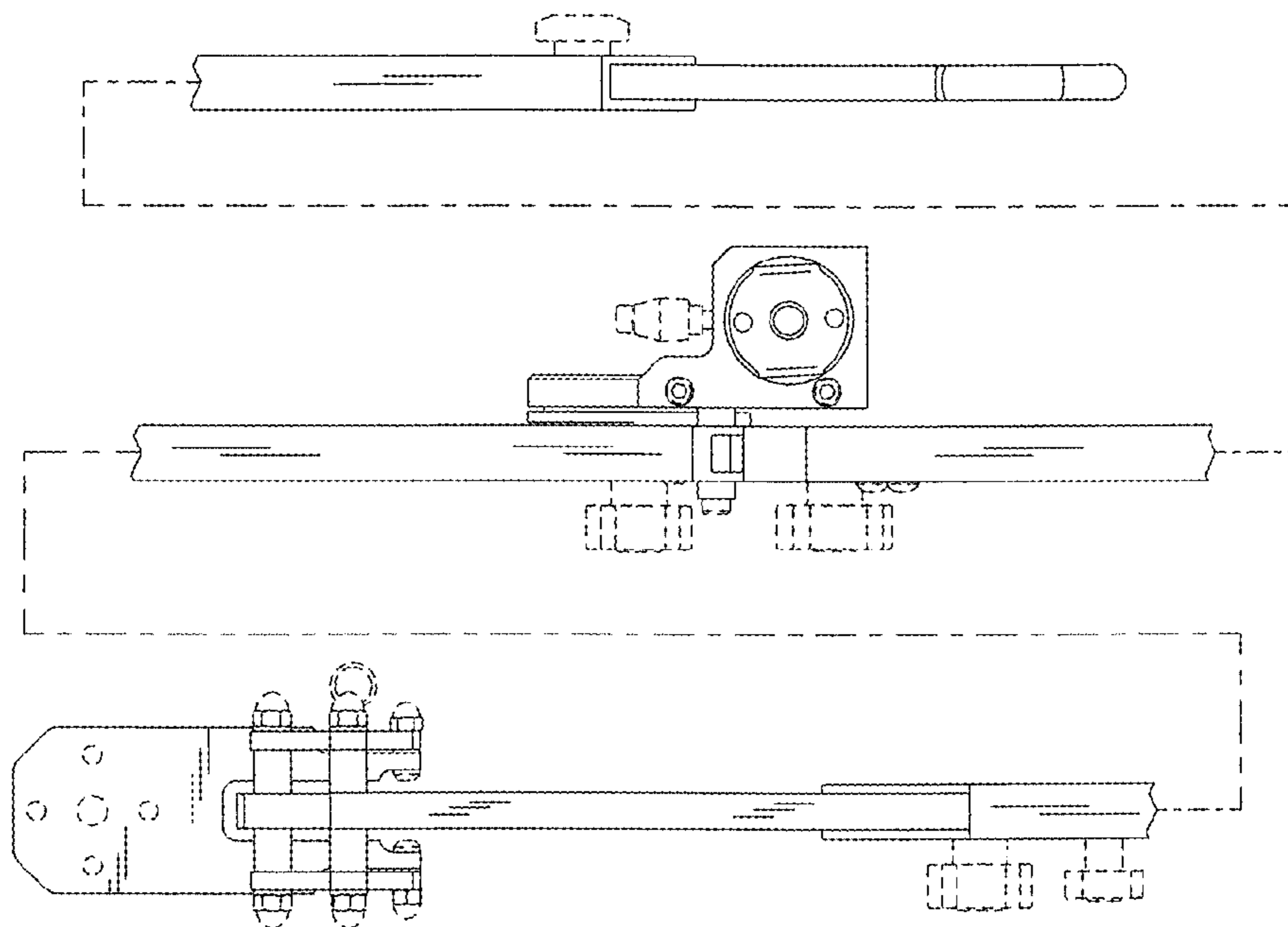


Fig. 17