



US00D748180S

(12) **United States Design Patent**  
**Scalisi**

(10) **Patent No.:** **US D748,180 S**  
(45) **Date of Patent:** **\*\* Jan. 26, 2016**

(54) **VIDEO CAMERA**

(71) Applicant: **SkyBell Technologies, Inc.**, Irvine, CA  
(US)

(72) Inventor: **Joseph Frank Scalisi**, Yorba Linda, CA  
(US)

(73) Assignee: **SkyBell Technologies, Inc.**, Irvine, CA  
(US)

(\*\*) Term: **15 Years**

(21) Appl. No.: **29/528,479**

(22) Filed: **May 28, 2015**

(51) **LOC (10) Cl.** ..... **16-01**

(52) **U.S. Cl.**  
USPC ..... **D16/203**

(58) **Field of Classification Search**  
USPC ..... D16/200, 202–206, 218, 219, 242;  
D10/106.2, 106.3, 106.5, 118.1;  
348/143, 148, 151, 373–376; 396/419,  
396/427, 535, 539–541  
CPC ..... G03B 17/02; G03B 19/04; G03B 17/56;  
G03B 17/04; G03B 15/03; H04N 5/2251;  
H04N 5/2252; H04N 5/2253; H04N 5/2254;  
H04N 7/181; H04N 7/183; H04N 7/18;  
G08B 13/1963; G08B 13/19619; G08B  
13/19632  
See application file for complete search history.

(56) **References Cited**

**U.S. PATENT DOCUMENTS**

D283,130 S 3/1986 Boenning  
D297,222 S 8/1988 Rauch  
D371,086 S 6/1996 Collins  
D381,638 S 7/1997 Kruse  
D404,673 S 1/1999 Gordon  
D422,521 S 4/2000 Morrow  
D442,617 S 5/2001 Ohmori

D455,767 S \* 4/2002 Tsang ..... D16/202  
D455,768 S \* 4/2002 Tsang ..... D16/202  
D480,741 S \* 10/2003 Berger ..... D16/202  
D500,751 S 1/2005 Yukikado  
D519,100 S 4/2006 Shioya  
D522,490 S 6/2006 Yukikado  
D525,963 S 8/2006 Yukikado  
7,113,578 B2 9/2006 Unger  
D531,160 S 10/2006 Yukikado  
D534,566 S \* 1/2007 Ishii ..... D14/168  
D537,095 S \* 2/2007 Alden ..... D16/202

(Continued)

**OTHER PUBLICATIONS**

MySkyBell.com (later SkyBell.com)—Downloaded on Nov. 18,  
2013 from <http://www.myskybell.com>.

(Continued)

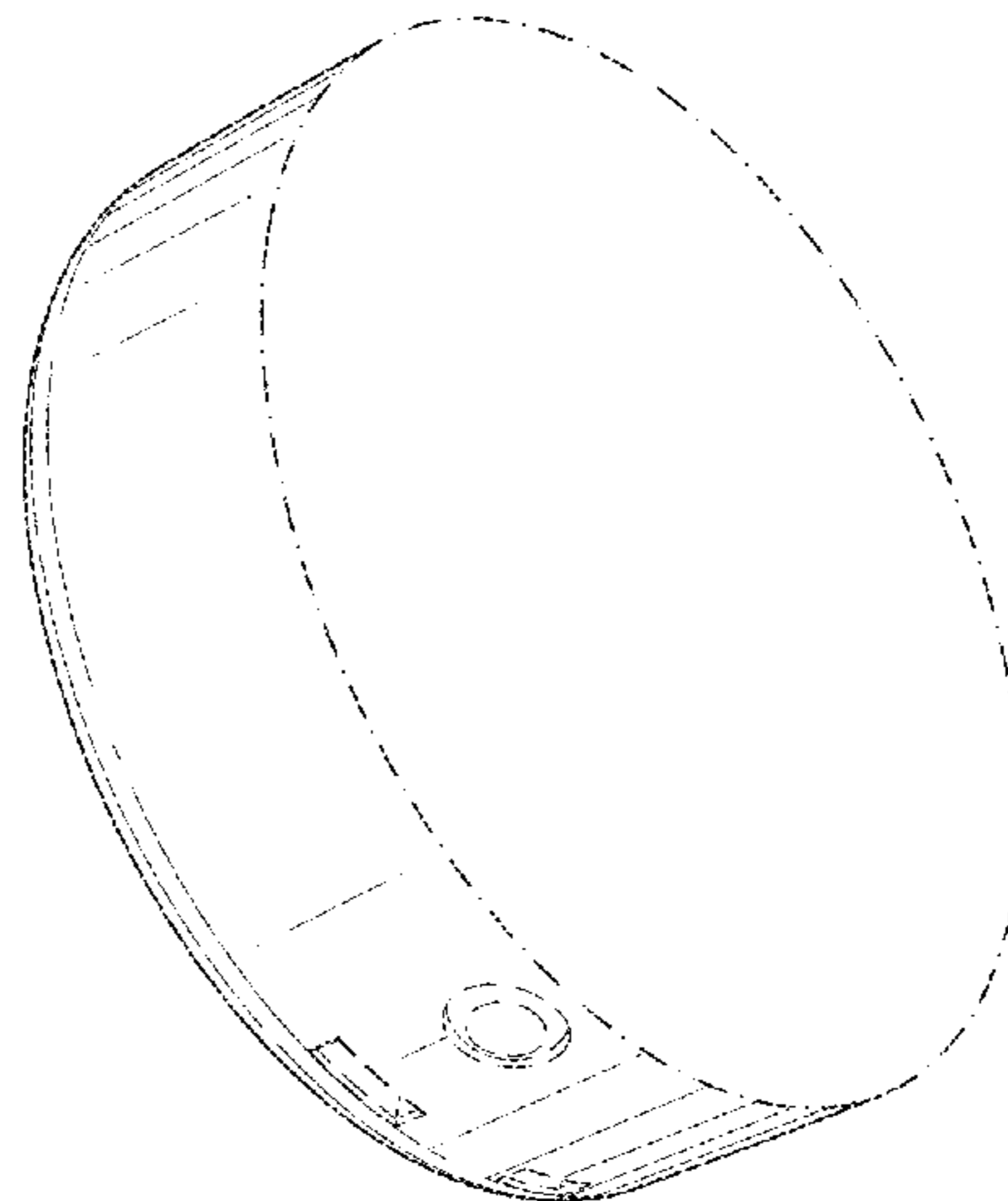
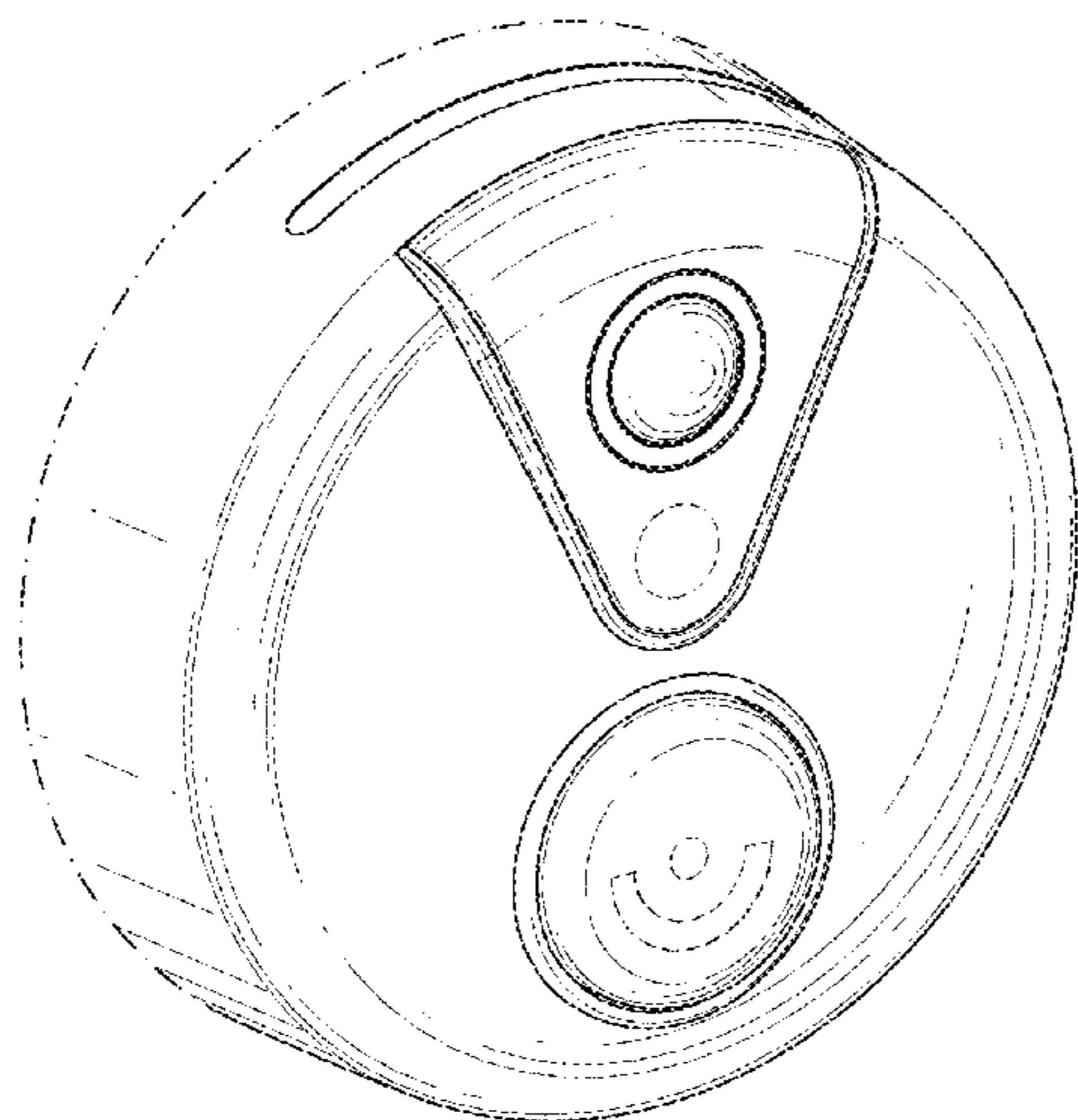
*Primary Examiner* — Adir Aronovich  
*Assistant Examiner* — Ramzi Almatrahi

(57) **CLAIM**  
The ornamental design for a video camera, as shown and  
described.

**DESCRIPTION**

FIG. 1 is a top, front and left side perspective view of a video  
camera embodying the new design;  
FIG. 2 is a bottom, rear and right side perspective view  
thereof;  
FIG. 3 is a front elevation view thereof;  
FIG. 4 is a rear elevation view thereof;  
FIG. 5 is a top plan view thereof;  
FIG. 6 is a bottom plan view thereof;  
FIG. 7 is a left side elevation view thereof; and,  
FIG. 8 is a right side elevation view thereof.  
The broken lines depict portions of a video camera in which  
the design is embodied and form no part of the claimed  
design. Additionally, the dash-dot-dash lines denote the  
boundary of the claim and form no part of the claimed design.

**1 Claim, 4 Drawing Sheets**



(56)

References Cited

U.S. PATENT DOCUMENTS

D562,306 S 2/2008 Jeong  
 D575,316 S \* 8/2008 Liu ..... D16/202  
 D577,301 S 9/2008 Johnson  
 D588,574 S 3/2009 Takahata  
 D595,260 S 6/2009 Takahata  
 D645,071 S 9/2011 Hinkel  
 D657,410 S 4/2012 Helaoui  
 D660,819 S 5/2012 Chen  
 D664,178 S 7/2012 Hinkel  
 D677,297 S \* 3/2013 Bart ..... D16/203  
 D679,309 S 4/2013 Park  
 D689,536 S 9/2013 Li  
 D692,847 S 11/2013 Barley  
 D694,305 S \* 11/2013 Katori ..... D16/203  
 D694,306 S 11/2013 Katori  
 8,780,201 B1 7/2014 Scalisi  
 D710,727 S 8/2014 Siminoff  
 D710,728 S 8/2014 Siminoff  
 D711,275 S 8/2014 Scalisi  
 D719,205 S \* 12/2014 Matsumoto ..... D16/202

D719,994 S 12/2014 Wang  
 D721,755 S 1/2015 Ahman  
 D727,769 S 4/2015 Scalisi  
 D729,678 S 5/2015 Scalisi  
 D729,859 S 5/2015 Shin  
 9,058,738 B1 6/2015 Scalisi  
 2013/0045763 A1 2/2013 Ruiz  
 2014/0125754 A1 5/2014 Haywood  
 2015/0022618 A1 1/2015 Siminoff  
 2015/0022620 A1 1/2015 Siminoff  
 2015/0049191 A1 2/2015 Scalisi

OTHER PUBLICATIONS

DefenDoor by Glate LLC—Downloaded on Dec. 11, 2014 from <https://www.kickstarter.com/projects/85455040/defendoor-a-home-security-system-that-syncs-with-y>.  
 EyeTalk—Downloaded on May 24, 2013 from <http://www.revolutionaryconceptsinc.com/forhome.html>.  
 August Smart Lock—Downloaded on Oct. 10, 2014 from [www.august.com](http://www.august.com).

\* cited by examiner

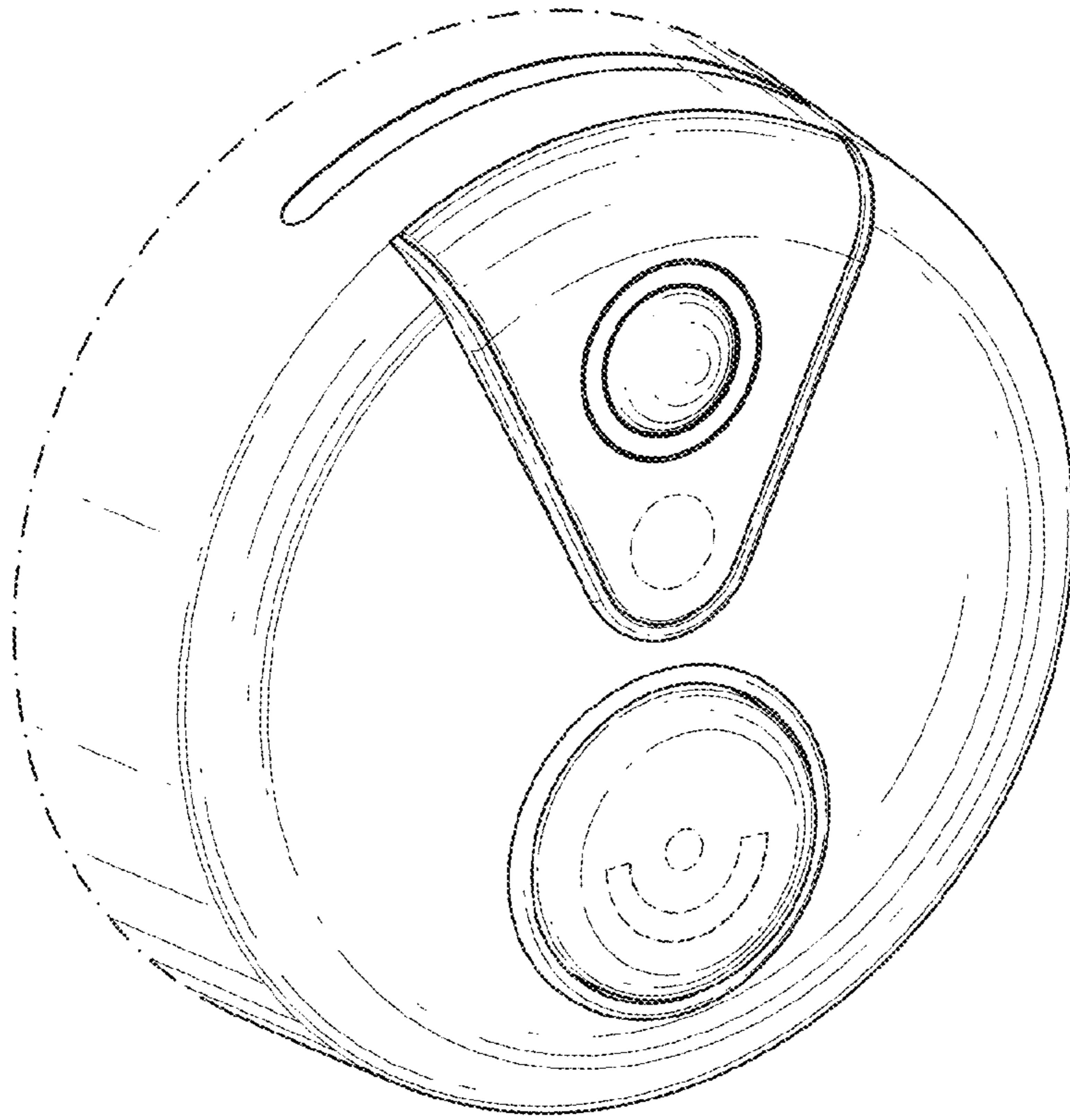


FIG. 1

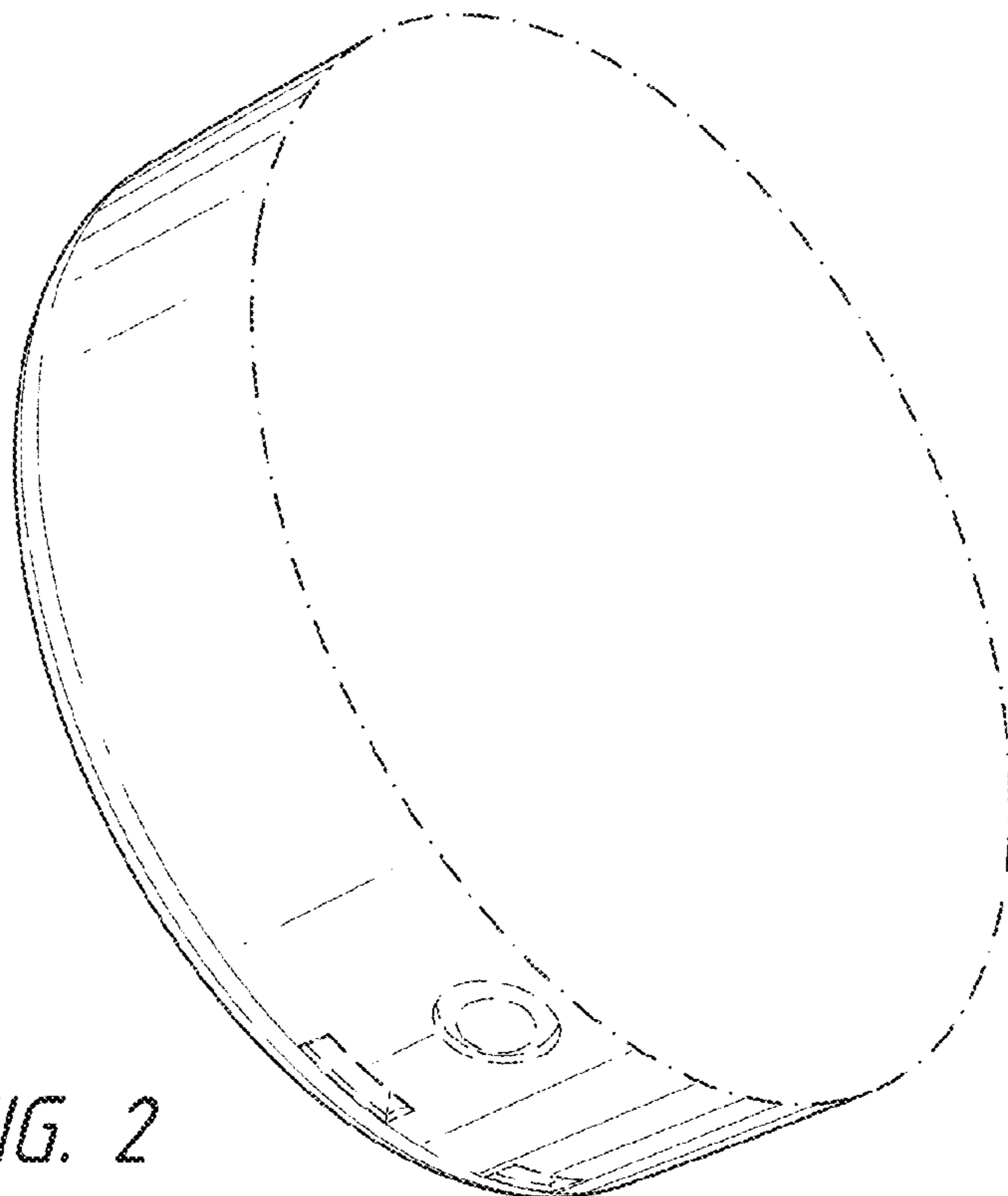


FIG. 2

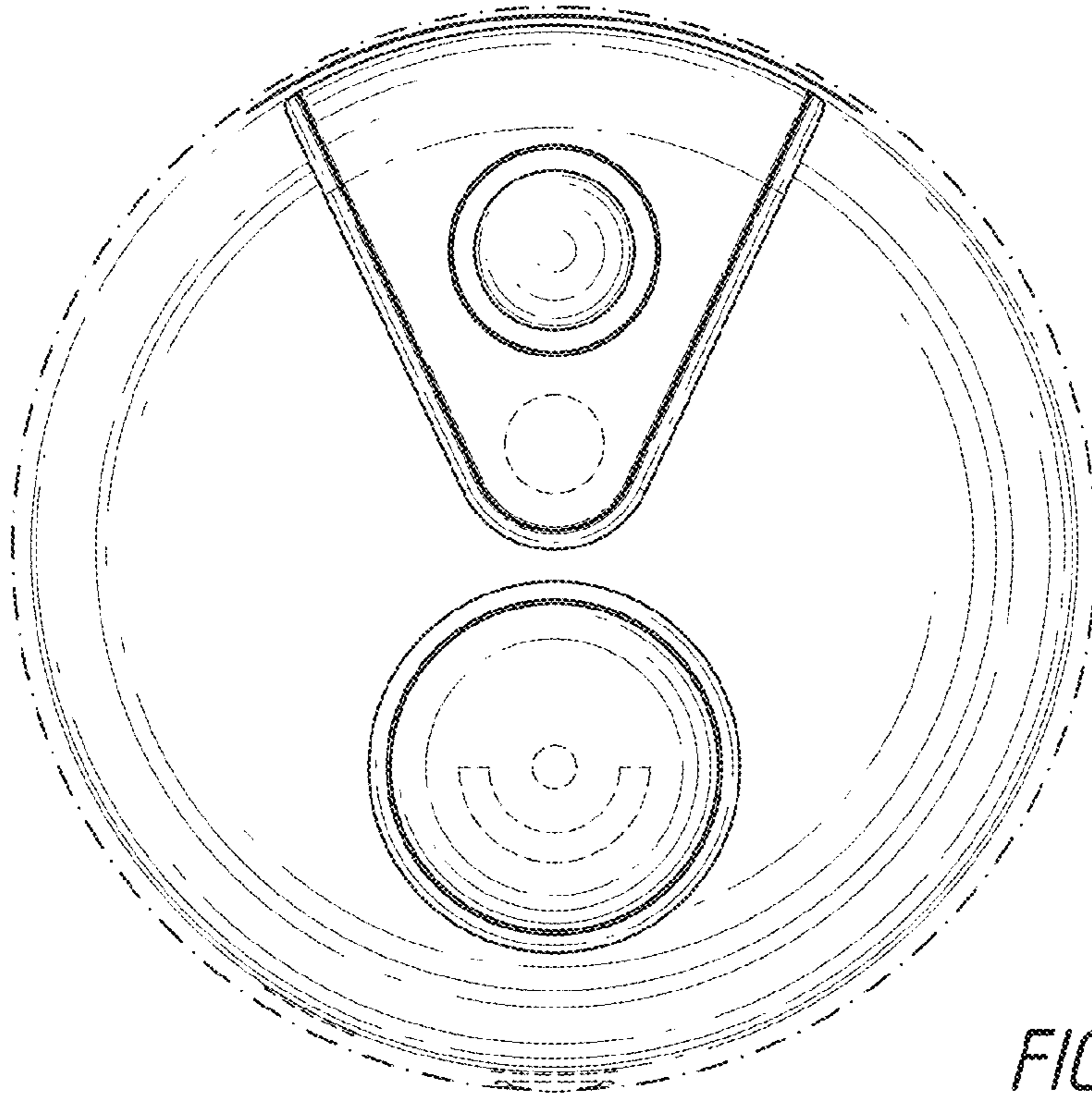


FIG. 3

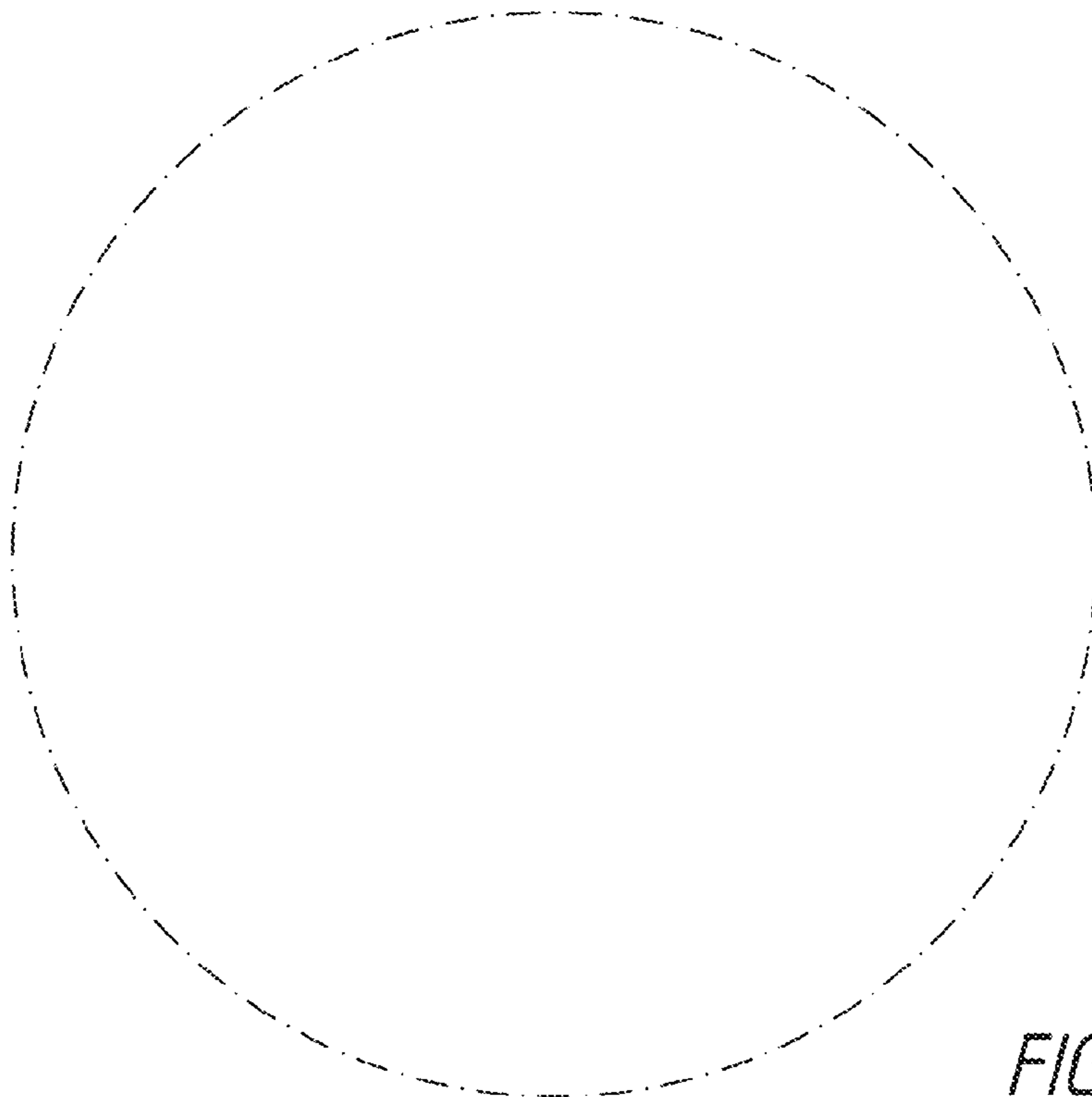


FIG. 4

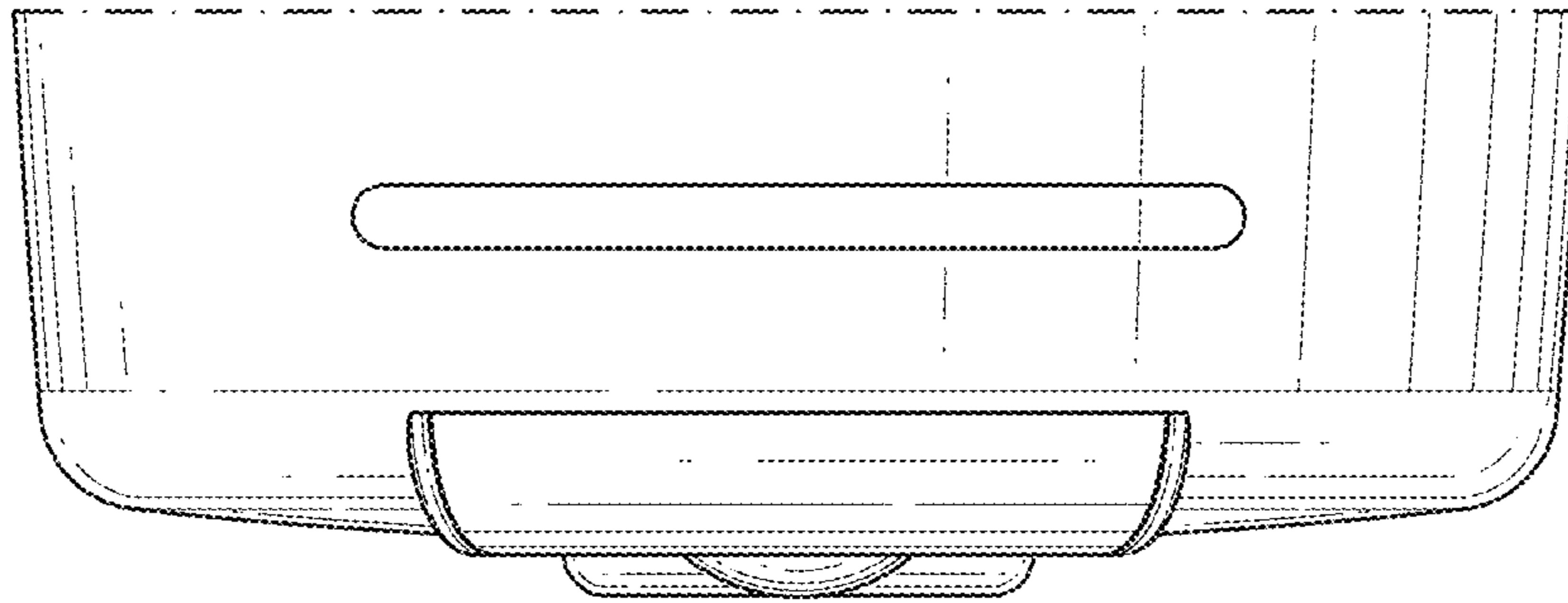


FIG. 5

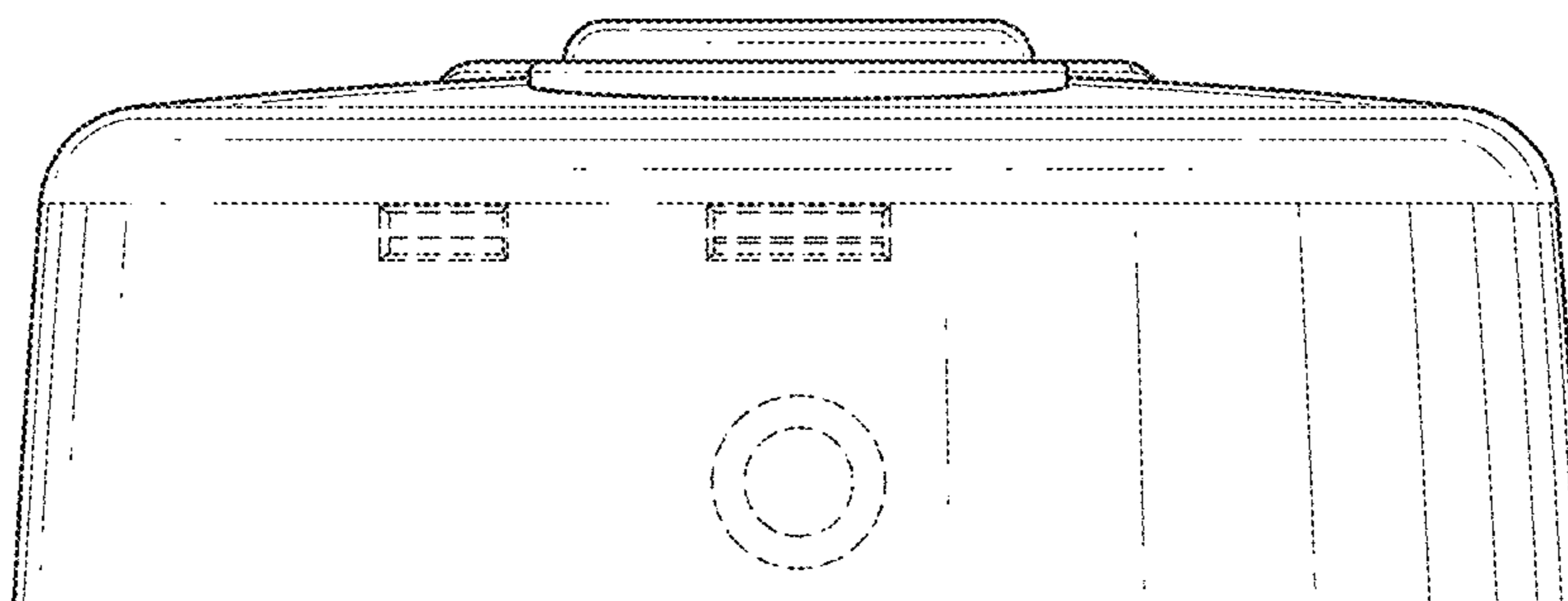


FIG. 6

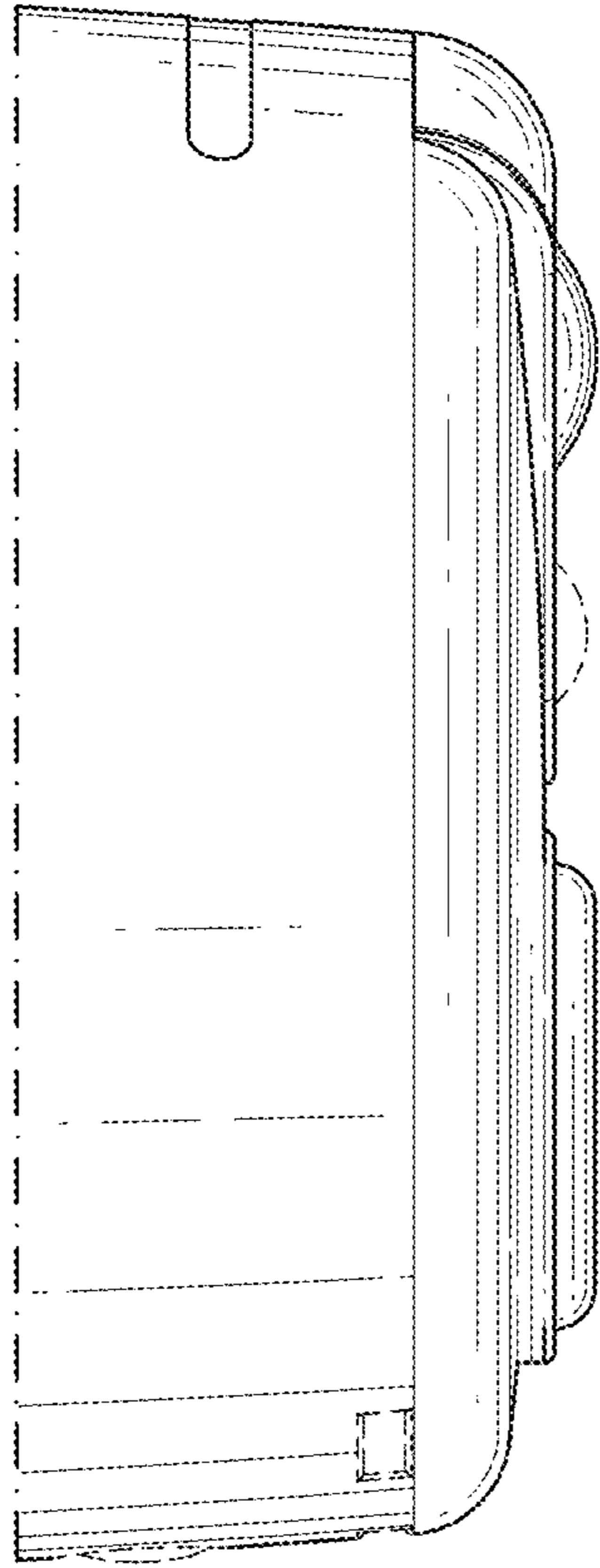


FIG. 7

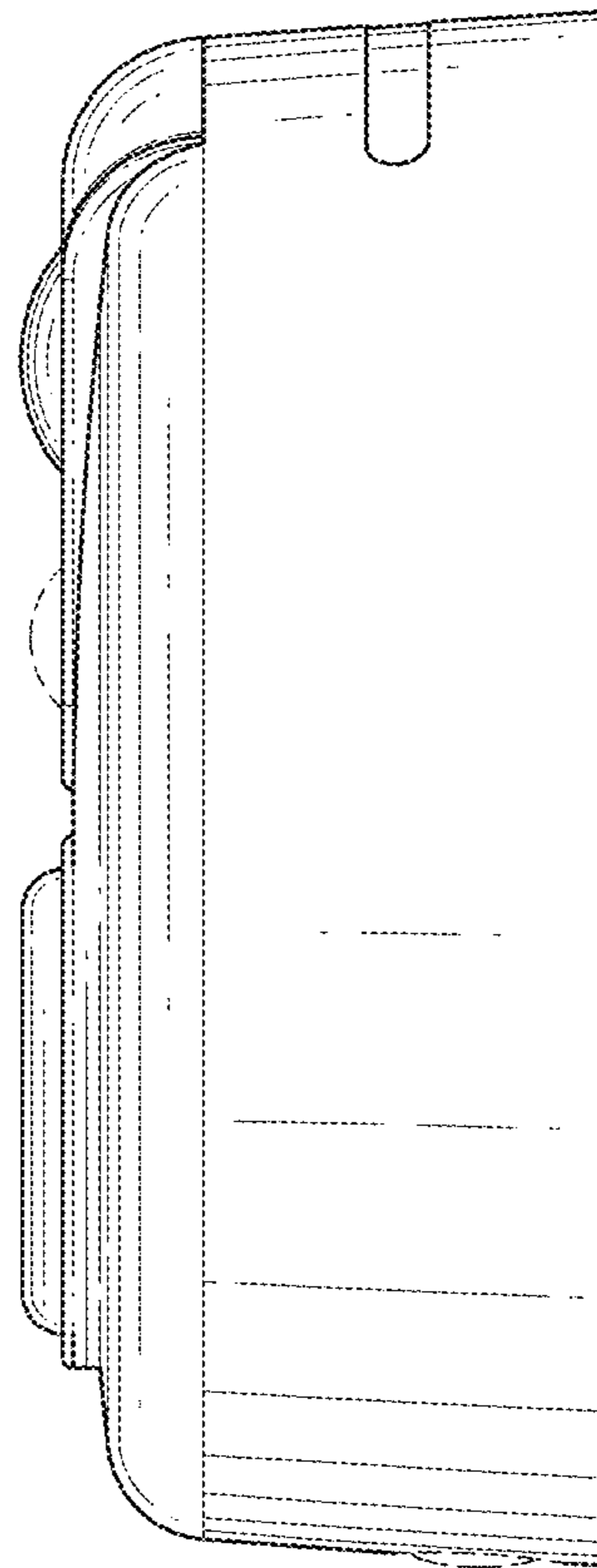


FIG. 8