



US00D748178S

(12) **United States Design Patent**
Scalisi

(10) **Patent No.:** **US D748,178 S**
(45) **Date of Patent:** **** Jan. 26, 2016**

(54) **VIDEO CAMERA**

(71) Applicant: **SkyBell Technologies, Inc.**, Irvine, CA
(US)

(72) Inventor: **Joseph Frank Scalisi**, Yorba Linda, CA
(US)

(73) Assignee: **SkyBell Technologies, Inc.**, Irvine, CA
(US)

(**) Term: **14 Years**

(21) Appl. No.: **29/517,774**

(22) Filed: **Feb. 17, 2015**

(51) **LOC (10) Cl.** **16-01**

(52) **U.S. Cl.**

USPC **D16/203**; D10/118.2

(58) **Field of Classification Search**

USPC D10/106.1, 106.2, 106.3, 106.4, 106.5,
D10/118, 118.1, 118.2; D16/134, 200, 202,
D16/203, 204, 208, 218, 219; 348/373-376;
396/427, 529, 535, 540, 541

CPC G03B 17/00; G03B 17/02; G03B 17/04;
G03B 17/14; H04N 5/2251; H04N 5/2252;
H04N 5/2253; H04N 5/2254

See application file for complete search history.

(56) **References Cited**

U.S. PATENT DOCUMENTS

D225,379 S	*	12/1972	Gallagher	D10/106.5
D283,130 S		3/1986	Boenning		
D297,222 S		8/1988	Rauch		
D371,086 S		6/1996	Collins		
D381,638 S		7/1997	Kruse		
D404,673 S		1/1999	Gordon		
D422,521 S		4/2000	Morrow		
D442,617 S		5/2001	Ohmori		
D455,768 S	*	4/2002	Tsang	D16/202
D500,751 S		1/2005	Yukikado		

D519,100 S	4/2006	Shioya
D522,490 S	6/2006	Yukikado
D525,963 S	8/2006	Yukikado
7,113,578 B2	9/2006	Unger
D531,160 S	10/2006	Yukikado
D562,306 S	2/2008	Jeong
D577,301 S	9/2008	Johnson
D588,574 S	3/2009	Takahata
D595,260 S	6/2009	Takahata
D645,071 S	9/2011	Hinkel
D657,410 S	4/2012	Helaoui
D660,819 S	5/2012	Chen
D664,178 S	7/2012	Hinkel

(Continued)

OTHER PUBLICATIONS

MySkyBell.com (later SkyBell.com)—Downloaded on Nov. 18, 2013 from <http://www.myskybell.com>.

(Continued)

Primary Examiner — Adir Aronovich

(57) **CLAIM**

The ornamental design for a video camera, as shown and described.

DESCRIPTION

FIG. 1 is a front and left side perspective view of a video camera embodying my new design;

FIG. 2 is a rear and right side perspective view thereof.

FIG. 3 is a front elevation view thereof.

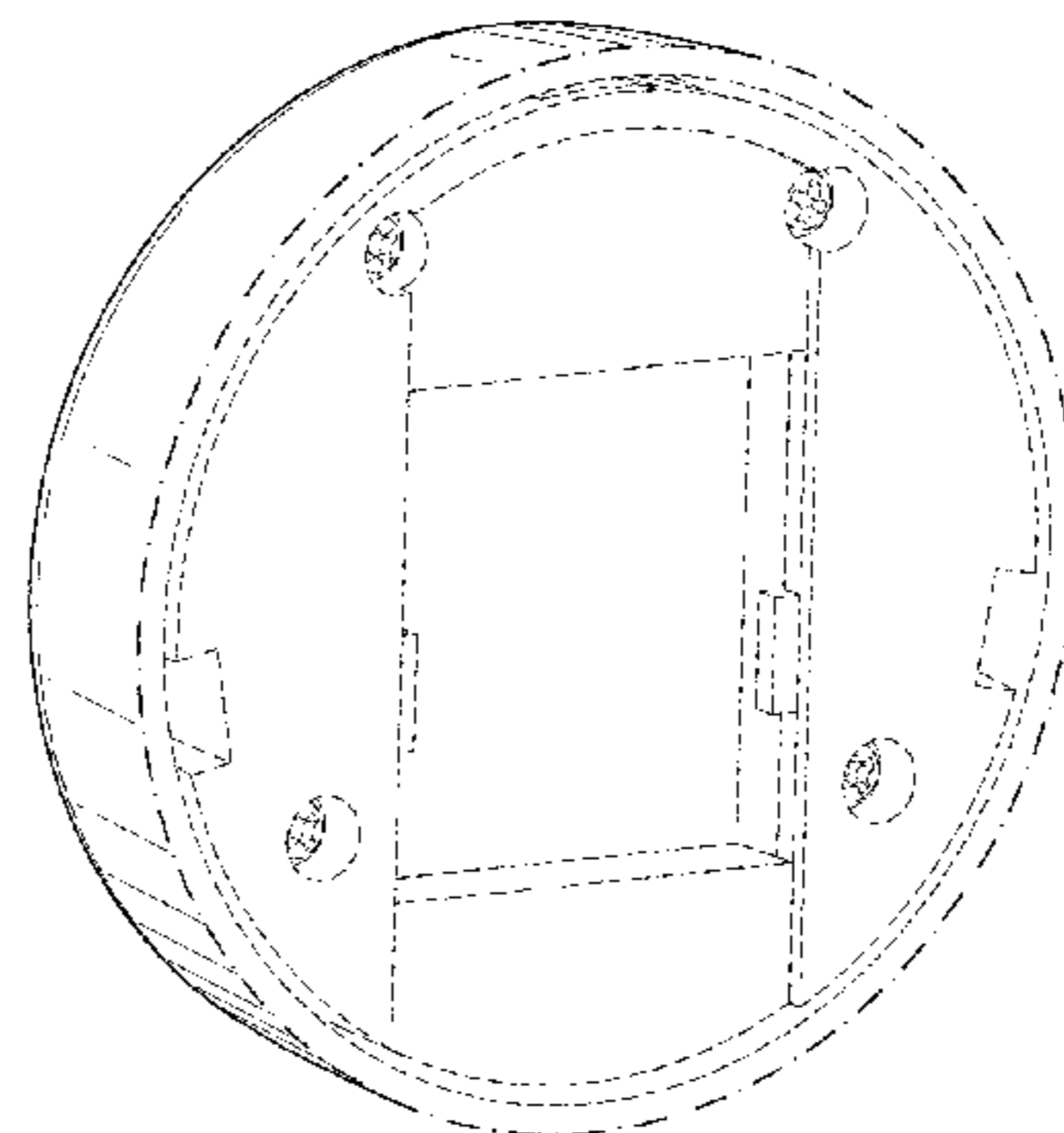
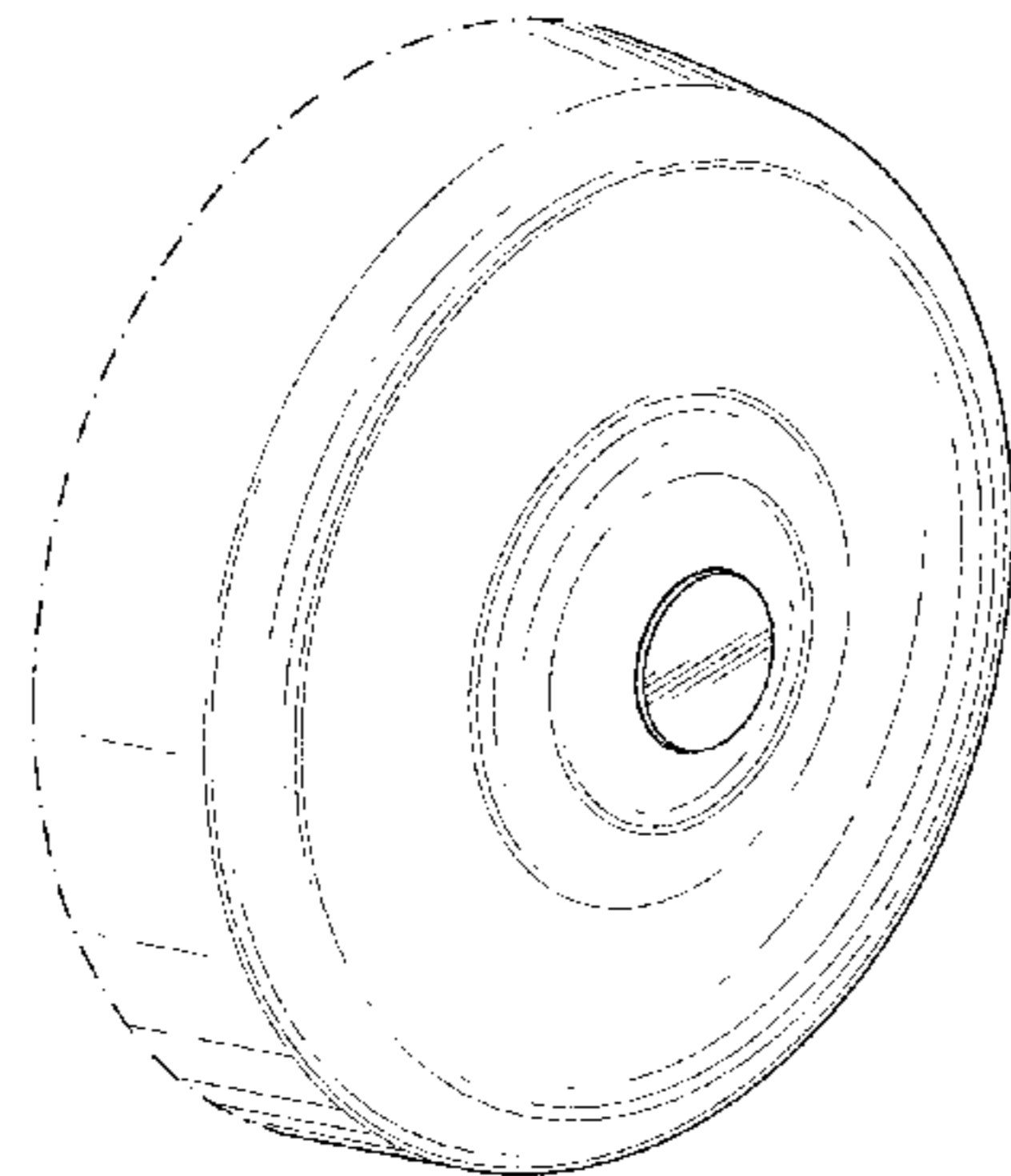
FIG. 4 is a rear elevation view thereof.

FIG. 5 is a top plan view thereof, the undisclosed bottom view being a mirror image; and,

FIG. 6 is a left side elevational view thereof.

The broken lines depict the portions of a video camera in which the design is embodied and form no part of the claimed design. The dash-dot broken lines throughout the views define the bounds of the claimed design and form no part thereof.

1 Claim, 3 Drawing Sheets



(56)

References Cited

U.S. PATENT DOCUMENTS

D679,309 S 4/2013 Park
 D689,536 S 9/2013 Li
 D692,847 S 11/2013 Barley
 D694,306 S 11/2013 Katori
 8,780,201 B1 7/2014 Scalisi
 D710,727 S 8/2014 Siminoff
 D710,728 S 8/2014 Siminoff
 D711,275 S 8/2014 Scalisi
 8,834,044 B2* 9/2014 Uehara G03B 17/14
 396/529
 D719,205 S * 12/2014 Matsumoto D16/202
 D719,994 S 12/2014 Wang
 D721,755 S 1/2015 Ahman
 D727,769 S 4/2015 Scalisi
 D727,989 S * 4/2015 Hasuda D16/134
 D729,678 S 5/2015 Scalisi
 D729,859 S 5/2015 Shin

9,058,738 B1 6/2015 Scalisi
 D733,780 S * 7/2015 Chen D16/202
 D734,801 S * 7/2015 Yang D16/202
 D736,294 S * 8/2015 Scalisi D16/203
 2013/0045763 A1 2/2013 Ruiz
 2014/0125754 A1 5/2014 Haywood
 2015/0022618 A1 1/2015 Siminoff
 2015/0022620 A1 1/2015 Siminoff
 2015/0049191 A1 2/2015 Scalisi

OTHER PUBLICATIONS

DefenDoor by Glate LLC—Downloaded on Dec. 11, 2014 from
<https://www.kickstarter.com/projects/85455040/defendoor-a-home-security-system-that-syncs-with-y>.
 EyeTalk—Downloaded on May 24, 2013 from <http://www.revolutionaryconceptsinc.com/forhome.html>.
 August Smart Lock—Downloaded on Oct. 10, 2014 from www.august.com.

* cited by examiner

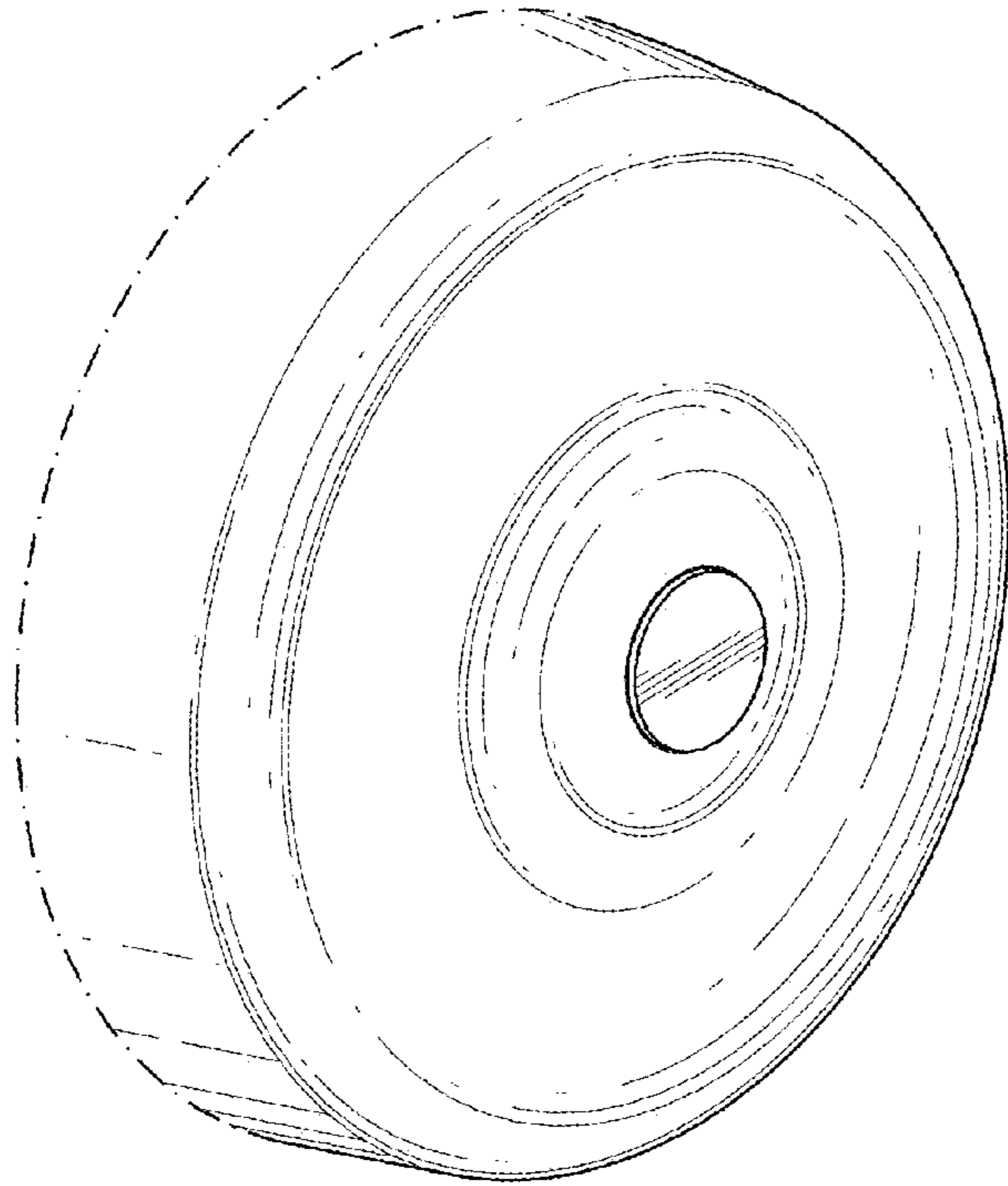


FIG. 1

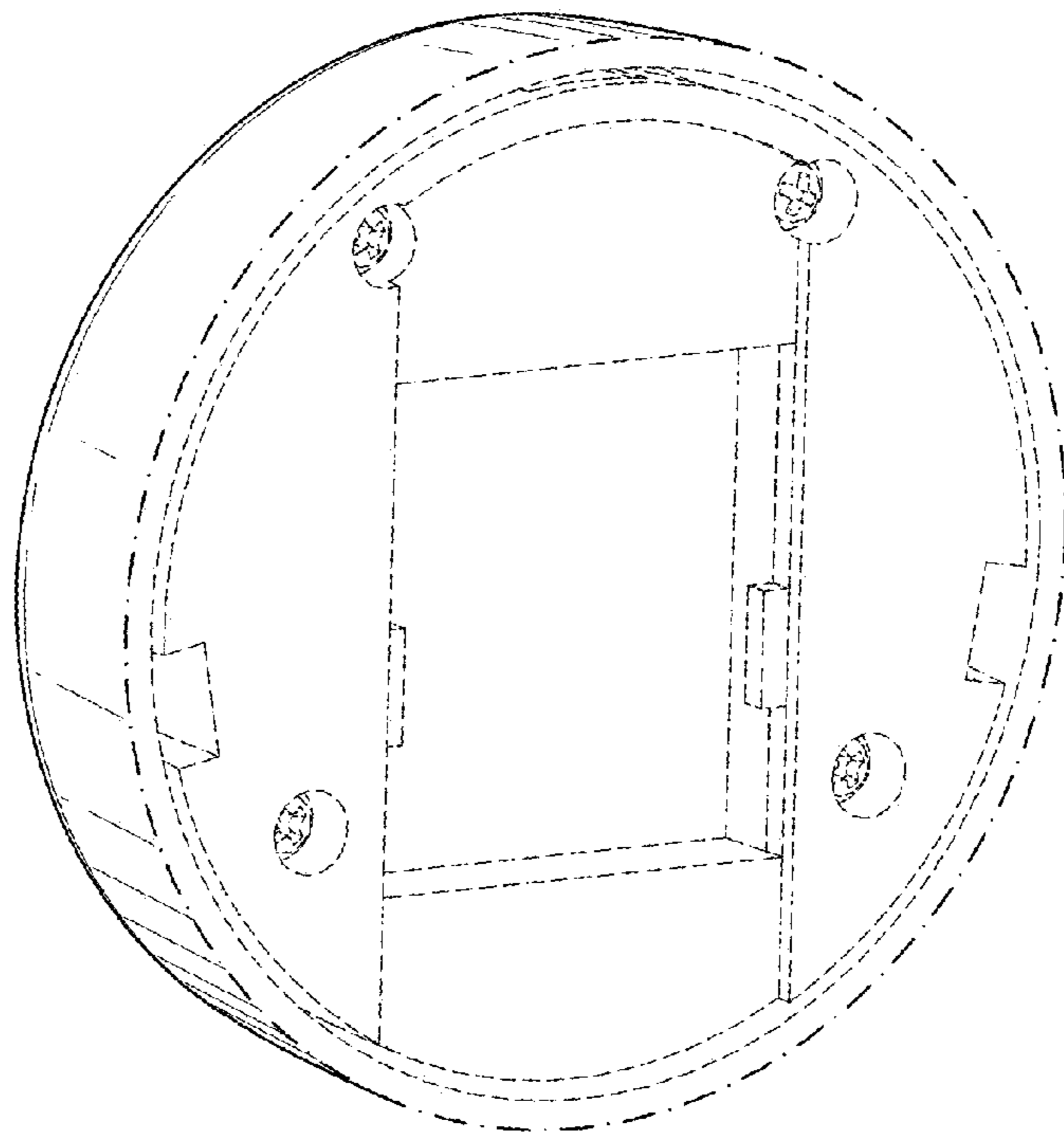


FIG. 2

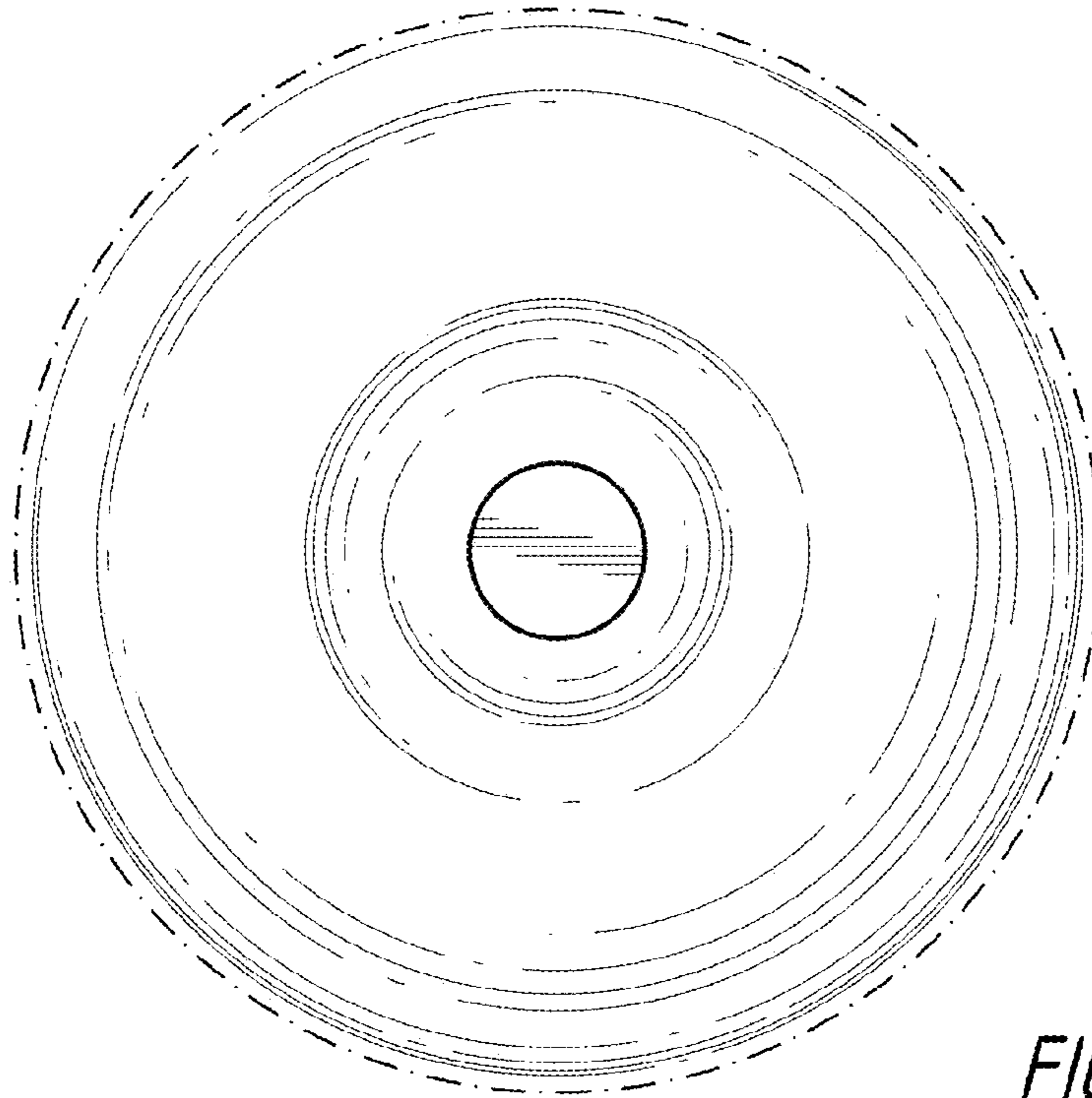


FIG. 3

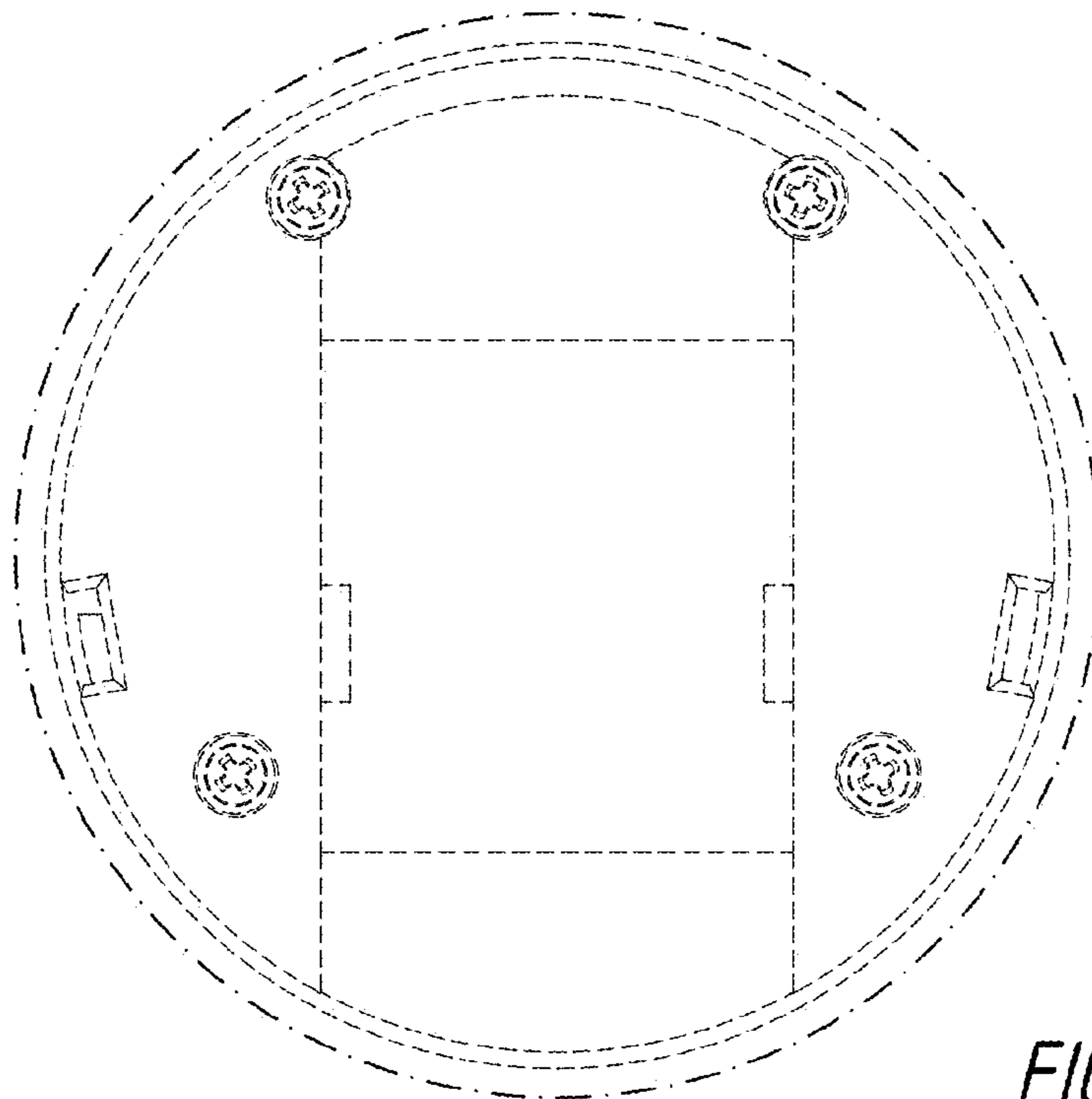


FIG. 4

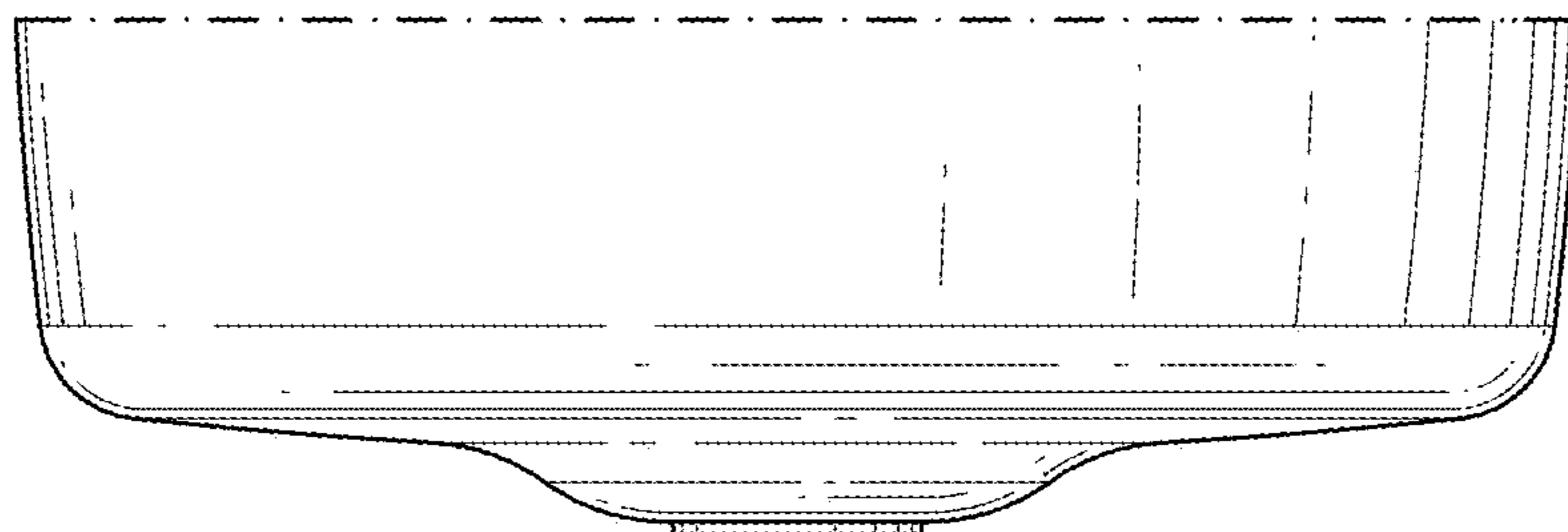


FIG. 5

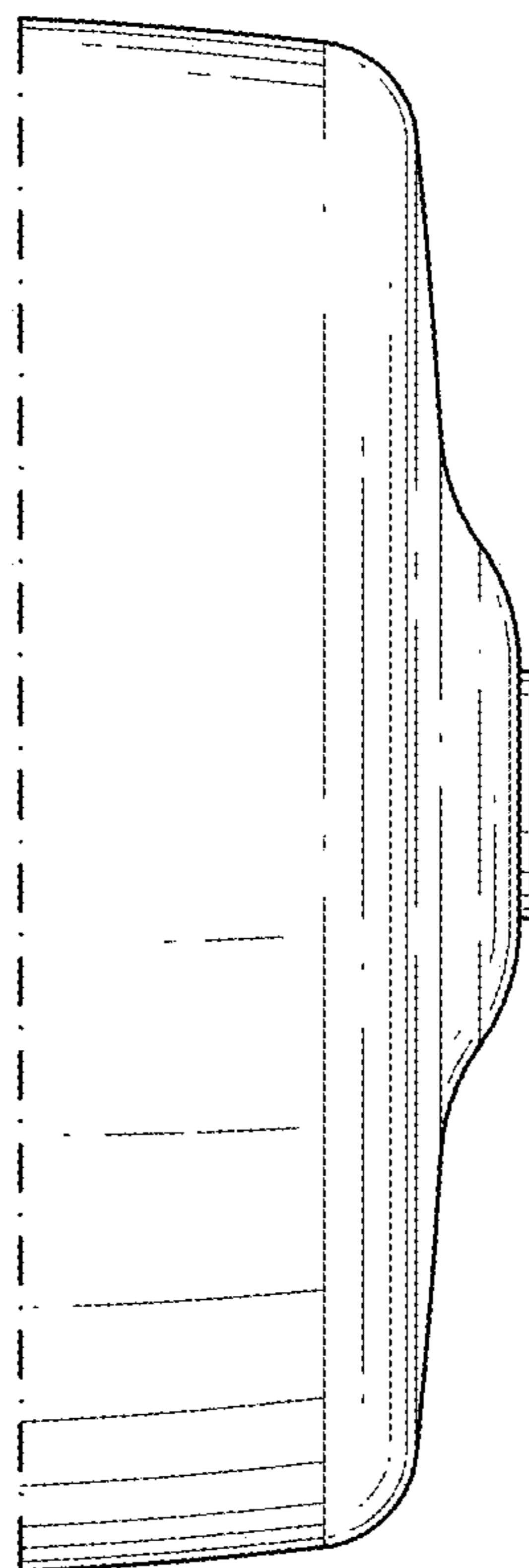


FIG. 6