



US00D748177S

(12) **United States Design Patent**
Radau

(10) **Patent No.:** **US D748,177 S**
(45) **Date of Patent:** **** Jan. 26, 2016**

(54) **BINOCULAR**

(71) Applicant: **Carl Zeiss Sports Optics GmbH,**
Wetzlar (DE)

(72) Inventor: **Nils Radau,** Salzburg (AT)

(73) Assignee: **Carl Zeiss Sports Optics GmbH,**
Wetzlar (DE)

(**) Term: **14 Years**

(21) Appl. No.: **29/511,557**

(22) Filed: **Dec. 11, 2014**

(30) **Foreign Application Priority Data**

Oct. 6, 2014 (EM) 002551150

(51) **LOC (10) Cl.** **16-06**

(52) **U.S. Cl.**
USPC **D16/133**

(58) **Field of Classification Search**
USPC D16/133; 359/407-414, 418-420,
359/816-817, 825-826, 835, 363, 430, 432
CPC G02B 2027/0123; G02B 2027/0132;
G02B 7/06; G02B 7/12; G02B 23/00; G02B
23/16; G02B 2027/0134; G02B 27/26; G02B
23/18

See application file for complete search history.

(56) **References Cited**

U.S. PATENT DOCUMENTS

D486,507 S *	2/2004	Fujii	D16/133
D492,335 S *	6/2004	Watanabe	D16/133
D503,730 S *	4/2005	Hamamura	D16/133
D523,047 S *	6/2006	Swift	D16/133
D551,272 S *	9/2007	Fujii	D16/133
D567,275 S *	4/2008	Hayamizu	D16/133
D575,315 S *	8/2008	Inaba	D16/133
D590,857 S *	4/2009	Fujii	D16/133
D623,676 S *	9/2010	Yanagisawa	D16/133
D627,378 S *	11/2010	Watanabe	D16/133
D646,311 S *	10/2011	Hoelbl	D16/133
D662,119 S *	6/2012	Hoshi	D16/133
D681,709 S *	5/2013	Radau	D16/133
D687,081 S *	7/2013	Radau	D16/133
D713,437 S *	9/2014	Soejima	D16/133
D719,201 S *	12/2014	Marsiglia	D16/133

* cited by examiner

Primary Examiner — Wan Laymon

(74) *Attorney, Agent, or Firm* — Walter Ottesen P.A.

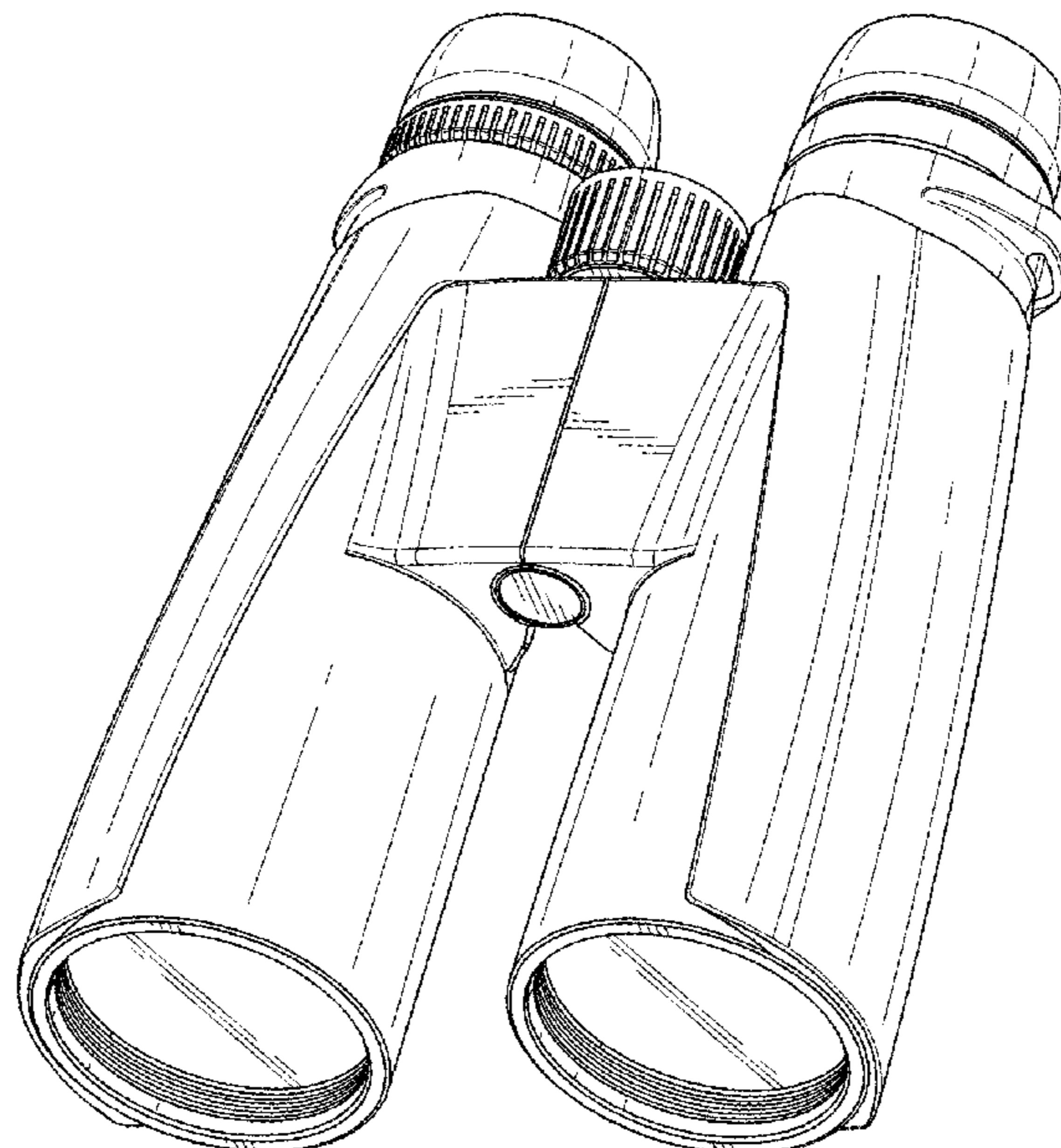
(57) **CLAIM**

The ornamental design for a binocular, as shown and described.

DESCRIPTION

FIG. 1 is a perspective view of a binocular of our new design; FIG. 2 is a top plan view of the binocular of FIG. 1; FIG. 3 is a bottom plan view of the binocular of FIG. 1; FIG. 4 is a left side elevation view of the binocular of FIG. 1; FIG. 5 is a right side elevation view of the binocular of FIG. 1; FIG. 6 is a front elevation view of the binocular of FIG. 1; and, FIG. 7 is a rear elevation view of the binocular of FIG. 1.

1 Claim, 7 Drawing Sheets



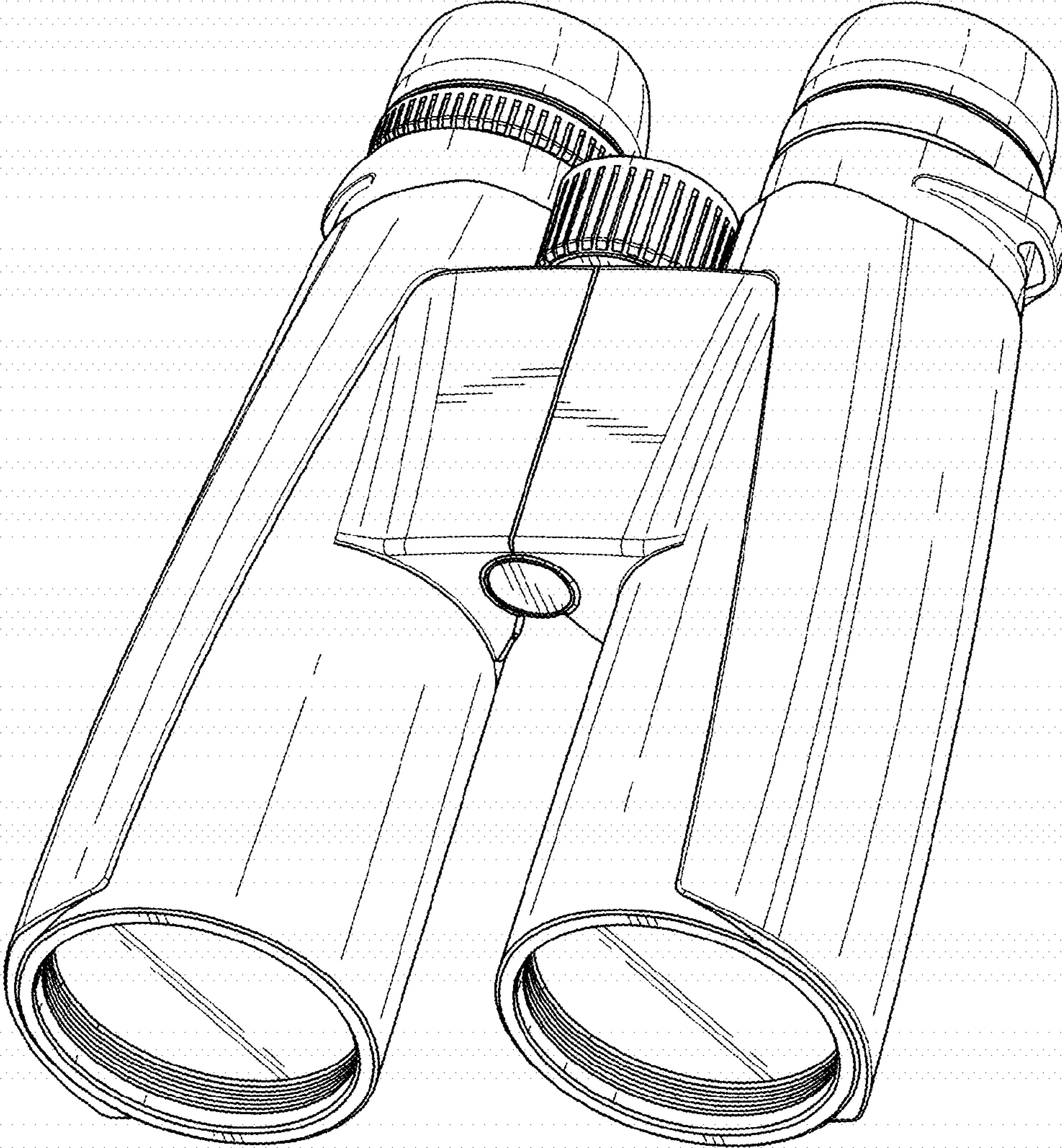


FIG. 1

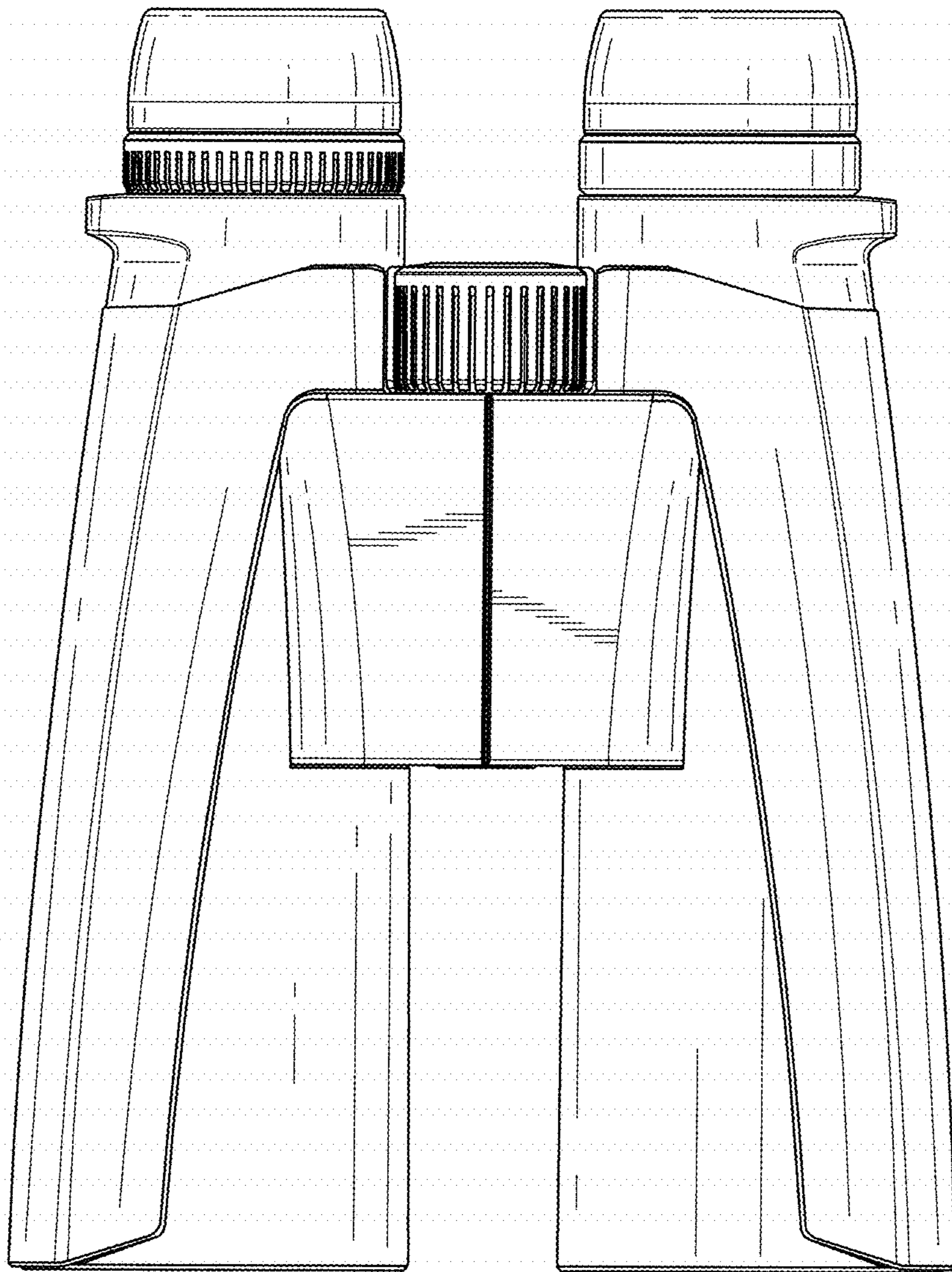


FIG. 2

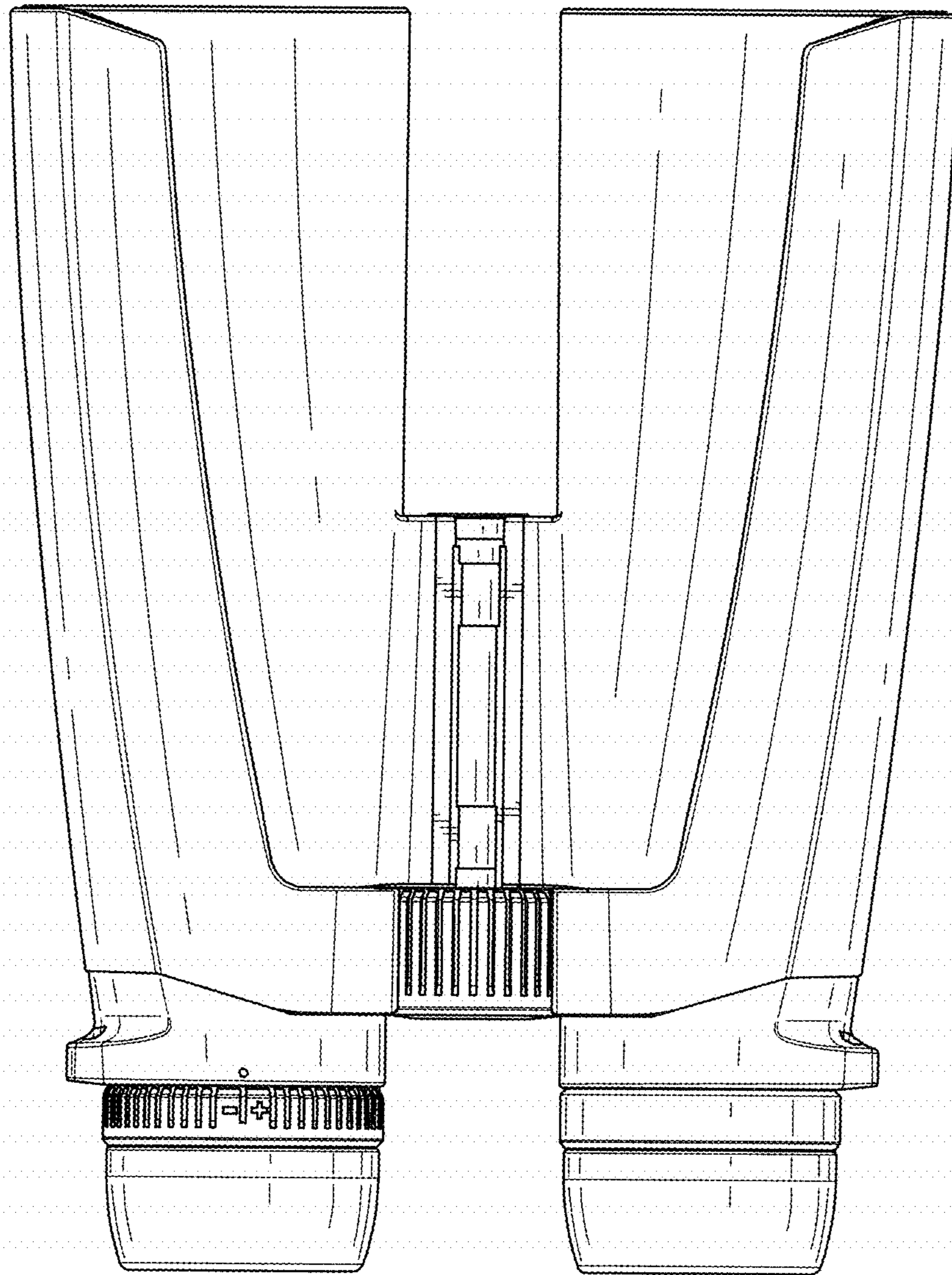


FIG. 3

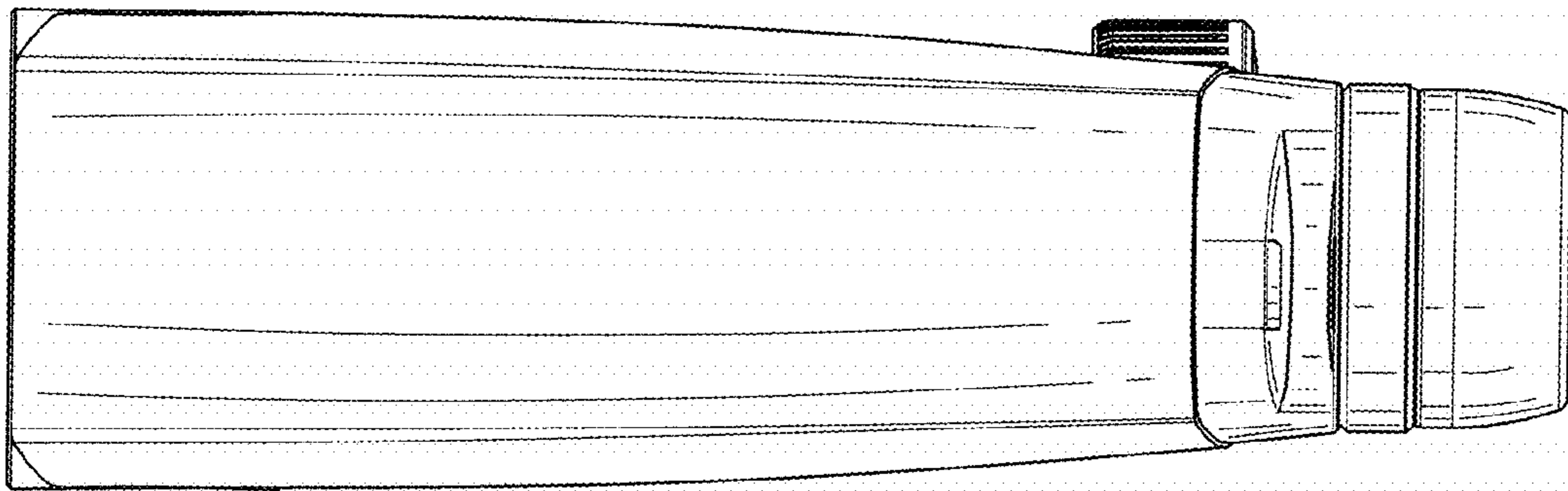


FIG. 4

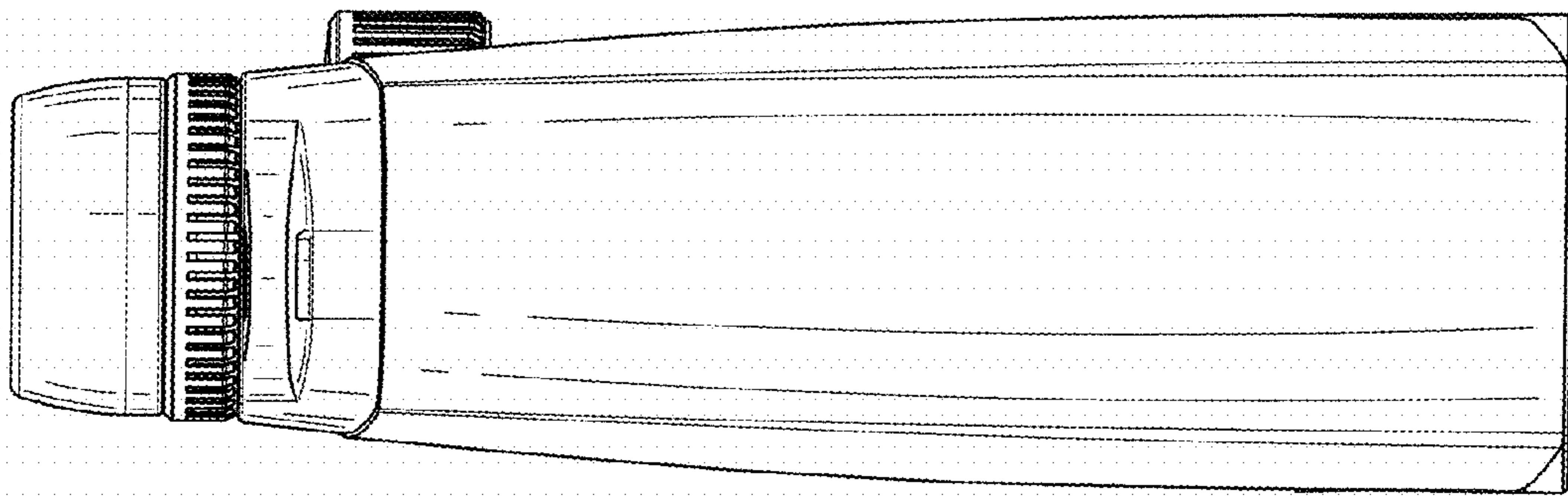


FIG. 5

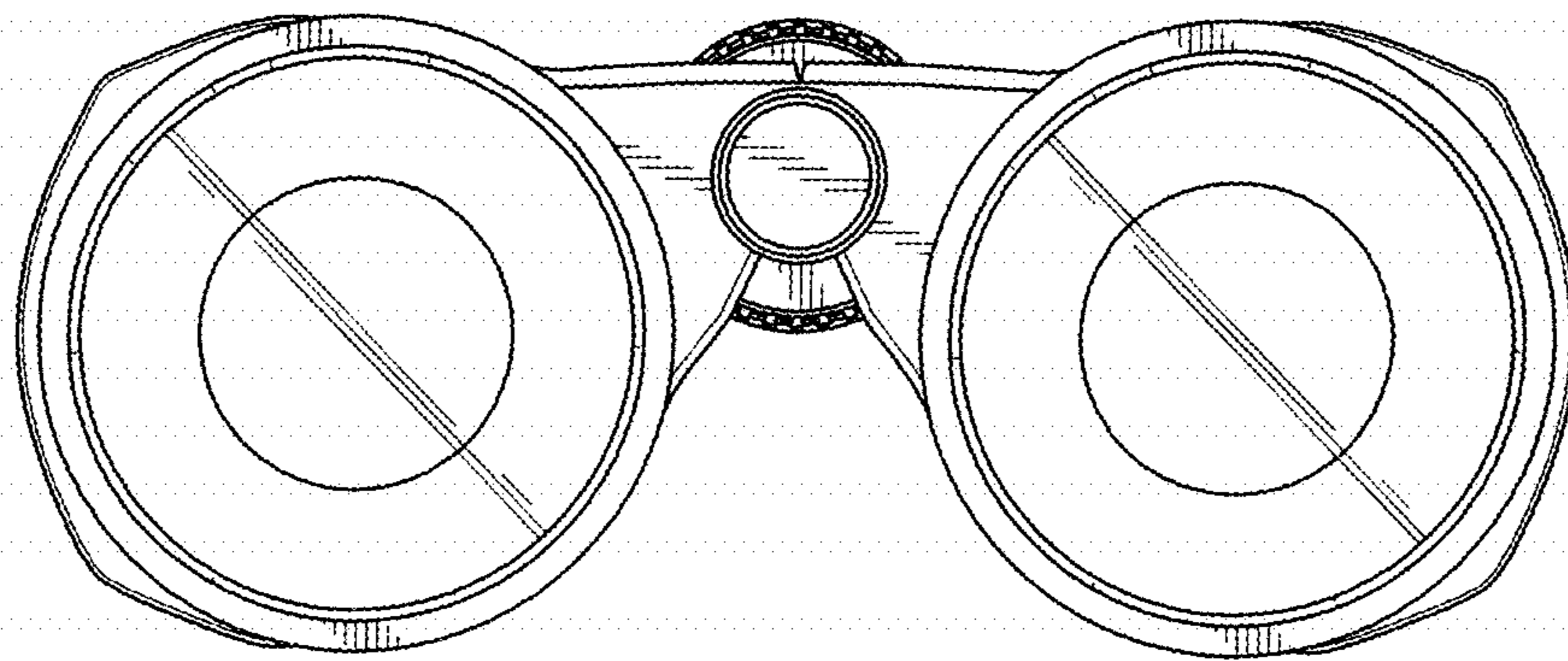


FIG. 6

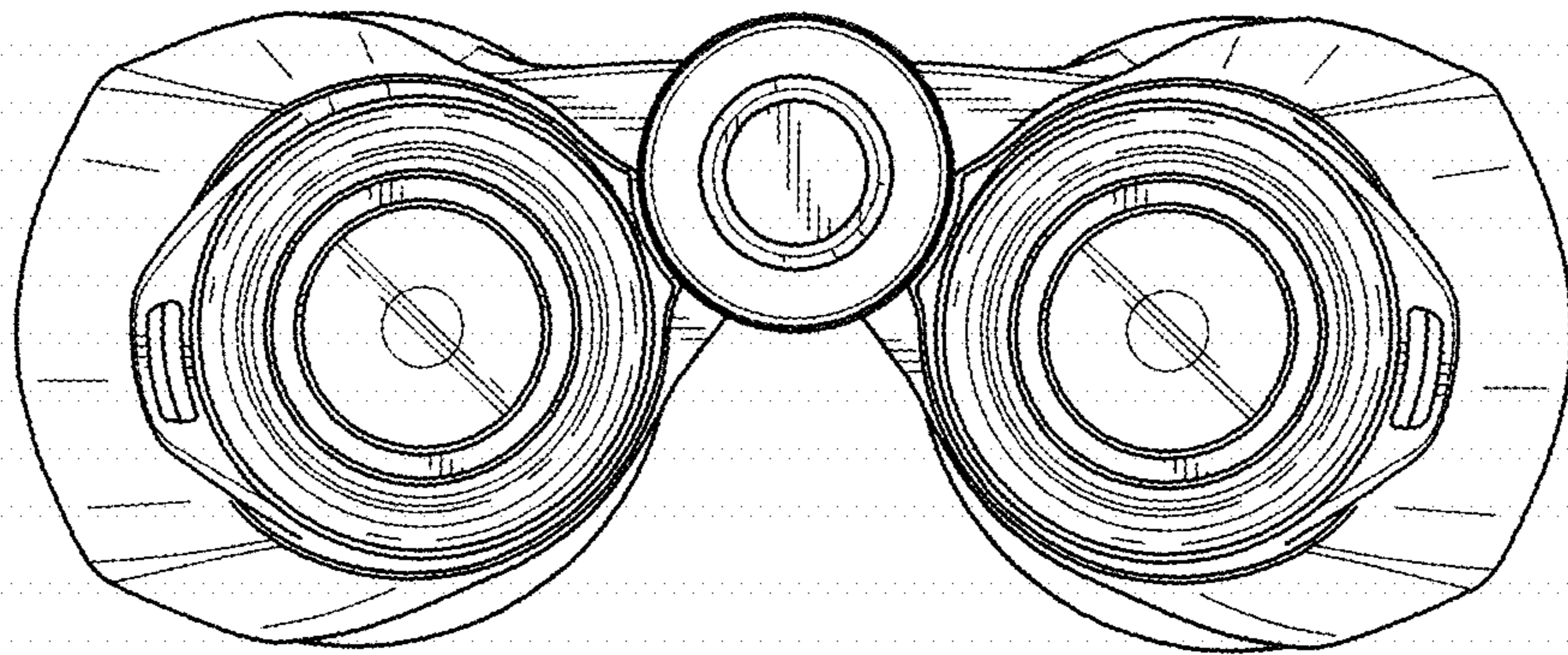


FIG. 7