



US00D748173S

(12) **United States Design Patent**  
**Hassan et al.**

(10) **Patent No.:** **US D748,173 S**  
(45) **Date of Patent:** **\*\* \*Jan. 26, 2016**

(54) **HEAVY DUTY TAPERED CONTACT TIP**

(71) Applicant: **Victor Equipment Company**, Denton, TX (US)

(72) Inventors: **Khalid Hassan**, Denton, TX (US);  
**David Wilton**, Chesterfield, MO (US)

(73) Assignee: **Victor Equipment Companyh**, Denton, TX (US)

(\*) Notice: This patent is subject to a terminal disclaimer.

(\*\*) Term: **14 Years**

(21) Appl. No.: **29/508,003**

(22) Filed: **Oct. 31, 2014**

(51) **LOC (10) Cl.** ..... **15-09**

(52) **U.S. Cl.**  
USPC ..... **D15/144**

(58) **Field of Classification Search**  
USPC ..... D15/144, 144.1, 144.2; 219/70, 137.44,  
219/137.52; D8/29.1, 30  
See application file for complete search history.

(56) **References Cited**

**U.S. PATENT DOCUMENTS**

D231,834 S *	6/1974	Gulrich	.....	D15/144
D269,519 S *	6/1983	Braun	.....	D15/138
D371,058 S *	6/1996	Walters	.....	219/119
D414,788 S *	10/1999	Shintani	.....	D15/144
D420,374 S *	2/2000	Zigliotto	.....	D15/144
D446,795 S *	8/2001	Shintani	.....	D15/144
D451,113 S *	11/2001	Shintani	.....	D15/144
D499,124 S *	11/2004	Kuraoka	.....	D15/144

D517,576 S *	3/2006	Conway	.....	D15/144
D517,577 S *	3/2006	Conway	.....	D15/144
D527,401 S *	8/2006	Mizuno	.....	D15/144
D535,672 S *	1/2007	MacKenzie	.....	D15/144
D536,009 S *	1/2007	MacKenzie	.....	D15/144
D653,270 S *	1/2012	Furujo	.....	D15/144
D654,939 S *	2/2012	Furujo	.....	D15/144
D654,940 S *	2/2012	Furujo	.....	D15/144
D669,509 S *	10/2012	Krink	.....	D15/144.1
D697,956 S *	1/2014	Davis	.....	D15/144
D714,372 S *	9/2014	Savill, Jr.	.....	D15/144
D719,200 S *	12/2014	Hassan	.....	D15/144
D720,784 S *	1/2015	Hassan	.....	D15/144
D721,111 S *	1/2015	Hassan	.....	D15/144
D726,794 S *	4/2015	Kang	.....	D15/144
D728,647 S *	5/2015	Savill, Jr.	.....	D15/144
D728,649 S *	5/2015	Hassan	.....	D15/144
D733,776 S *	7/2015	Buttiker	.....	D15/144
D735,787 S *	8/2015	Hassan	.....	D15/144
D736,285 S *	8/2015	Hassan	.....	D15/144

\* cited by examiner

*Primary Examiner* — Patricia Palasik

(74) *Attorney, Agent, or Firm* — Kacvinsky Daisak Bluni PLLC

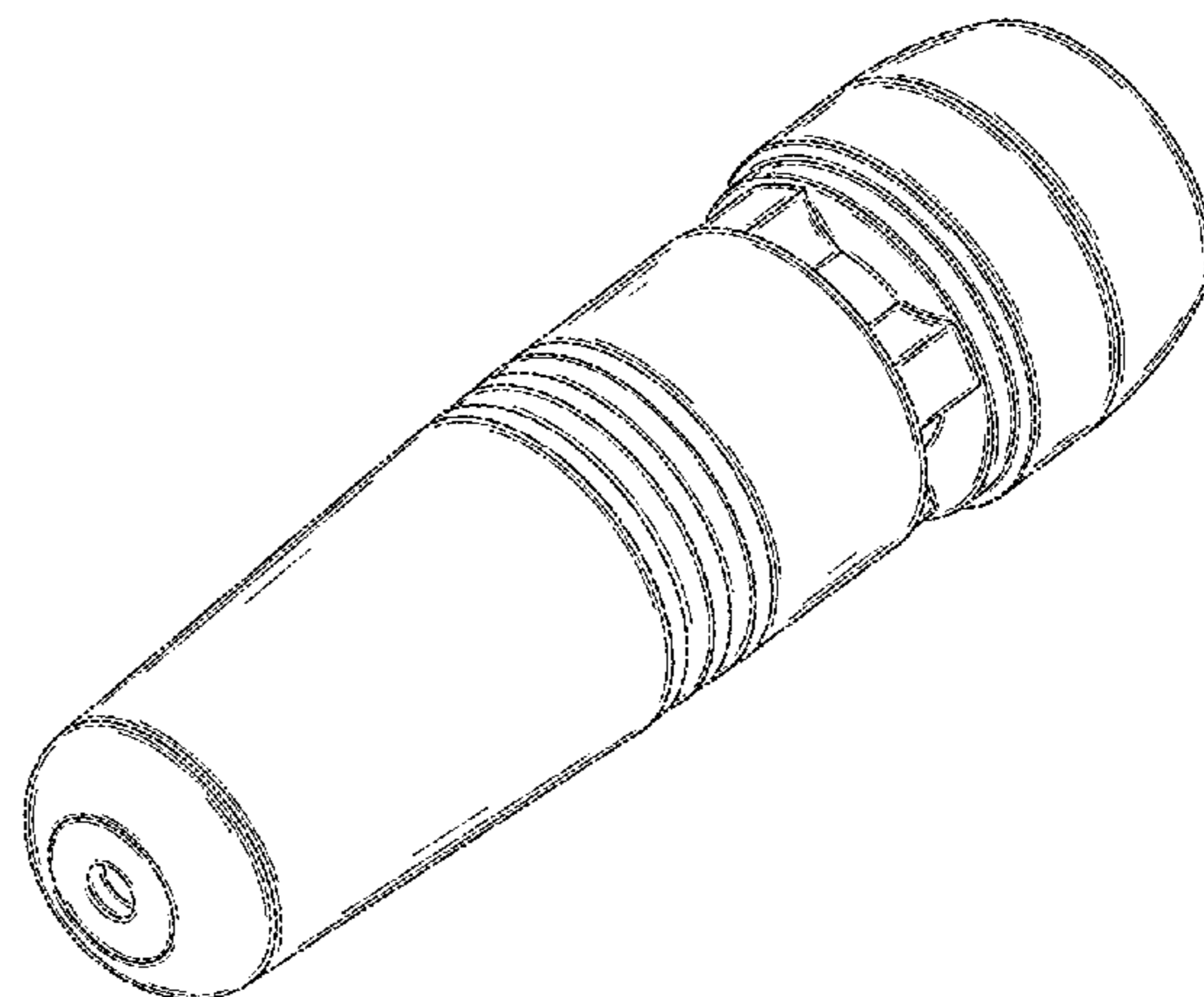
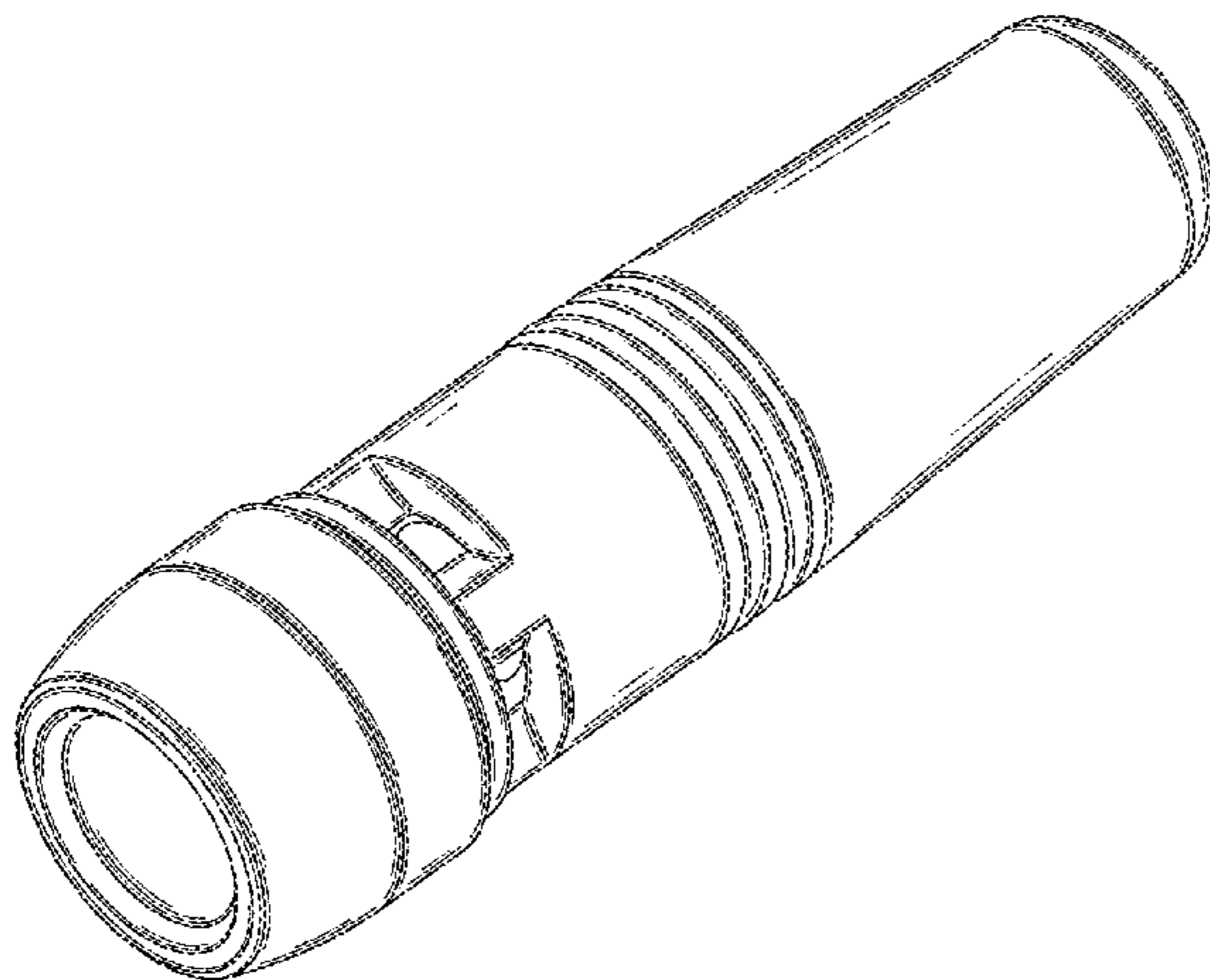
(57) **CLAIM**

The ornamental design for a heavy duty tapered contact tip, as shown and described.

**DESCRIPTION**

FIG. 1 is a perspective view of the heavy duty tapered contact tip; FIG. 2 is another perspective view; FIG. 3 is a side view; FIG. 4 is a front view; and, FIG. 5 is a rear view.

**1 Claim, 5 Drawing Sheets**



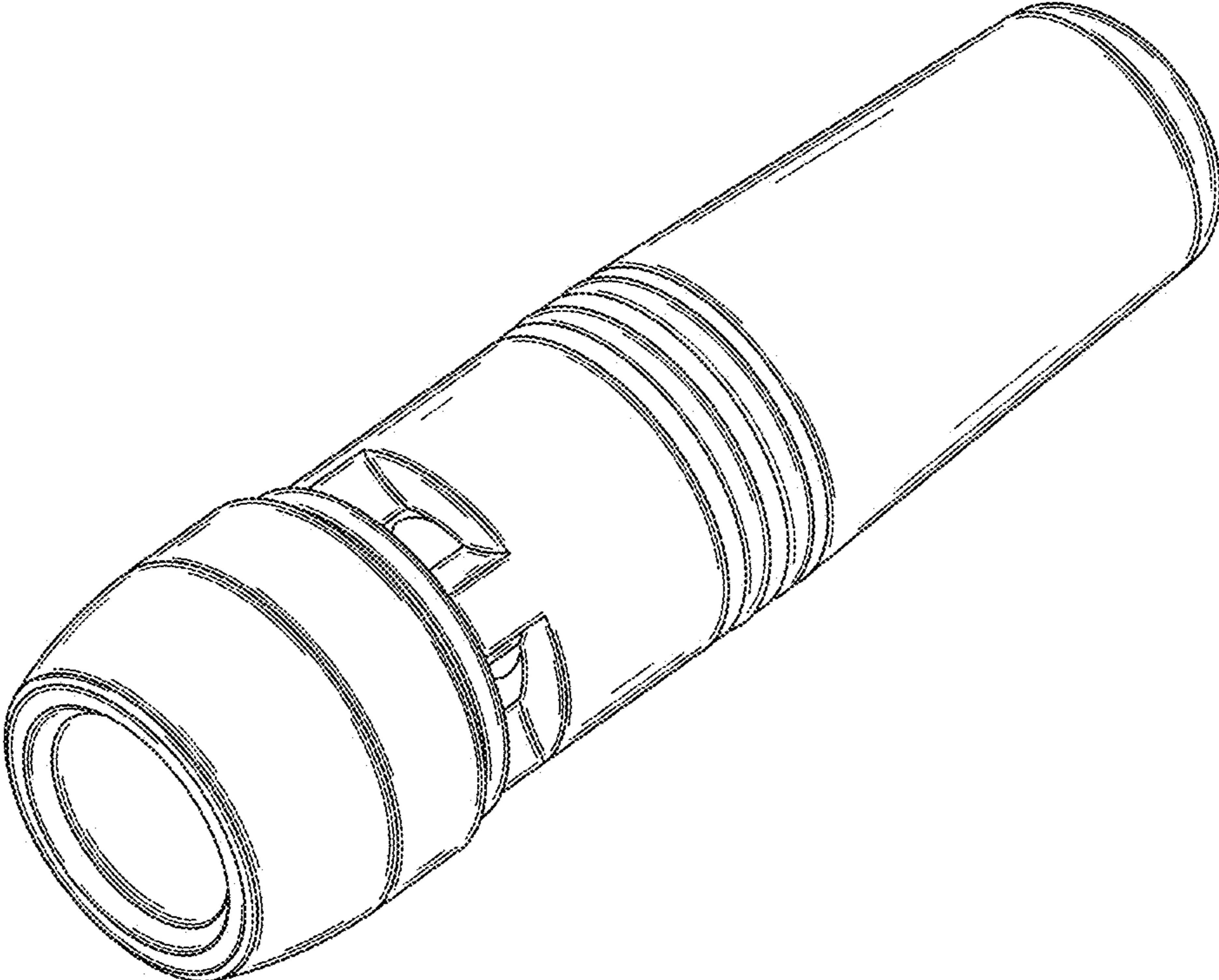


FIG. 1

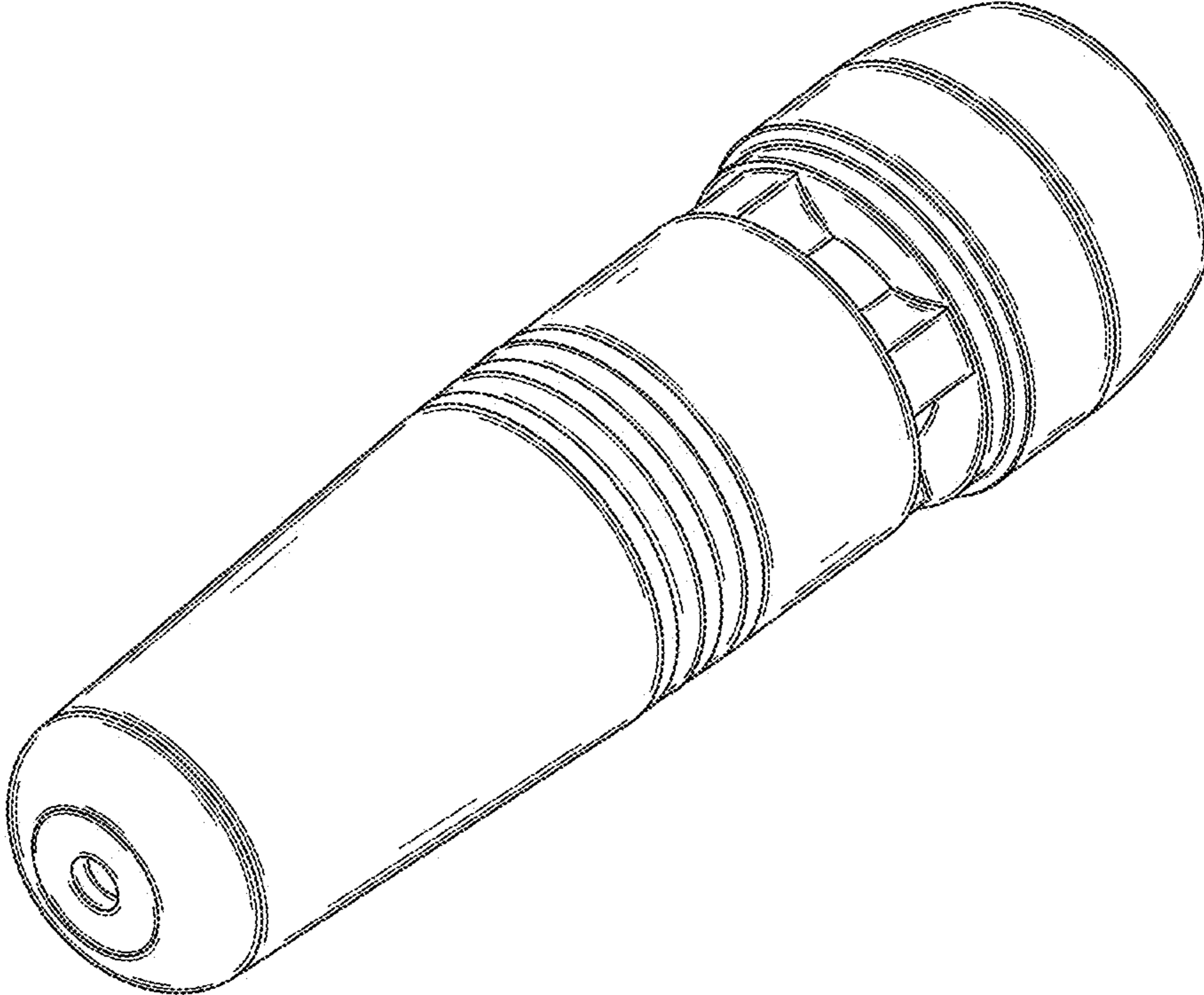


FIG. 2

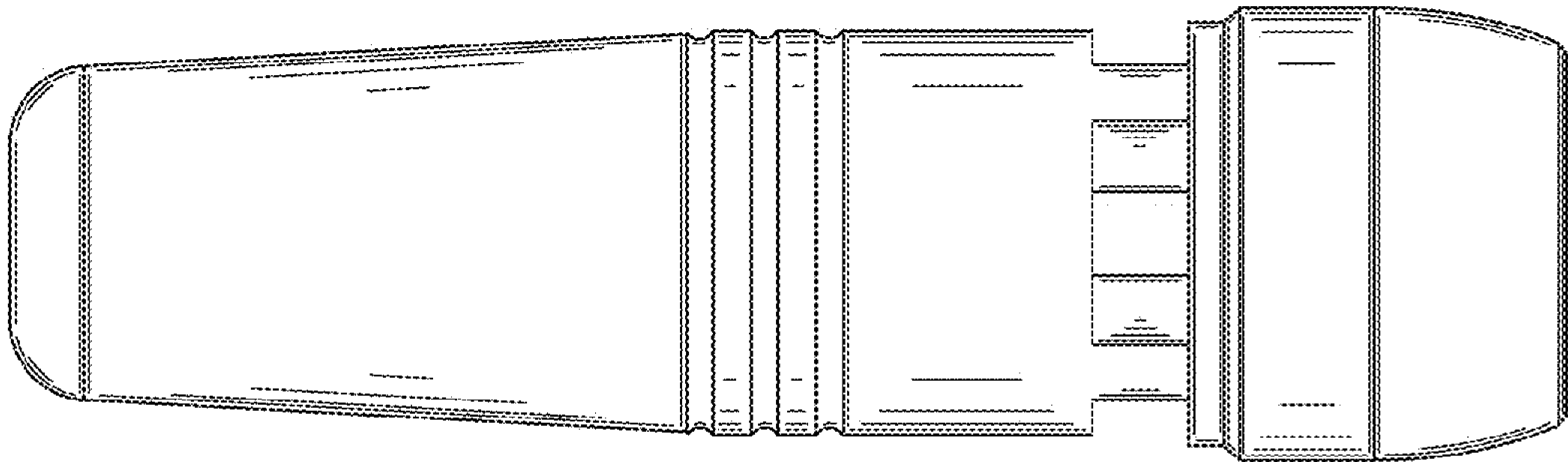


FIG. 3

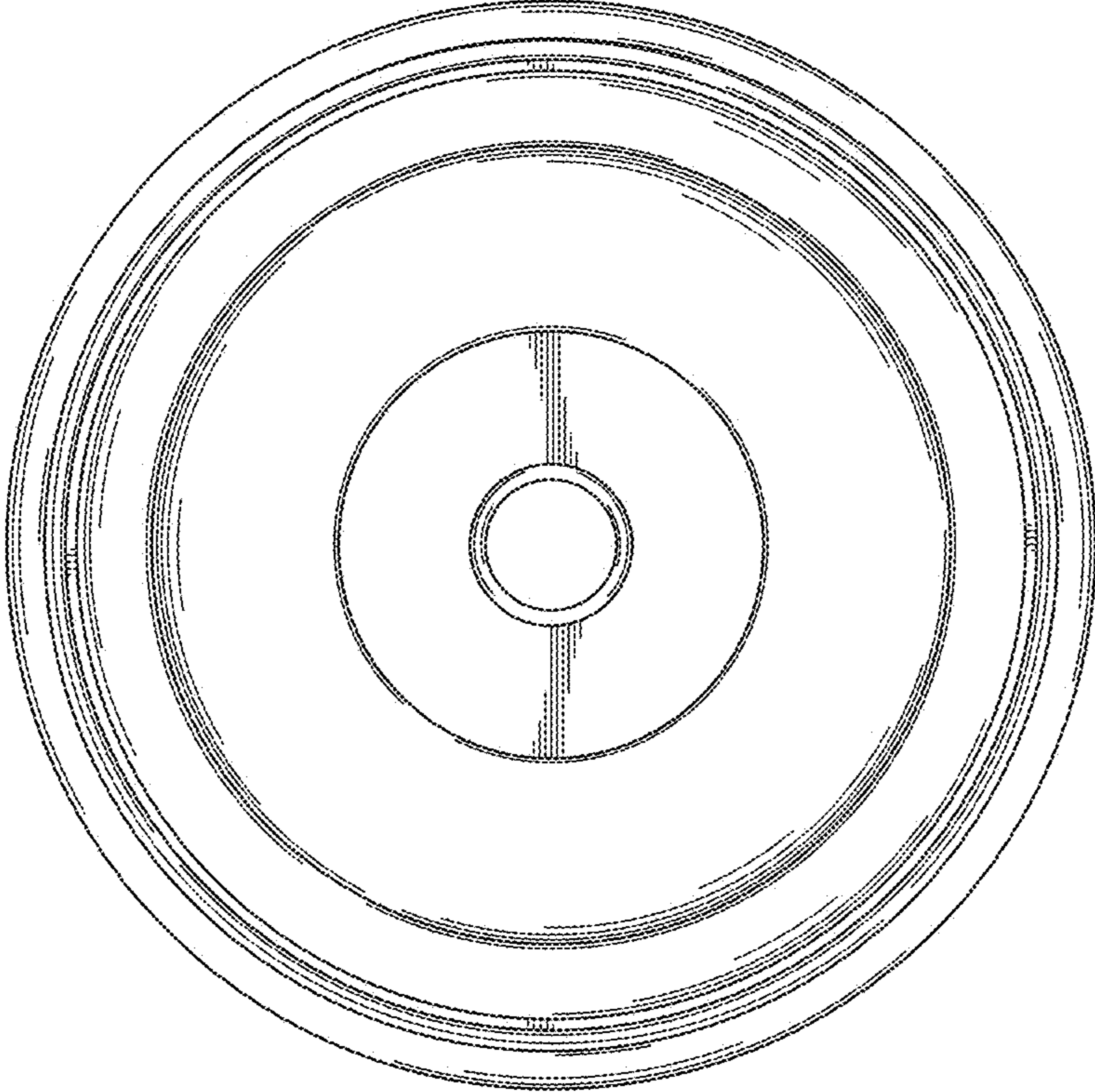


FIG. 4

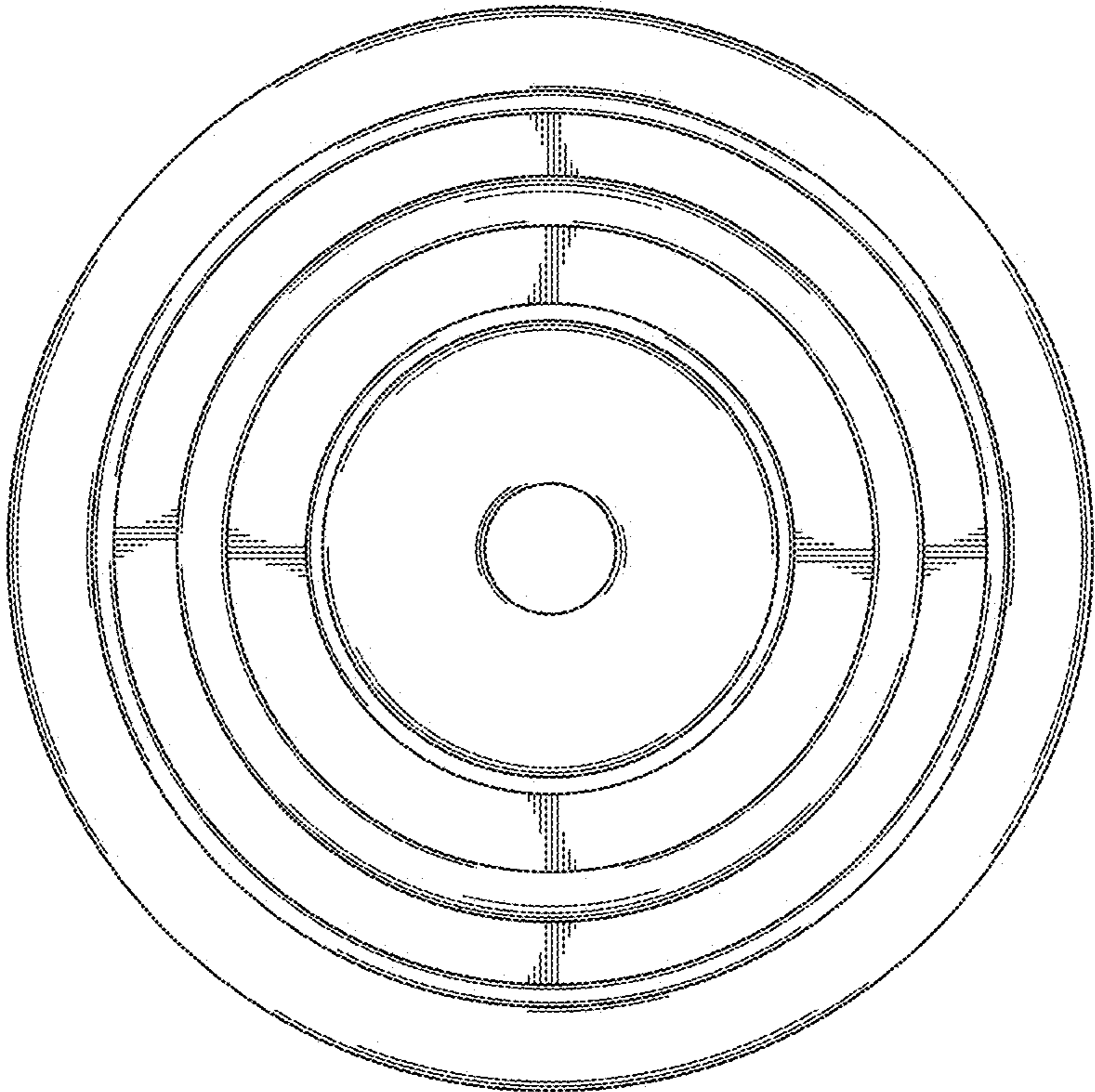


FIG. 5