



US00D748172S

(12) **United States Design Patent**  
**Hassan**

(10) **Patent No.:** **US D748,172 S**  
(45) **Date of Patent:** **\*\* Jan. 26, 2016**

(54) **CONSUMABLES ADAPTER FOR A WELDING TORCH**

(71) Applicant: **Victor Equipment Company**, Denton, TX (US)

(72) Inventor: **Khalid Hassan**, Denton, TX (US)

(73) Assignee: **Victor Equipment Company**, Denton, TX (US)

(\*\*) Term: **14 Years**

(21) Appl. No.: **29/506,291**

(22) Filed: **Oct. 14, 2014**

(51) **LOC (10) Cl.** ..... **15-09**

(52) **U.S. Cl.**  
USPC ..... **D15/144**

(58) **Field of Classification Search**  
USPC ..... D15/138-144.2, 21, 123; 299/104-111;  
241/207; 219/137.31, 137.42-137.44,  
219/137.61-137.63, 74, 75; D8/70;  
D23/223; 239/419, 424.5, 549  
See application file for complete search history.

(56) **References Cited**

**U.S. PATENT DOCUMENTS**

D30,485	S	*	4/1899	Prentiss	.....	D15/139
2,714,932	A	*	8/1955	Thompson	.....	166/119
4,208,154	A	*	6/1980	Gundy	.....	408/204
D330,207	S	*	10/1992	Andrews	.....	D15/140
D356,320	S	*	3/1995	Catalanotti et al.	.....	D15/135
5,556,550	A	*	9/1996	Fyffe	.....	219/75
D446,530	S	*	8/2001	Kuraoka et al.	.....	D15/144
6,355,901	B1	*	3/2002	Nippert	.....	219/119

D516,104	S	*	2/2006	Brady	.....	D15/139
D539,315	S	*	3/2007	Zweben	.....	D15/139
7,546,759	B1	*	6/2009	Gruenfelder et al.	.....	73/40
D682,391	S	*	5/2013	Kah et al.	.....	D23/214
D684,612	S	*	6/2013	Frazier	.....	D15/139
D703,713	S	*	4/2014	Frazier	.....	D15/139
D722,091	S	*	2/2015	Tokura	.....	D15/140
D733,776	S	*	7/2015	Buttiker	.....	D15/144
2002/0162826	A1	*	11/2002	Eickhoff et al.	.....	219/121.39
2006/0180219	A1	*	8/2006	Jeong	.....	137/798
2013/0193117	A1	*	8/2013	Wada et al.	.....	219/75
2015/0048057	A1	*	2/2015	Wada	.....	219/75

\* cited by examiner

*Primary Examiner* — Susan Bennett Hattan

*Assistant Examiner* — Brett Miller

(74) *Attorney, Agent, or Firm* — Kacvinsky Daisak Bluni PLLC

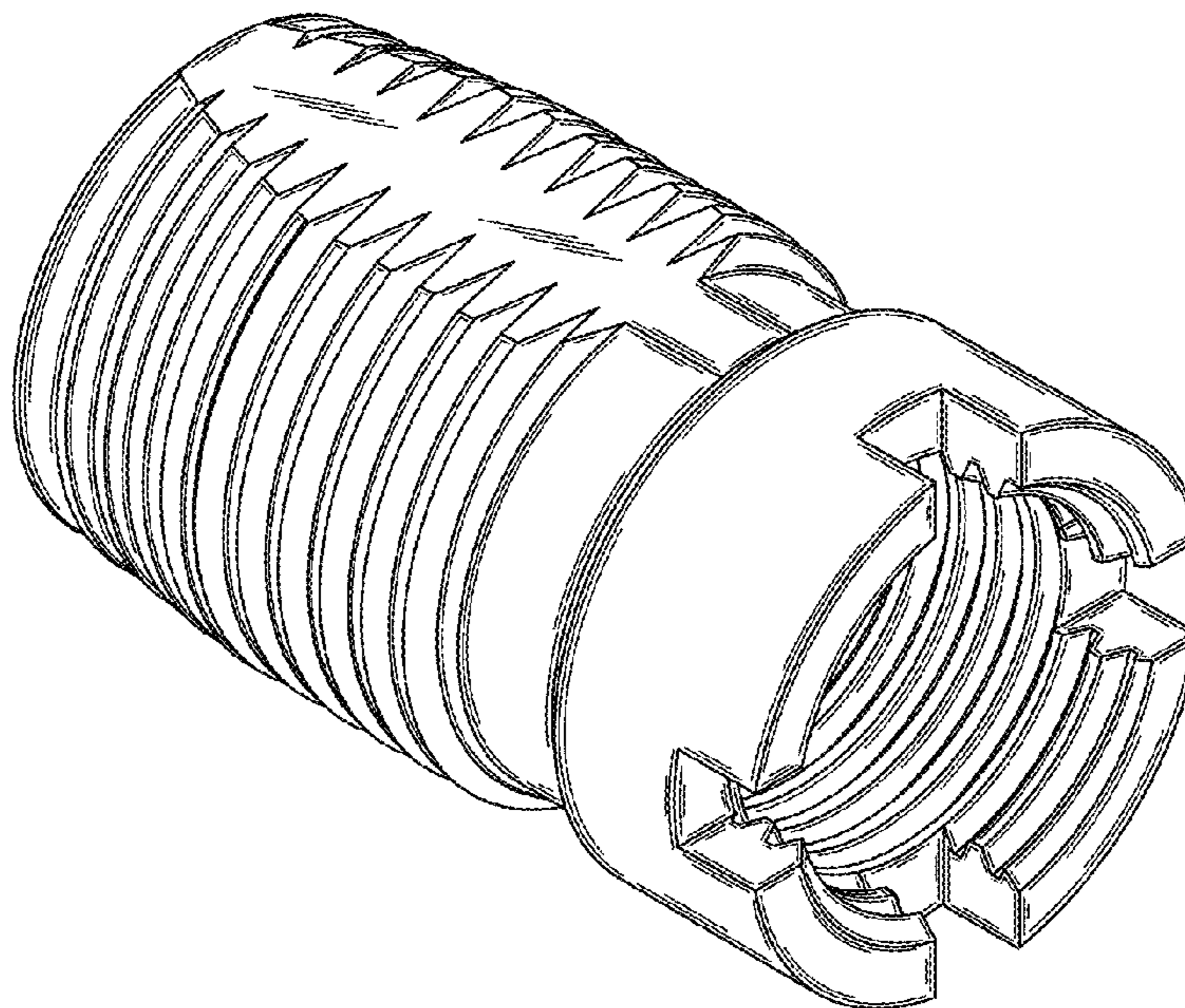
(57) **CLAIM**

The ornamental design for a consumables adapter for a welding torch, as shown and described.

**DESCRIPTION**

FIG. 1 is a first perspective view of the consumables adapter for a welding torch;  
FIG. 2 is a second perspective view thereof;  
FIG. 3 is a side view thereof;  
FIG. 4 is another side view thereof;  
FIG. 5 is a top view thereof;  
FIG. 6 is a bottom view thereof;  
FIG. 7 is a rear view thereof; and,  
FIG. 8 is a front view thereof.  
The shade lines on the surface portions indicate contour and not surface decoration.

**1 Claim, 8 Drawing Sheets**



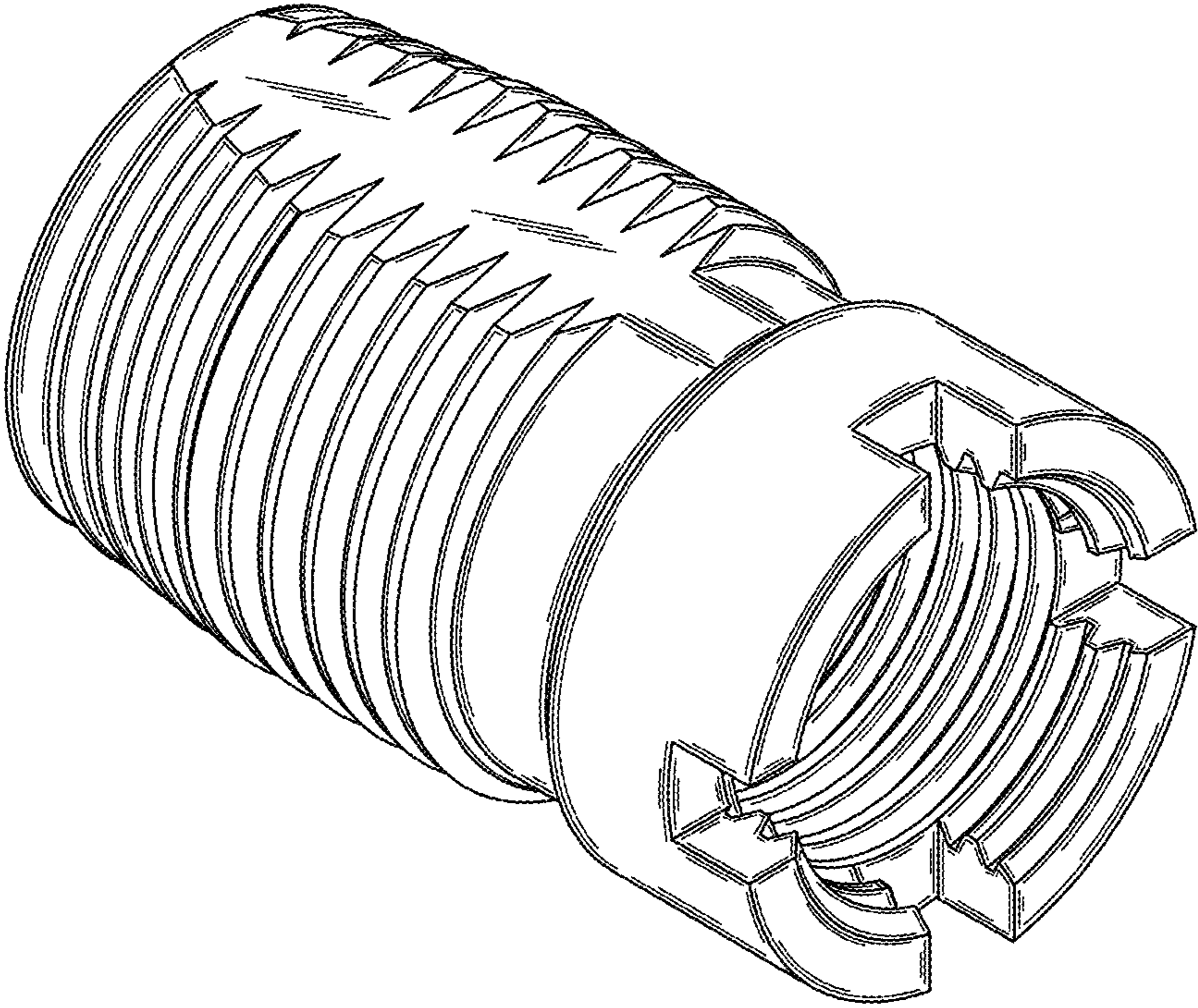


FIG. 1

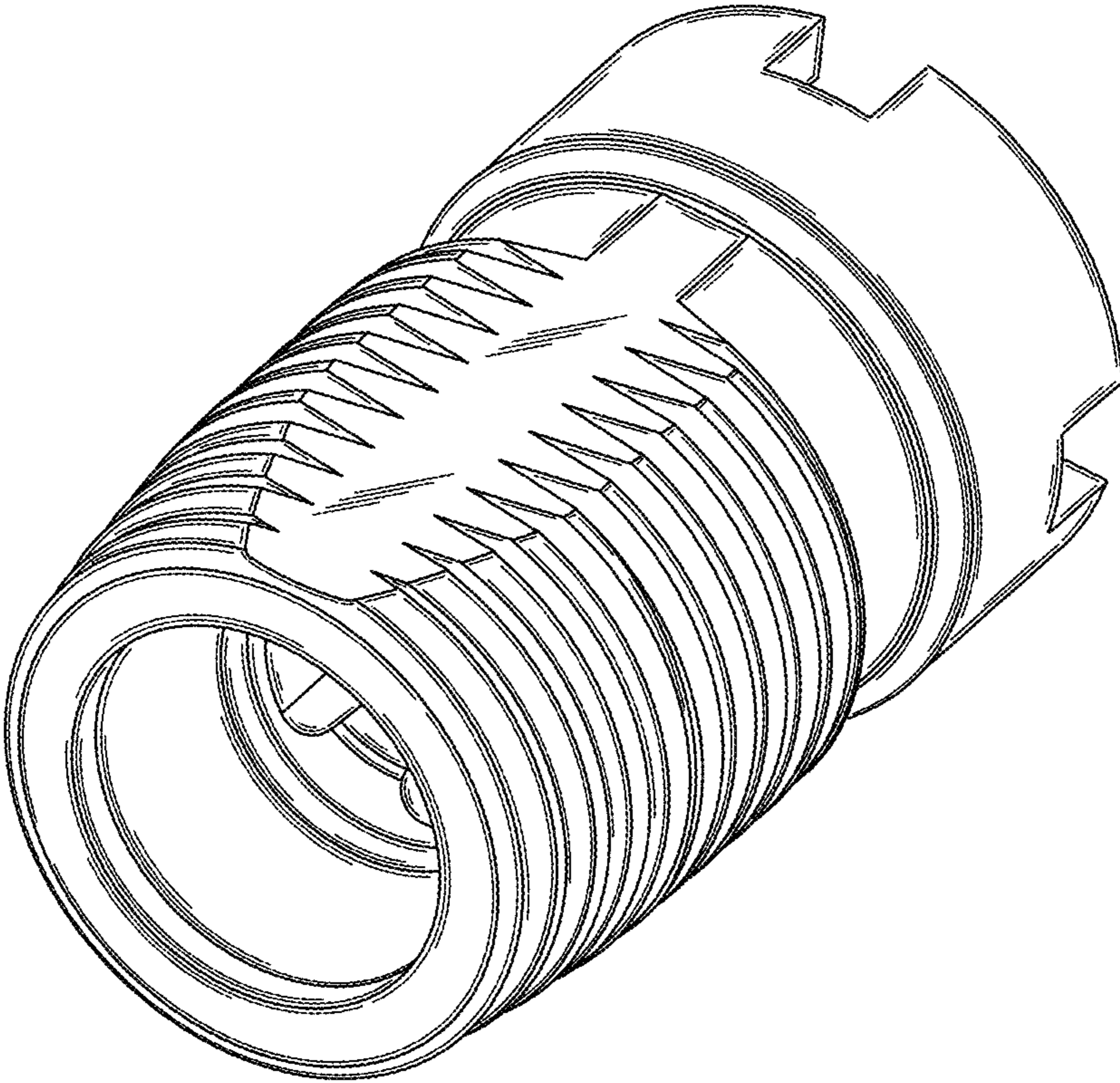


FIG. 2

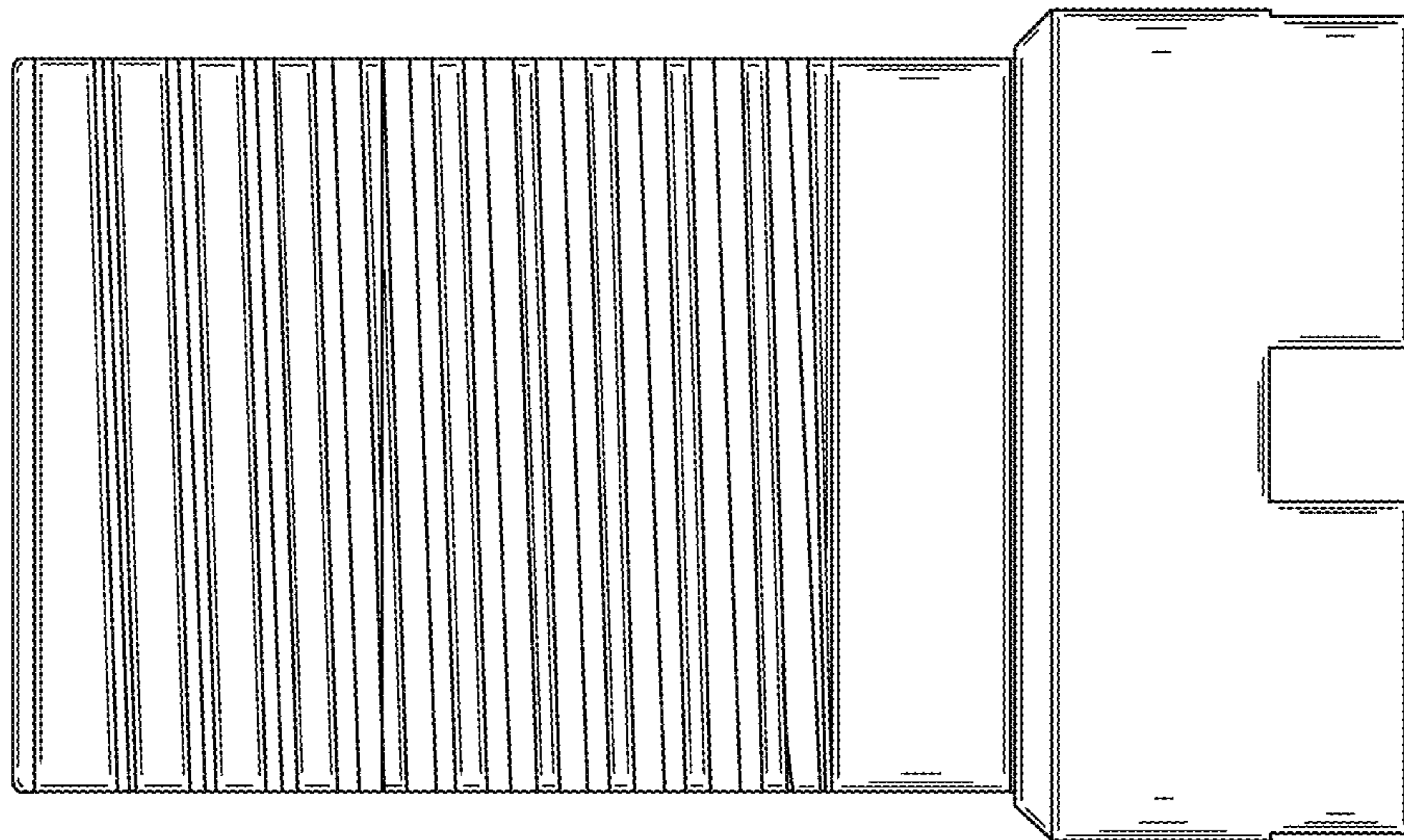


FIG. 3

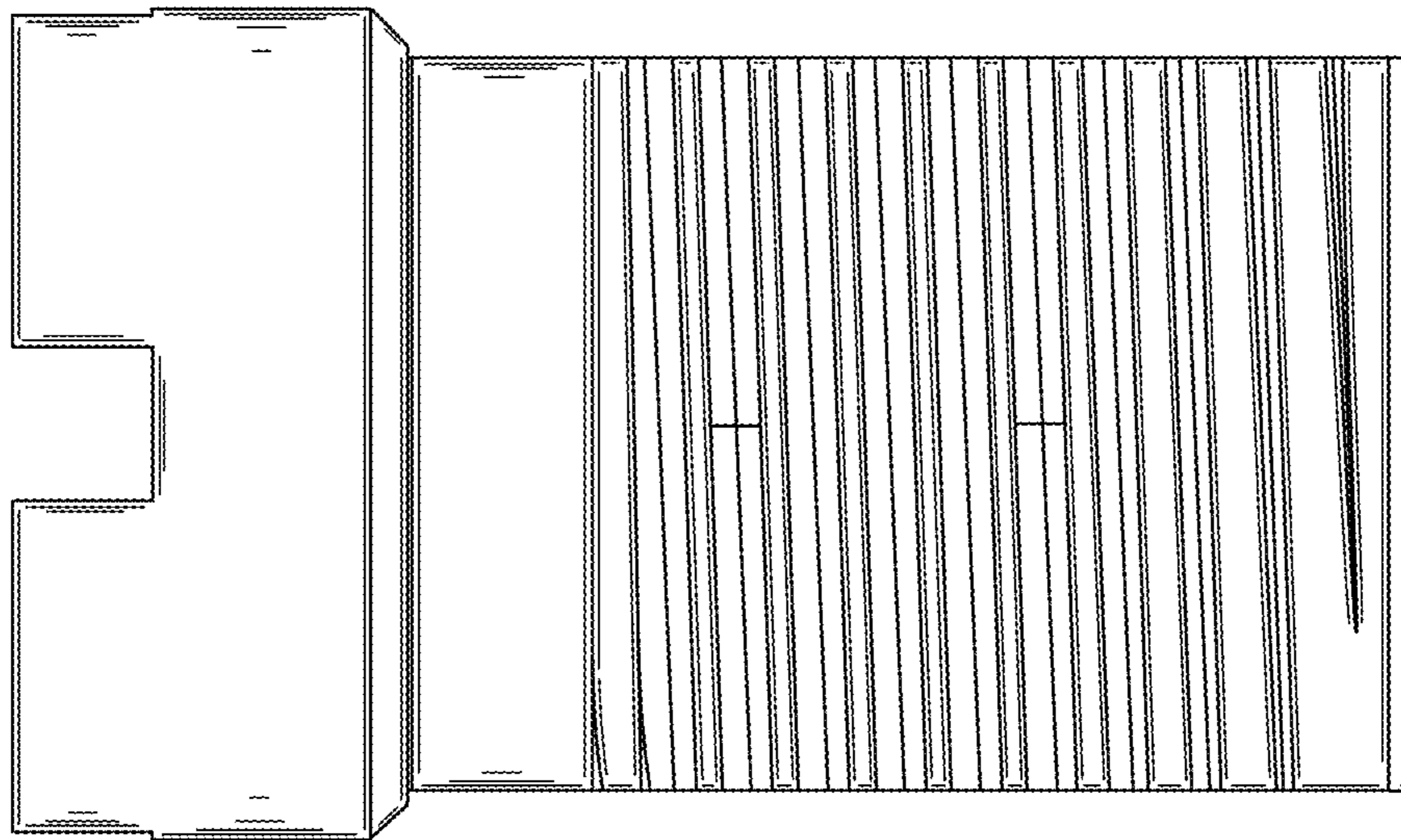


FIG. 4

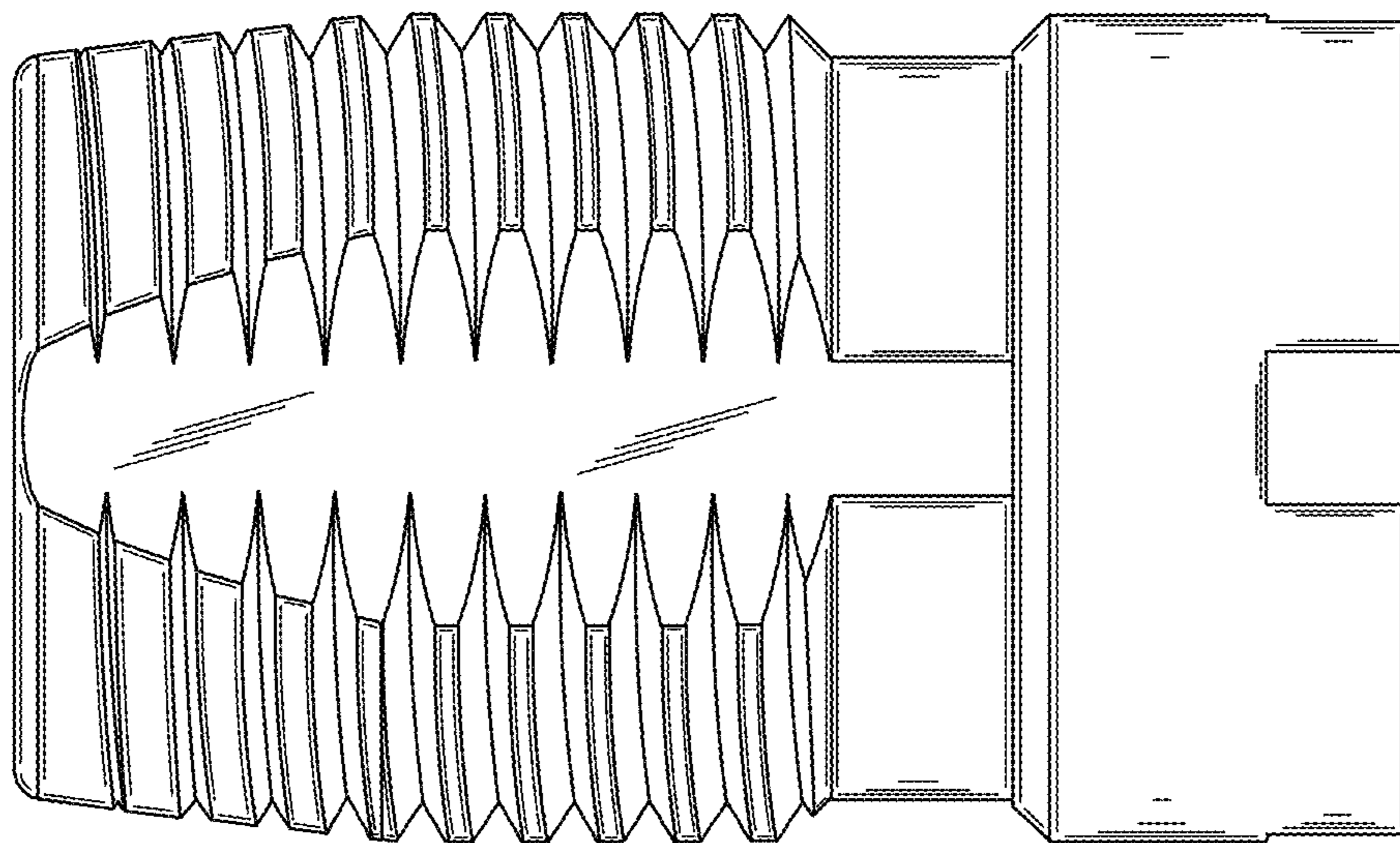


FIG. 5

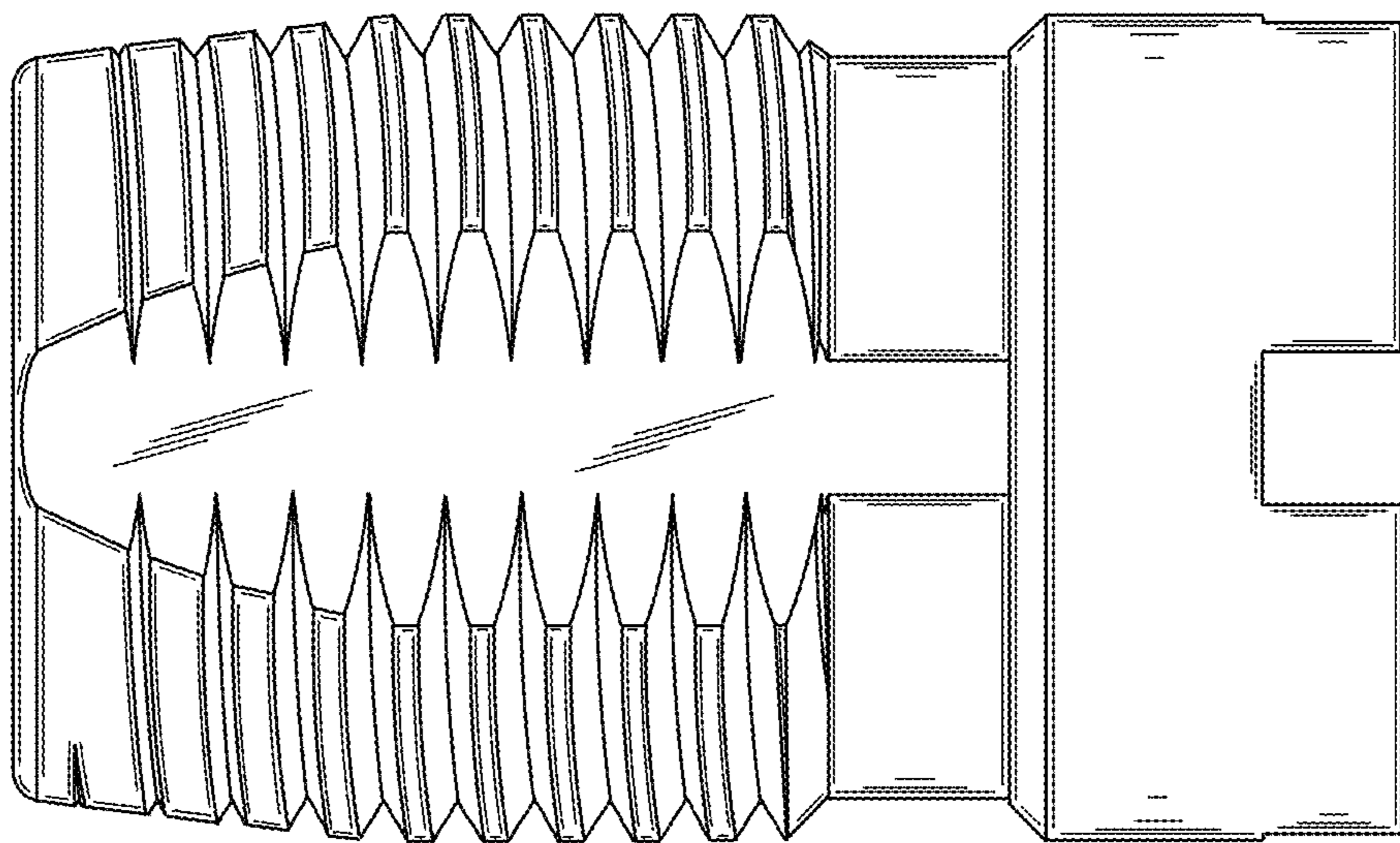


FIG. 6

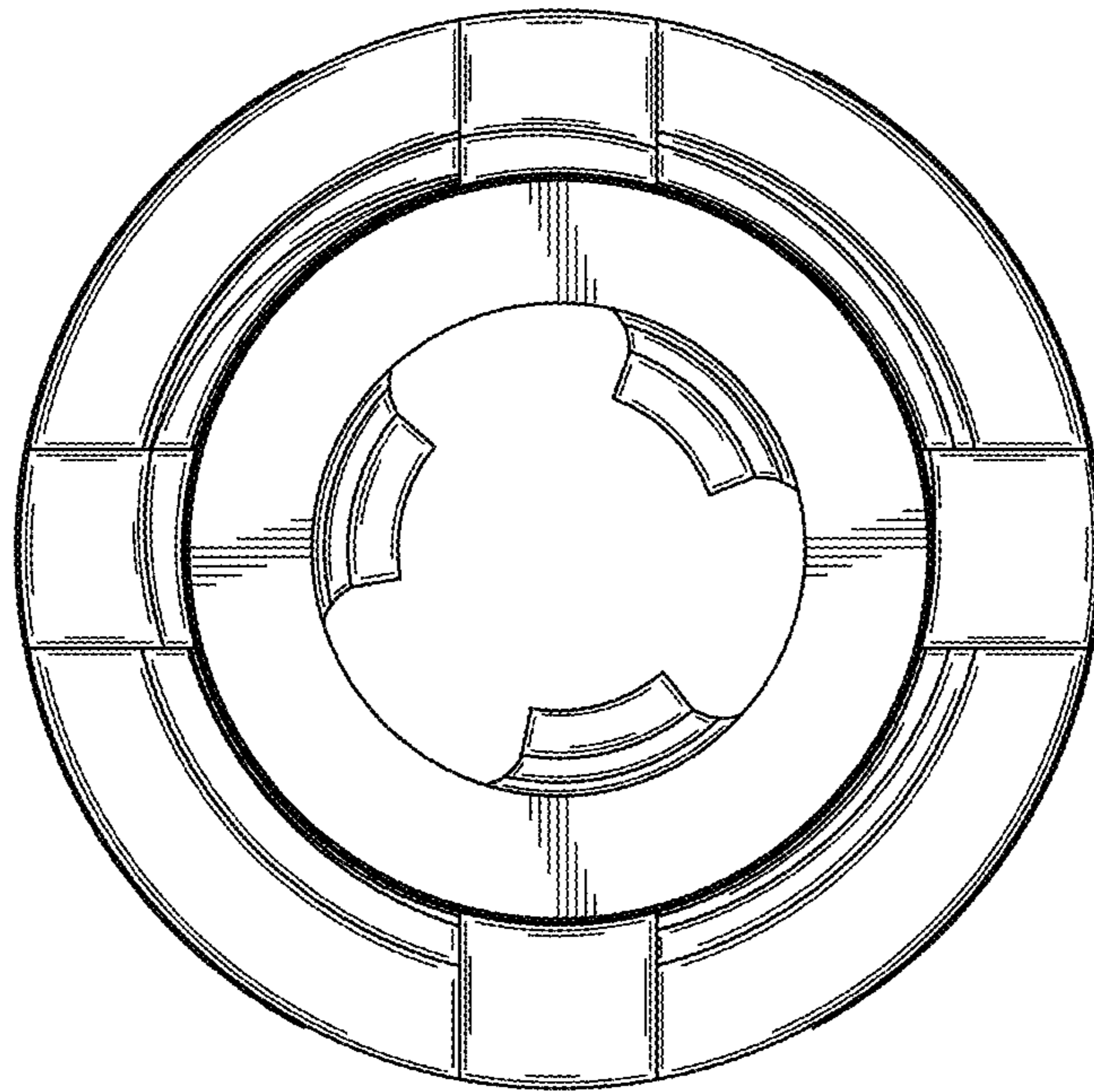


FIG. 7



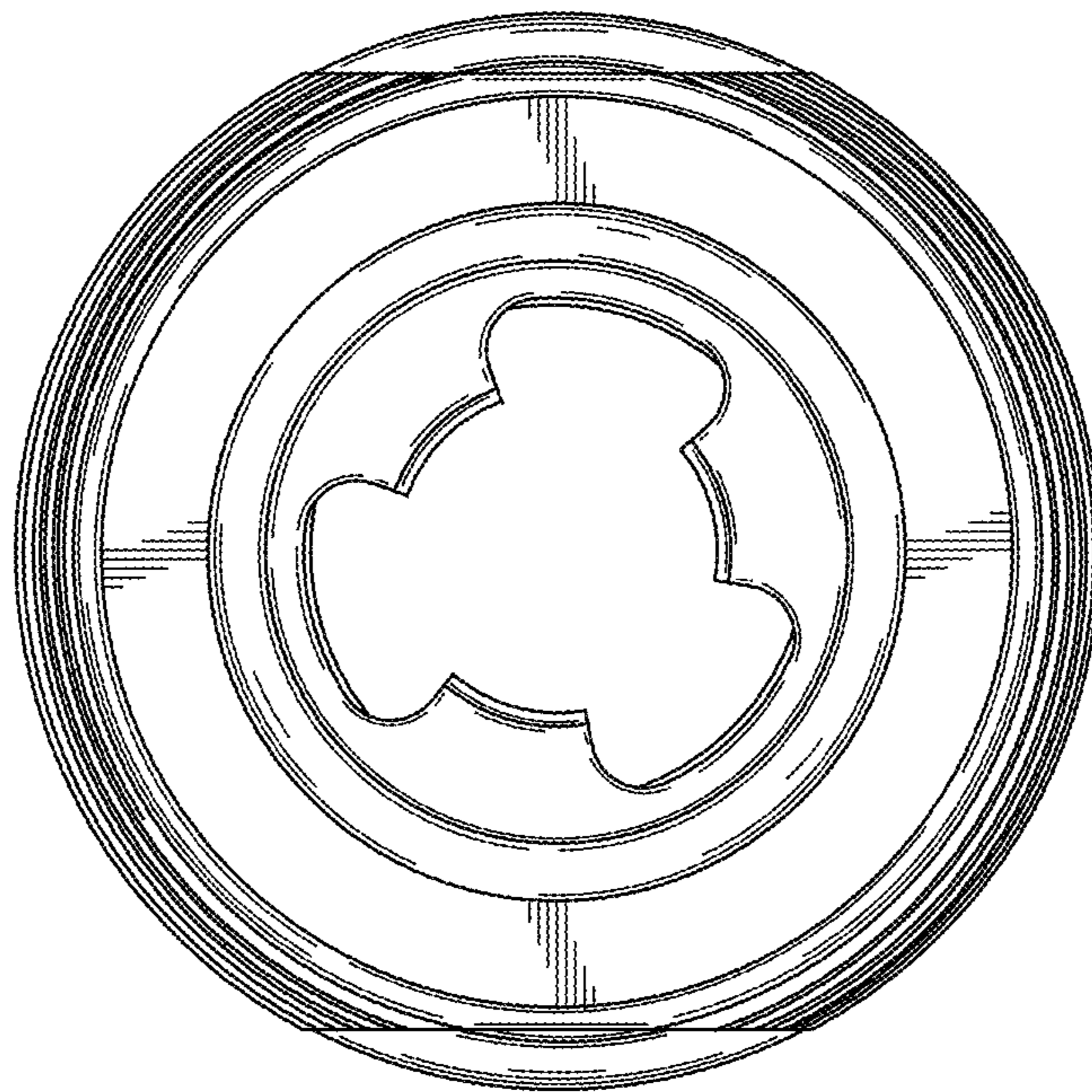


FIG. 8