



US00D748169S

(12) **United States Design Patent**
Tomoda et al.

(10) **Patent No.:** **US D748,169 S**
(45) **Date of Patent:** **** Jan. 26, 2016**

(54) **THROW-AWAY TIP FOR METAL CUTTING TOOL**
(71) Applicant: **Sumitomo Electric Hardmetal Corp.**,
Itami-shi (JP)
(72) Inventors: **Yuji Tomoda**, Itami (JP); **Yasuyuki Kanada**,
Itami (JP); **Kunishige Tanaka**, Itami (JP)
(73) Assignee: **SUMITOMO ELECTRIC HARDMETAL CORP.**,
Itami-shi (JP)
(**) Term: **14 Years**
(21) Appl. No.: **29/489,377**
(22) Filed: **Apr. 29, 2014**
(30) **Foreign Application Priority Data**
Apr. 17, 2014 (JP) 2014-008431
Apr. 17, 2014 (JP) 2014-008432

(51) **LOC (10) Cl.** **15-09**
(52) **U.S. Cl.**
USPC **D15/139**
(58) **Field of Classification Search**
USPC D15/124-144; D8/16-20, 70, 90, 98;
409/137, 139-140; 407/114, 59
CPC B23C 2200/0494; B23C 2200/086;
B23C 2200/128; B23C 2200/362; B23C 5/15;
B23C 5/06; B23C 5/207; B23C 2200/367;
B23C 2200/0422; B23B 27/007; B23B
27/143; B23B 2200/321; B23B 2200/087;
B23B 2200/201
See application file for complete search history.

(56) **References Cited**

U.S. PATENT DOCUMENTS

D305,662 S * 1/1990 Niebauer 407/114
5,044,839 A * 9/1991 Takahashi B23B 27/143
407/114
5,044,840 A * 9/1991 Fouquer B23B 27/143
407/113
5,116,167 A * 5/1992 Niebauer B23B 27/143
407/114
5,180,258 A * 1/1993 Bernadic B23B 27/143
407/114
5,265,985 A * 11/1993 Boppana B23B 27/143

407/114
D362,859 S * 10/1995 Wiman D15/139
5,577,867 A * 11/1996 Paya B23B 27/141
407/114
D430,178 S * 8/2000 Hartlohner D15/139
D487,755 S * 3/2004 Kasperik D15/139
D487,757 S * 3/2004 Kasperik D15/139
D487,758 S * 3/2004 Kasperik D15/139
D487,759 S * 3/2004 Kasperik D15/139
D488,176 S * 4/2004 Kasperik D15/139
D491,588 S * 6/2004 Kasperik D15/139
D503,181 S * 3/2005 Kasperik D15/139
7,234,901 B2 * 6/2007 Ishida B23B 27/141
407/114
D636,418 S * 4/2011 Chen D15/139
7,934,891 B2 * 5/2011 Jonsson B23B 27/10
407/114
8,262,324 B2 * 9/2012 Park B23B 27/141
407/113
8,459,162 B2 * 6/2013 Kimura B23B 27/1644
407/104
2015/0016902 A1 * 1/2015 Okamura B23B 27/145
407/116
2015/0078844 A1 * 3/2015 Majima B23B 27/1607
407/114

FOREIGN PATENT DOCUMENTS

EM 002446542-0001 4/2014
EM 002446542-0002 4/2014
EM 002446542-0003 4/2014
EM 002446542-0004 4/2014
JP D801772 S 12/1990

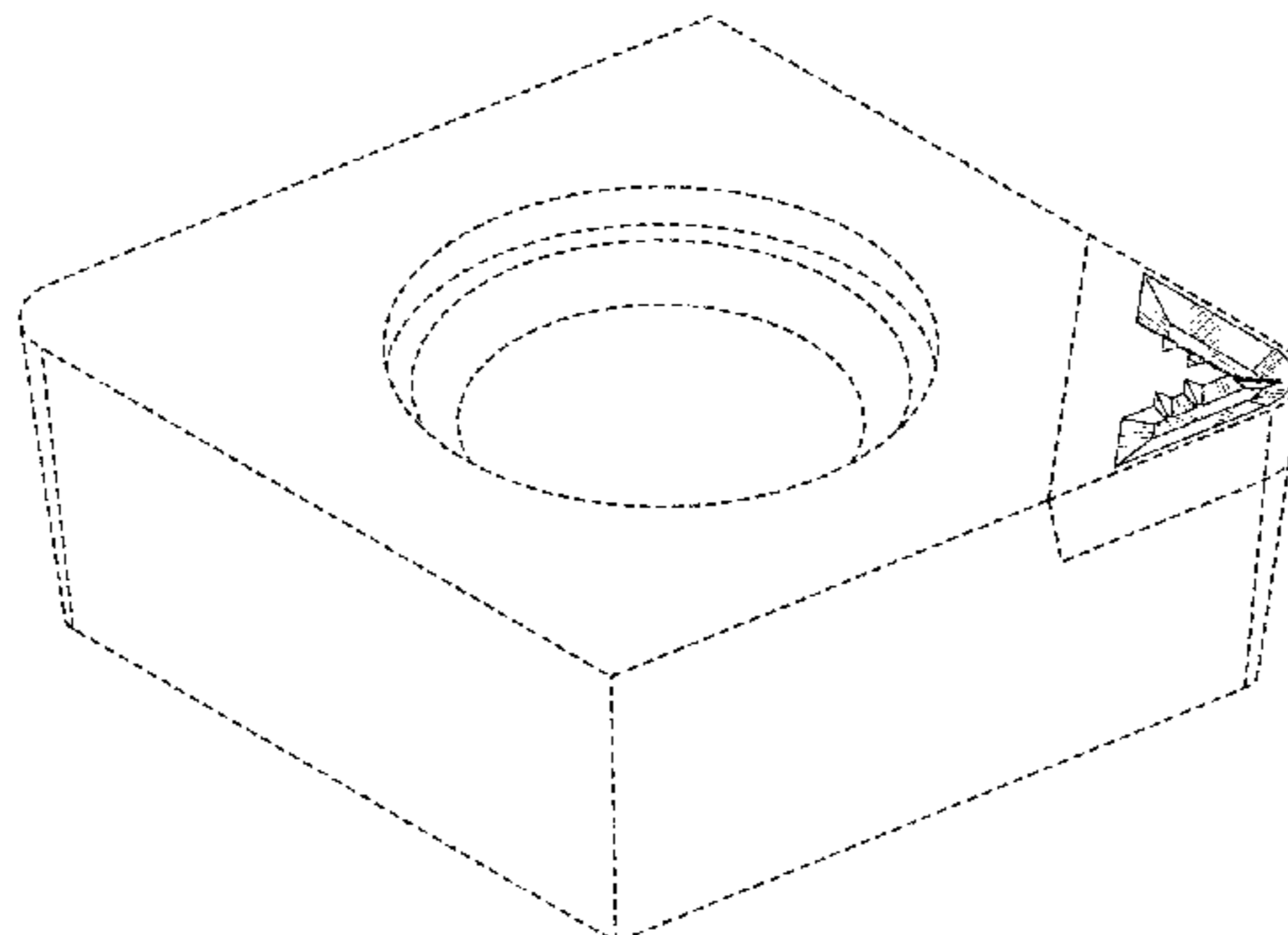
OTHER PUBLICATIONS

Tomoda et al., U.S. Appl. No. 29/488,921, filed Apr. 24, 2014.
W. W. Grainger, Inc. Item No. 4MPF7 (Japan Patent Office, Design
Department, known document No. HJ21061664).
Notice in Japanese Design Application No. 2014-008431, dated Feb.
16, 2015.
Notice in Japanese Design Application No. 2014-008432, dated Feb.
16, 2015.

* cited by examiner

Primary Examiner — Susan Bennett Hattan
Assistant Examiner — Brett Miller
(74) *Attorney, Agent, or Firm* — Venable LLP; Michael A.
Sartori; Tamatane J. Aga

(57) **CLAIM**
The ornamental design for a throw-away tip for metal cutting
tool, as shown and described.



DESCRIPTION

FIG. 1 is a front view of a first embodiment of a throw-away tip for metal cutting tool showing our new design;
FIG. 2 is a rear view thereof;
FIG. 3 is a top plan view thereof;
FIG. 4 is a bottom plan view thereof;
FIG. 5 is a right side view thereof;
FIG. 6 is a left side view thereof;
FIG. 7 is a perspective view thereof;
FIG. 8 is a sectional view taken along line 8-8 of FIG. 3 thereof;
FIG. 9 is a sectional view taken along line 9-9 of FIG. 3 thereof;
FIG. 10 is a front view of a second embodiment of a throw-away tip for metal cutting tool showing our new design;

FIG. 11 is a rear view thereof;
FIG. 12 is a top plan view thereof;
FIG. 13 is a bottom plan view thereof;
FIG. 14 is a right side view thereof;
FIG. 15 is a left side view thereof;
FIG. 16 is a perspective view thereof;
FIG. 17 is a sectional view taken along line 17-17 of FIG. 12 thereof; and,
FIG. 18 is a sectional view taken along line 18-18 of FIG. 12 thereof.
The broken lines shown in the drawings represent portions of the throw-away tip for metal cutting tool that form no part of the claimed design.

1 Claim, 10 Drawing Sheets

FIG.1



FIG.2

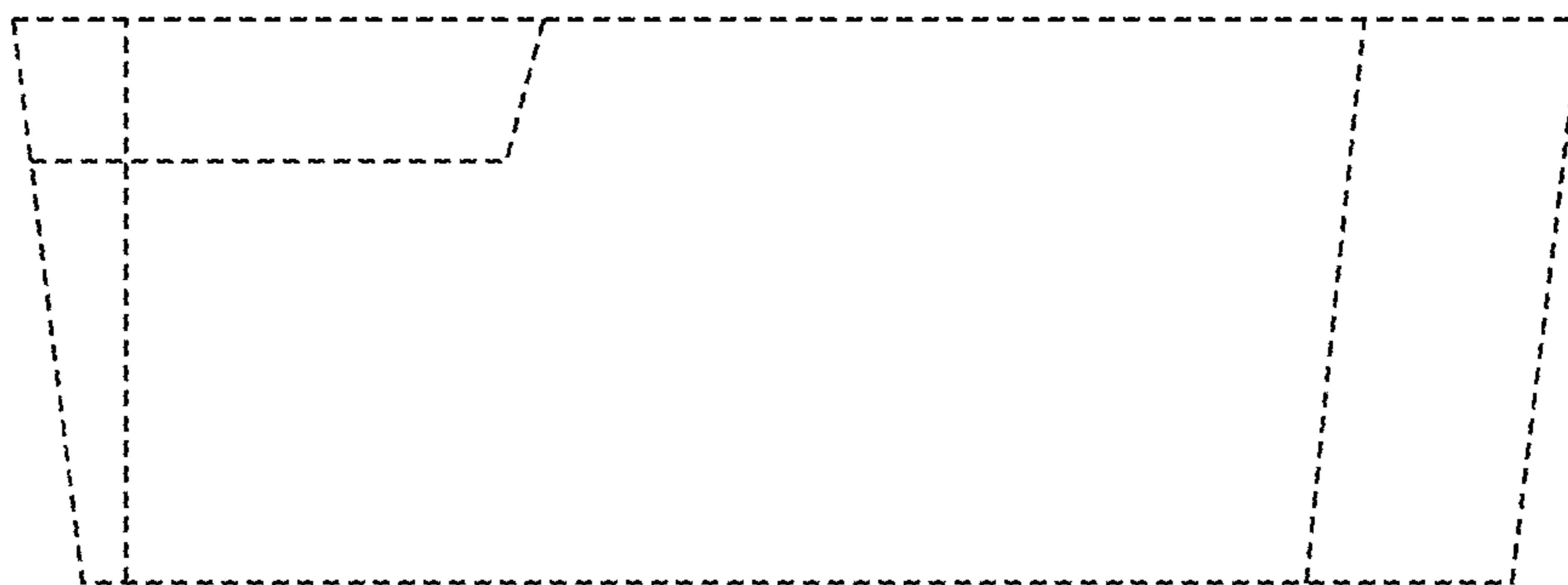


FIG.3

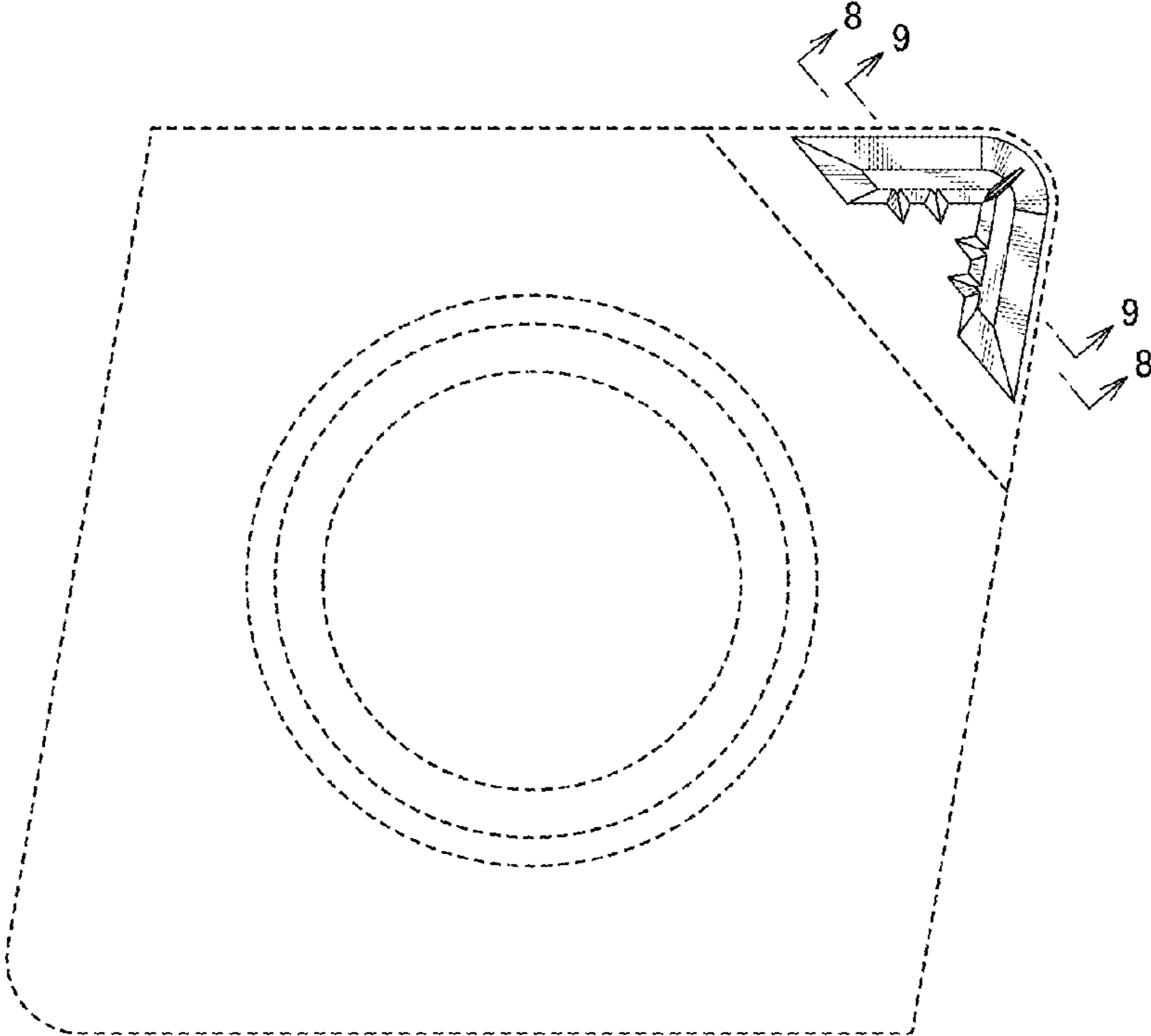


FIG.4

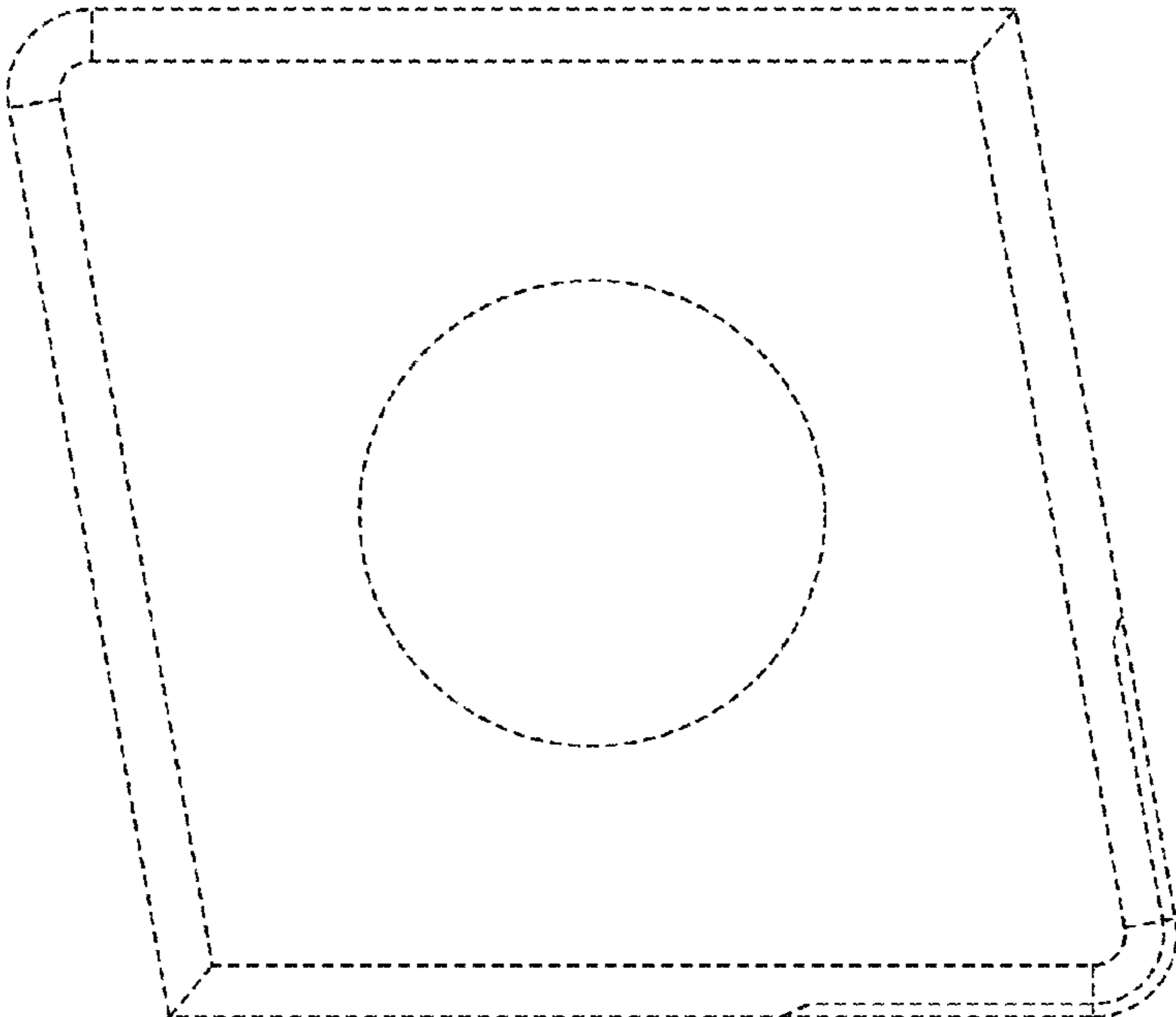


FIG.5

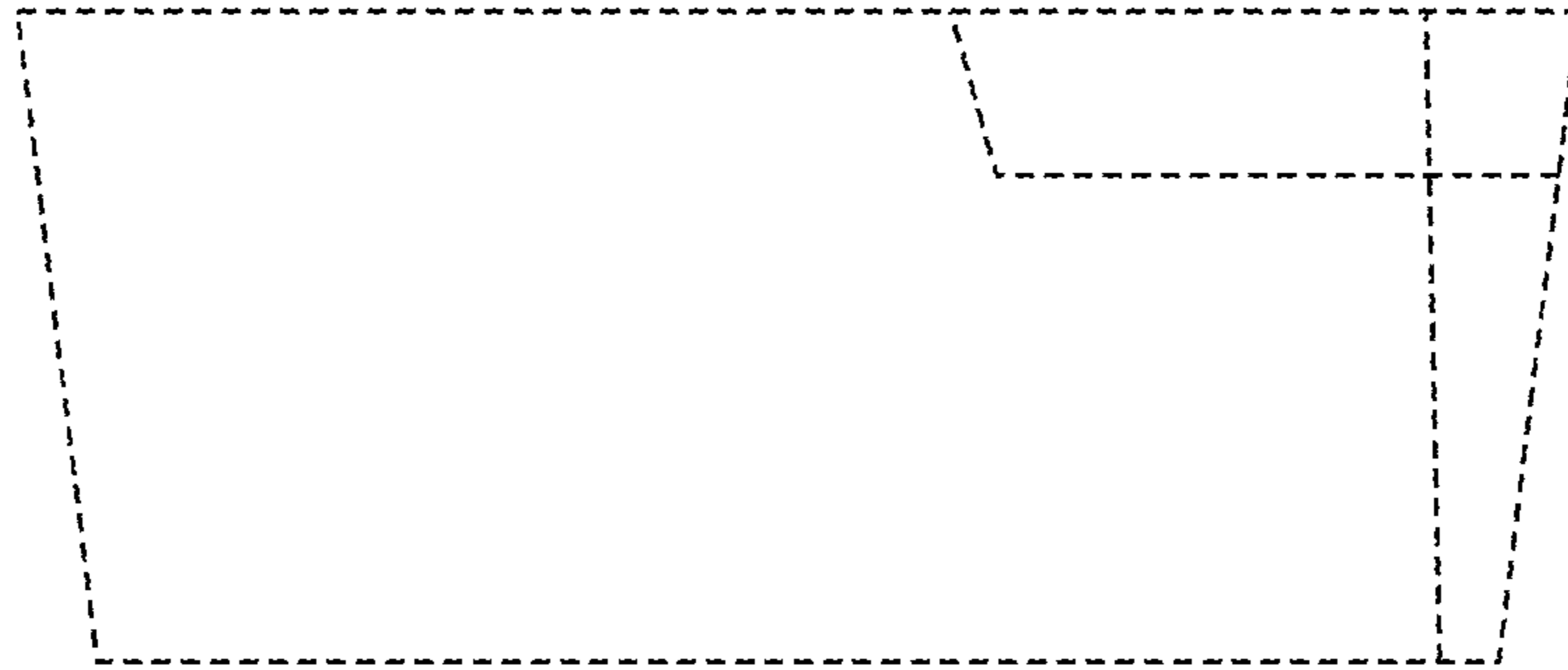


FIG.6



FIG.7

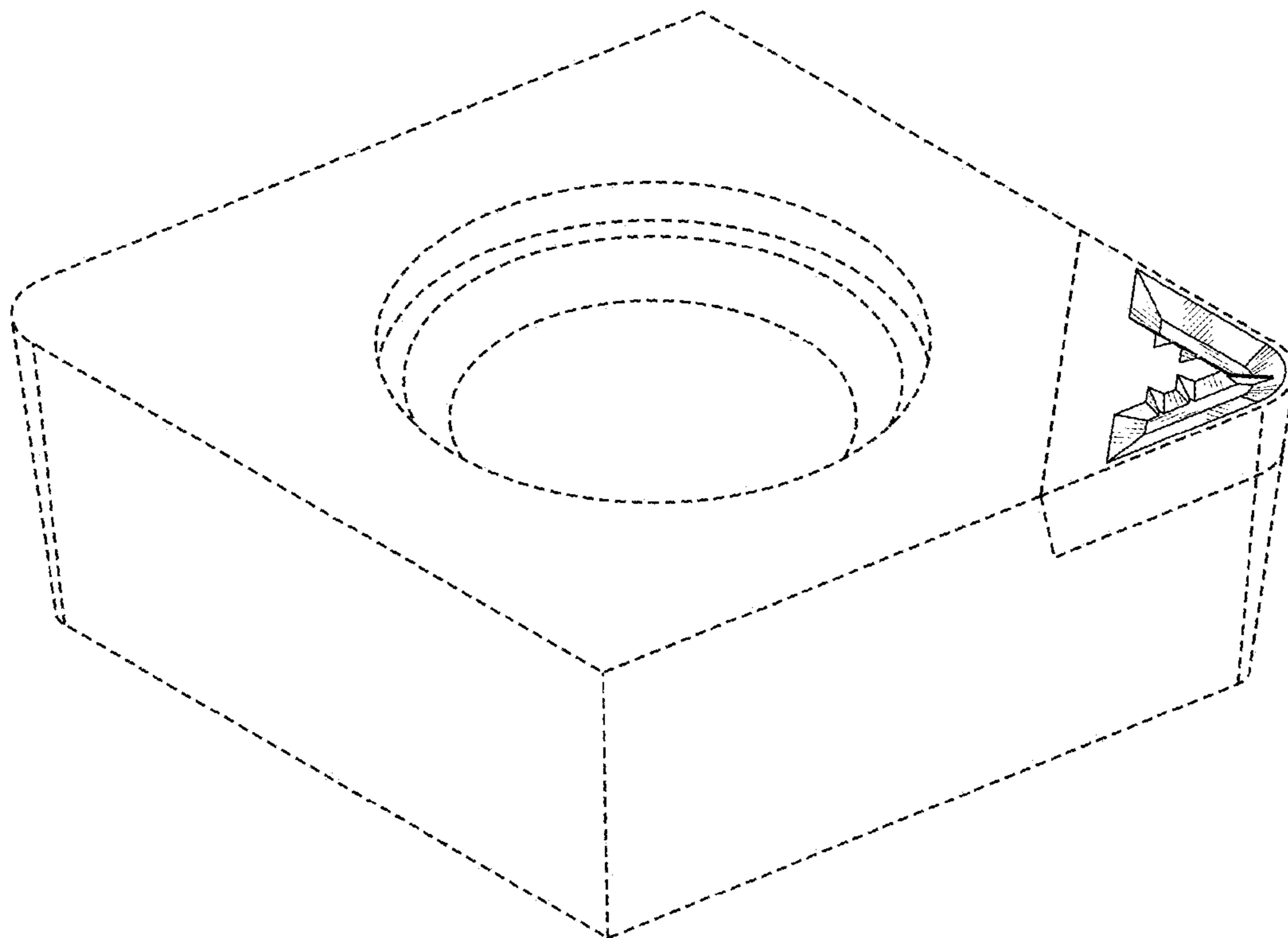


FIG.8

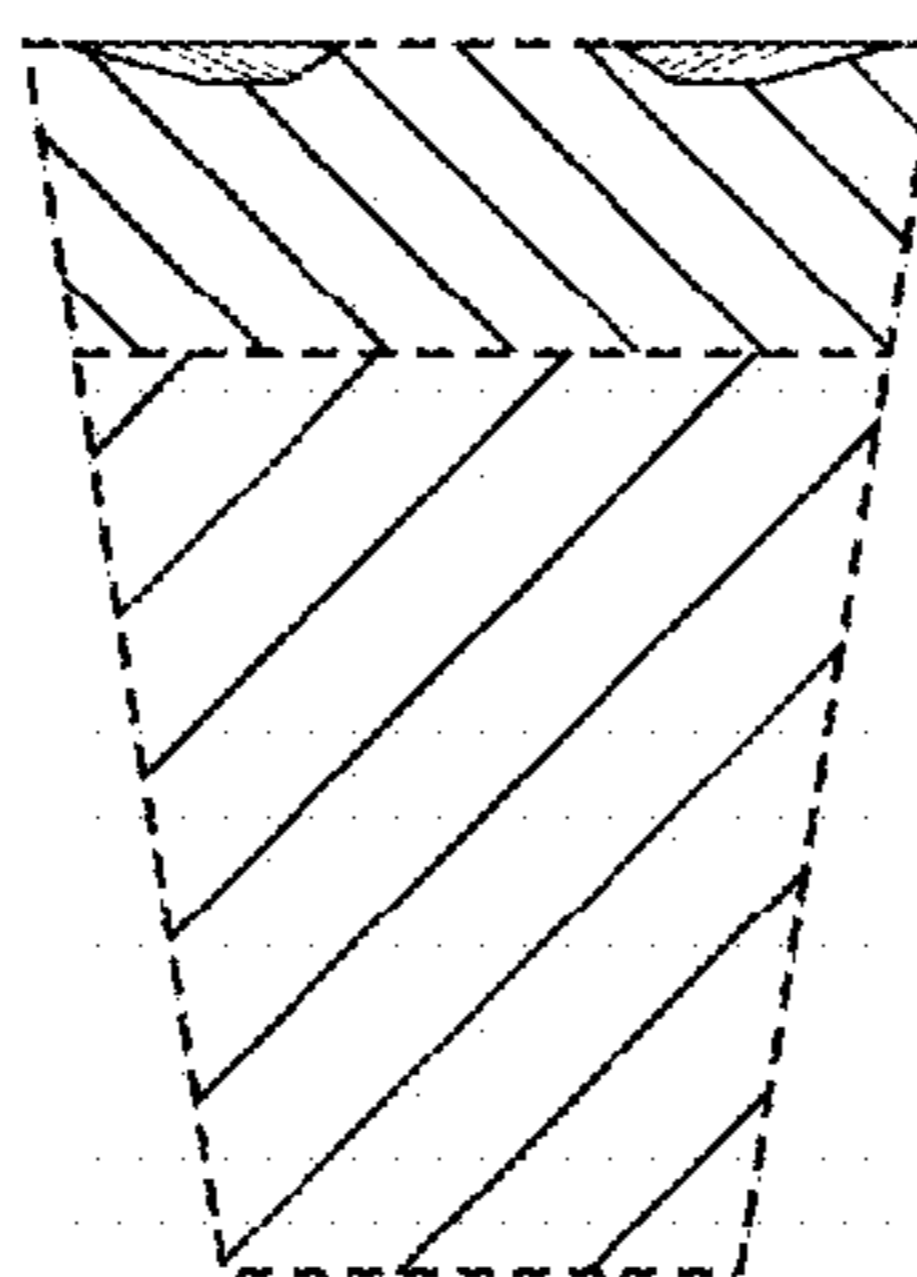


FIG.9

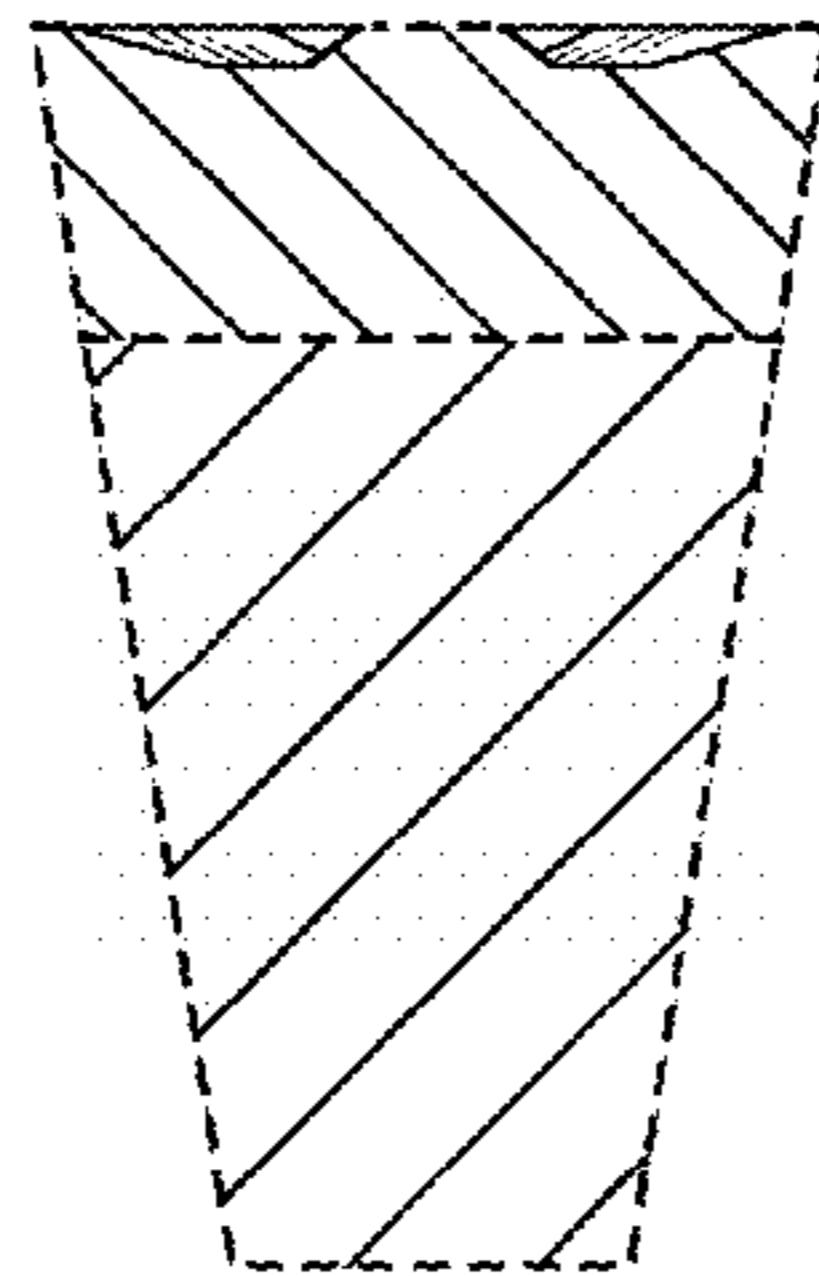


FIG.10



FIG.11



FIG.12

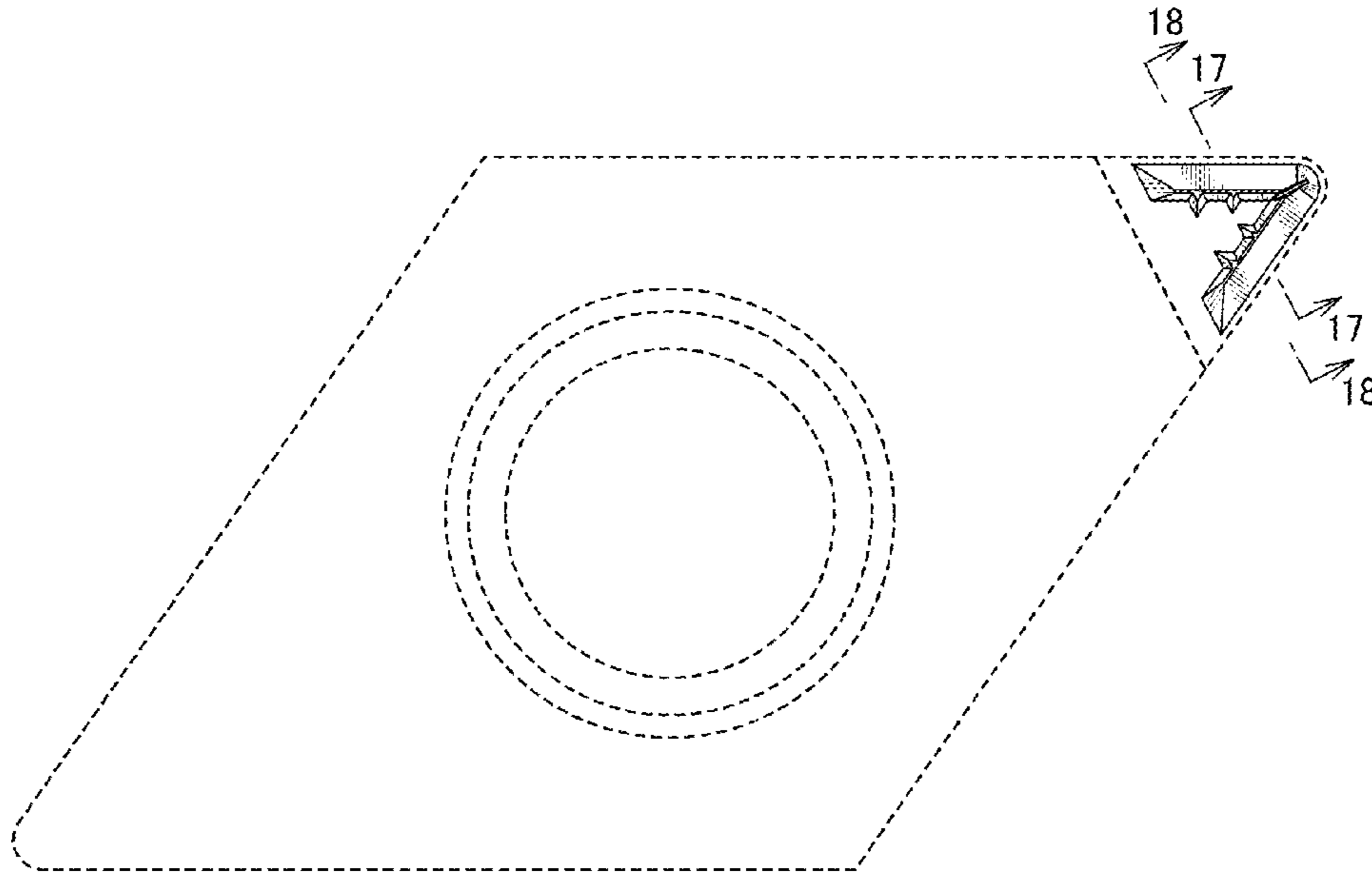


FIG.13

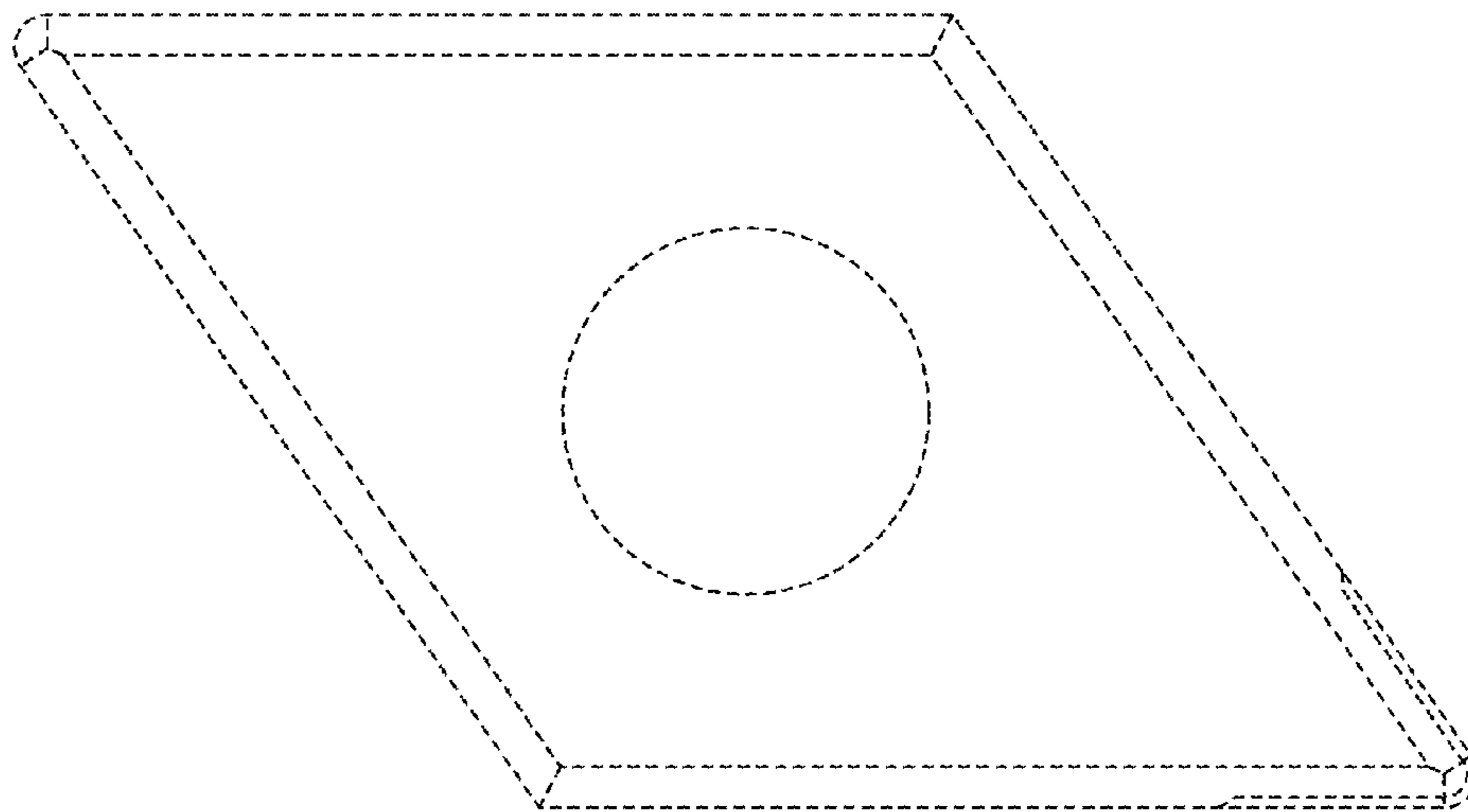


FIG.14

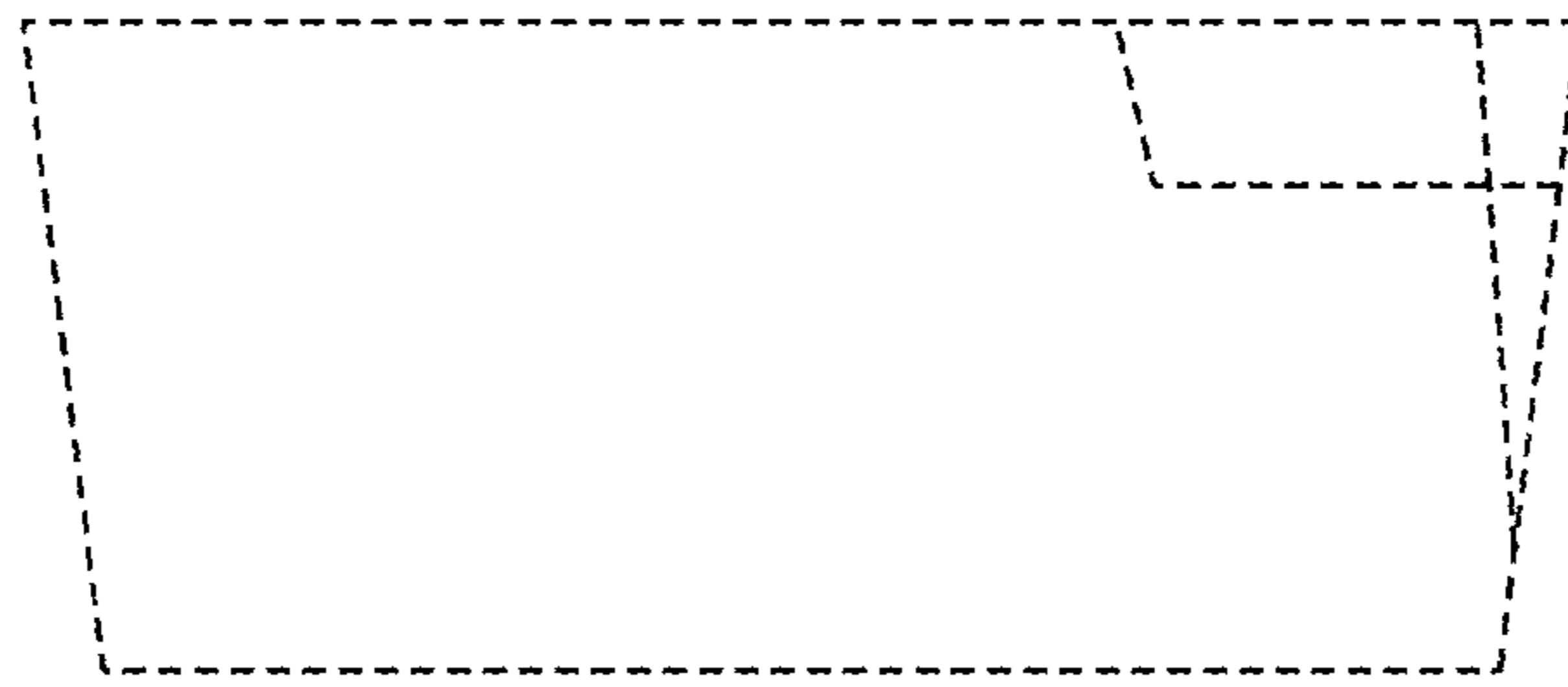


FIG.15



FIG.16

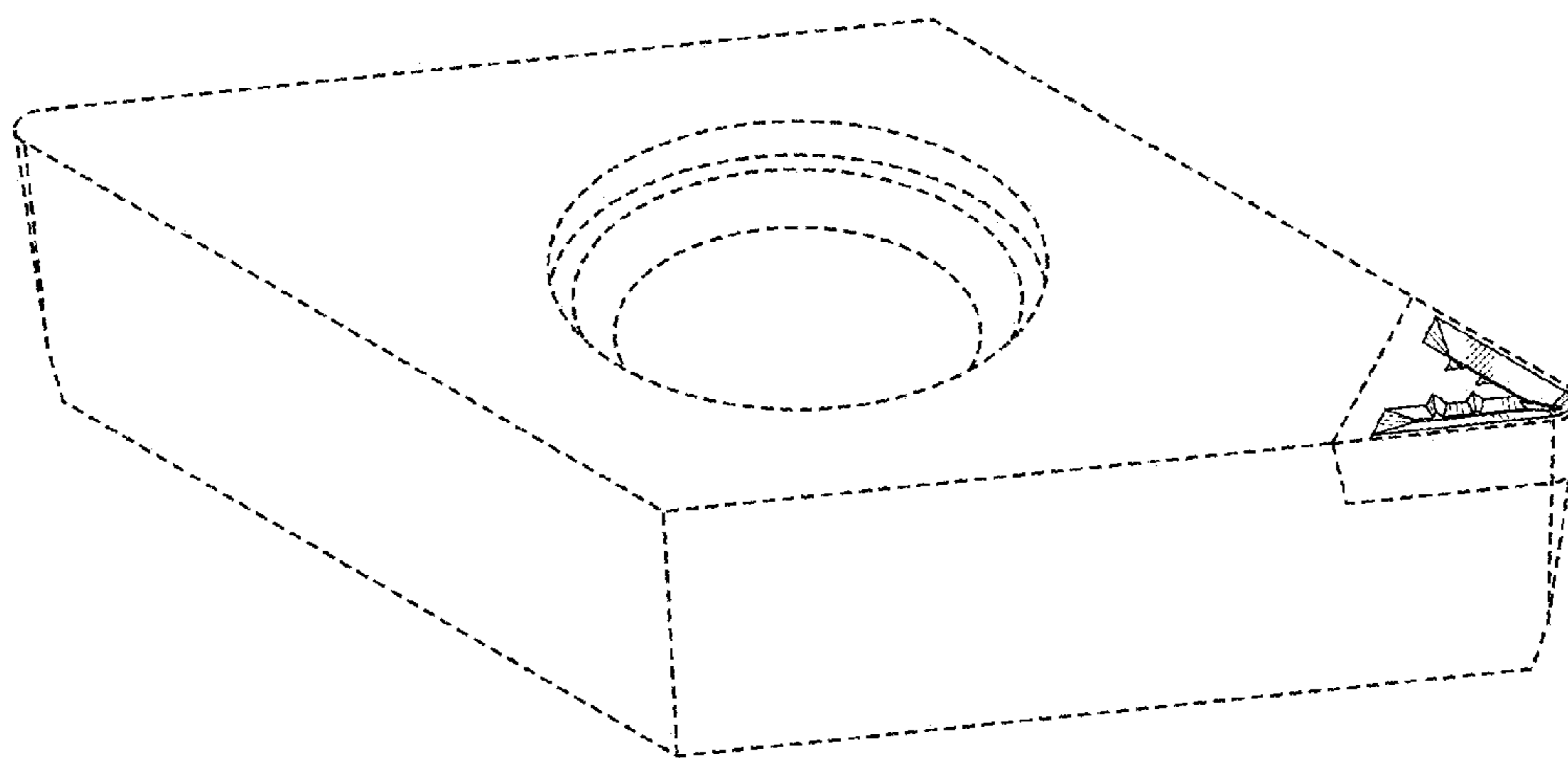


FIG.17

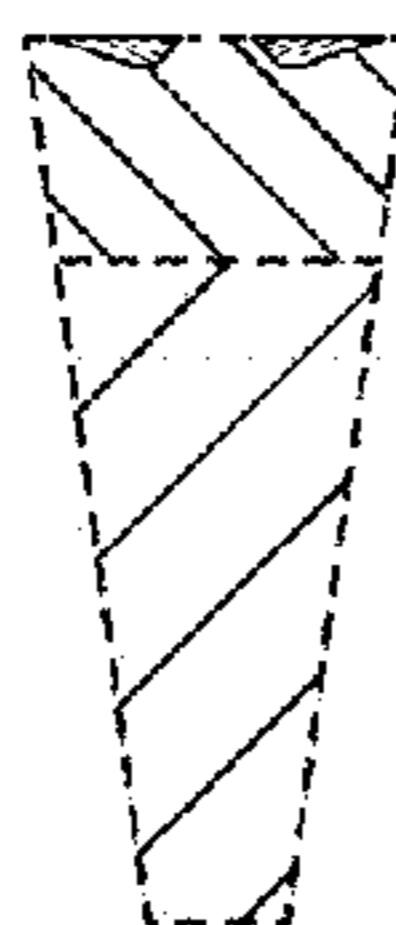


FIG. 18

