



US00D748165S

(12) **United States Design Patent**  
**McConnell et al.**

(10) **Patent No.:** **US D748,165 S**

(45) **Date of Patent:** **\*\* Jan. 26, 2016**

(54) **DOOR BIN**

(71) Applicant: **Whirlpool Corporation**, Benton Harbor, MI (US)

(72) Inventors: **Jessica R. McConnell**, St. Joseph, MI (US); **Daniel Henry Quinlan**, Stevensville, MI (US); **Kelly E. Roche**, St. Joseph, MI (US); **Michael S. Seeley**, South Haven, MI (US)

(73) Assignee: **Whirlpool Corporation**, Benton Harbor, MI (US)

(\*\*) Term: **14 Years**

(21) Appl. No.: **29/485,380**

(22) Filed: **Mar. 18, 2014**

(51) **LOC (10) Cl.** ..... **15-07**

(52) **U.S. Cl.**  
USPC ..... **D15/89**

(58) **Field of Classification Search**  
USPC ..... D15/79-91  
CPC ..... F25D 23/028; F25D 23/02; F25D 25/025; F25D 23/00; F25D 2323/021; F25D 11/00; F25D 2323/024; F25D 23/04; F25D 29/00; F25D 25/02; F25D 25/024; F25D 27/005; F25D 23/12; F25D 29/005; F25D 17/042; F25D 2325/021

See application file for complete search history.

(56) **References Cited**

U.S. PATENT DOCUMENTS

D669,506	S	*	10/2012	Czach et al.	.....	D15/89
D694,288	S	*	11/2013	Hottmann et al.	.....	D15/89
D709,928	S	*	7/2014	Park et al.	.....	D15/89
D710,406	S	*	8/2014	Seo et al.	.....	D15/89

\* cited by examiner

*Primary Examiner* — Daniel Bui  
*Assistant Examiner* — Khawaja Anwar

(57) **CLAIM**

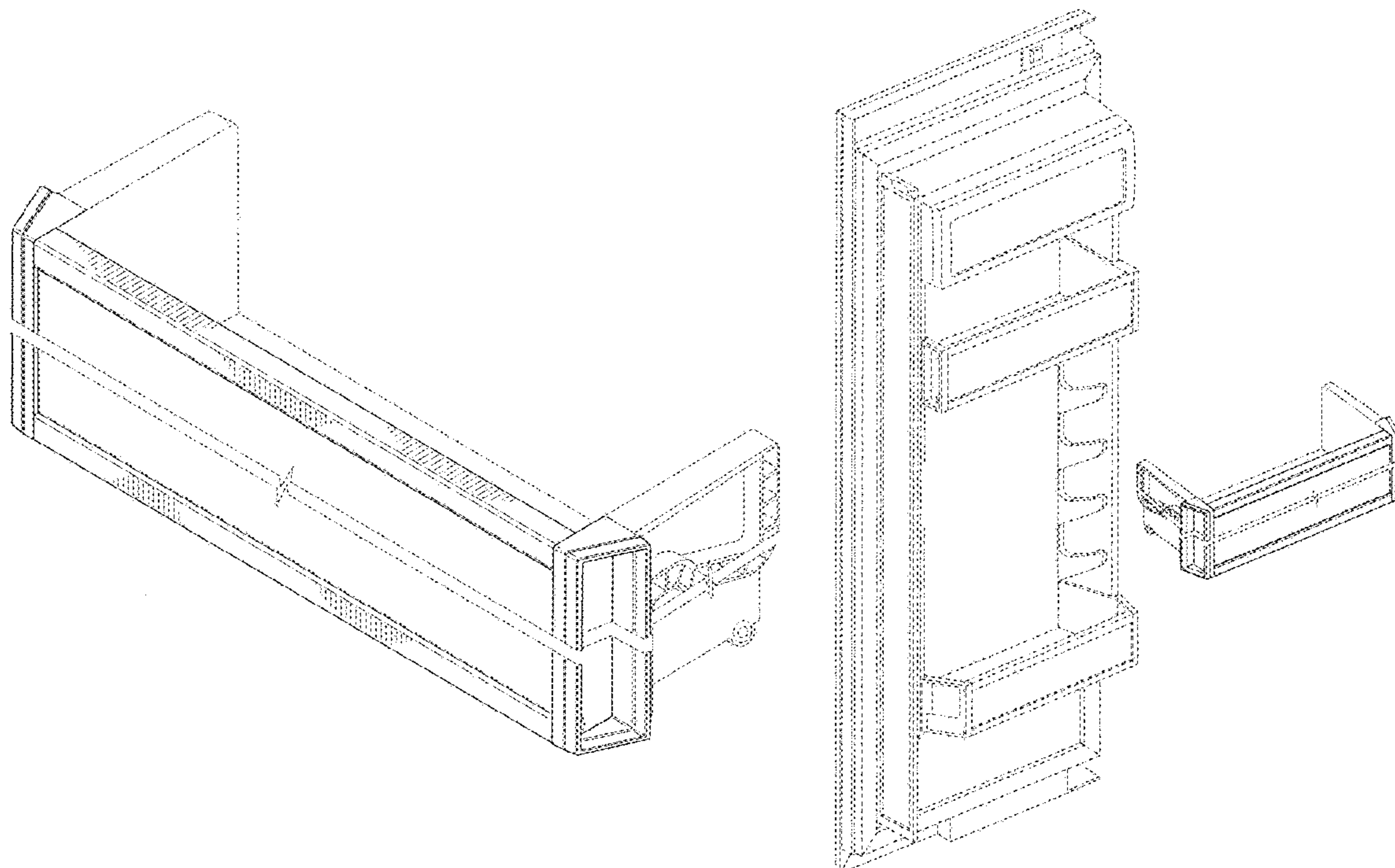
The ornamental design for a door bin, as shown and described.

**DESCRIPTION**

FIG. 1 is a perspective view of a door bin showing our new design;  
FIG. 2 is a front elevation view thereof;  
FIG. 3 is a rear elevation view thereof;  
FIG. 4 is a top plan view thereof;  
FIG. 5 is a bottom plan view thereof;  
FIG. 6 is a left side elevation view thereof;  
FIG. 7 is a right side elevation view thereof; and,  
FIG. 8 is another perspective view thereof, shown in use condition.

The broken line in the figure drawings represents unclaimed environment only and forms no part of the claimed design; the dot-dash broken line in the figure drawings represents an unclaimed boundary of the claimed design.

**1 Claim, 7 Drawing Sheets**



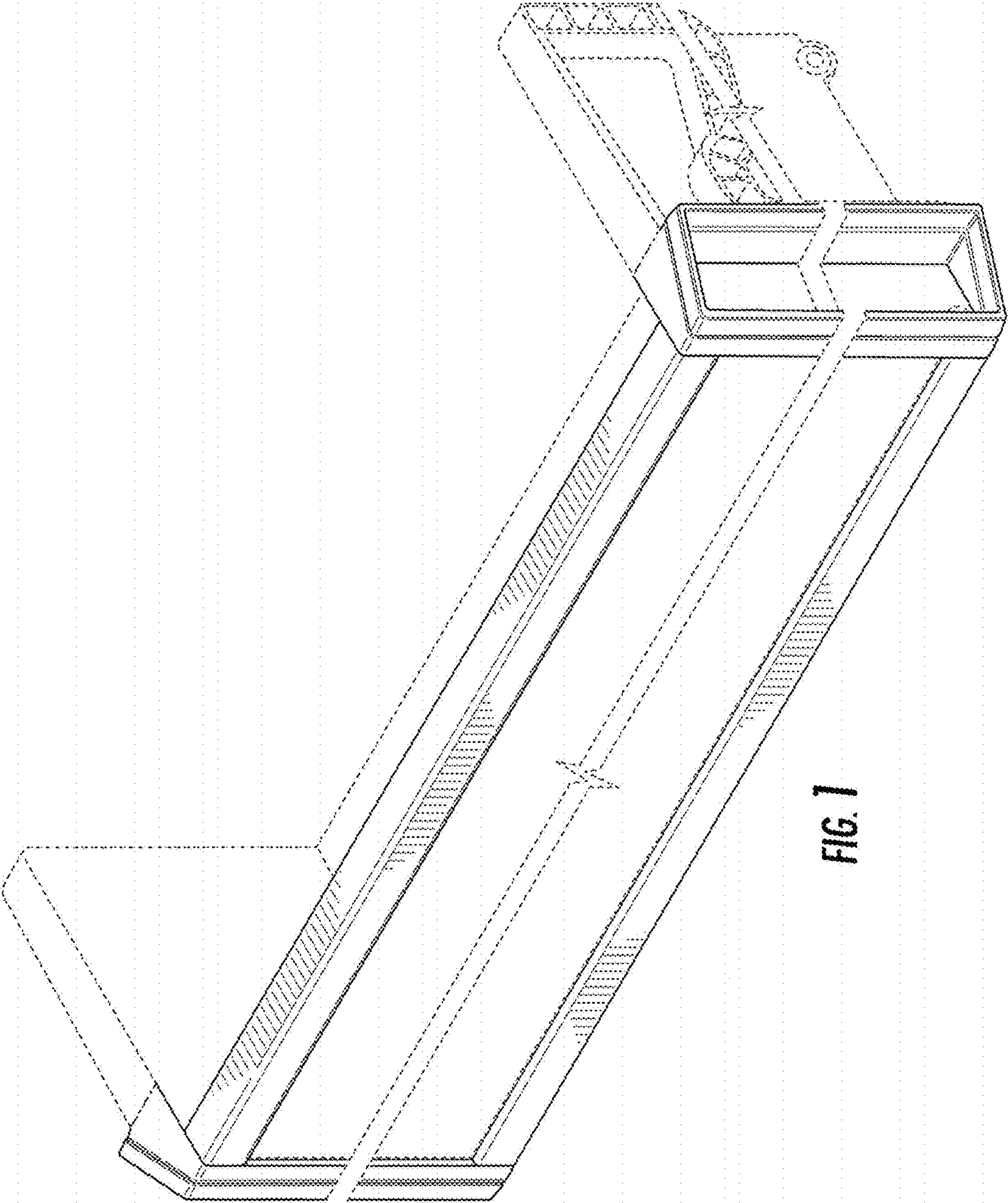


FIG. 1

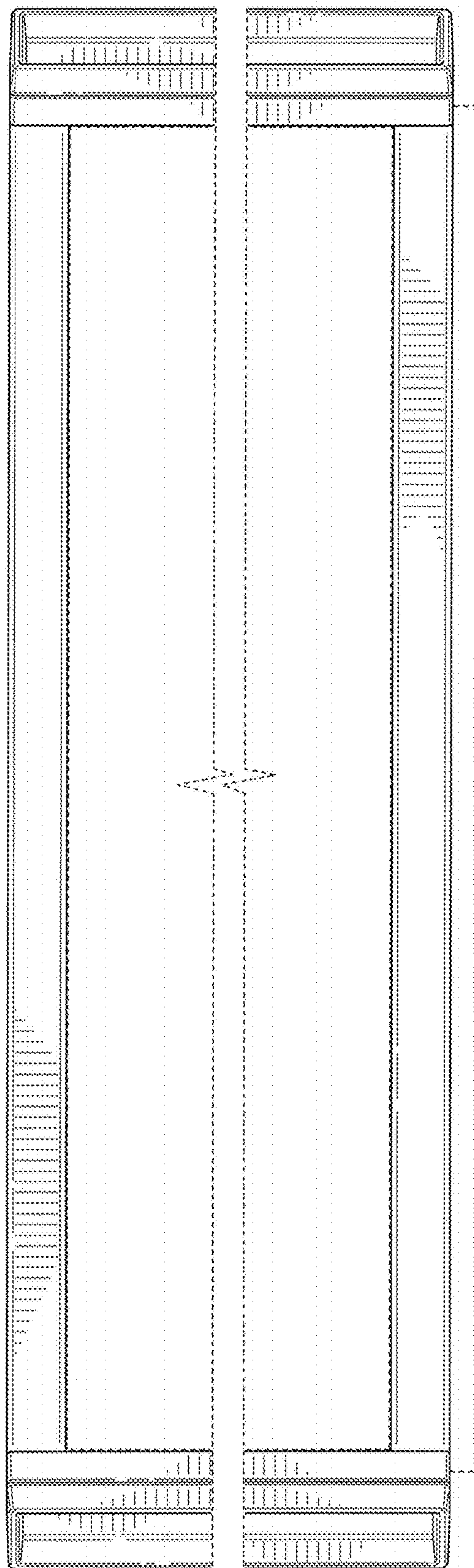


FIG. 2



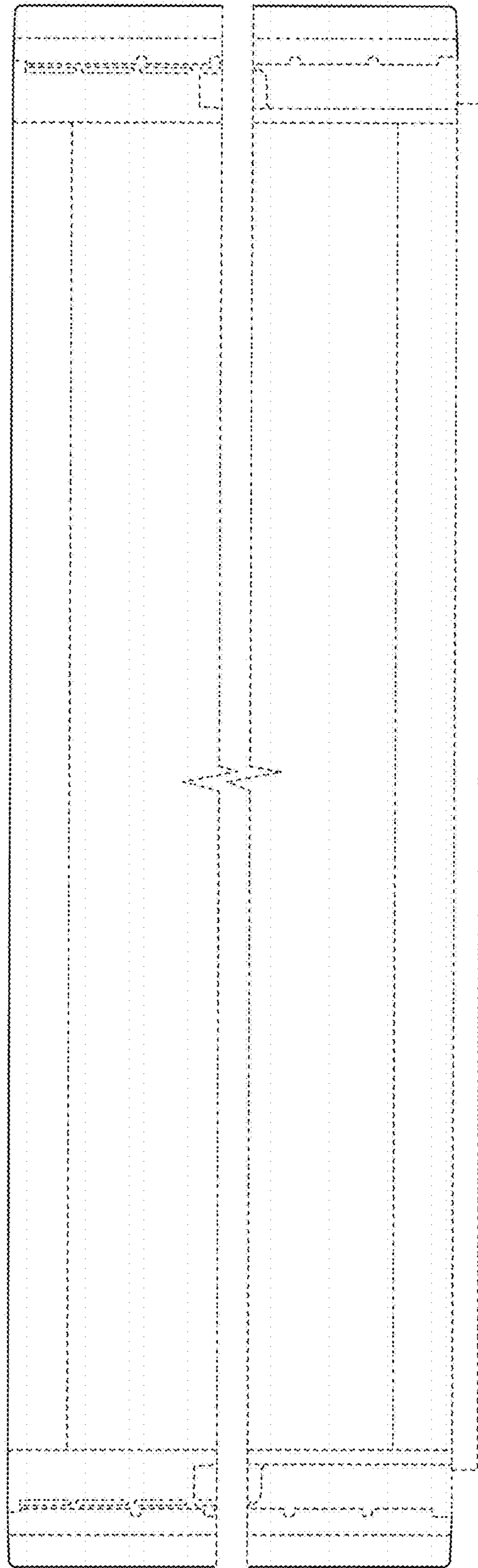


FIG. 3

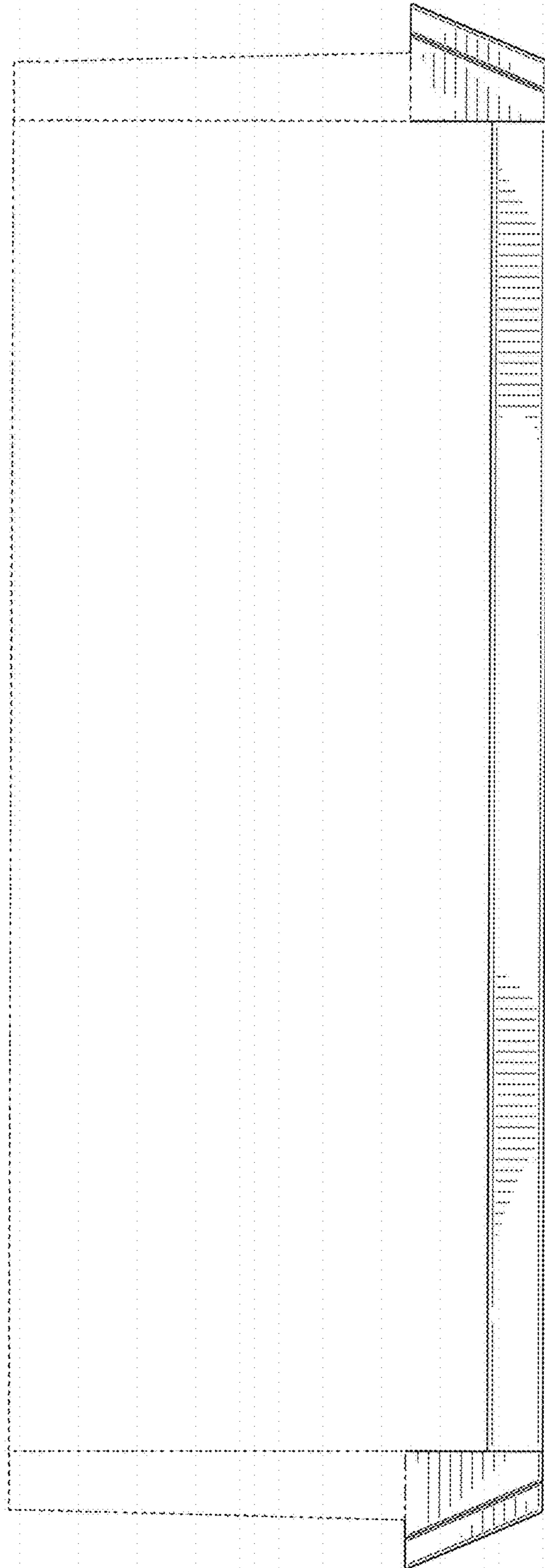


FIG. 4

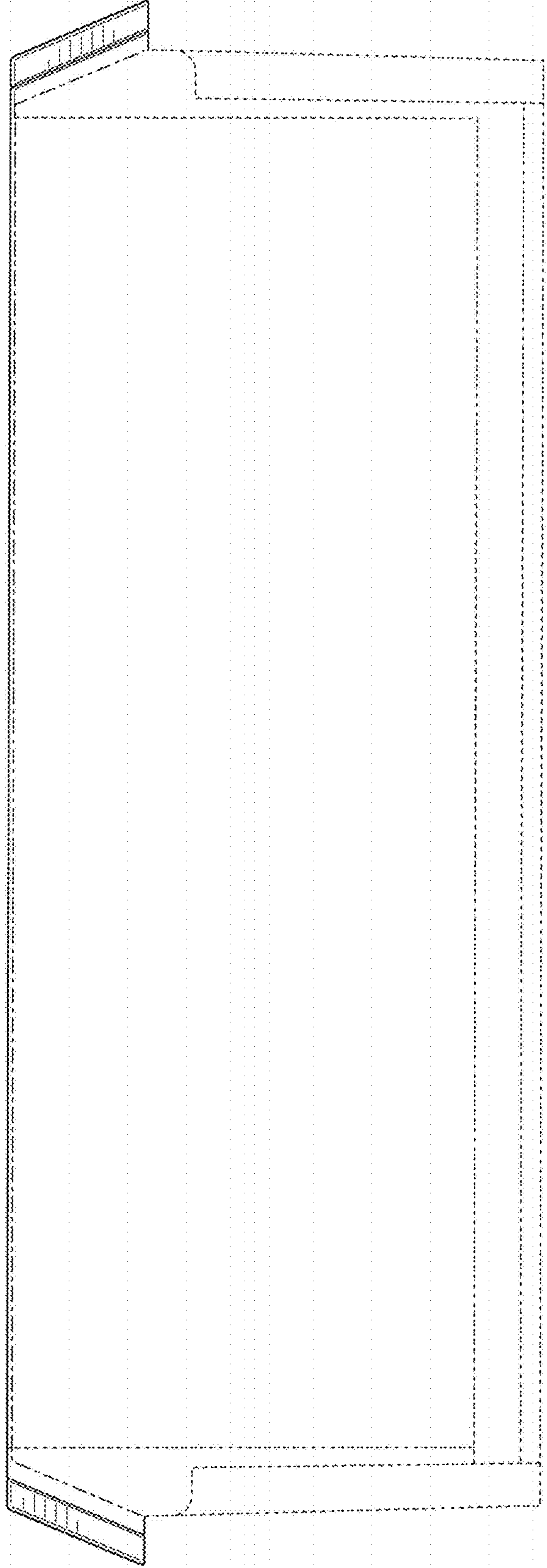


FIG. 5

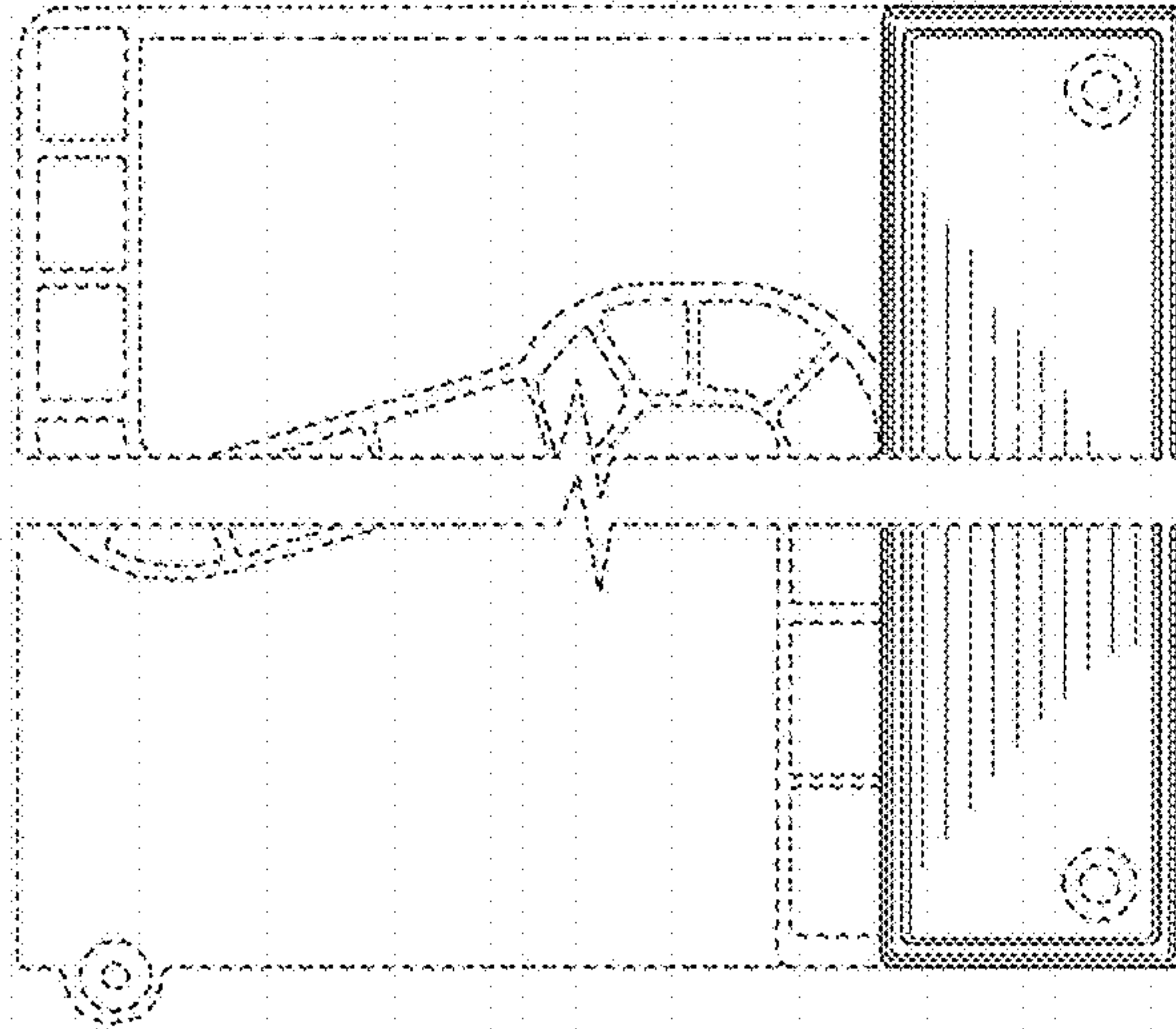


FIG. 6

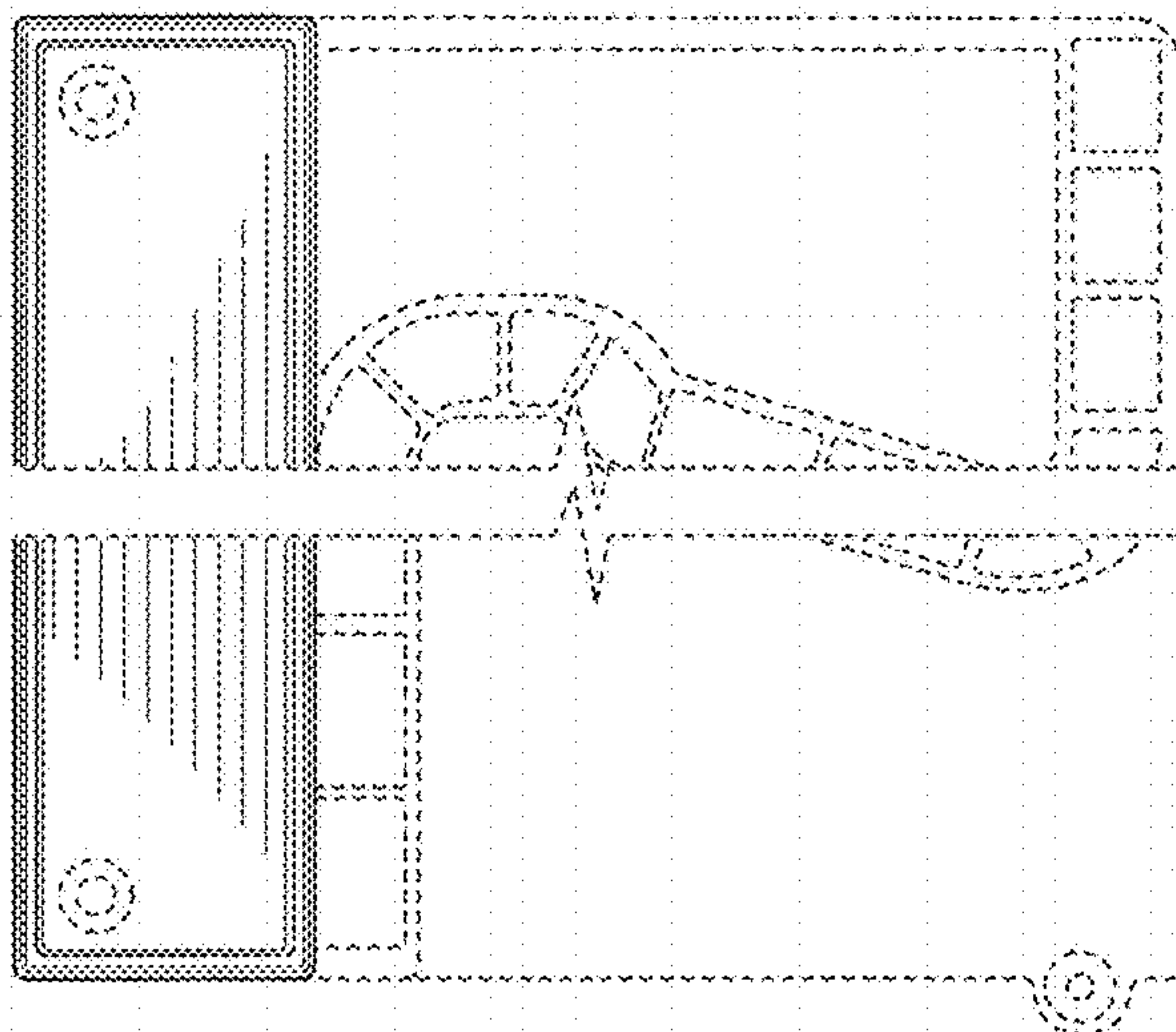


FIG. 7



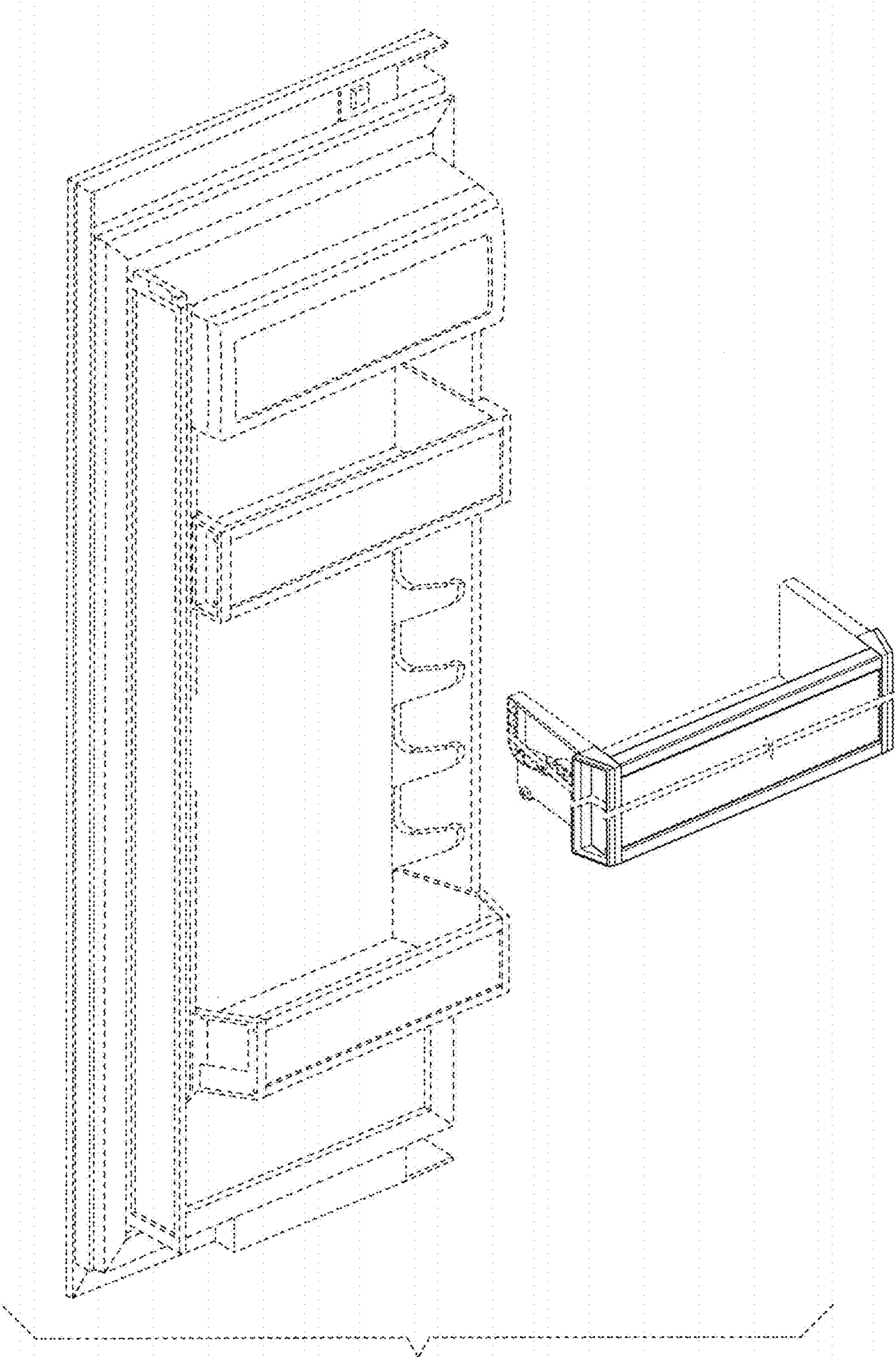


FIG. 8