



US00D748162S

(12) **United States Design Patent**  
**McConnell et al.**

(10) **Patent No.:** **US D748,162 S**  
(45) **Date of Patent:** **\*\* Jan. 26, 2016**

(54) **APPLIANCE INTERIOR WITH COLOR**

(71) Applicant: **Whirlpool Corporation**, Benton Harbor, MI (US)

(72) Inventors: **Jessica R. McConnell**, St. Joseph, MI (US); **Daniel Henry Quinlan**, Stevensville, MI (US); **Kelly E. Roche**, St. Joseph, MI (US); **Michael S. Seeley**, South Haven, MI (US)

(73) Assignee: **Whirlpool Corporation**, Benton Harbor, MI (US)

(\*\*) Term: **14 Years**

(21) Appl. No.: **29/485,366**

(22) Filed: **Mar. 18, 2014**

(51) **LOC (10) Cl.** ..... **15-07**

(52) **U.S. Cl.**  
USPC ..... **D15/89**

(58) **Field of Classification Search**

USPC ..... D15/79, 81, 84, 85, 86, 88, 89, 91  
CPC ..... F25D 2323/02; F25D 2323/021; F25D 2317/06; F25D 2317/062; F25D 2323/121; F25D 2323/122; F25D 2331/806; F25D 2400/36; F25D 13/02; F25D 13/04; F25D 11/02; F25D 11/025

See application file for complete search history.

(56) **References Cited**

**U.S. PATENT DOCUMENTS**

D508,249 S *	8/2005	Seok et al.	.....	D15/86
D511,177 S *	11/2005	Jackovin et al.	.....	D15/89
D511,179 S *	11/2005	Tunzi	.....	D15/89
D518,832 S *	4/2006	Park et al.	.....	D15/85
D629,819 S *	12/2010	Placke et al.	.....	D15/89
D639,315 S *	6/2011	Yang et al.	.....	D15/85
D647,927 S *	11/2011	Lee et al.	.....	D15/85
D654,515 S *	2/2012	Hwang et al.	.....	D15/85

(Continued)

*Primary Examiner* — Ian Simmons  
*Assistant Examiner* — Khawaja Anwar

(57) **CLAIM**

We claim the ornamental design for an appliance interior with color, as shown and described.

**DESCRIPTION**

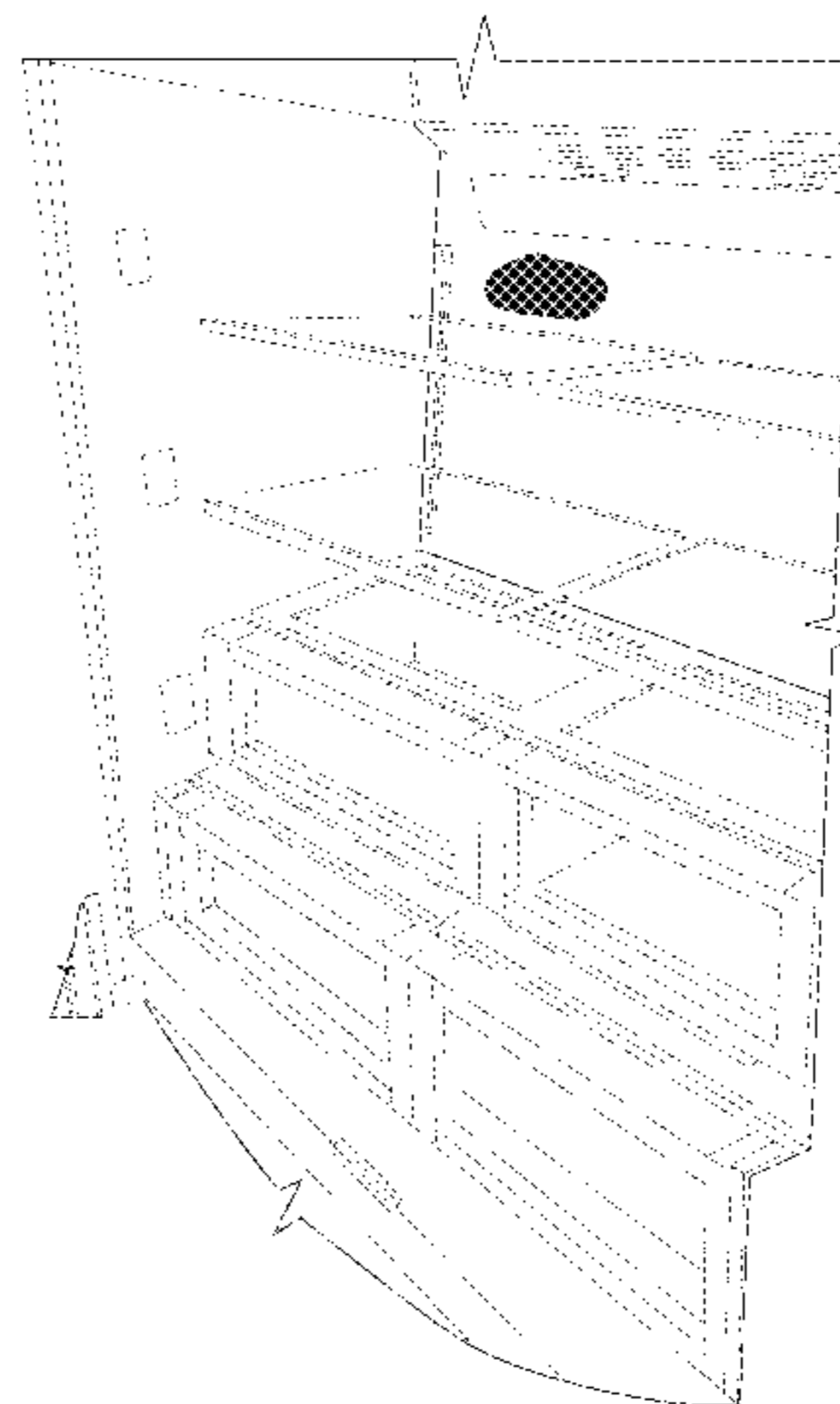
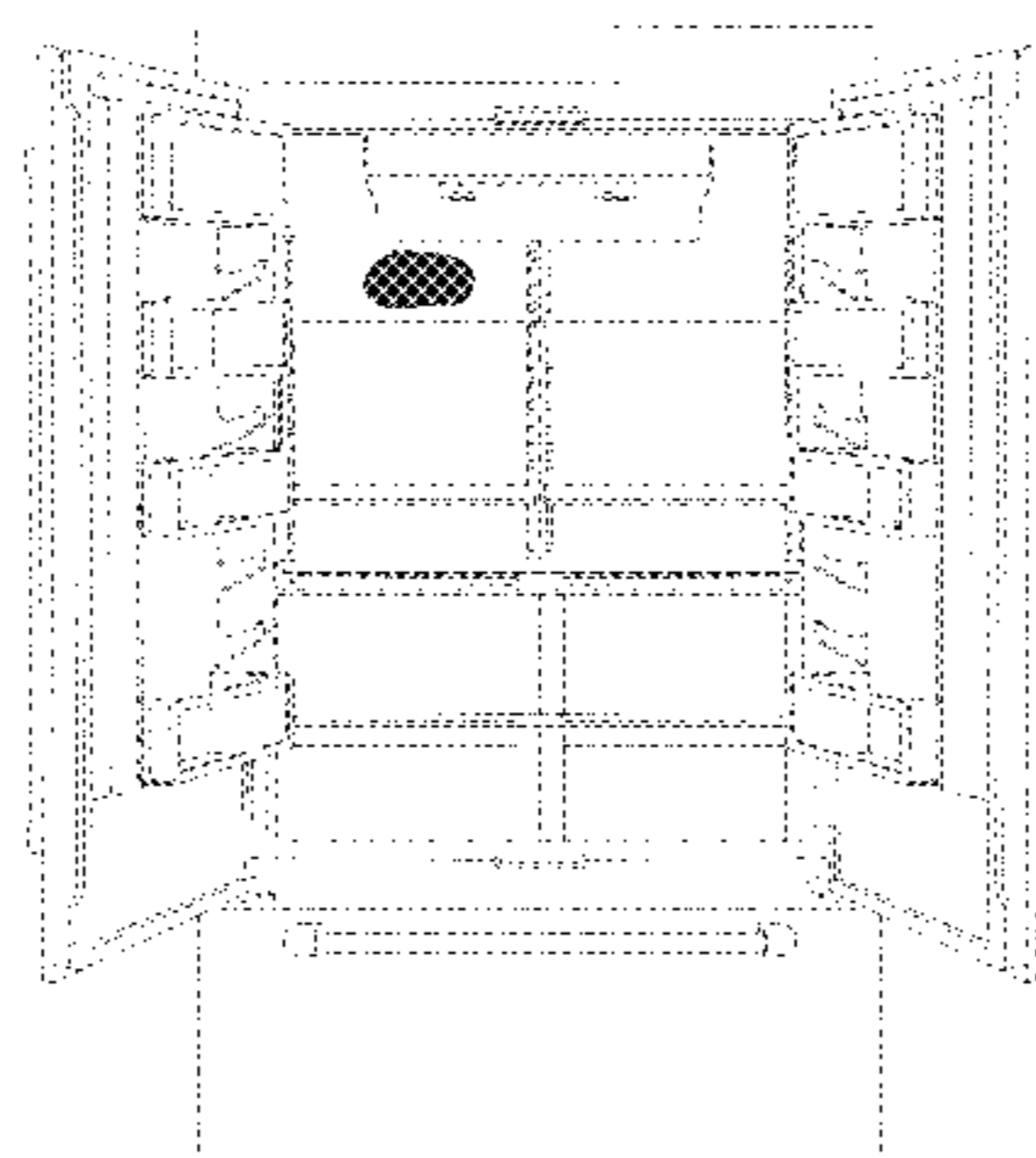
FIG. 1 is a perspective view of an appliance interior with color in a closed configuration according to our design;  
FIG. 2 is a front elevation view thereof;  
FIG. 3 is a left side elevation view thereof;  
FIG. 4 is a top plan view thereof;  
FIG. 5 is a bottom plan view thereof;  
FIG. 6 is a front elevation view of the appliance interior with color of FIG. 1 shown in an open configuration;  
FIG. 7 is an enlarged top left perspective view thereof;  
FIG. 8 is an enlarged top right perspective view thereof;  
FIG. 9 is a front elevation view thereof;  
FIG. 10 is a partial left perspective view thereof;  
FIG. 11 is a partial front elevation view thereof;  
FIG. 12 is a partial left perspective view thereof in a first use condition of the open configuration;  
FIG. 13 is a partial front elevation view of a right portion thereof;  
FIG. 14 is a partial right perspective view thereof;  
FIG. 15 is a partial front elevation view thereof;  
FIG. 16 is a partial right perspective view thereof in a second use condition of the open configuration; and  
FIG. 17 is a partial front elevation view thereof.

The broken lines in the figures are to show an environment and form no part of the claimed design.  
Dash-dot lines adjacent un-shaded areas represent bounds of the claimed design and form no part of the claimed design themselves.

The dark tone fill within the bounded area on is used to indicate a charcoal gray color having the following characteristics:

H: 0  
S: 0  
V: 28 (+/-5%).

**1 Claim, 16 Drawing Sheets**



# US D748,162 S

Page 2

---

(56)

## References Cited

### U.S. PATENT DOCUMENTS

D655,321 S \* 3/2012 Lee et al. .... D15/86  
D707,735 S \* 6/2014 Cho et al. .... D15/91  
D710,401 S \* 8/2014 Ringemann et al. .... D15/85

D710,402 S \* 8/2014 Jeon et al. .... D15/86  
D716,851 S \* 11/2014 Seo et al. .... D15/89  
D718,346 S \* 11/2014 Cho et al. .... D15/81  
D718,349 S \* 11/2014 Cho et al. .... D15/85

\* cited by examiner

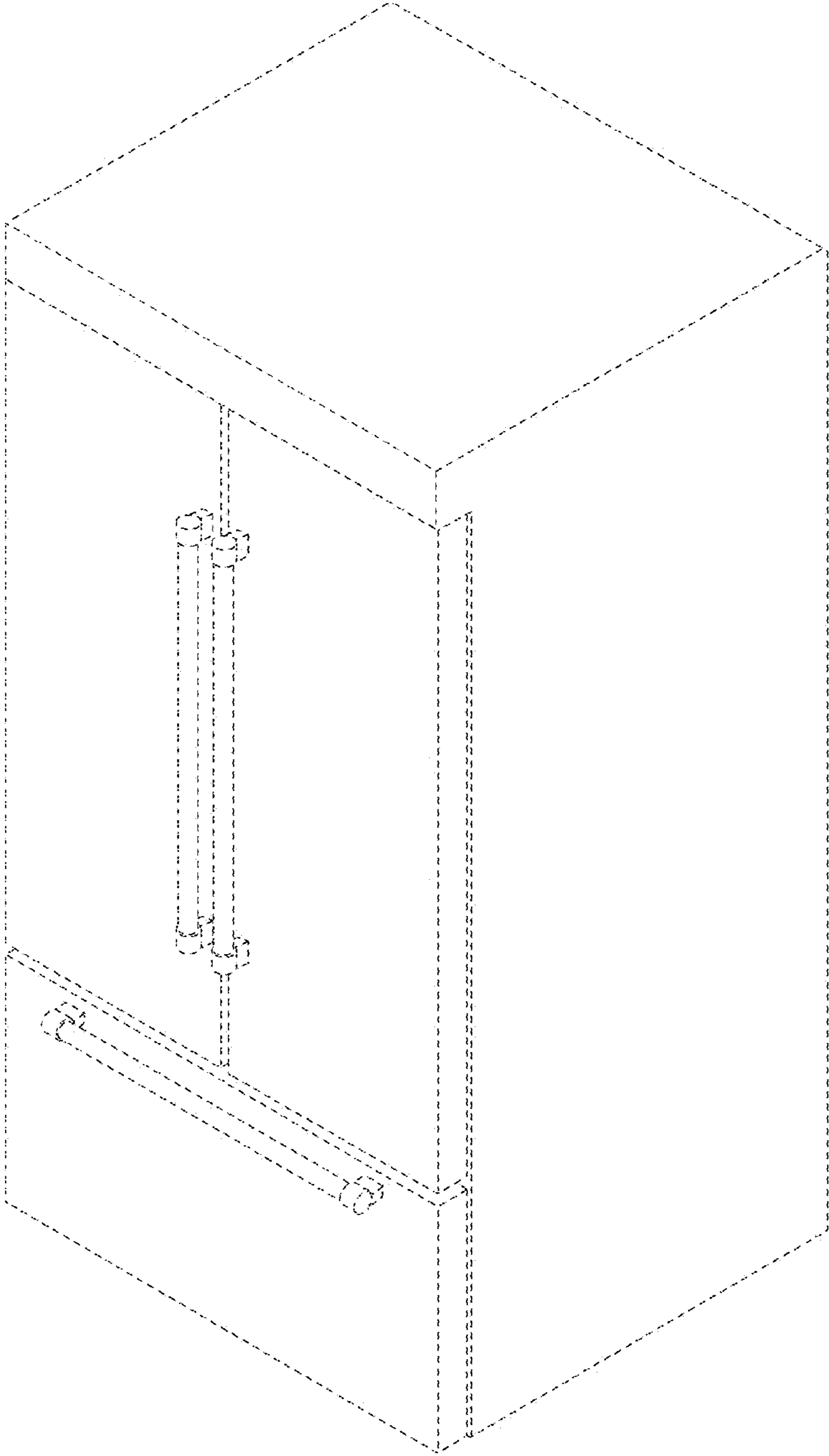


FIG. 1

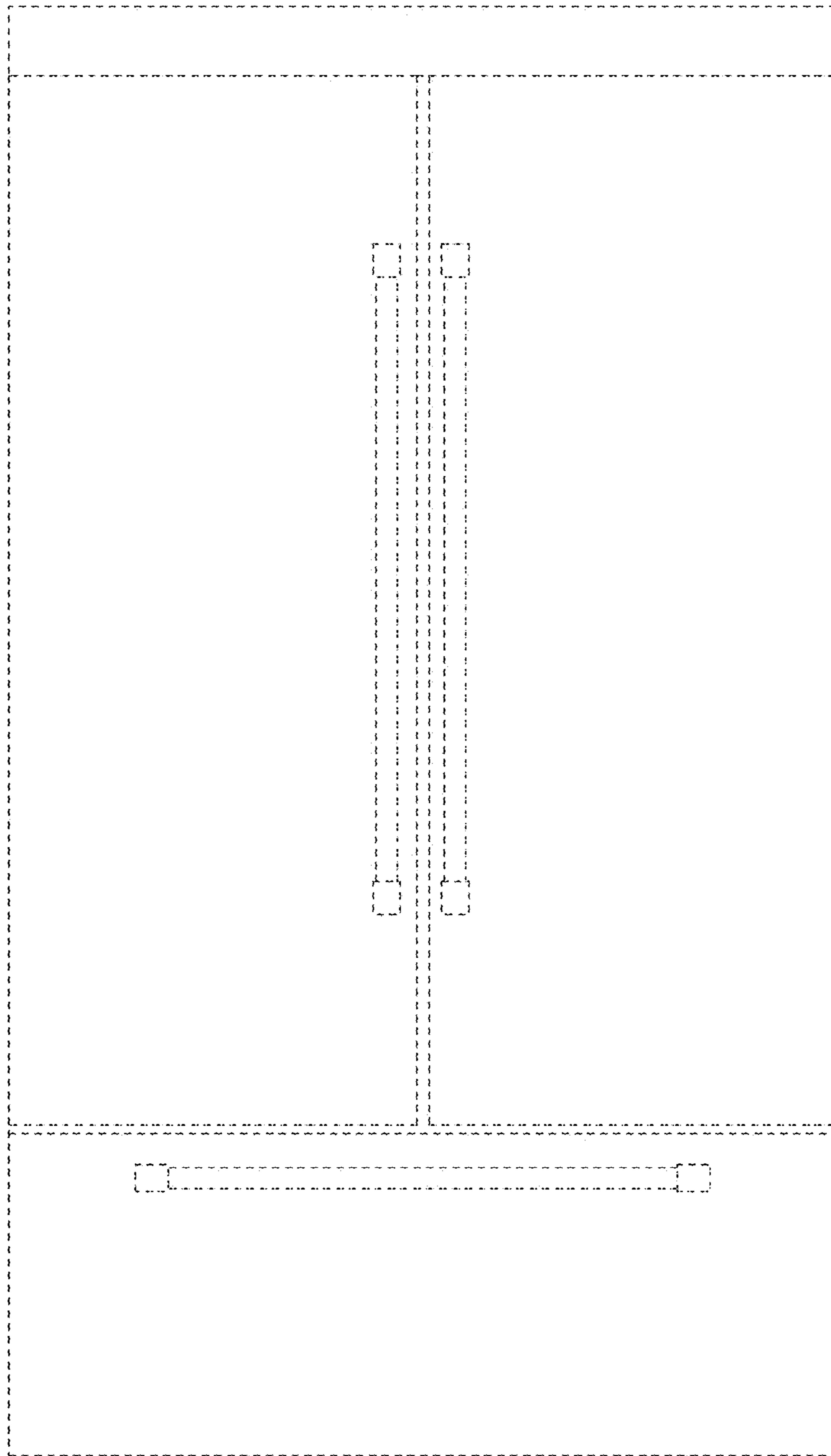


FIG. 2

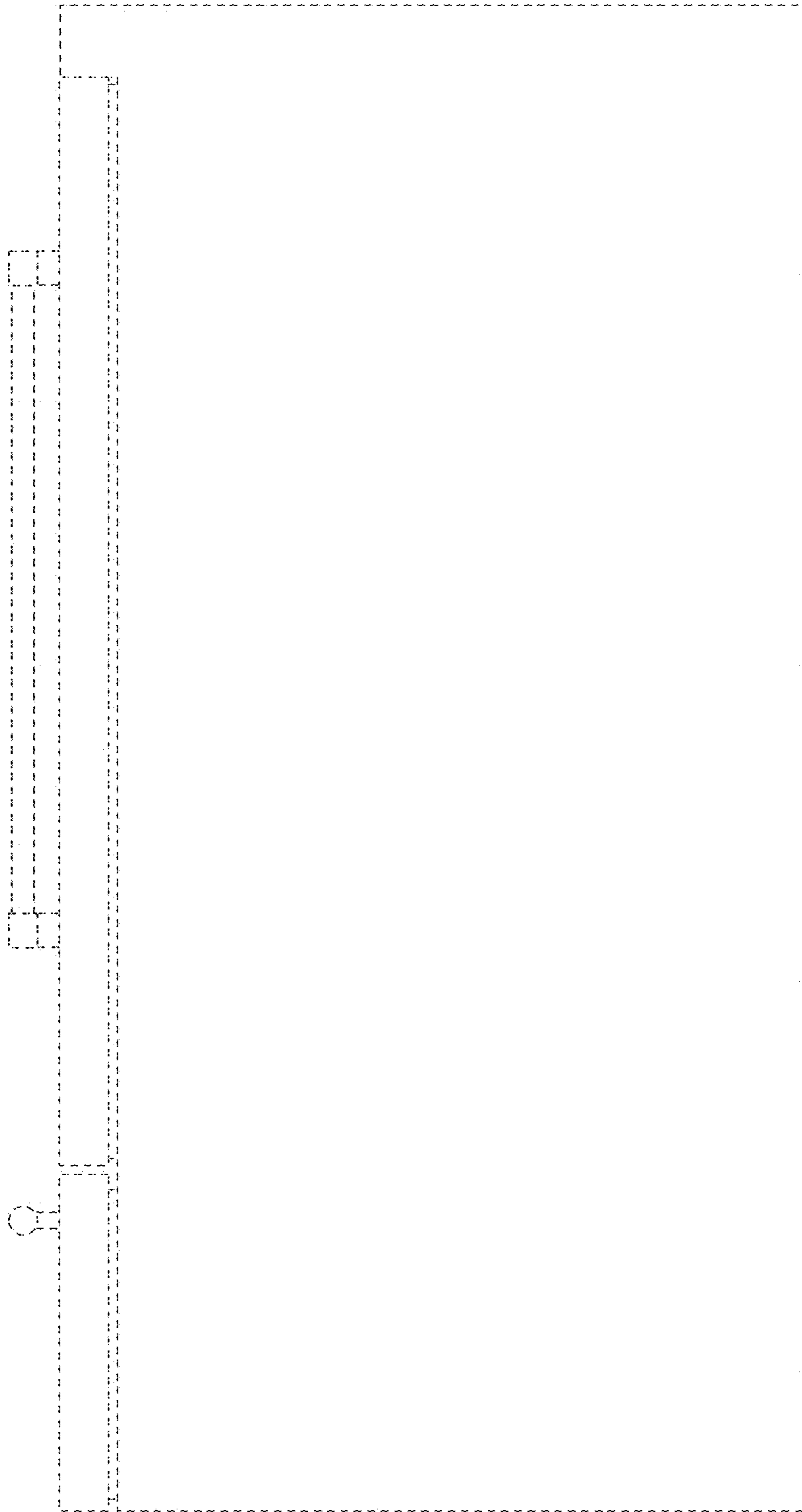


FIG. 3

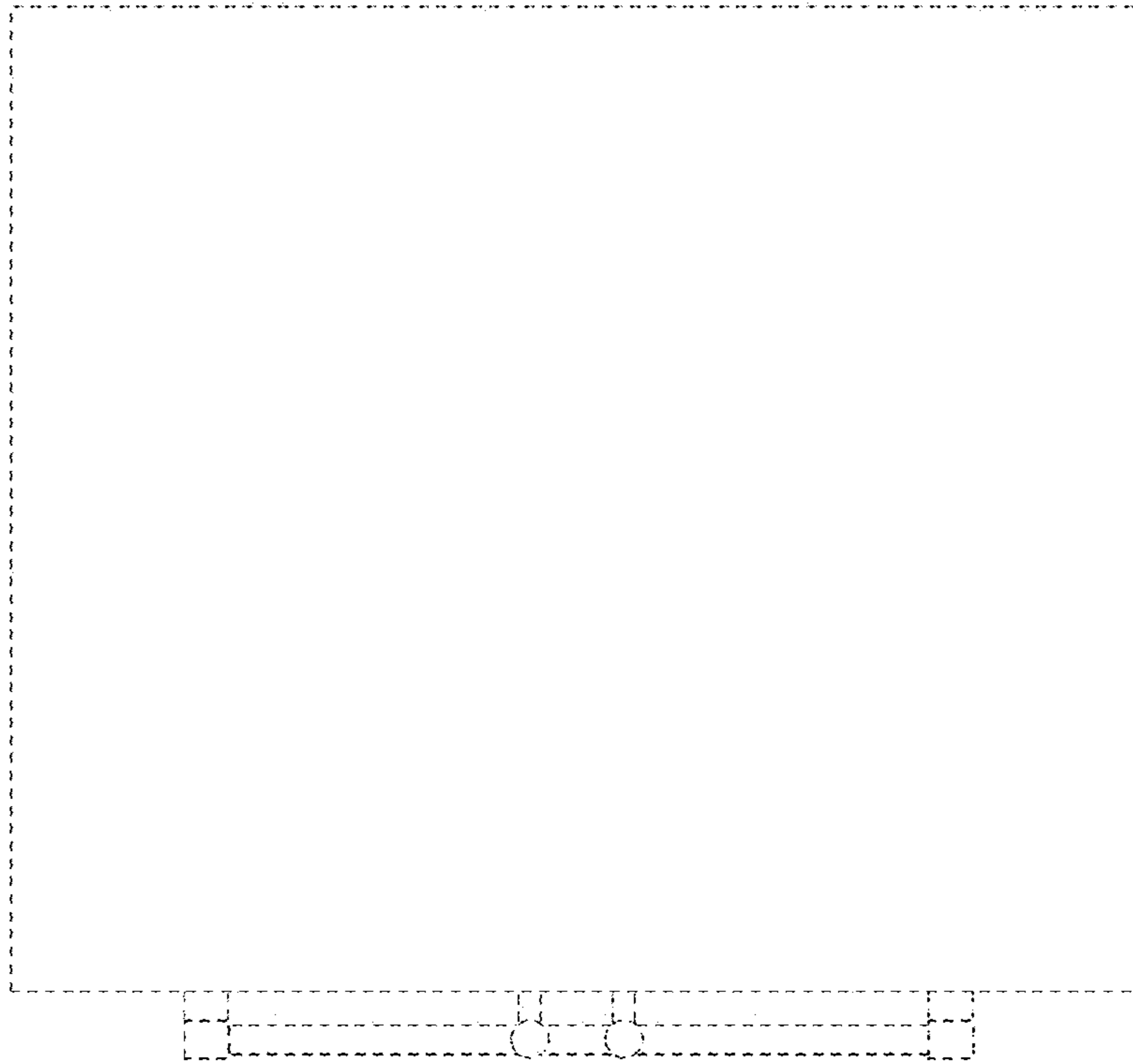


FIG. 4

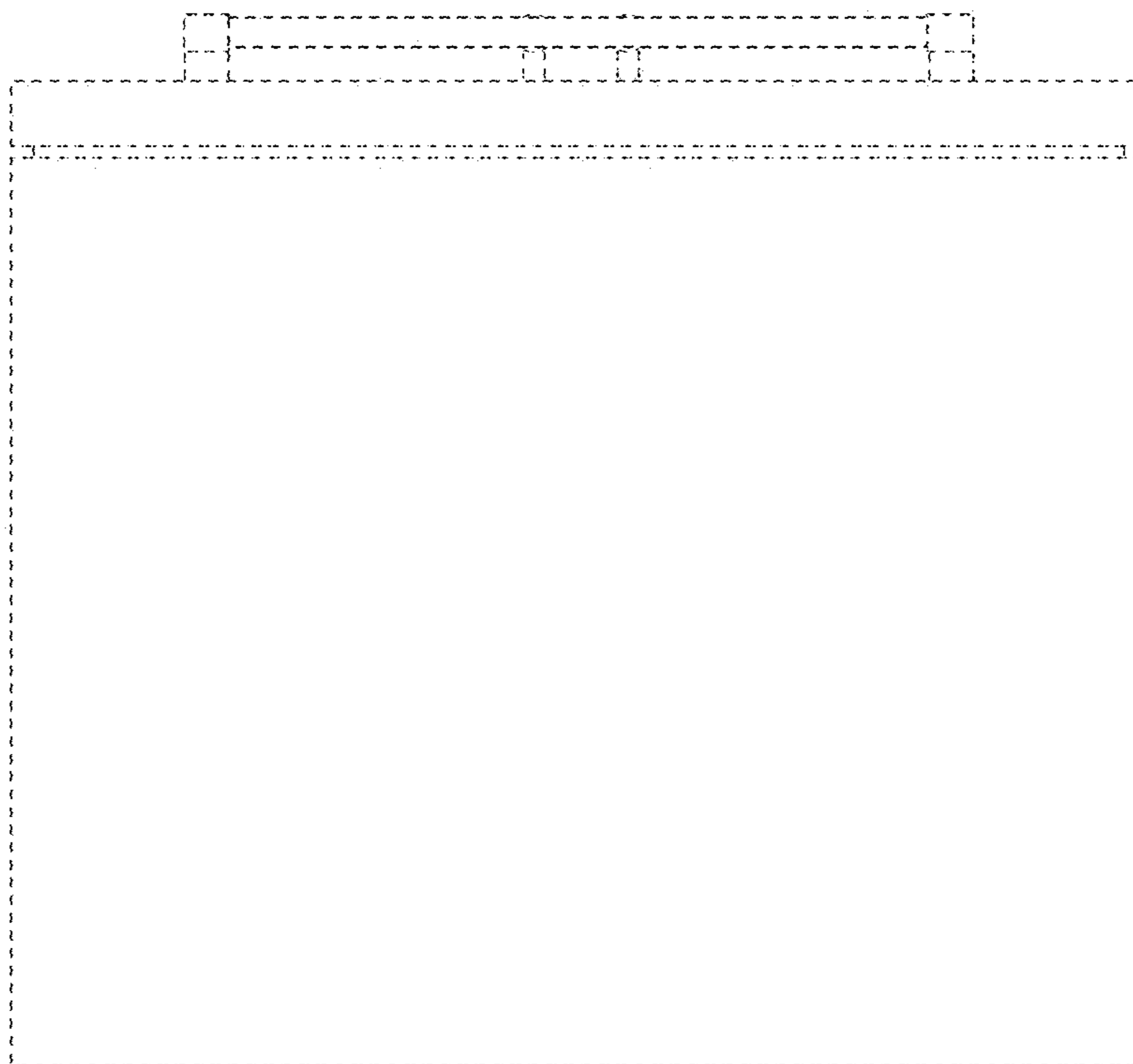


FIG. 5

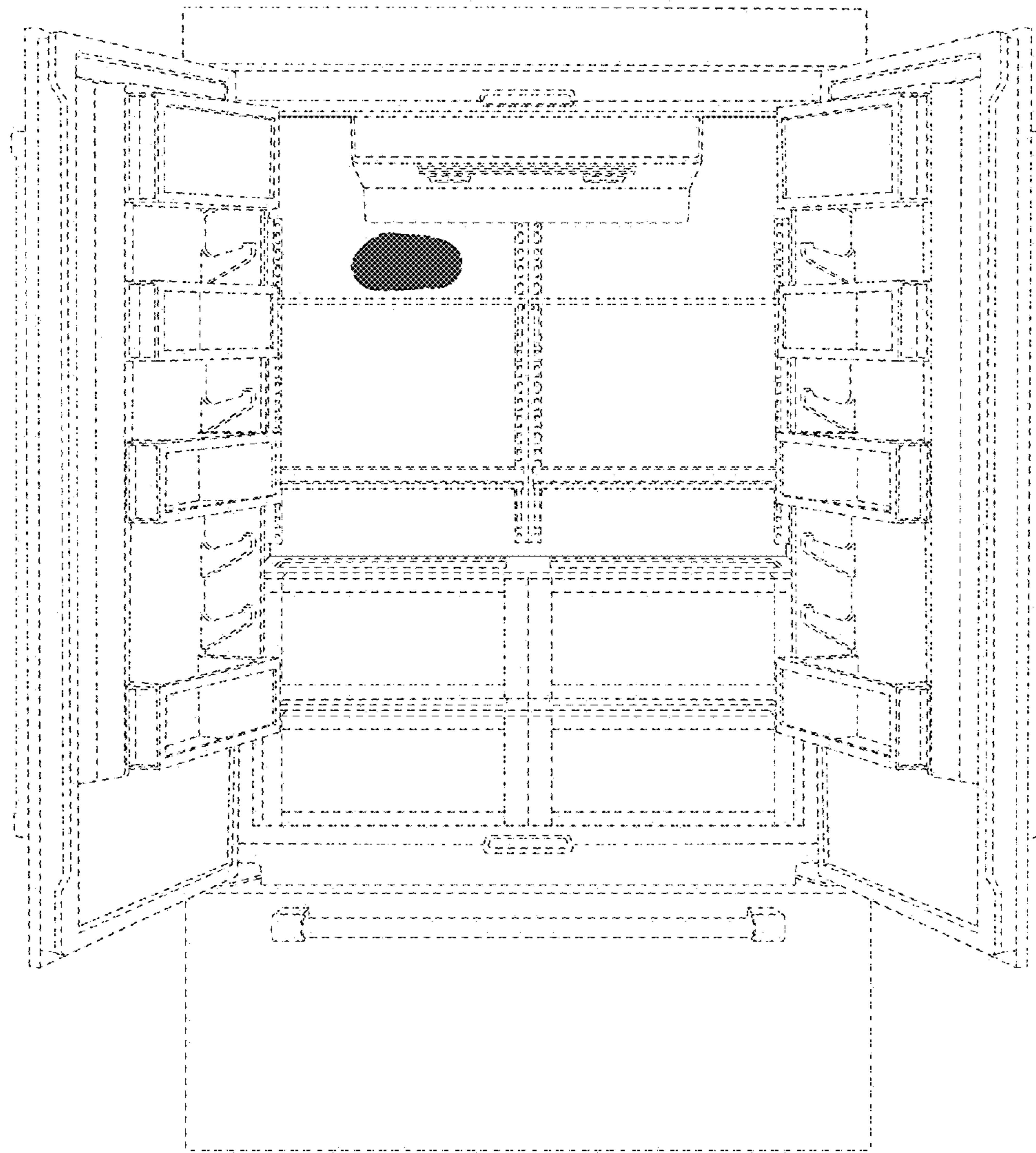


FIG. 6

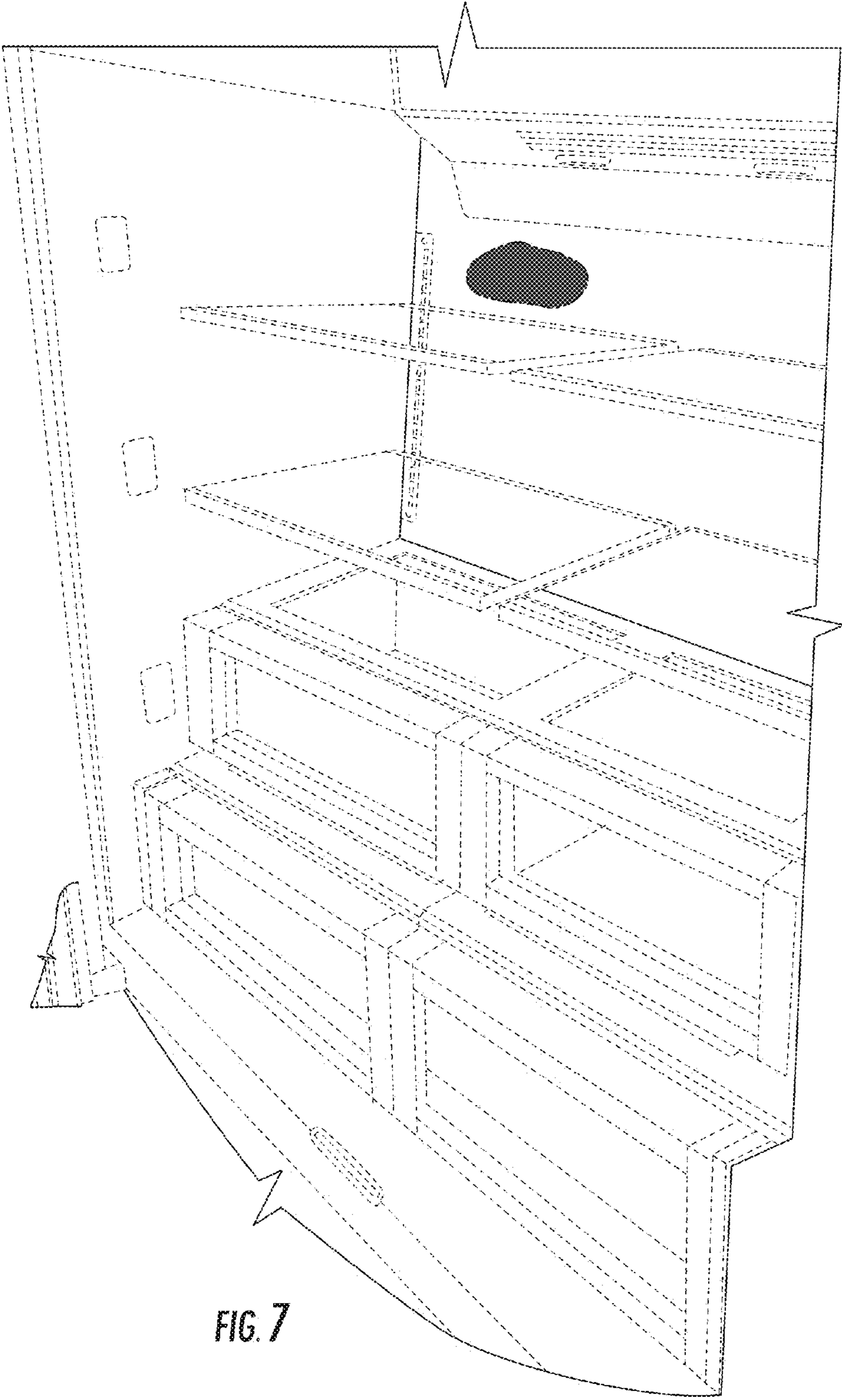


FIG. 7



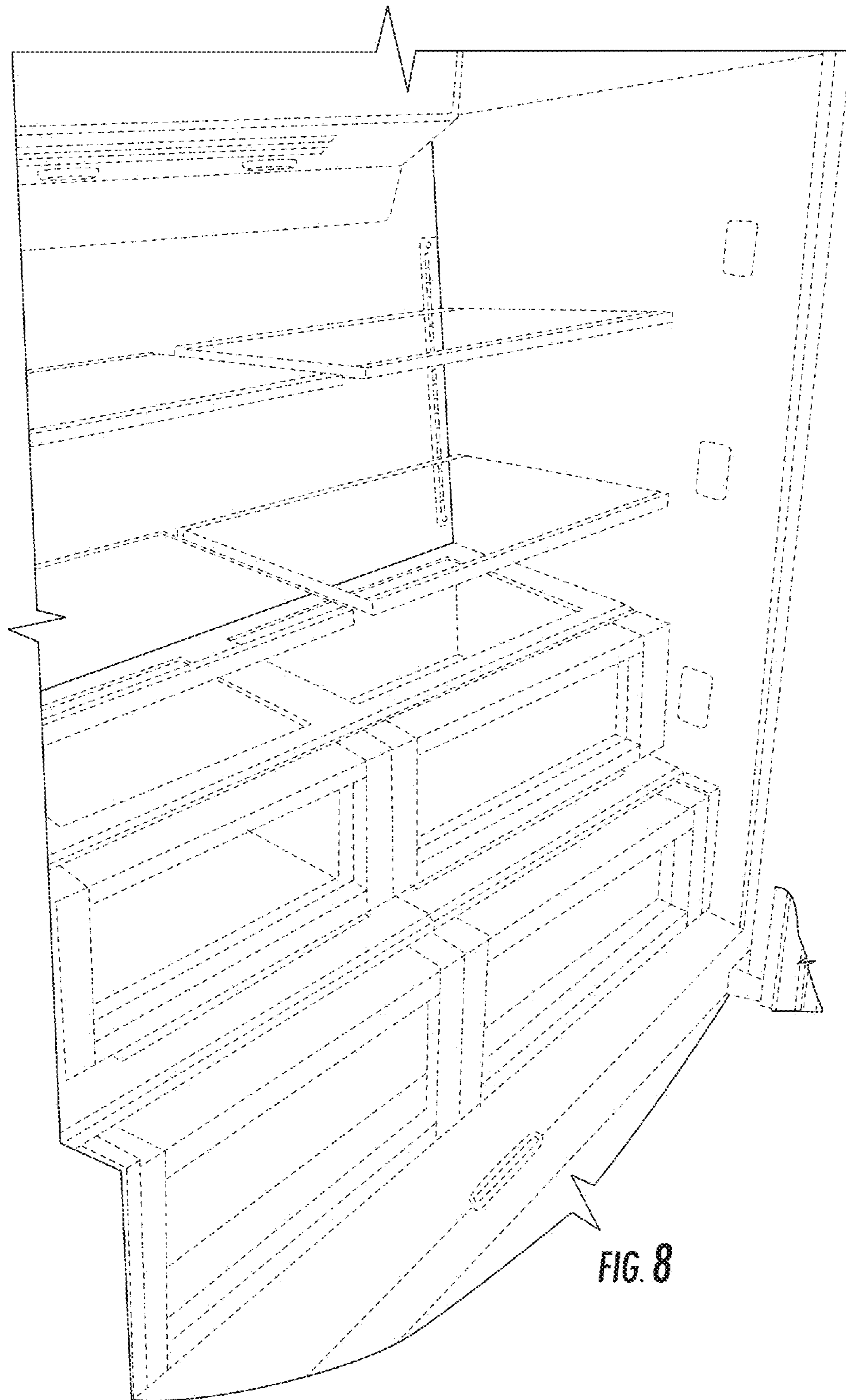


FIG. 8

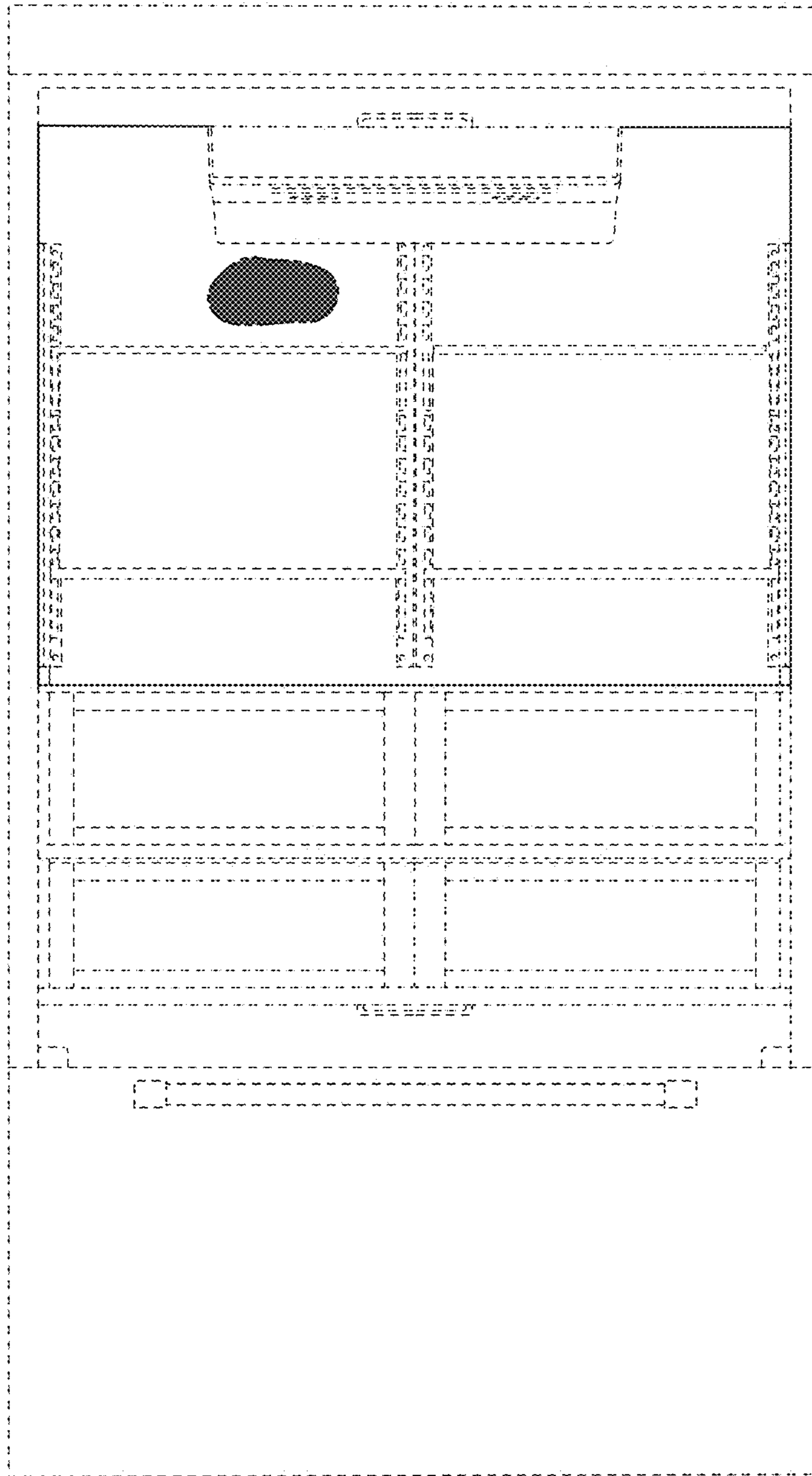


FIG. 9

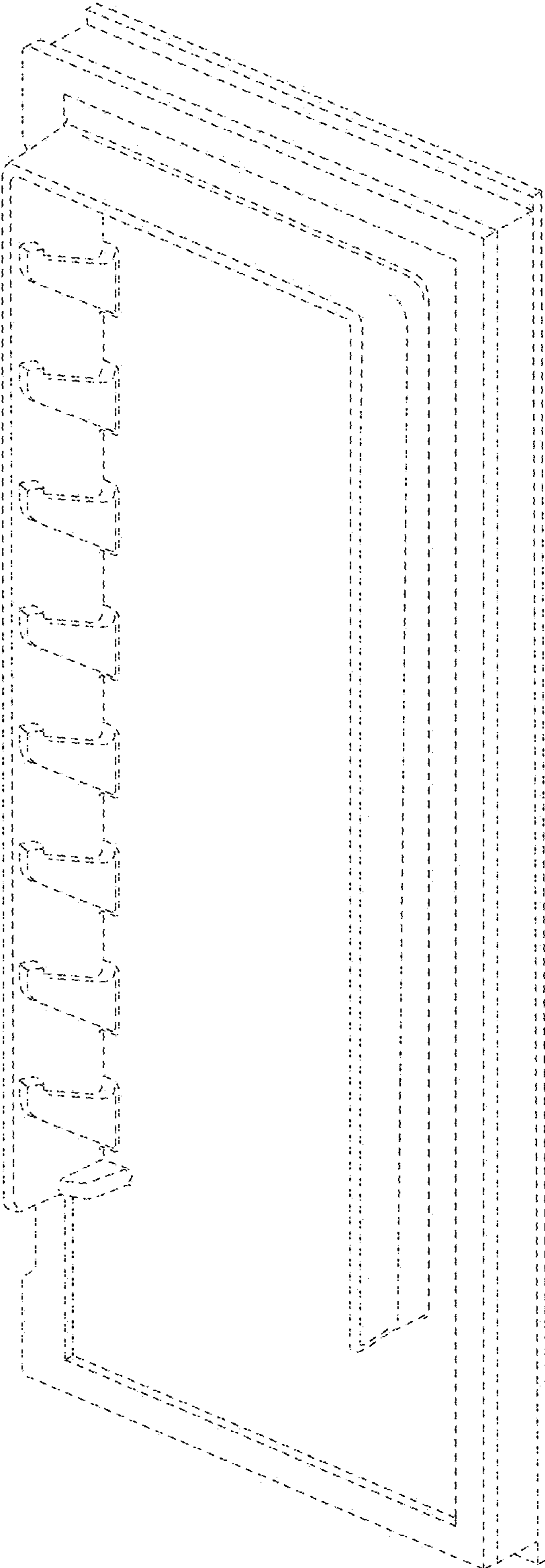


FIG. 10

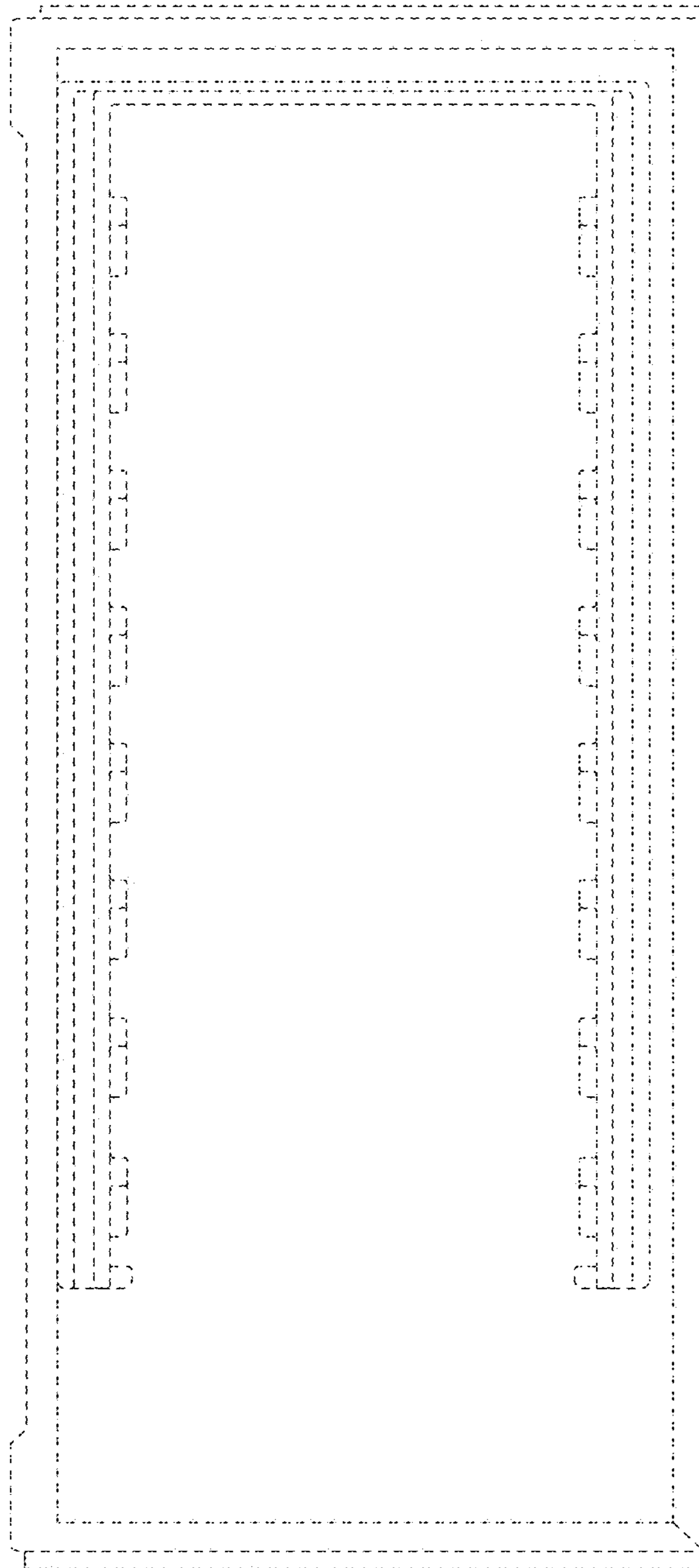


FIG. 11

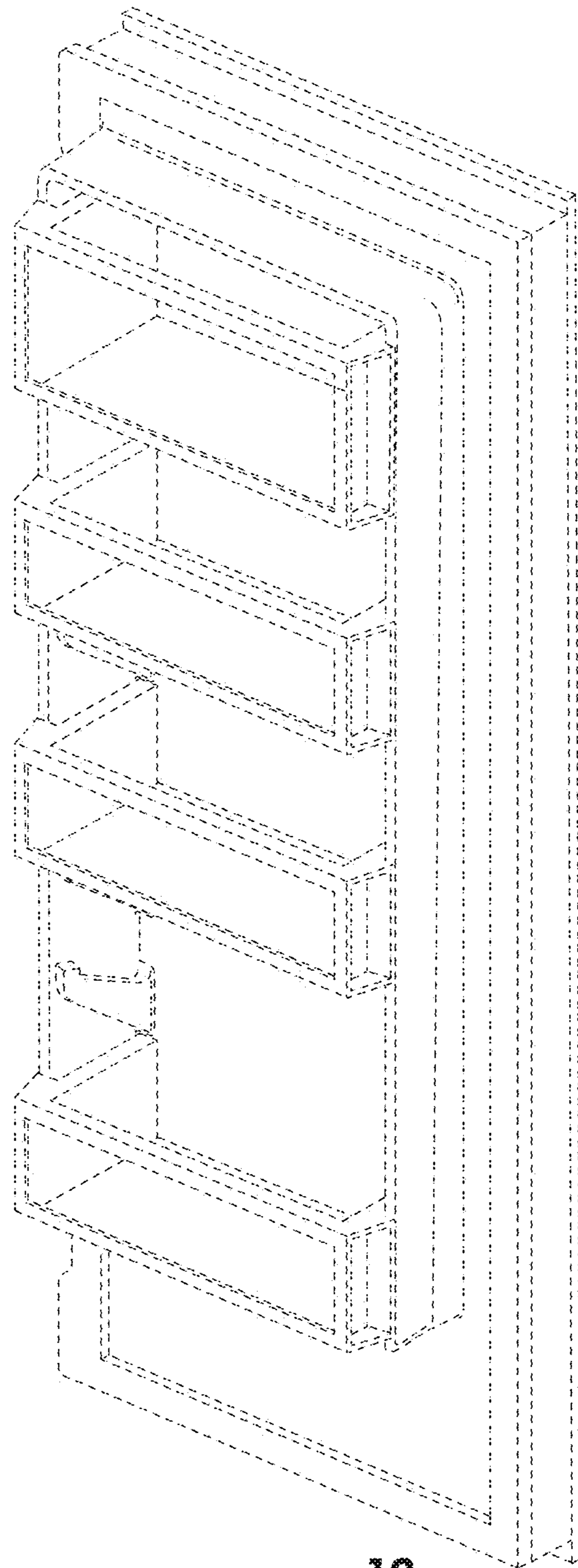
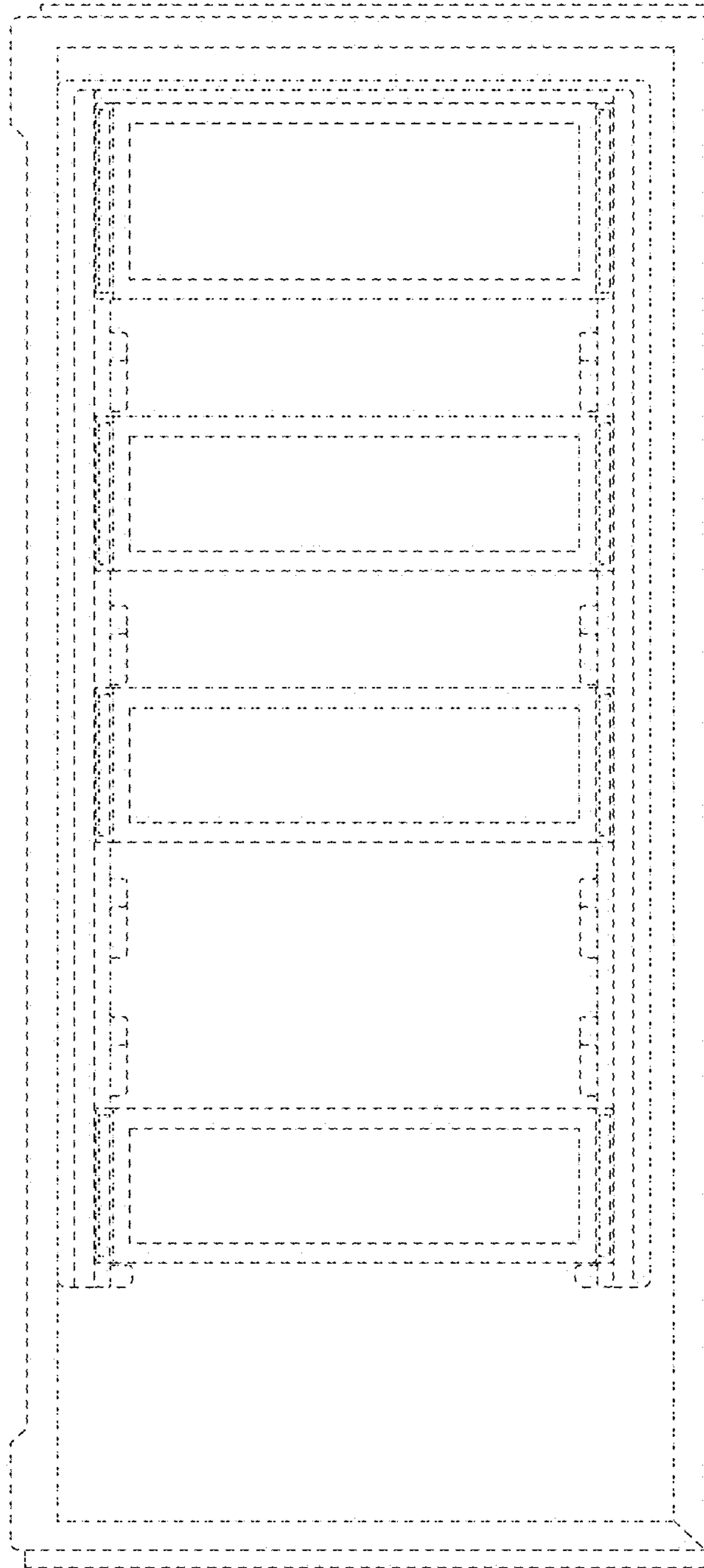


FIG. 12



**FIG. 13**

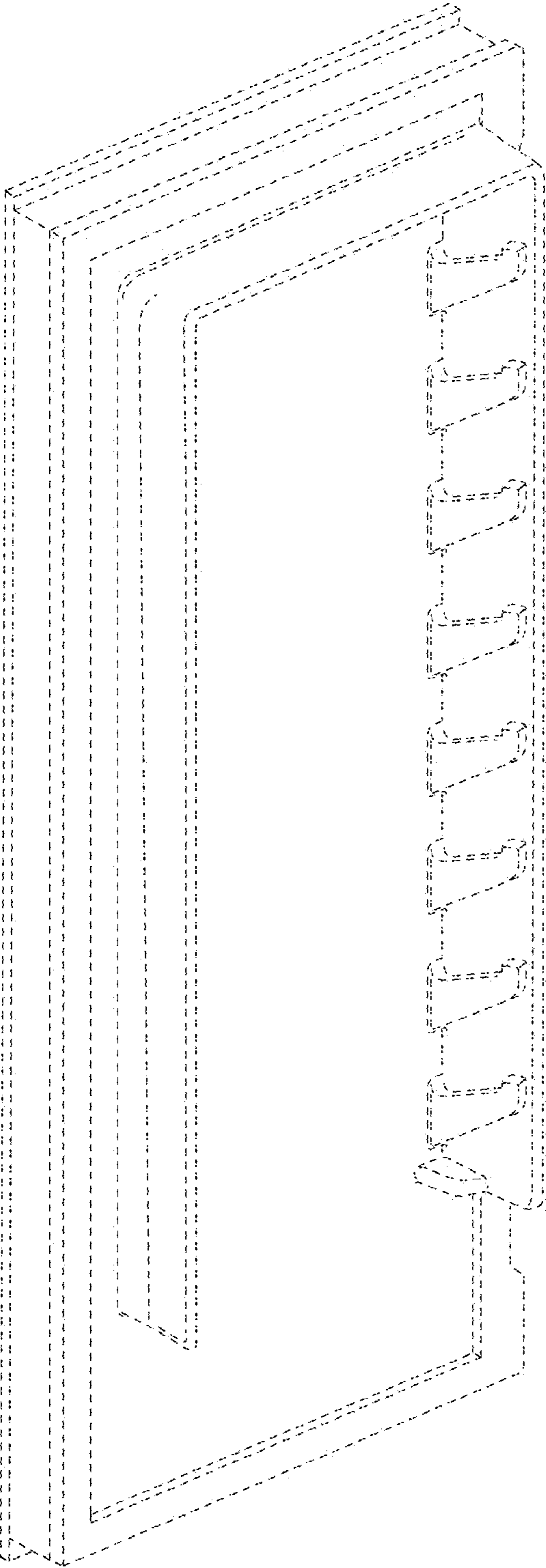


FIG. 14

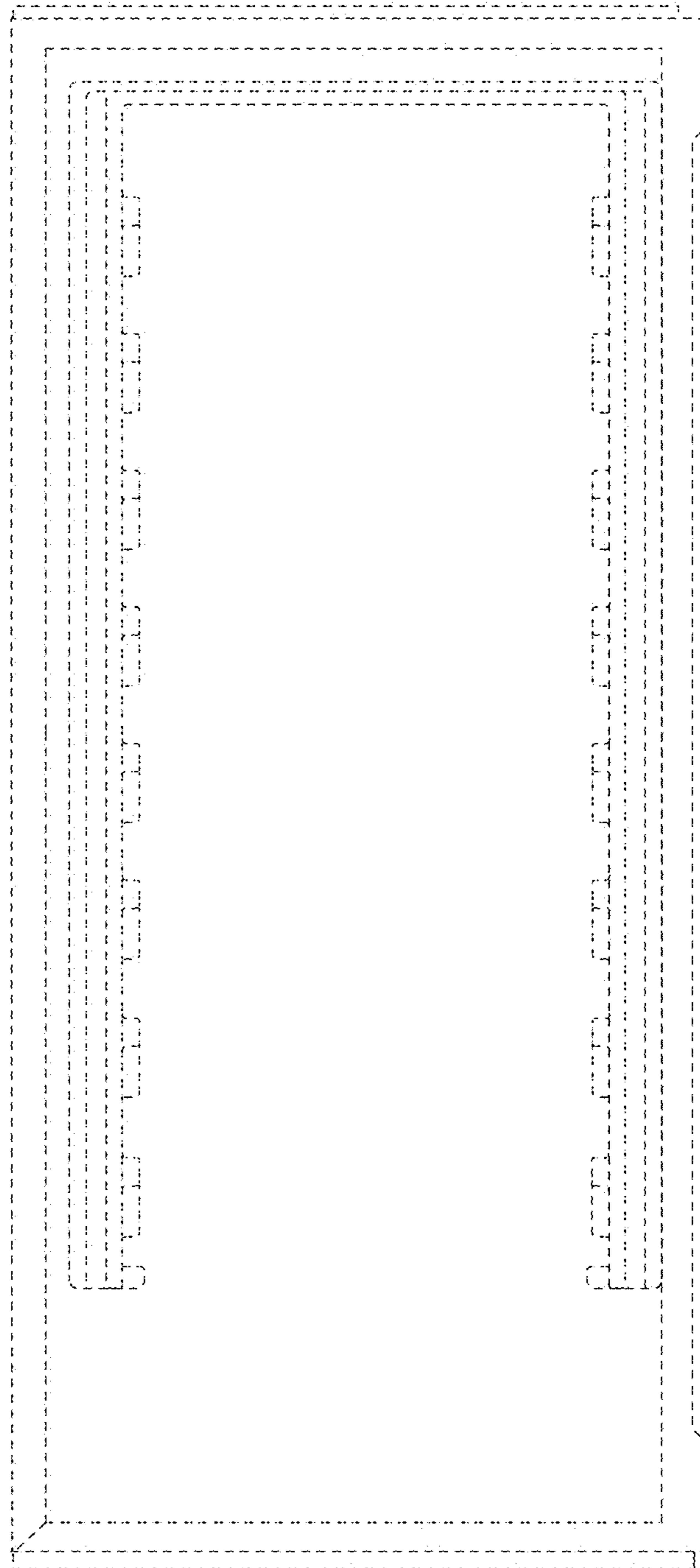


FIG. 15



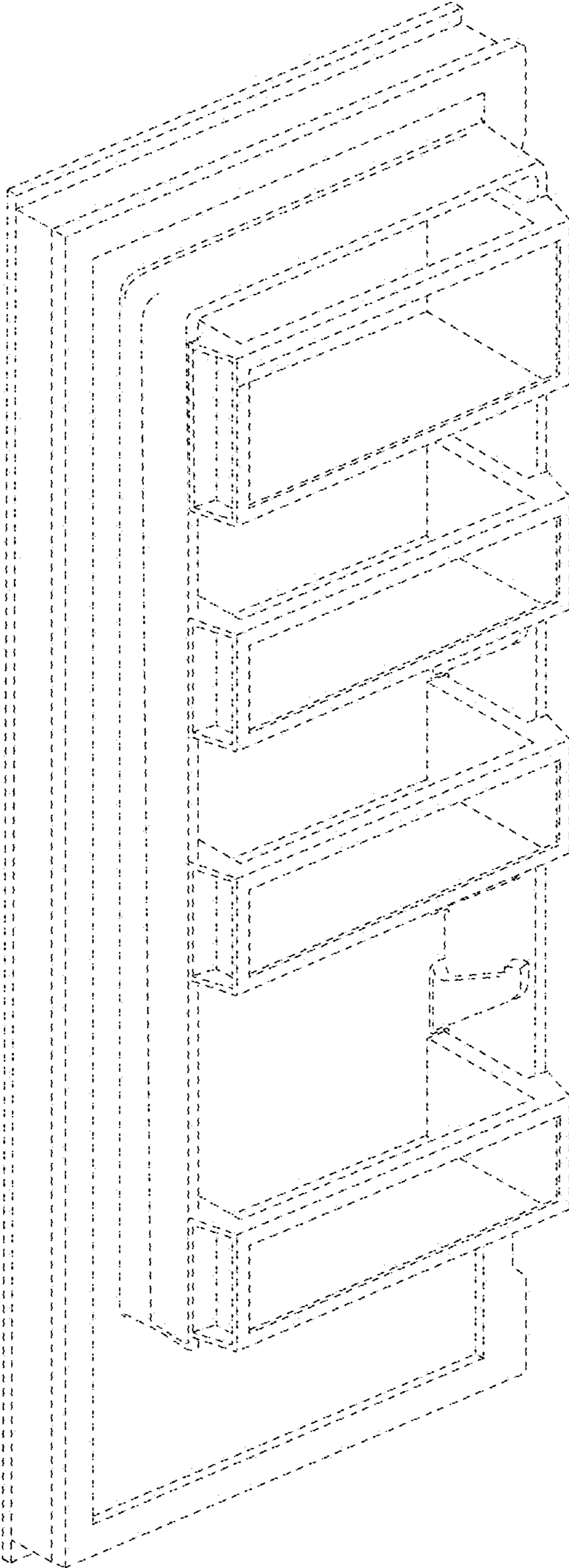


FIG. 16

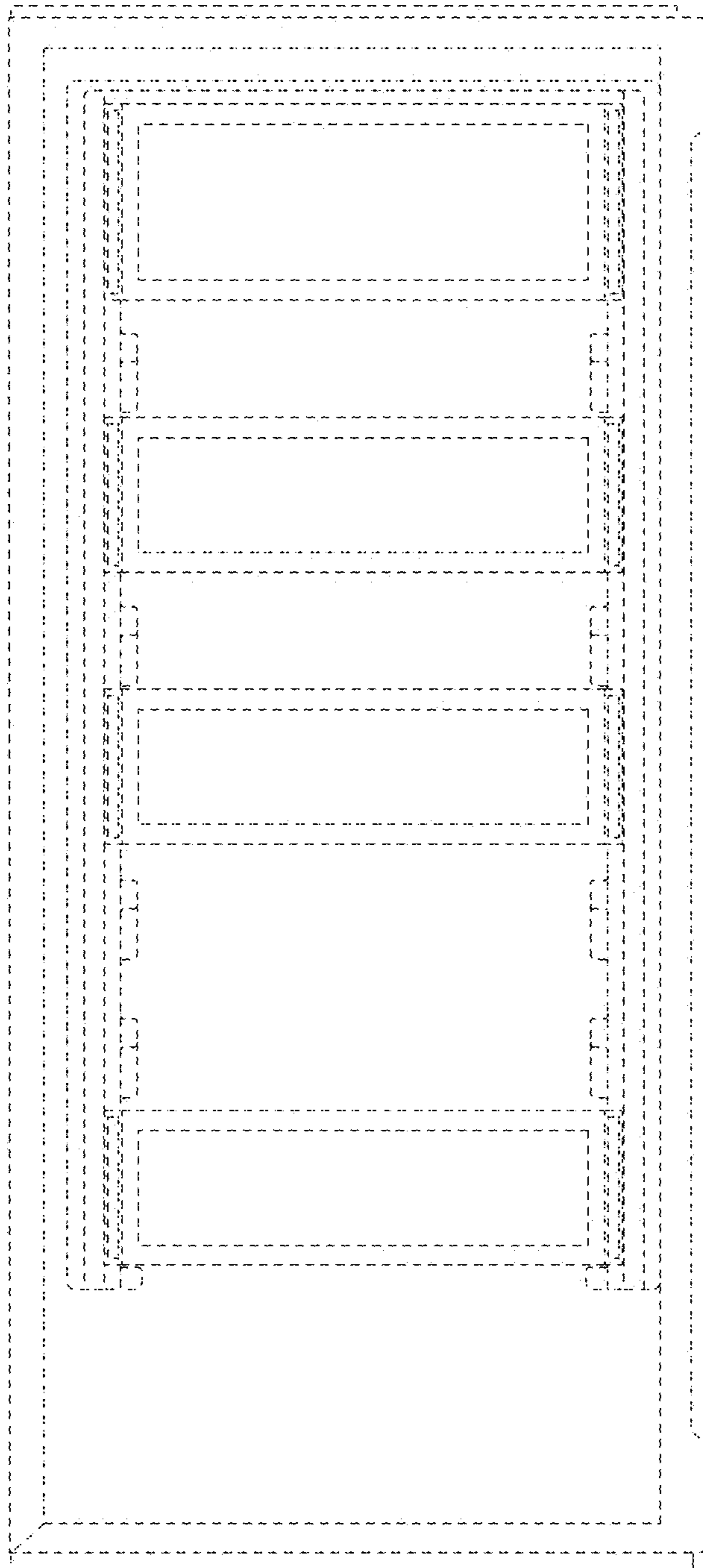


FIG. 17