



US00D748160S

(12) **United States Design Patent**  
**Kawaguchi**

(10) **Patent No.:** **US D748,160 S**  
(45) **Date of Patent:** **\*\* Jan. 26, 2016**

(54) **SEWING MACHINE**

**DESCRIPTION**

- (71) Applicant: **Janome Sewing Machine Co., Ltd.**,  
Tokyo (JP)
- (72) Inventor: **Kiyomi Kawaguchi**, Tokyo (JP)
- (73) Assignee: **JANOME SEWING MACHINE CO., LTD.**, Tokyo (JP)
- (\*\*) Term: **14 Years**
- (21) Appl. No.: **29/499,875**
- (22) Filed: **Aug. 19, 2014**
- (30) **Foreign Application Priority Data**
  - Feb. 28, 2014 (JP) ..... 2014-004399
  - Feb. 28, 2014 (JP) ..... 2014-004402
  - Feb. 28, 2014 (JP) ..... 2014-004403
- (51) **LOC (10) Cl.** ..... **15-06**
- (52) **U.S. Cl.**  
USPC ..... **D15/69**
- (58) **Field of Classification Search**  
USPC ..... D15/66-78  
CPC ..... D05B 1/00-19/14  
See application file for complete search history.

FIG. 1 is a front elevational view of a sewing machine showing my new design;  
 FIG. 2 is a rear elevational view thereof;  
 FIG. 3 is a top plan view thereof;  
 FIG. 4 is a bottom plan view thereof;  
 FIG. 5 is a left side elevational view thereof;  
 FIG. 6 is a right side elevational view thereof;  
 FIG. 7 is a front perspective view of a sewing machine without an auxiliary table thereof;  
 FIG. 8 is a front perspective view of a sewing machine showing thereof;  
 FIG. 9 is a front perspective view of a sewing machine showing thereof;  
 FIG. 10 is a front elevational view of a sewing machine showing my new design;  
 FIG. 11 is a rear elevational view thereof;  
 FIG. 12 is a top plan view thereof;  
 FIG. 13 is a bottom plan view thereof;  
 FIG. 14 is a left side elevational view thereof;  
 FIG. 15 is a right side elevational view thereof;  
 FIG. 16 is a front perspective view of a sewing machine without an auxiliary table thereof;  
 FIG. 17 is a front perspective view of a sewing machine showing thereof;  
 FIG. 18 is a front perspective view of a sewing machine showing thereof;  
 FIG. 19 is a front elevational view of a sewing machine showing my new design;  
 FIG. 20 is a rear elevational view thereof;  
 FIG. 21 is a top plan view thereof;  
 FIG. 22 is a bottom plan view thereof;  
 FIG. 23 is a left side elevational view thereof;  
 FIG. 24 is a right side elevational view thereof;  
 FIG. 25 is a front perspective view of a sewing machine without an auxiliary table thereof;  
 FIG. 26 is a front perspective view of a sewing machine showing thereof; and,  
 FIG. 27 is a front perspective view of a sewing machine showing thereof.

(56) **References Cited**

**U.S. PATENT DOCUMENTS**

- D247,901 S \* 5/1978 Fresard ..... D15/70
- D260,995 S \* 9/1981 Fresard ..... D15/70
- D337,772 S \* 7/1993 Kuroki ..... D15/70

(Continued)

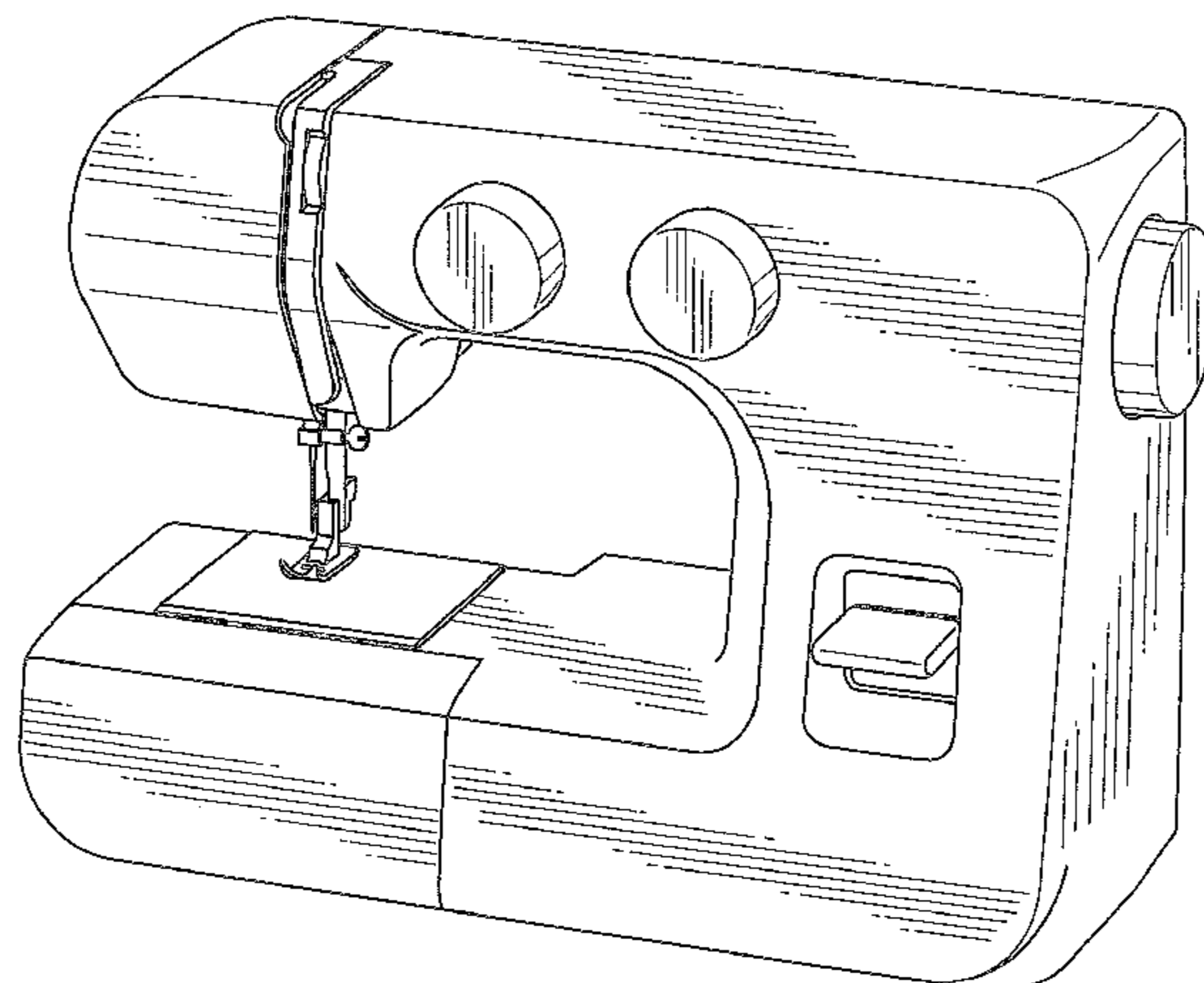
*Primary Examiner* — Mitchell Siegel

(74) *Attorney, Agent, or Firm* — McGinn IP Law Group, PLLC

(57) **CLAIM**

The ornamental design for a sewing machine, as shown and described.

**1 Claim, 27 Drawing Sheets**



(56)

**References Cited**

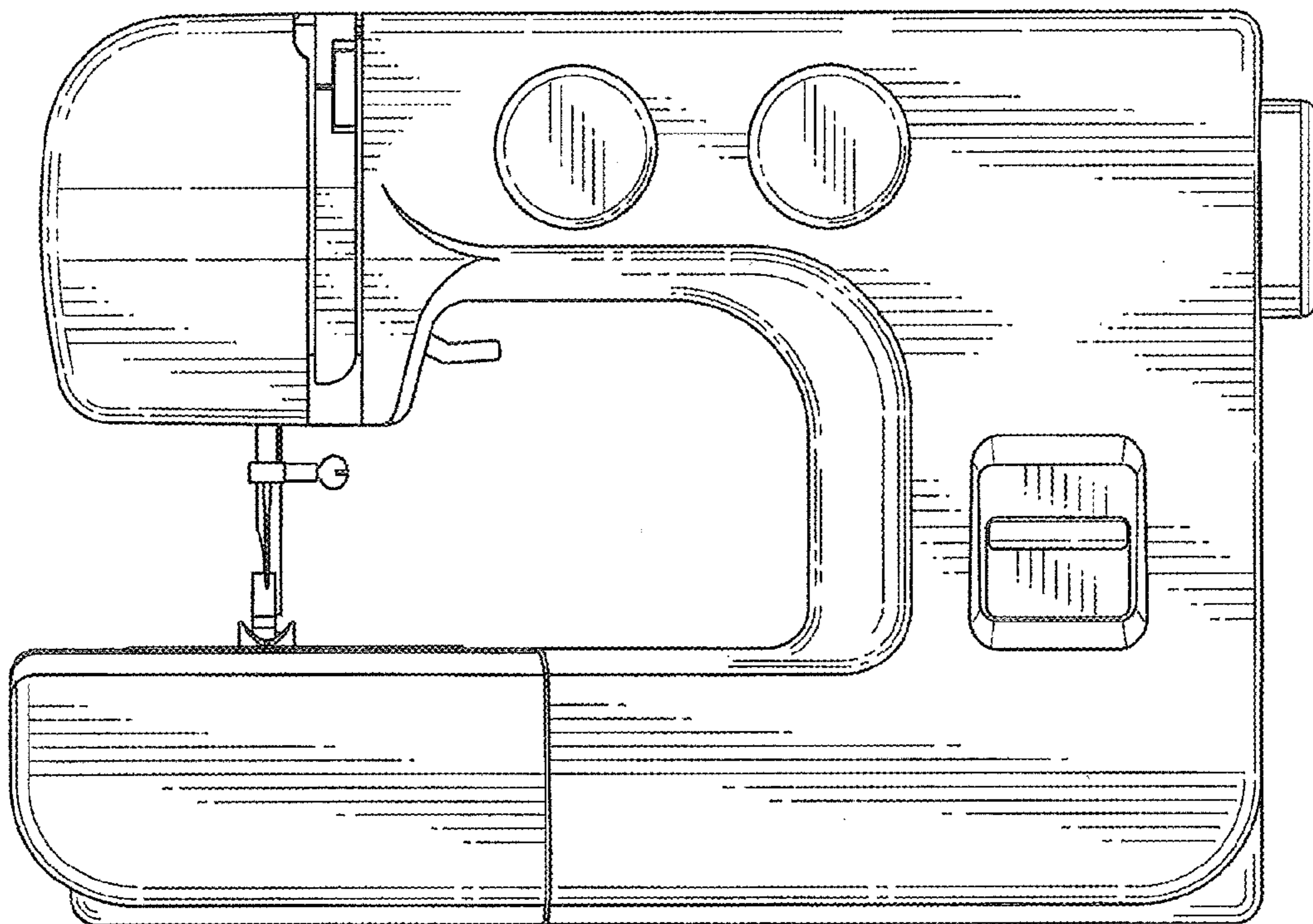
U.S. PATENT DOCUMENTS

D433,690 S \* 11/2000 Kuroki ..... D15/70  
D435,052 S \* 12/2000 Kuroki ..... D15/70  
D450,332 S \* 11/2001 Kuroki et al. .... D15/69  
D450,719 S \* 11/2001 Kuroki et al. .... D15/69  
D459,737 S \* 7/2002 Kuroki ..... D15/69

D503,726 S \* 4/2005 Iwai ..... D15/69  
D505,433 S \* 5/2005 Kuroki ..... D15/69  
D516,590 S \* 3/2006 Muto ..... D15/69  
D517,097 S \* 3/2006 Kuroki ..... D15/69  
D579,466 S \* 10/2008 Kanai ..... D15/70  
D604,338 S \* 11/2009 Kawaguchi ..... D15/69  
D658,212 S \* 4/2012 Congiu ..... D15/69

\* cited by examiner

Fig. 1



F i g . 2

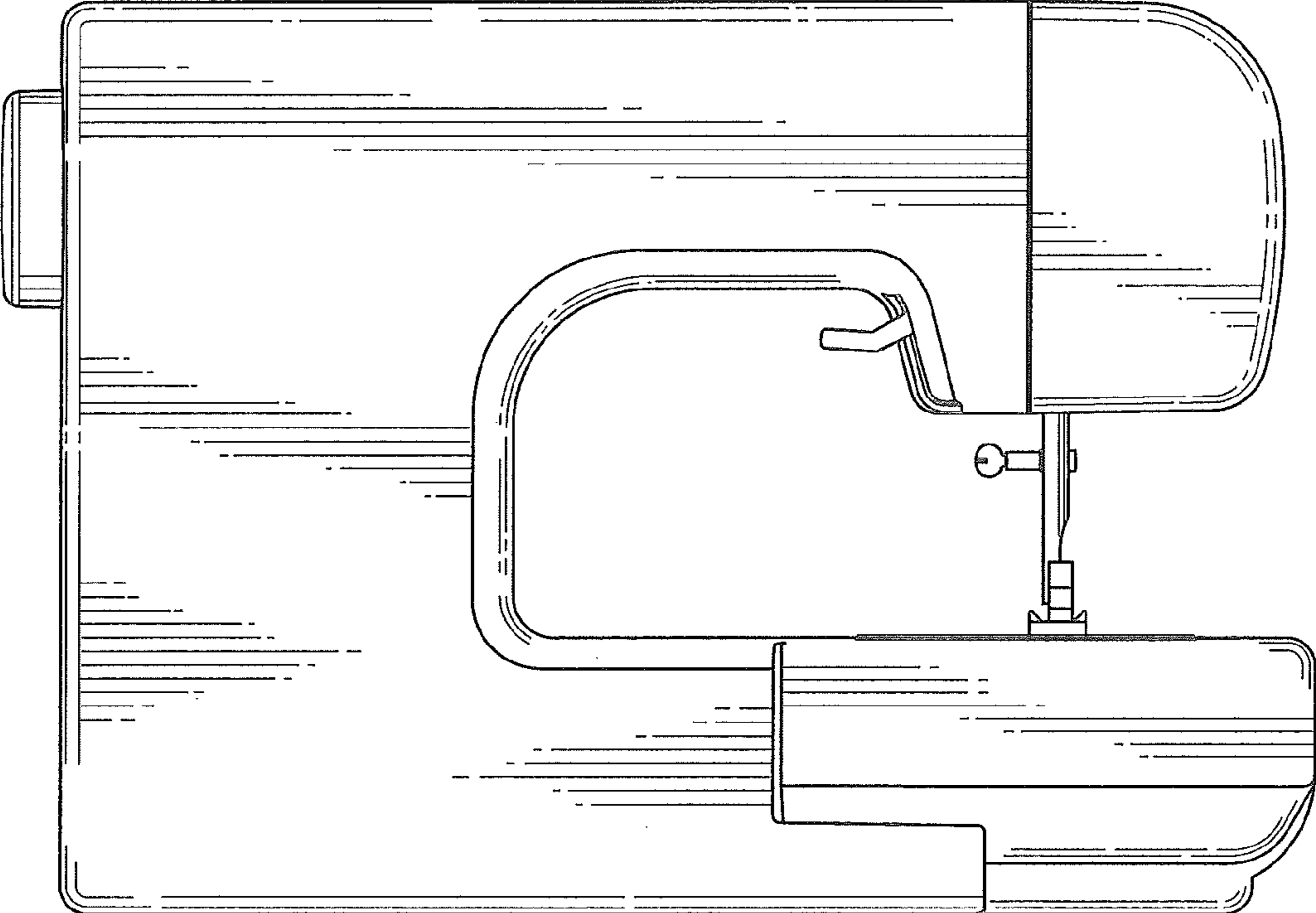


Fig. 3

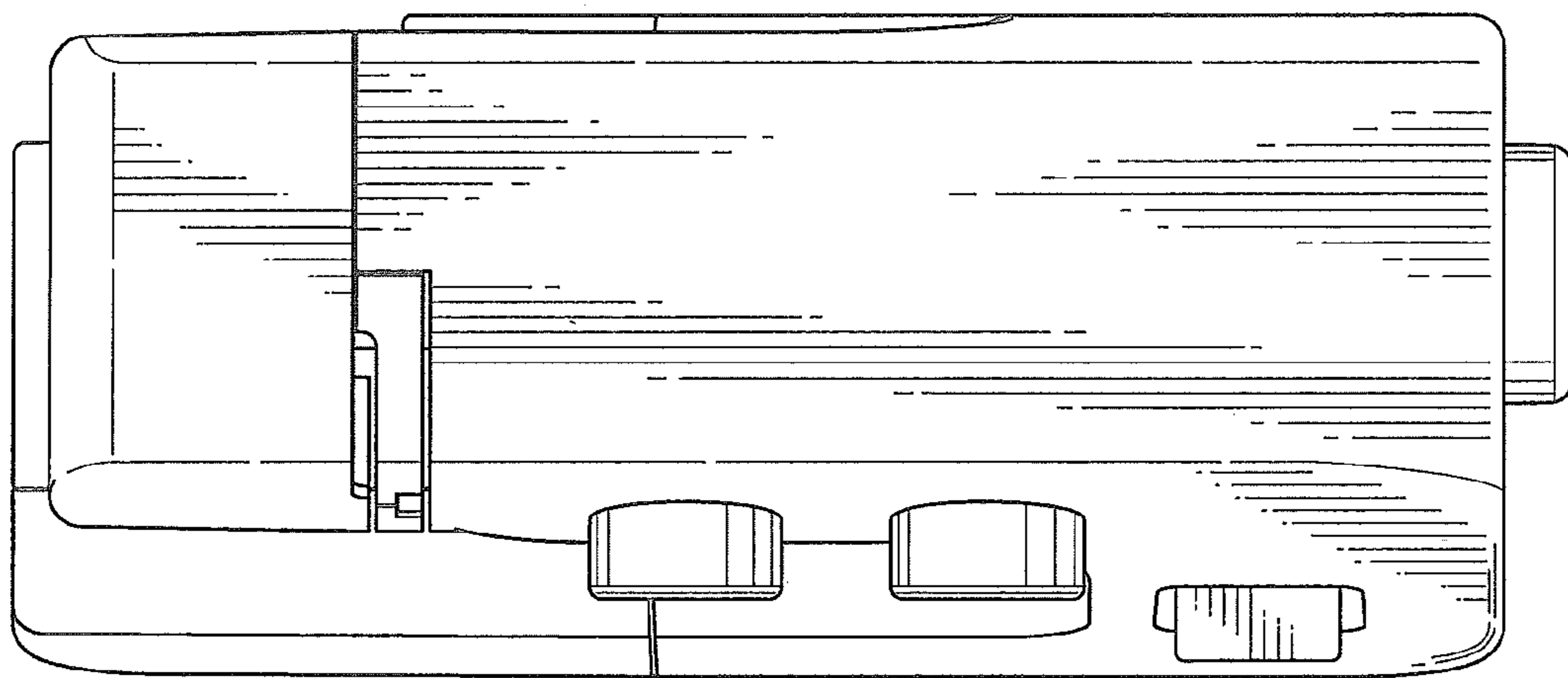


Fig. 4

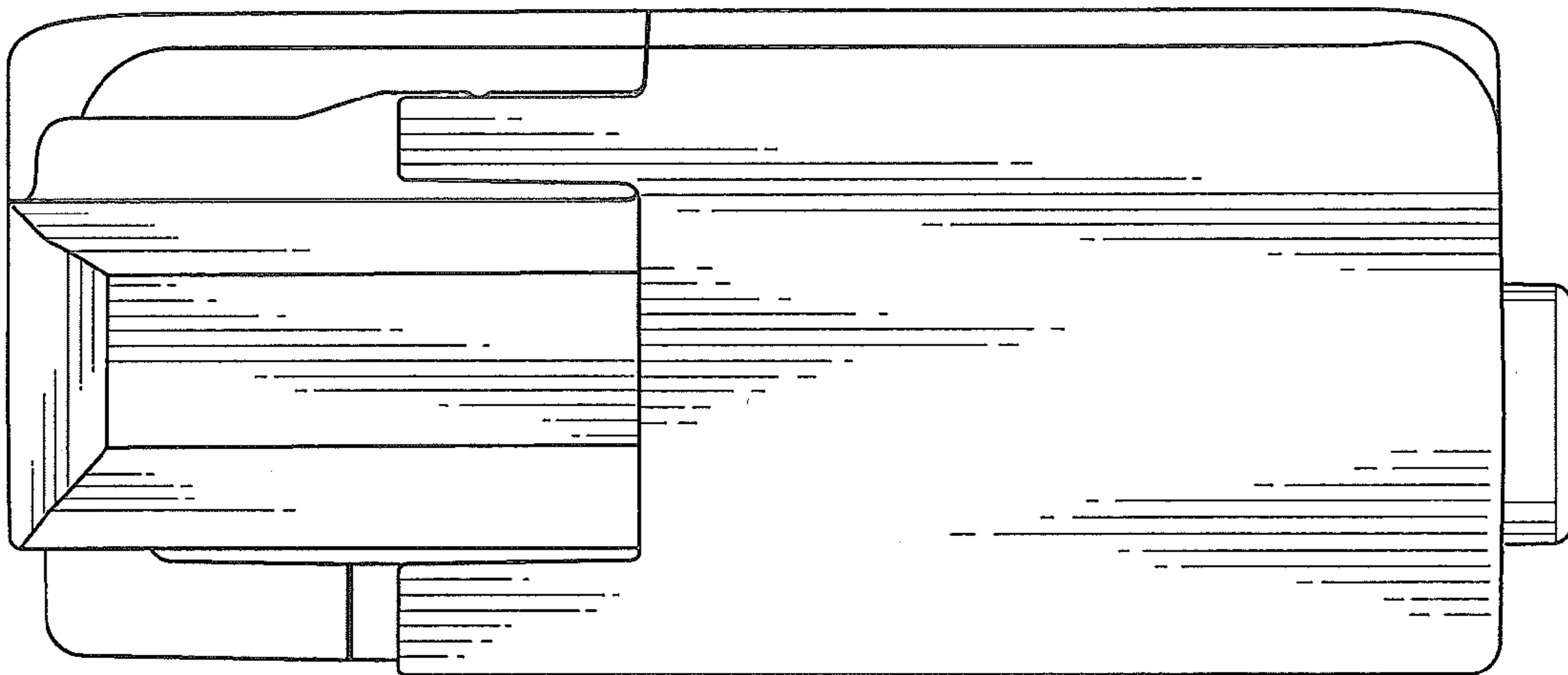


Fig. 5

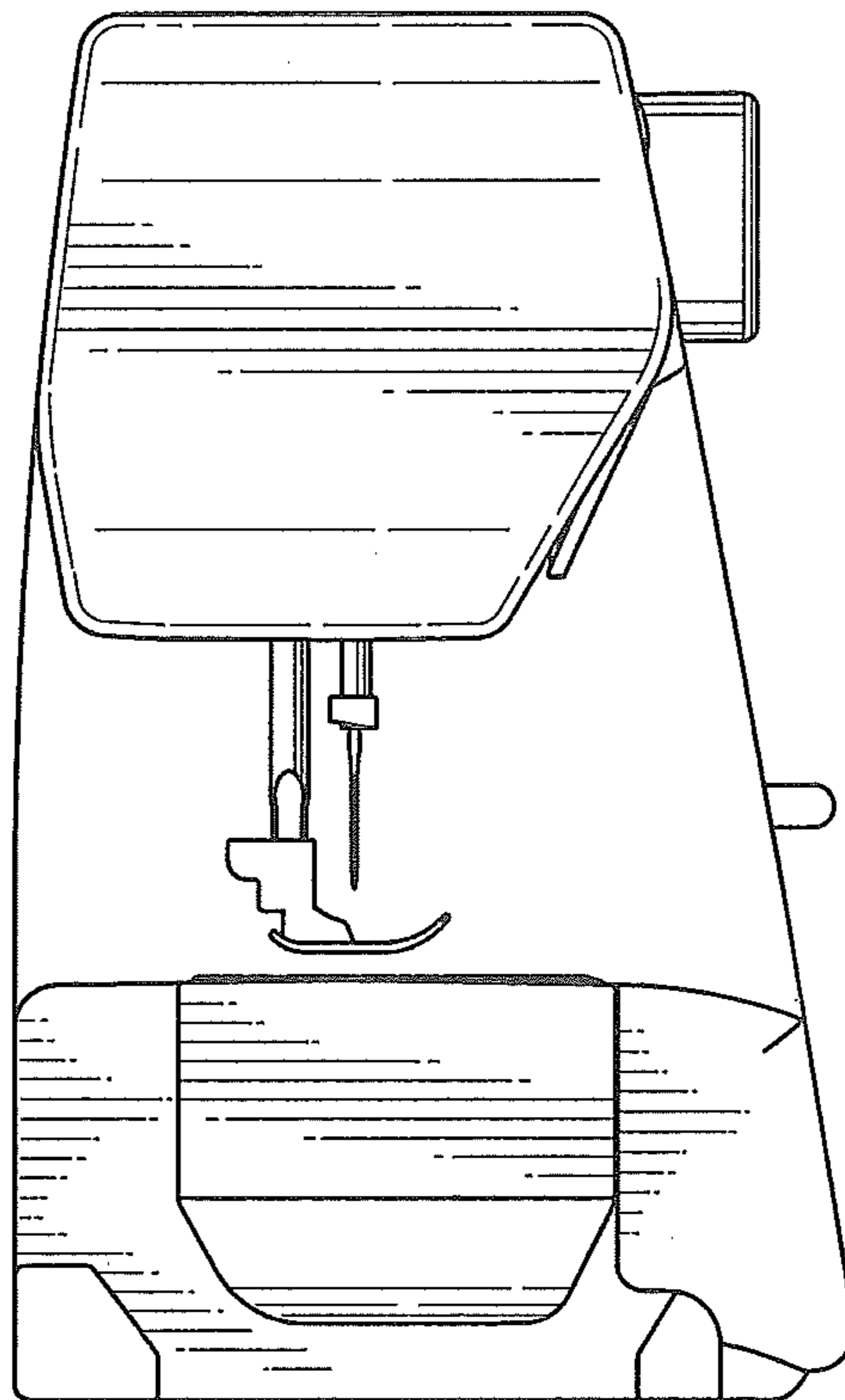


Fig. 6

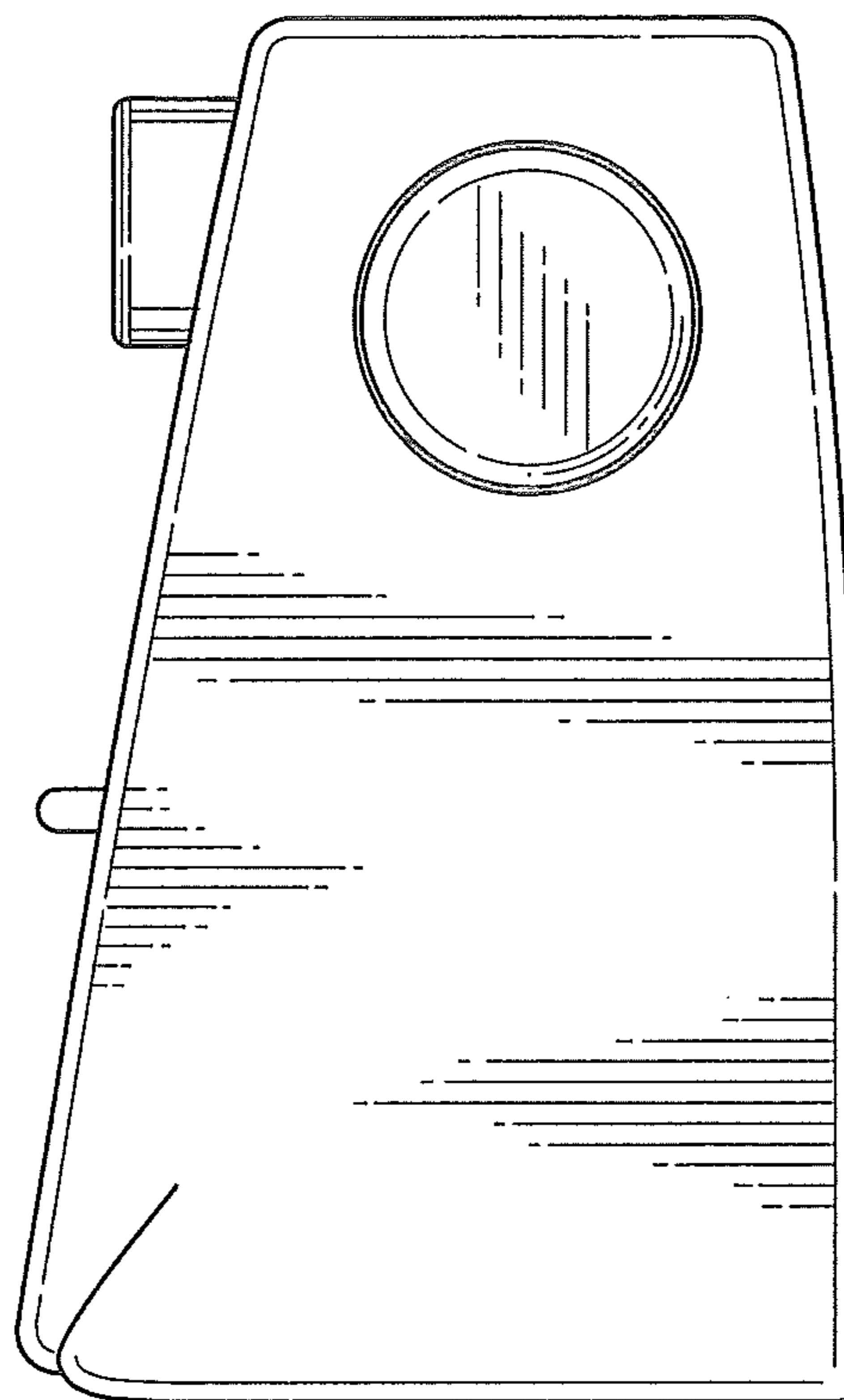




Fig. 7

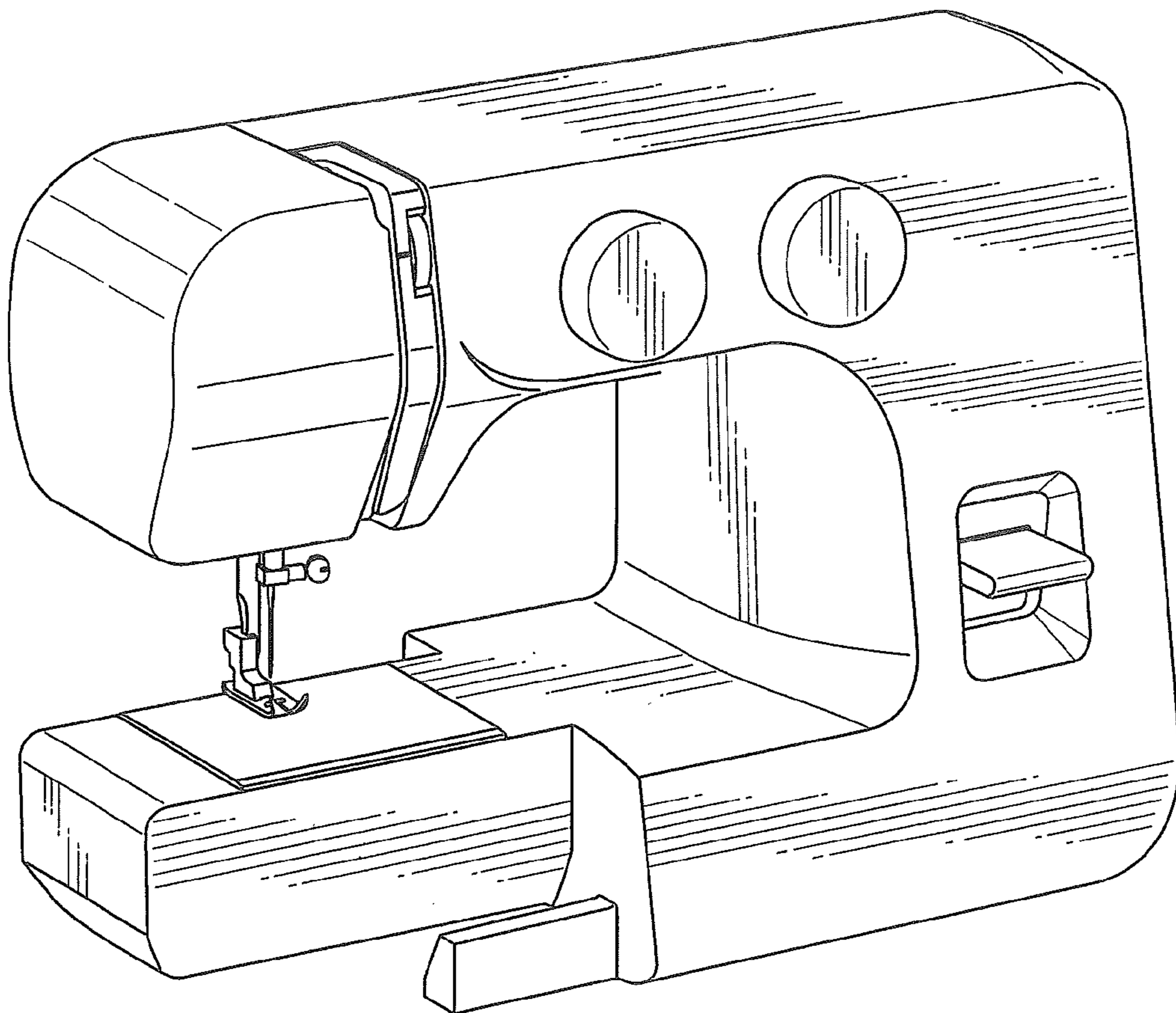


Fig. 8

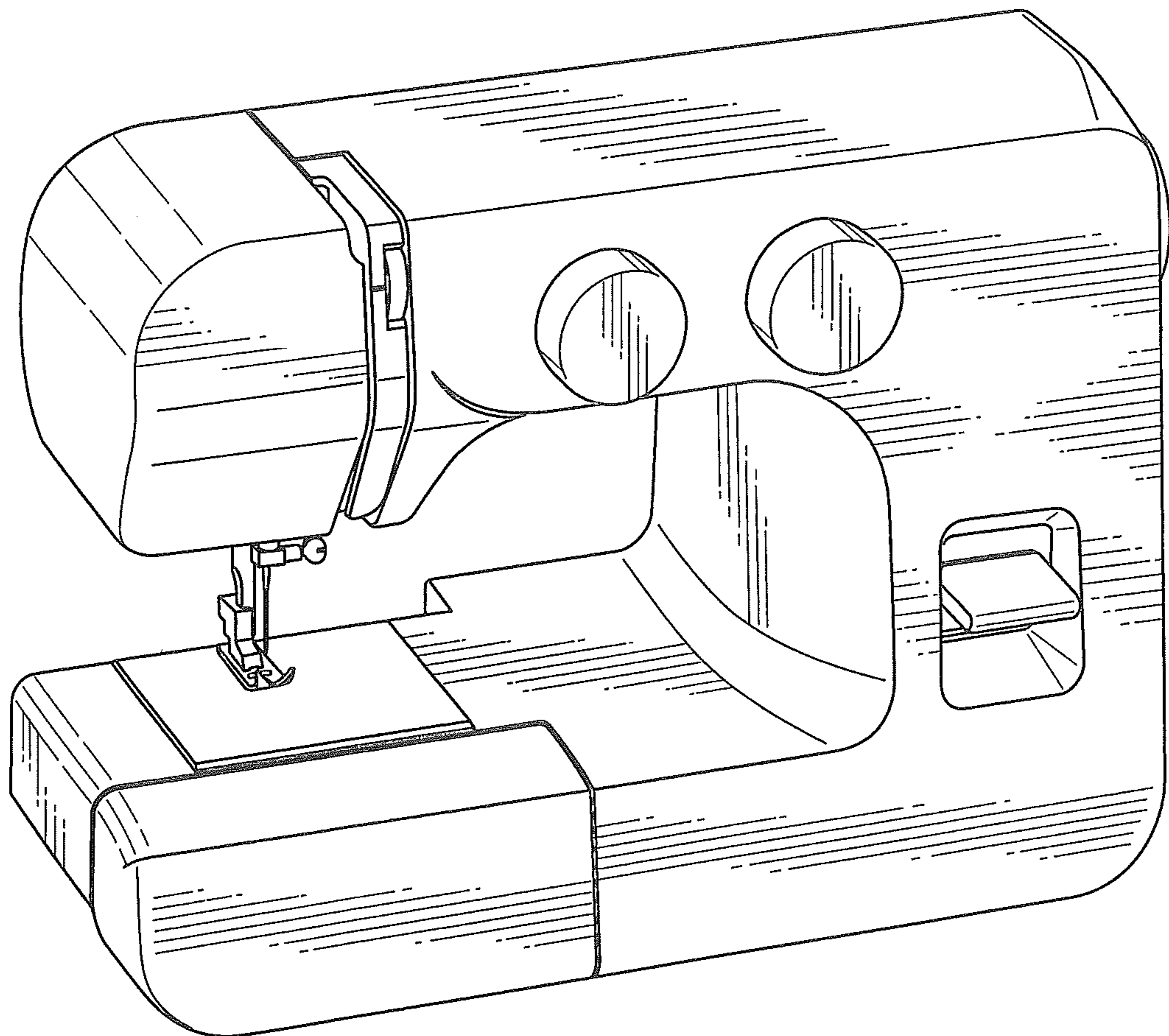


Fig. 9

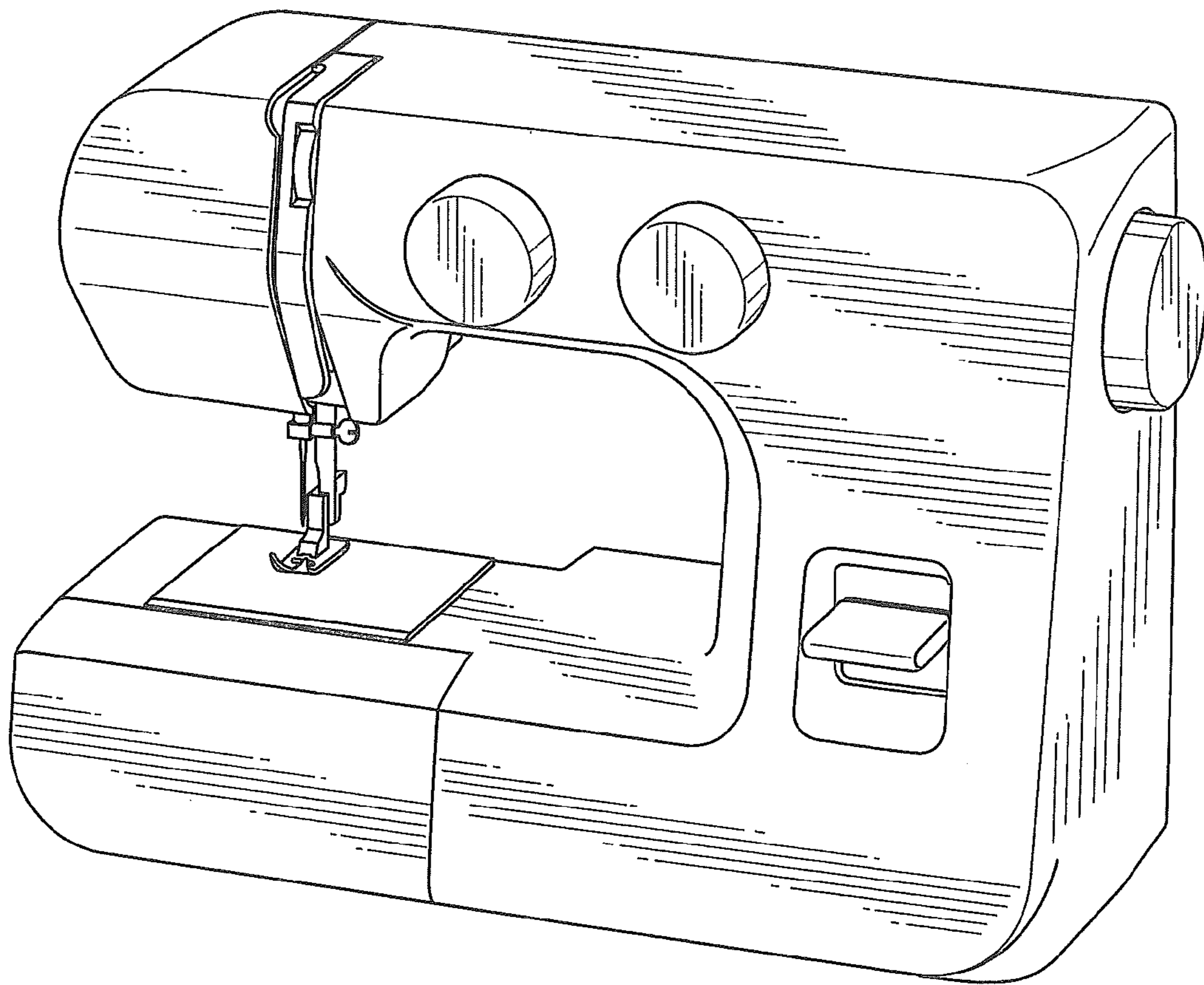


Fig. 10

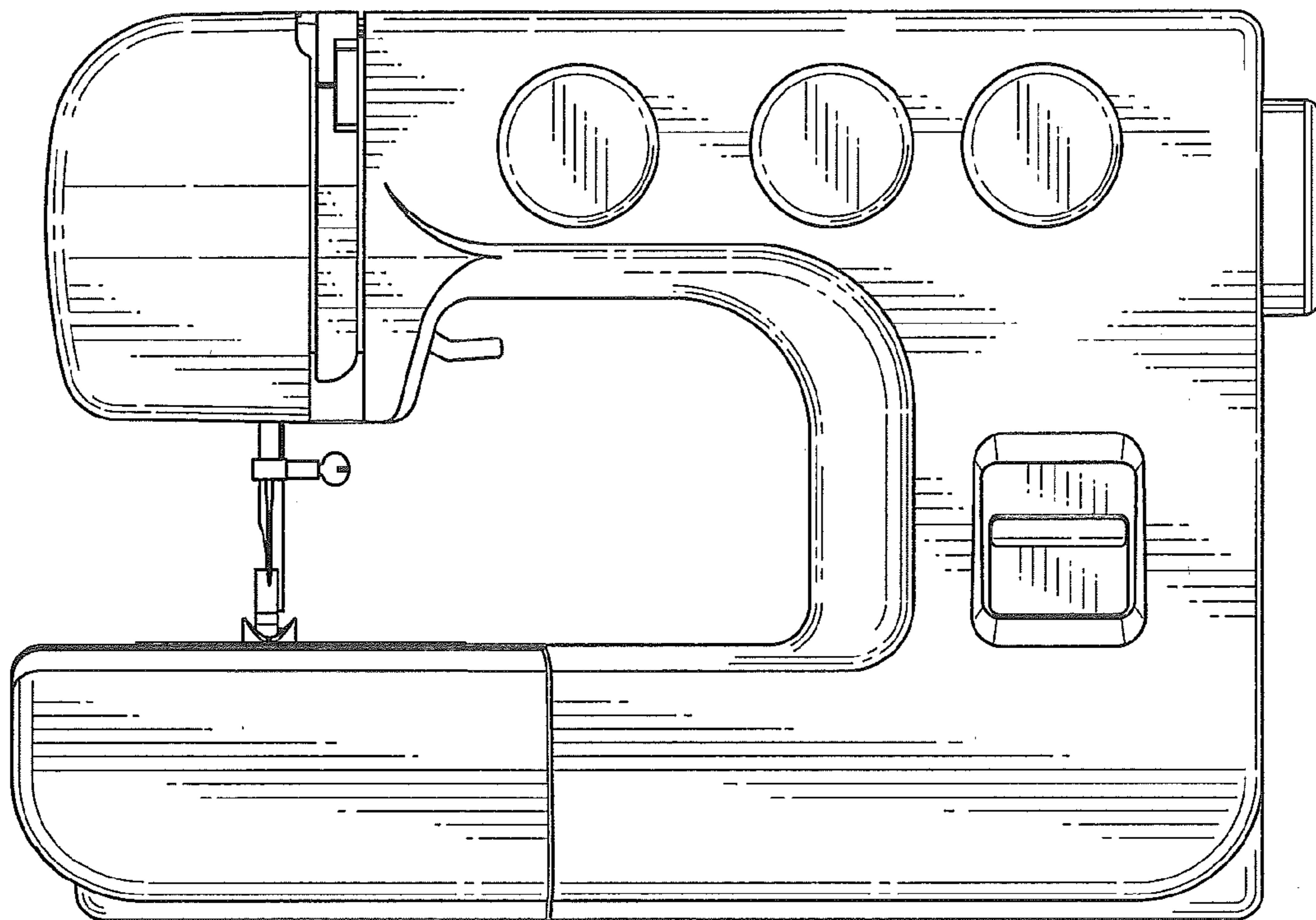
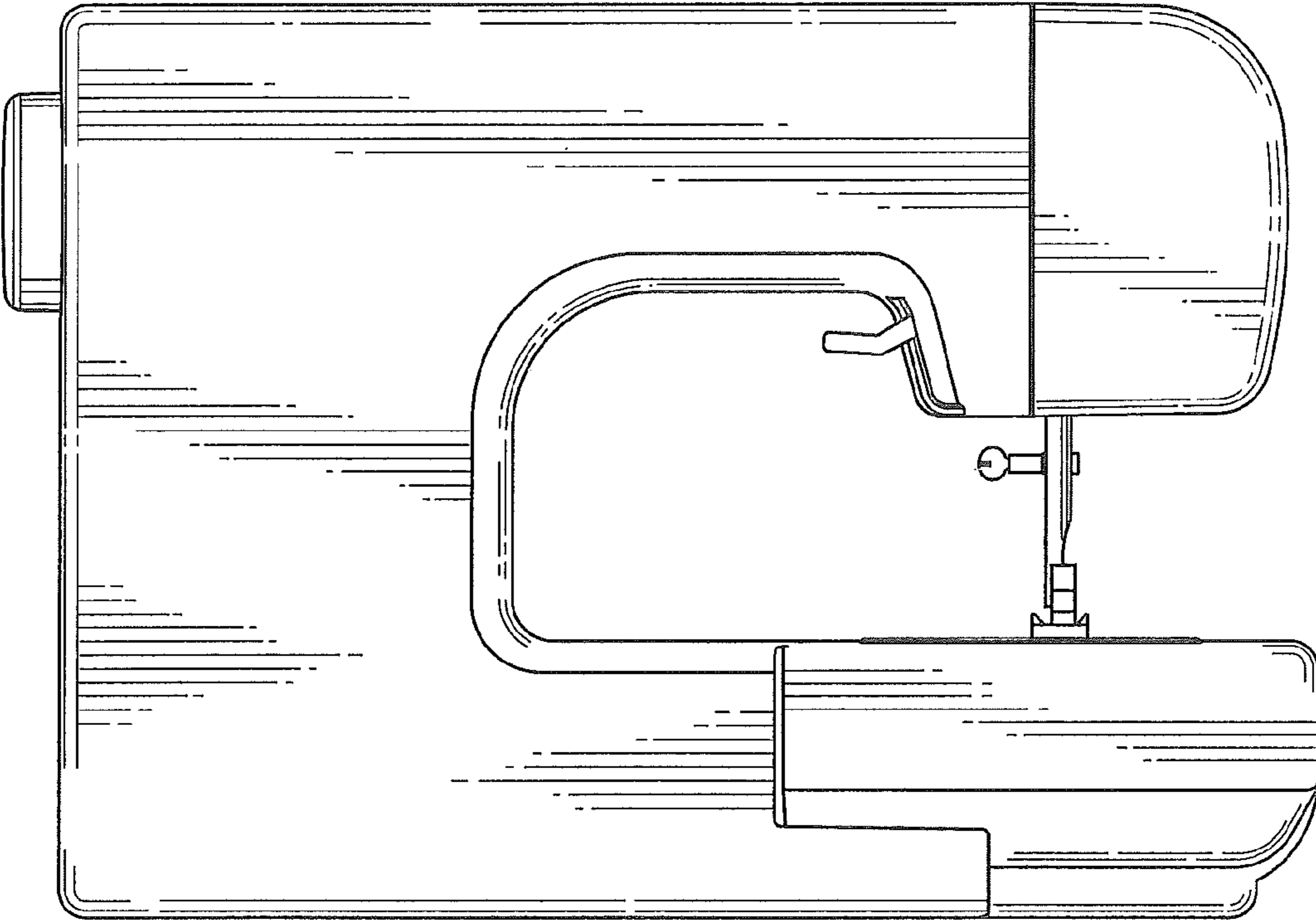


Fig. 11



F i g . 1 2

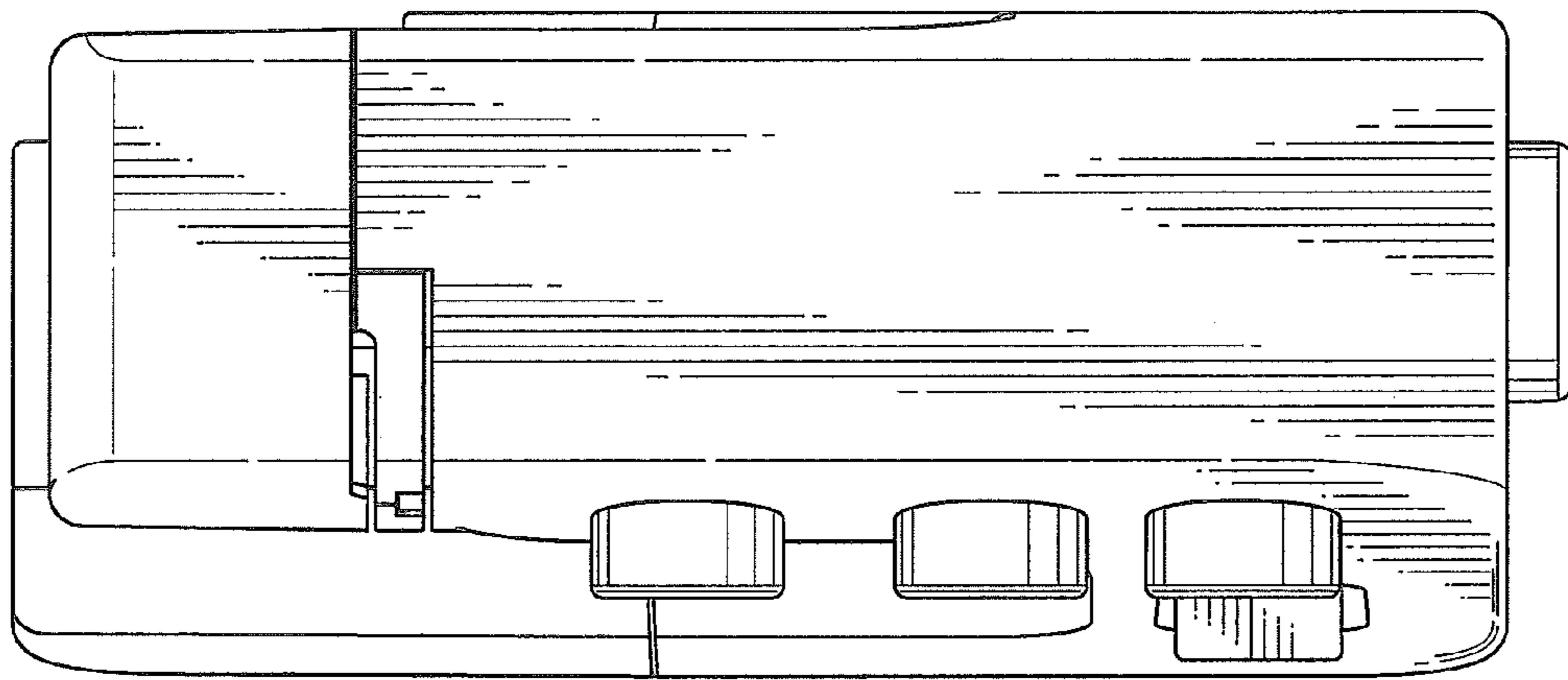


Fig. 13

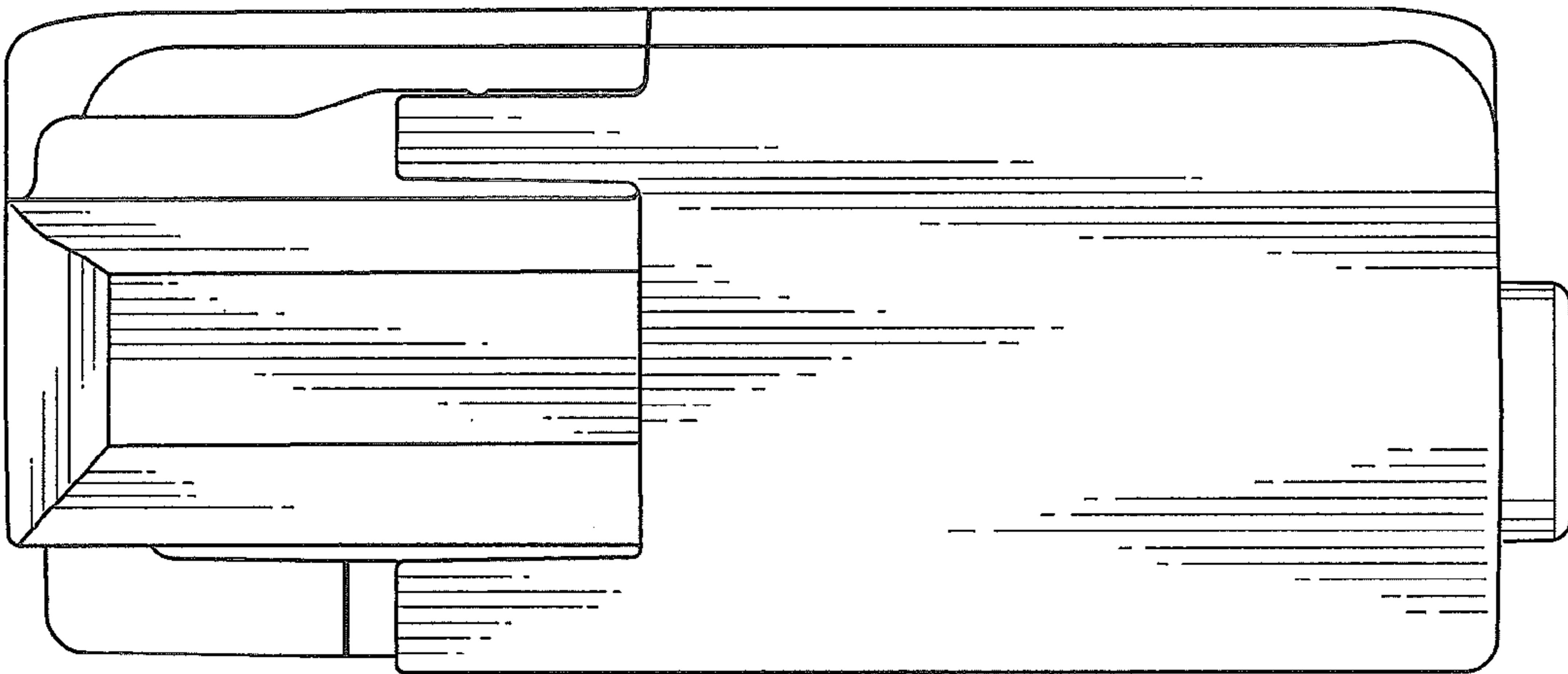


Fig. 14

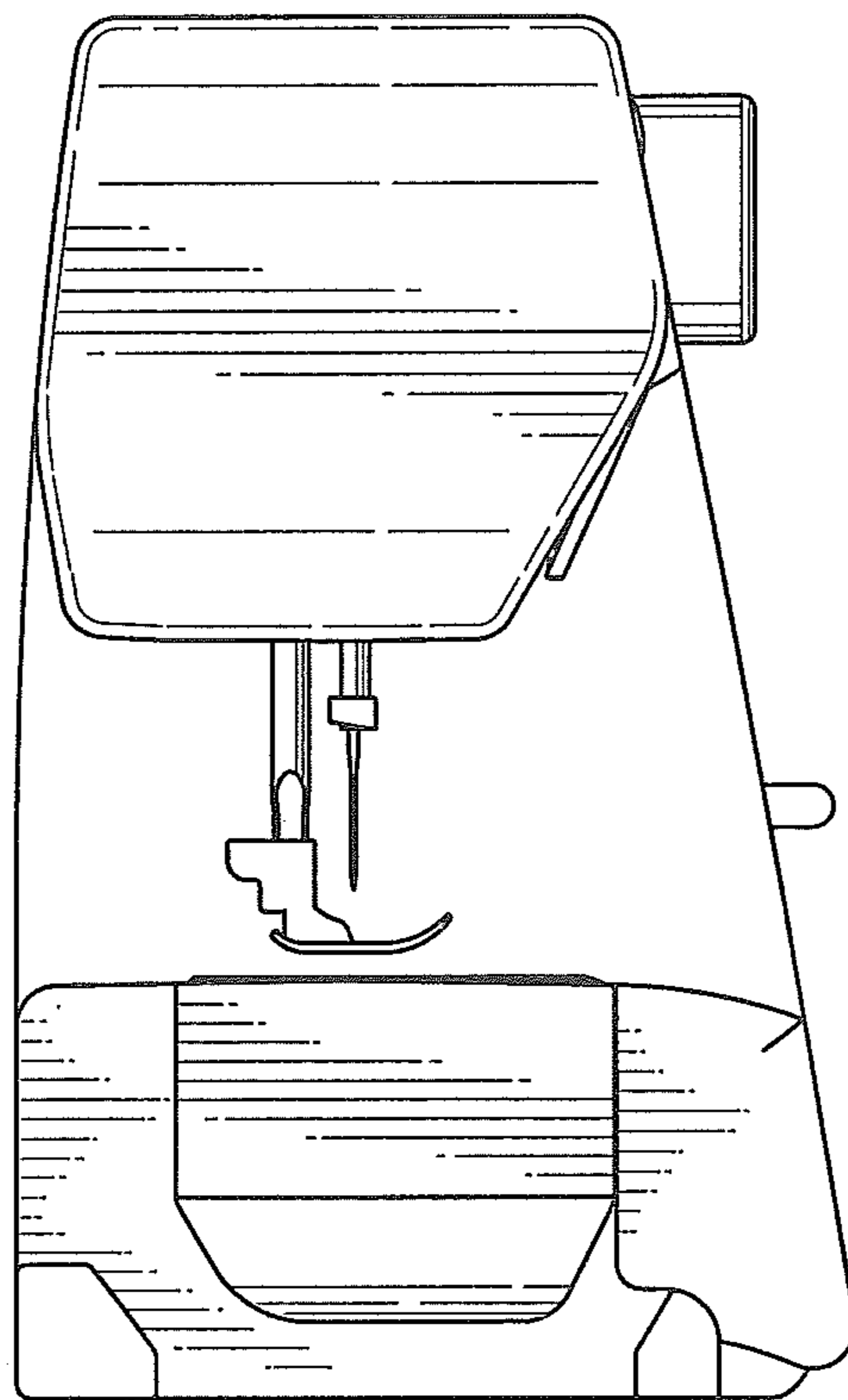




Fig. 15

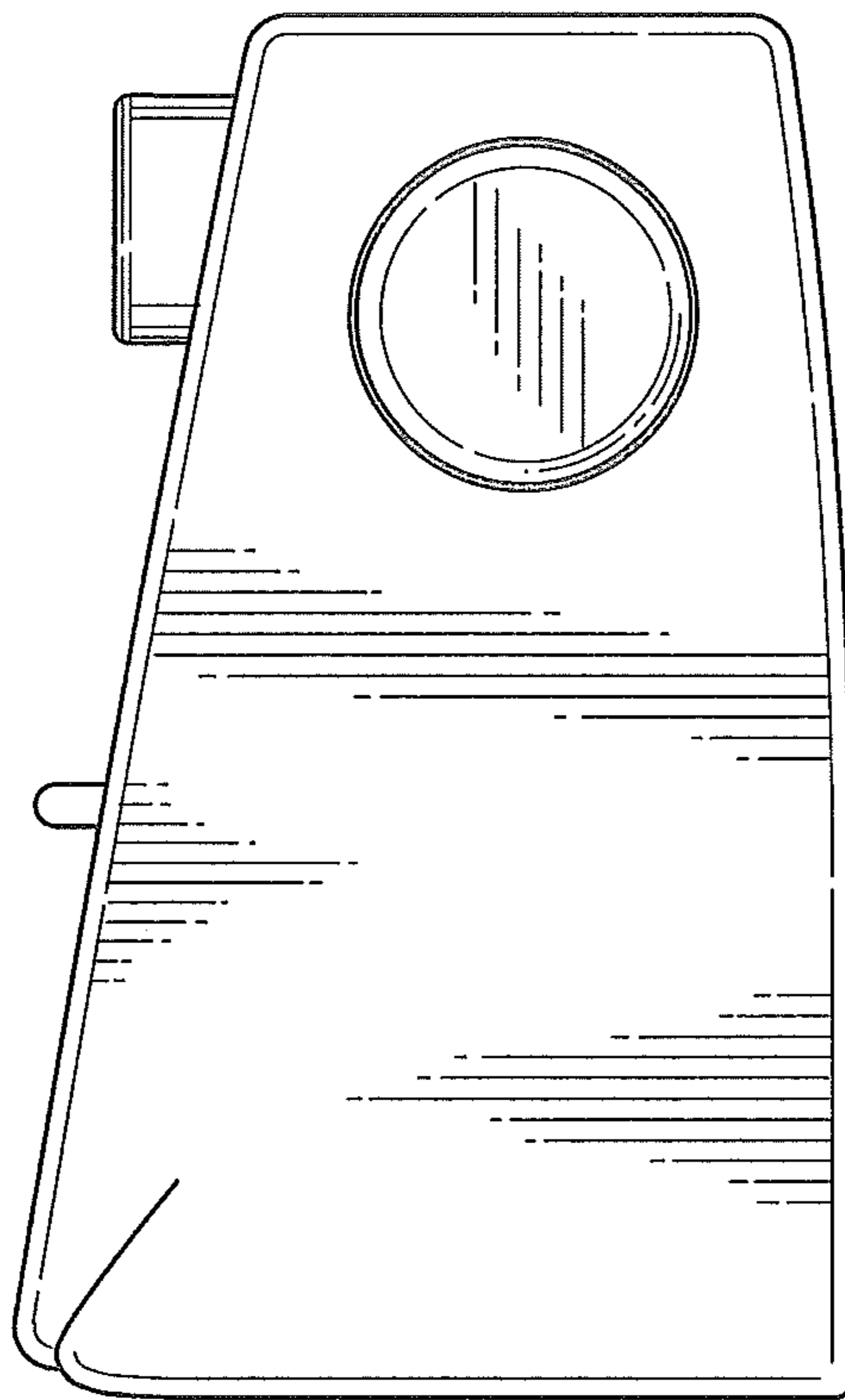


Fig. 16

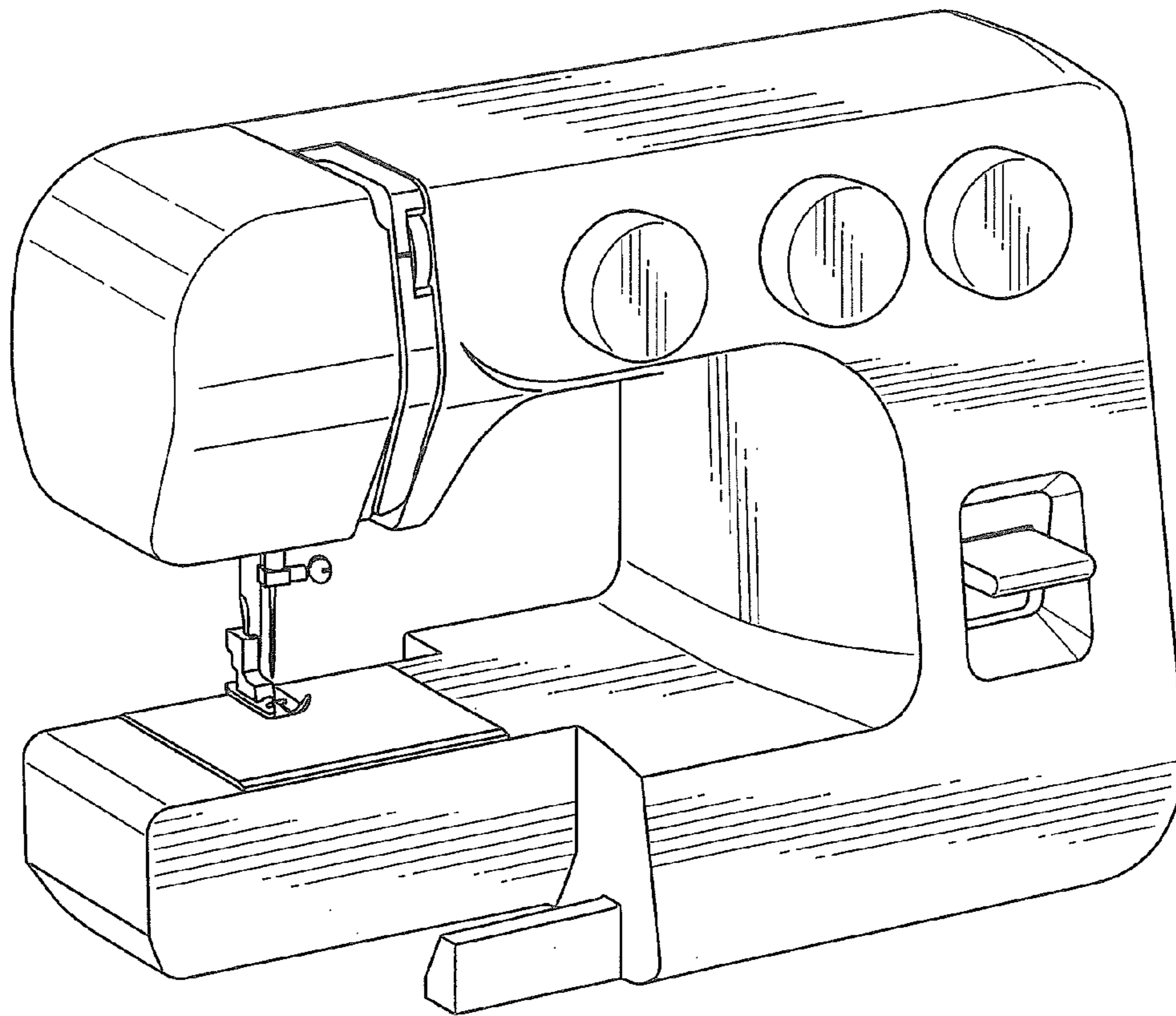


Fig. 17

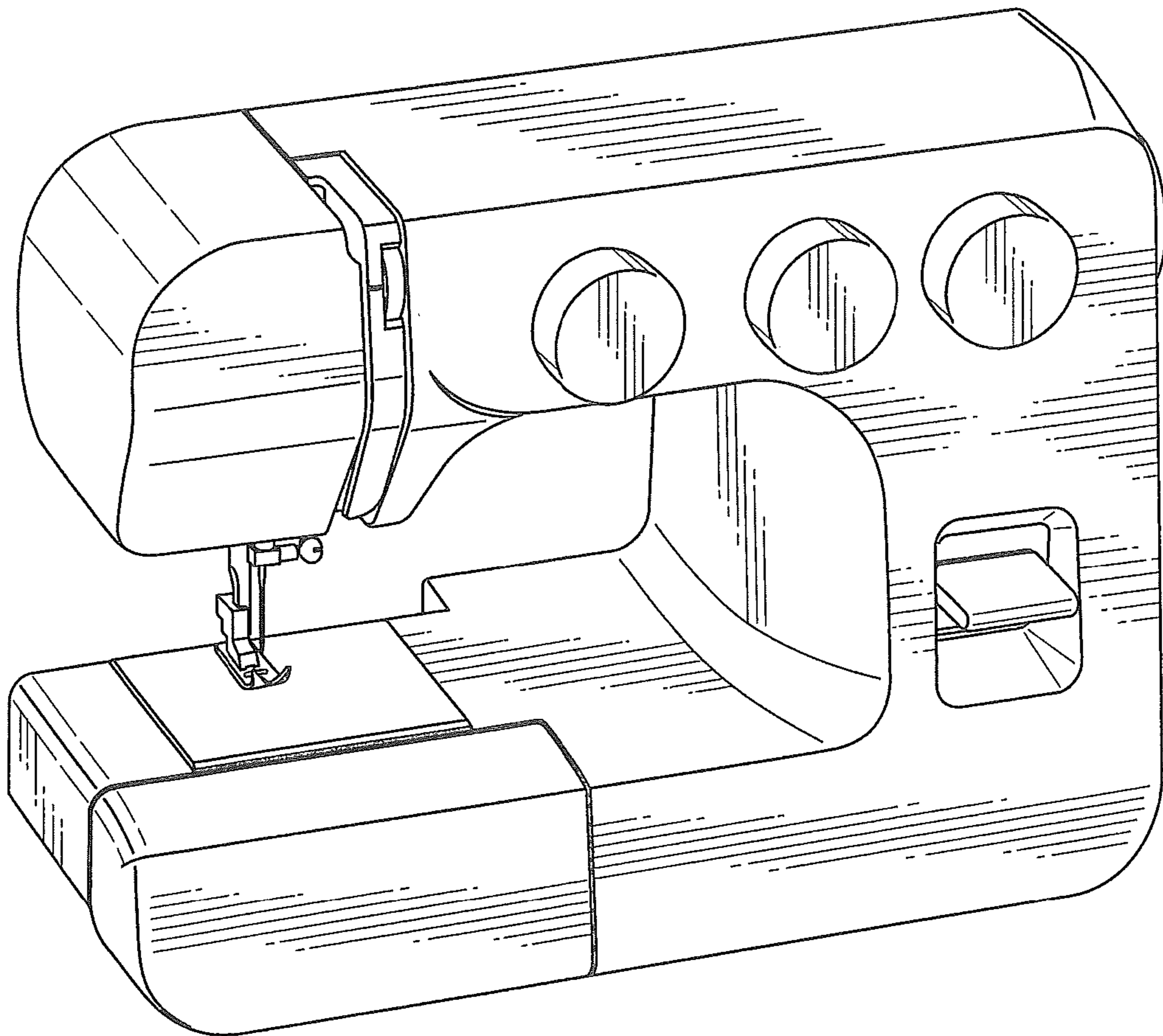


Fig. 18

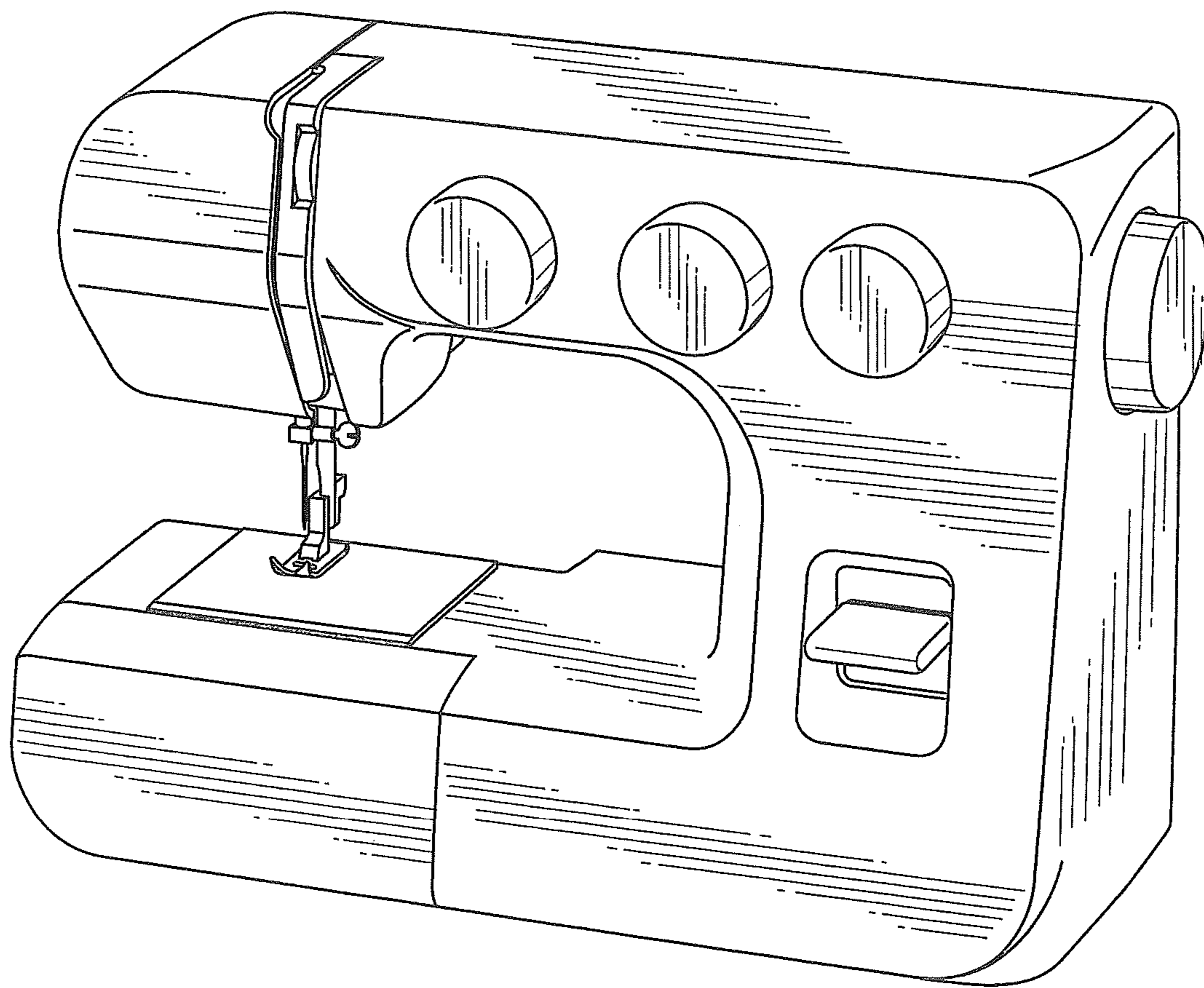


Fig. 19

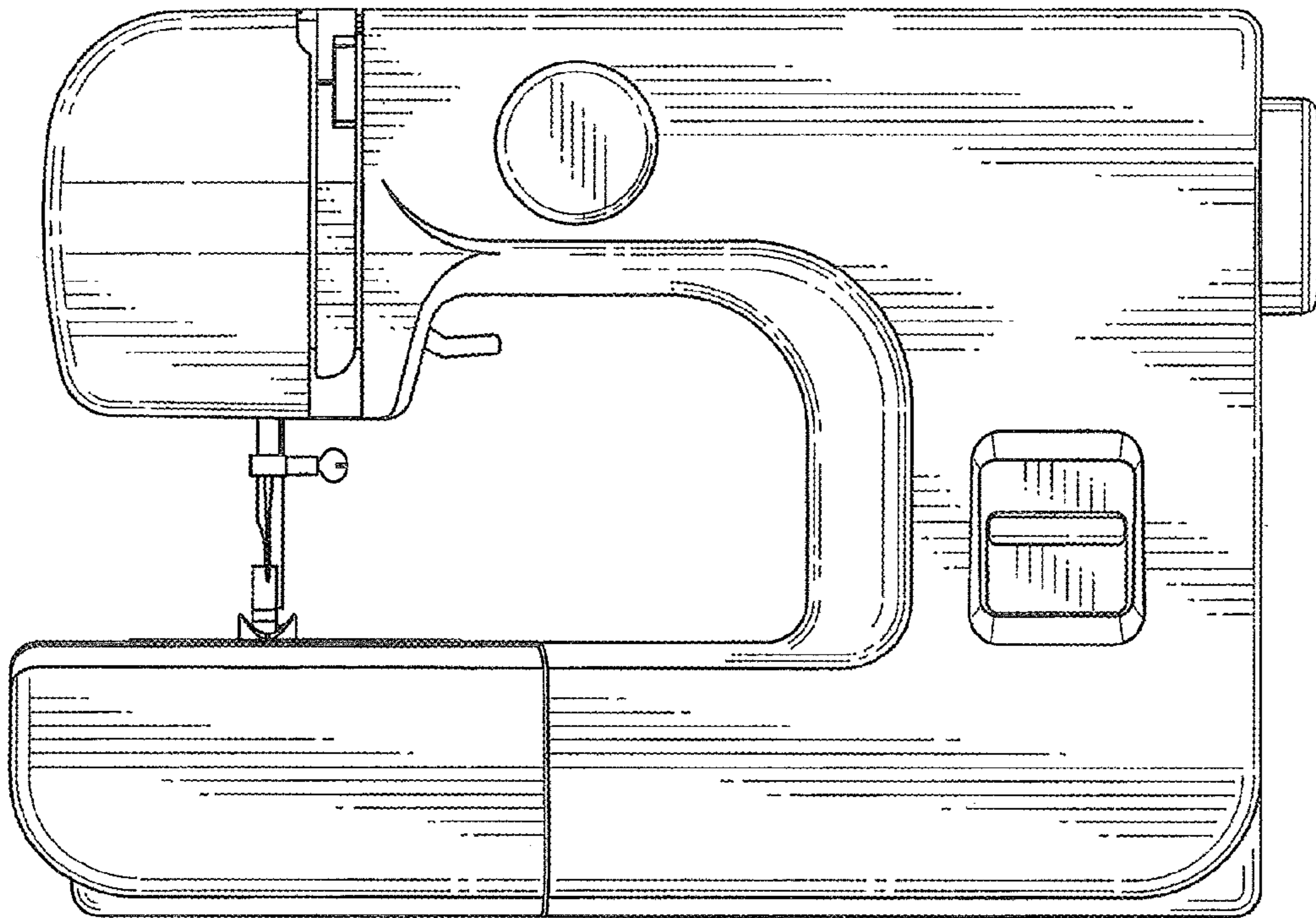
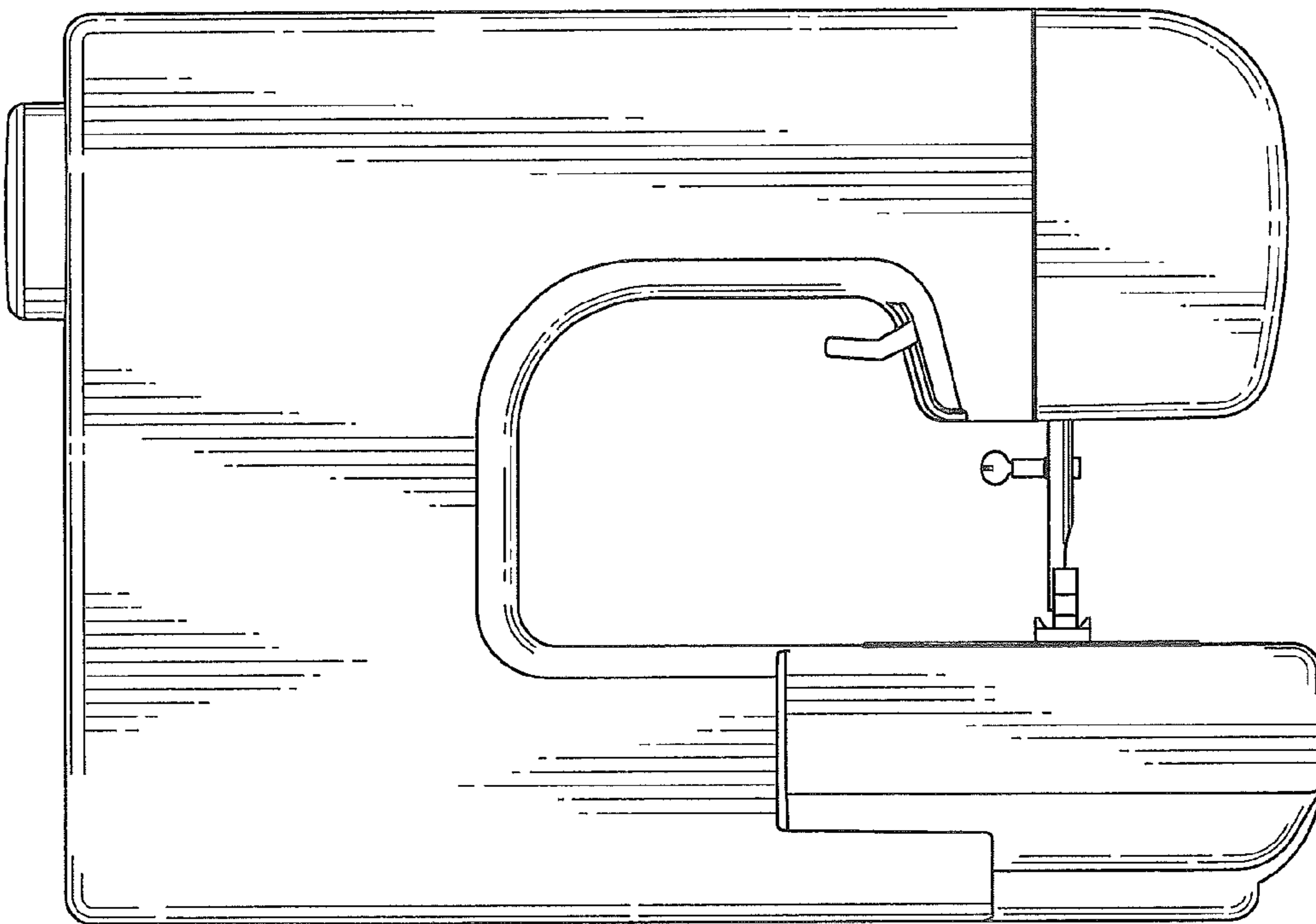


Fig. 20



F i g . 2 1

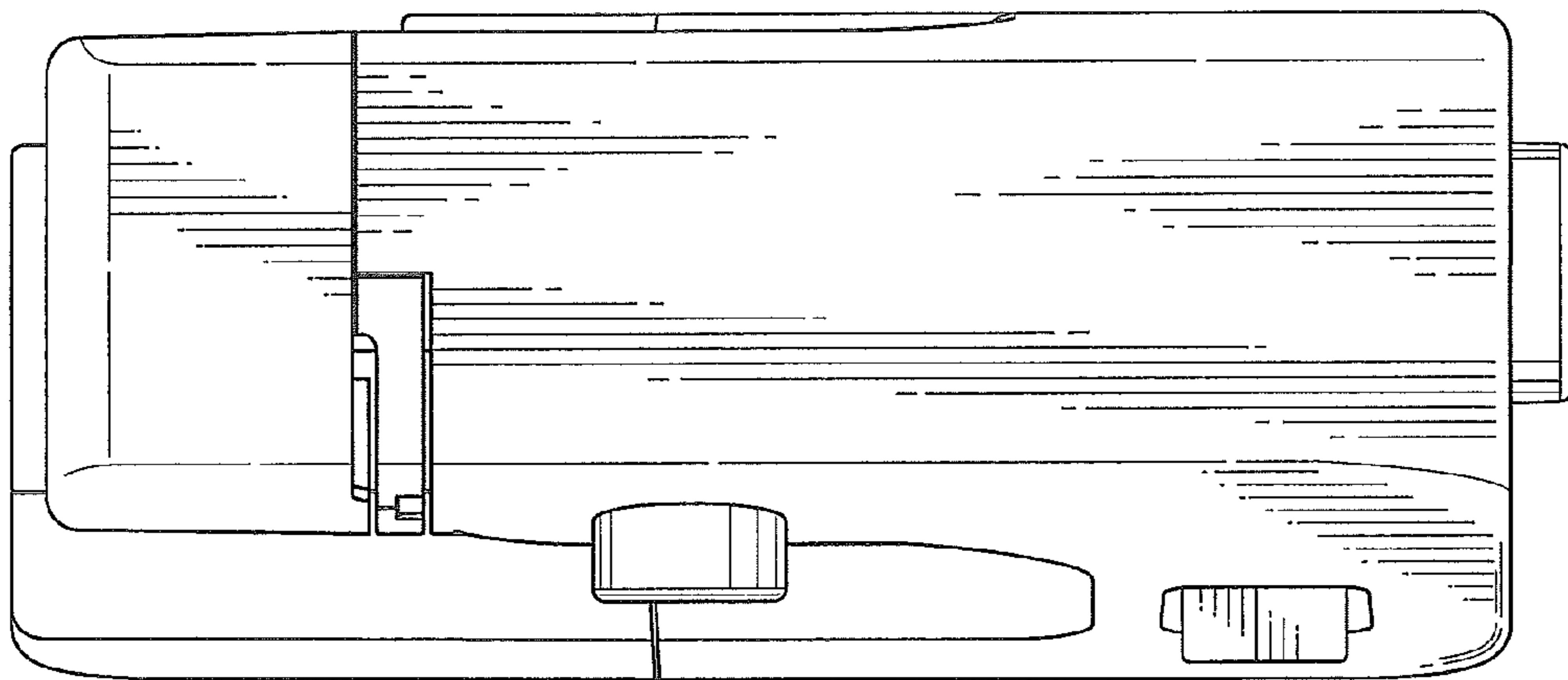
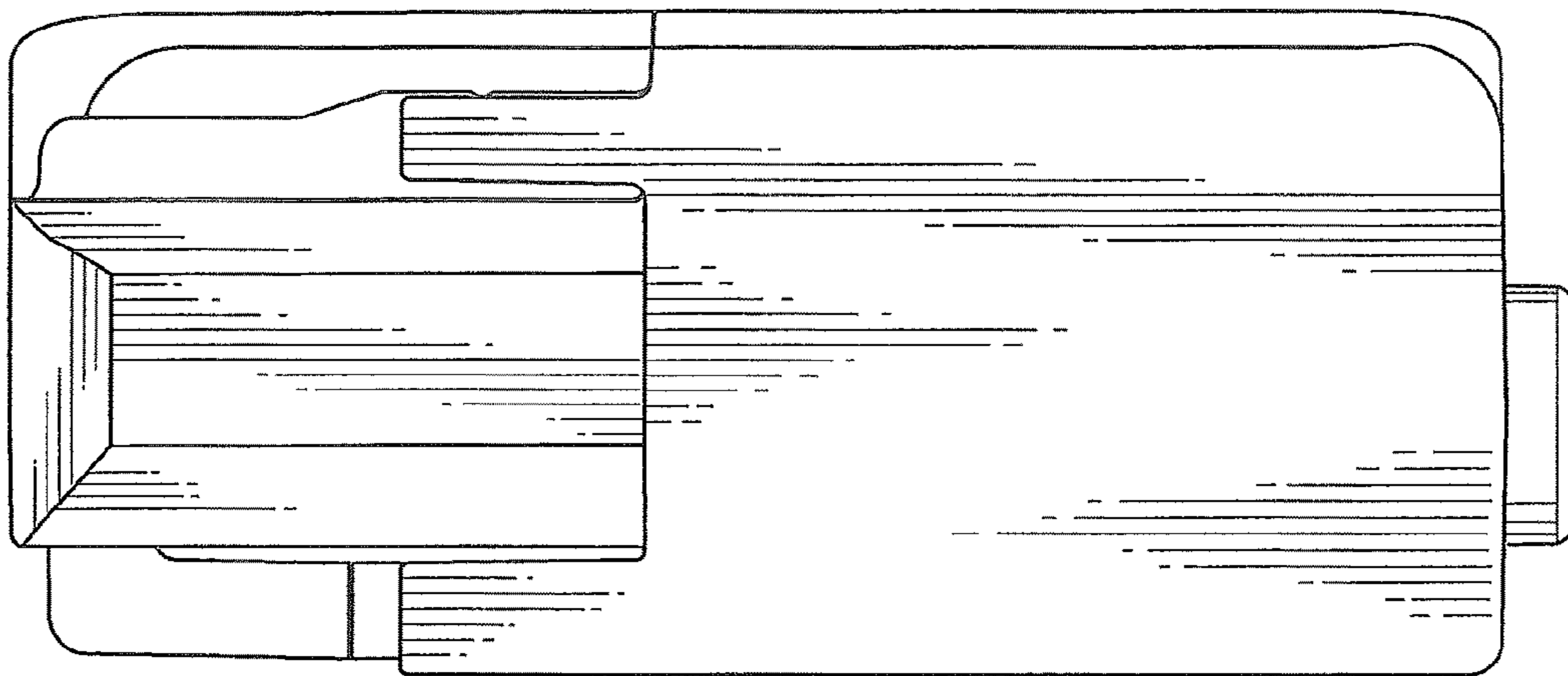
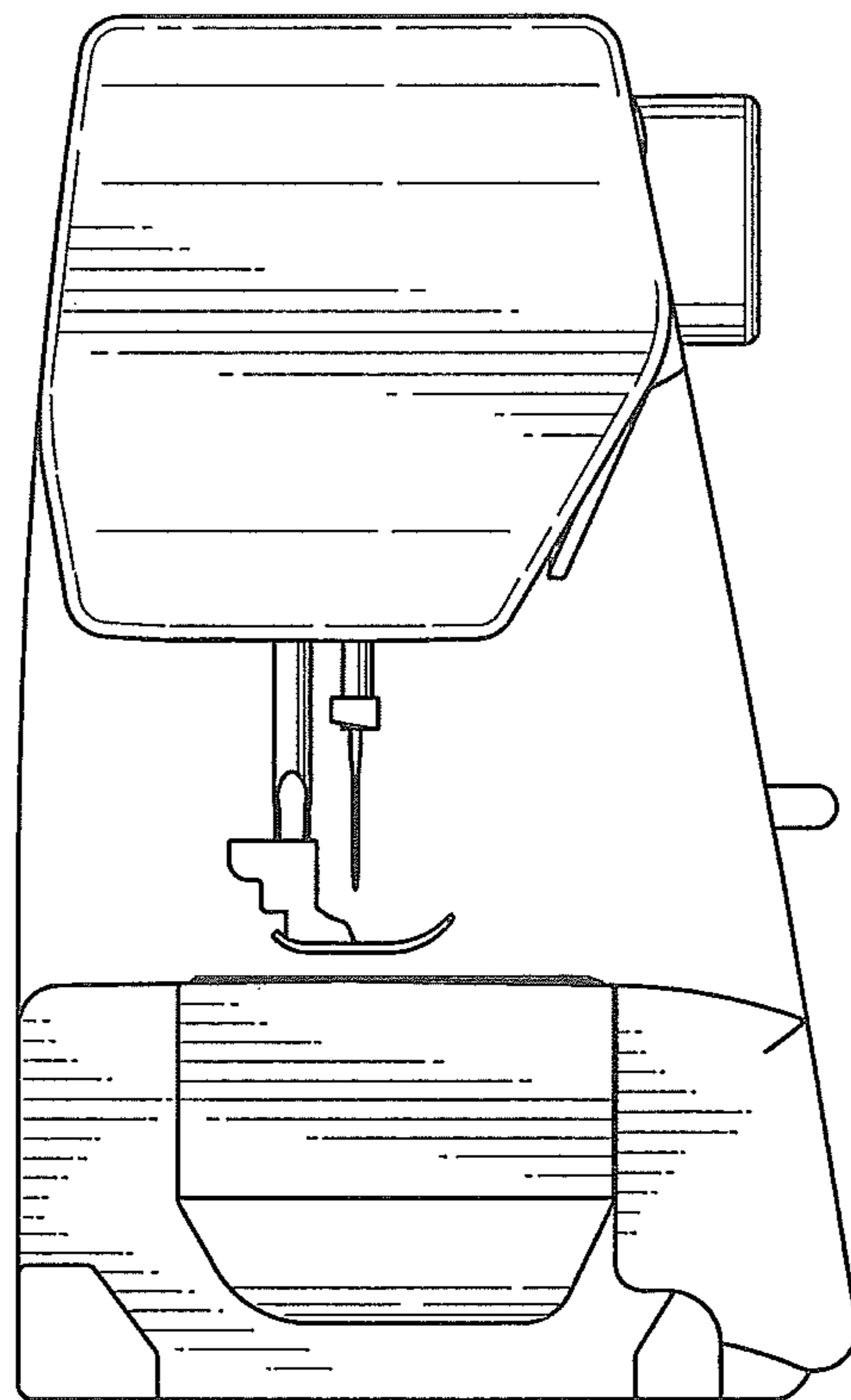


Fig. 22





F i g . 2 3



F i g . 2 4

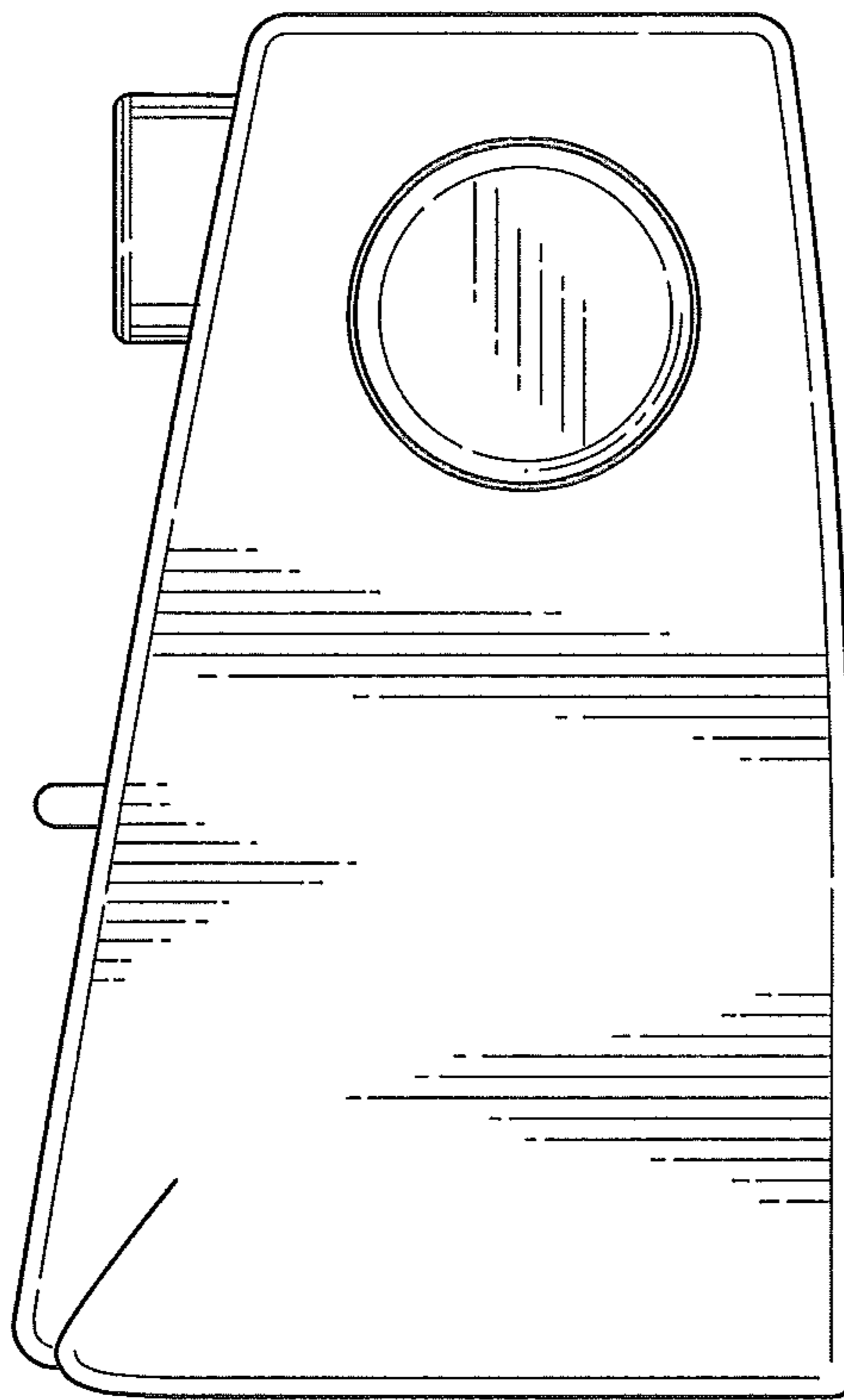


Fig. 25

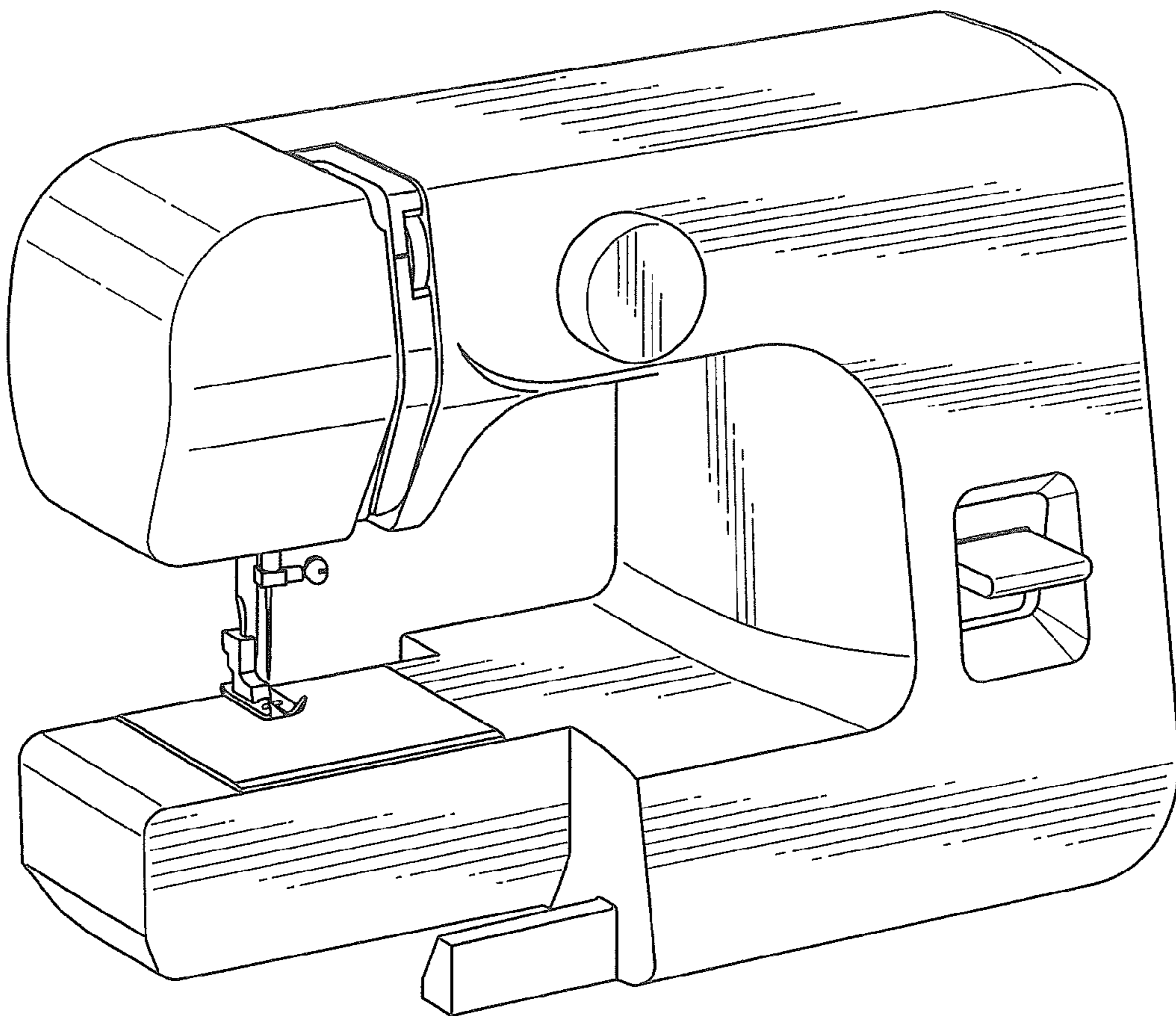


Fig. 26

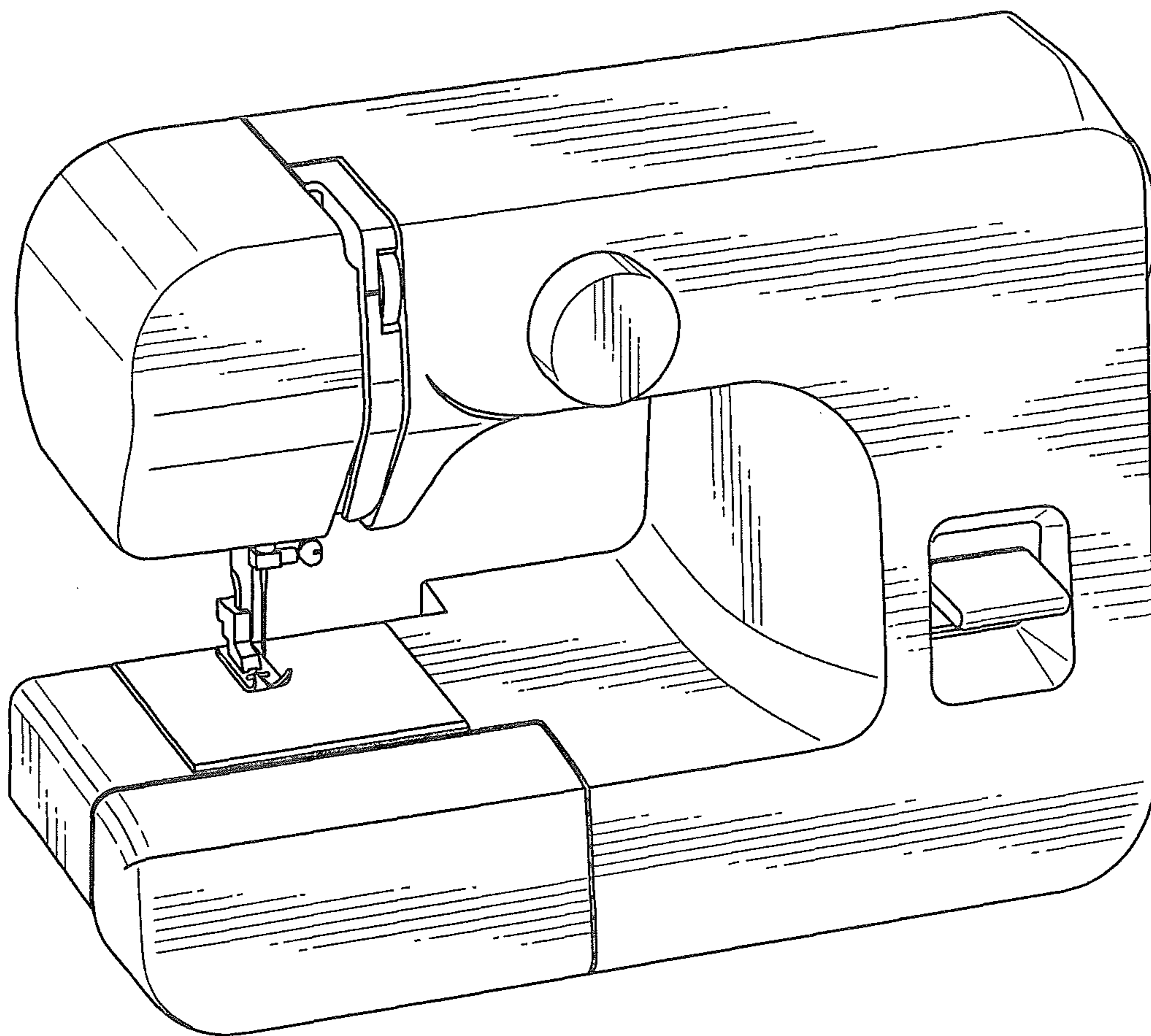


Fig. 27

