



US00D748159S

(12) **United States Design Patent**
Ng

(10) **Patent No.:** **US D748,159 S**
(45) **Date of Patent:** **** Jan. 26, 2016**

(54) **LOOM**
(71) Applicant: **Choon's Design Inc.**, Wixom, MI (US)
(72) Inventor: **Cheong Choon Ng**, Novi, MI (US)
(73) Assignee: **Choon's Design LLC**, Wixom, MI (US)
(**) Term: **14 Years**

1,500,383 A 7/1924 Gourie
1,599,040 A 9/1926 Clisby
1,647,060 A 10/1927 Speidel
1,694,849 A 12/1928 Fujii
1,705,860 A 3/1929 Hagihara
1,718,140 A 6/1929 Hagihara
1,776,561 A 9/1930 La Croix
1,994,659 A 3/1935 De A Mascarenhas
2,072,668 A 3/1937 Eltgroth
2,108,424 A 2/1938 Bakely

(Continued)

(21) Appl. No.: **29/513,296**

(22) Filed: **Dec. 30, 2014**

(51) **LOC (10) Cl.** **15-06**

(52) **U.S. Cl.**
USPC **D15/66**

(58) **Field of Classification Search**
USPC D15/66, 78
CPC A44C 27/00; D03D 26/00; D04B 5/00
See application file for complete search history.

FOREIGN PATENT DOCUMENTS

GB 2147918 5/1985
JP 2003-520083 7/2003

(Continued)

OTHER PUBLICATIONS

How to Make Rubber Band Bracelets Using Twistz Bandz—Instruction #1; <http://www.youtube.com/watch?v=6nInnVEjrLU>; Mar. 28, 2011.

(Continued)

(56) **References Cited**

U.S. PATENT DOCUMENTS

222,937 A 12/1879 Newcomb
246,648 A 9/1881 Wilcox
254,258 A 2/1882 Barbour
254,288 A 2/1882 Dimmick
289,578 A 12/1883 Stewart
426,087 A 4/1890 Wolkow
782,657 A 2/1905 Hubert
843,495 A 2/1907 Sander
968,199 A 8/1910 Schwartz
1,020,963 A 3/1912 Cake
1,073,226 A 9/1913 Freeman
1,176,482 A 3/1916 Orme
1,279,411 A 9/1918 Neuman
1,318,465 A 10/1919 Seifarh
1,318,604 A 10/1919 Schneider
1,366,212 A 1/1921 Pollard
1,375,119 A 4/1921 Stephen
1,405,744 A 2/1922 Sampliner
1,424,458 A 8/1922 Fleisher

Primary Examiner — Mitchell Siegel

(74) *Attorney, Agent, or Firm* — Carlson, Gaskey & Olds, P.C.

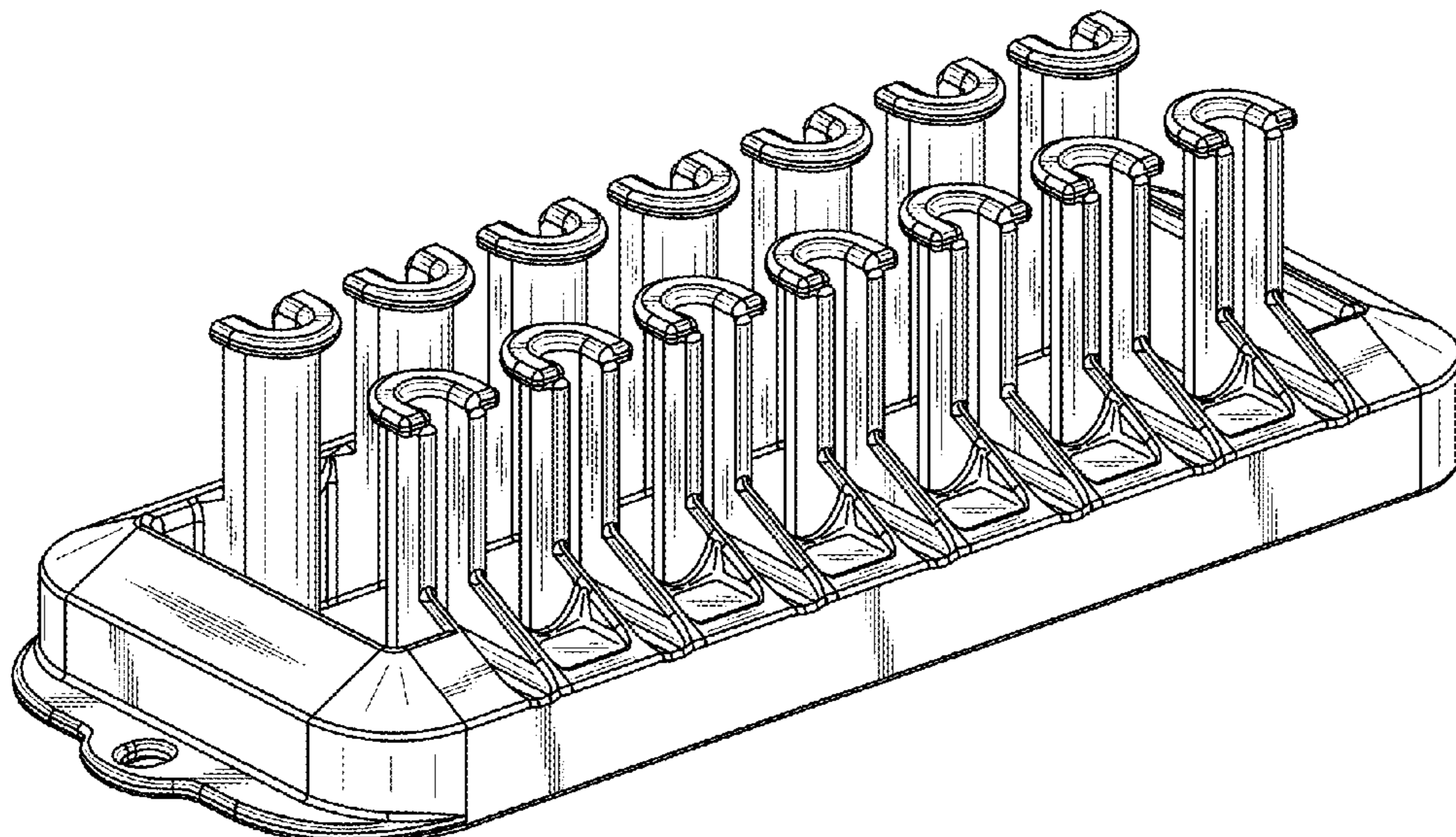
(57) **CLAIM**

The ornamental design for a loom, as shown and described.

DESCRIPTION

FIG. 1 is a perspective view of the loom.
FIG. 2 is a top view of the loom.
FIG. 3 is a side view of the loom.
FIG. 4 is a bottom view of the loom.
FIG. 5 is a first end view of the loom; and,
FIG. 6 is a second end view of the loom.

1 Claim, 2 Drawing Sheets



(56)

References Cited

U.S. PATENT DOCUMENTS

2,134,066 A 10/1938 Van Ness
 2,186,692 A 1/1940 Boyer et al.
 2,270,619 A 1/1942 Bowyer
 2,274,572 A 2/1942 Yates
 2,318,018 A 5/1943 Semonsen
 2,360,416 A 10/1944 Gray
 2,433,307 A 12/1947 Thomas
 2,450,067 A 9/1948 Wolff
 2,457,064 A 12/1948 Parisi
 2,540,383 A 2/1951 Tillert et al.
 2,545,409 A 3/1951 McCall
 2,658,364 A 11/1953 Carlson
 2,666,249 A 1/1954 Ruiz et al.
 2,687,630 A 8/1954 Carlson
 2,703,482 A 3/1955 Auran
 2,707,052 A 4/1955 Brown
 2,726,434 A * 12/1955 Knoblock et al. 28/149
 2,984,488 A 5/1961 Kirchner
 3,054,214 A 9/1962 Smith et al.
 3,069,739 A 12/1962 Jorgenson et al.
 3,112,491 A 12/1963 Cleveland
 D204,442 S 4/1966 Brawley, Jr.
 3,377,674 A 4/1968 Brassaw et al.
 3,438,098 A 4/1969 Grabner
 3,438,223 A 4/1969 Linstead
 3,476,423 A 11/1969 Kentfield
 3,476,426 A 11/1969 Lewin
 3,572,679 A 3/1971 Strauff
 3,636,987 A 1/1972 Forby
 3,648,484 A 3/1972 Gordon
 3,665,971 A 5/1972 Ileks
 3,672,679 A 6/1972 Burns
 3,678,709 A 7/1972 Nowicki et al.
 3,688,357 A 9/1972 Nielsen et al.
 3,693,976 A 9/1972 Flack
 3,728,762 A 4/1973 Hogg
 3,748,706 A 7/1973 Doyel
 3,758,923 A 9/1973 Maude
 3,800,372 A 4/1974 Daoust
 3,805,345 A 4/1974 Antos
 3,853,021 A 12/1974 Hayes
 3,905,133 A 9/1975 Charman
 4,018,543 A 4/1977 Carson et al.
 4,023,245 A 5/1977 Zaltzman
 4,032,179 A 6/1977 Goss
 4,037,513 A 7/1977 Hobson
 4,066,271 A 1/1978 Lohr
 D248,347 S 7/1978 McCollum
 4,114,892 A 9/1978 Csoka
 4,131,138 A 12/1978 Boisvert
 4,179,129 A 12/1979 Loomis
 4,248,063 A 2/1981 Wang
 4,416,040 A 11/1983 Towsley
 4,569,108 A 2/1986 Schwab
 4,629,100 A 12/1986 Owens
 4,667,965 A 5/1987 Helms, Jr.
 4,680,021 A 7/1987 Maxim
 4,729,229 A 3/1988 Whicker
 4,844,473 A 7/1989 Landsberg
 D310,672 S 9/1990 Harvey et al.
 D330,668 S 11/1992 Nagamatsu
 5,163,946 A 11/1992 Li
 5,231,742 A 8/1993 Macbain
 5,295,280 A 3/1994 Hudson et al.
 5,328,374 A 7/1994 Stevens
 5,331,725 A 7/1994 Chou
 5,377,595 A 1/1995 Liu
 5,426,788 A 6/1995 Meltzer
 5,437,459 A 8/1995 Kirby
 5,459,905 A 10/1995 Voyre
 5,577,299 A 11/1996 Thompson et al.
 5,639,090 A 6/1997 Stevens
 5,687,775 A 11/1997 Thompson et al.
 D389,050 S 1/1998 Li
 5,713,094 A 2/1998 Markey et al.

5,888,392 A 3/1999 Frizell
 5,927,764 A 7/1999 Harriman
 D425,784 S 5/2000 Beugelsdyk et al.
 6,065,968 A 5/2000 Corliss
 D426,425 S 6/2000 Hermanski
 6,122,859 A 9/2000 Lazar
 6,129,551 A 10/2000 Martin
 6,131,778 A 10/2000 Etzion
 6,146,144 A 11/2000 Fowler et al.
 6,149,436 A 11/2000 Dunn
 6,171,317 B1 1/2001 Jackson et al.
 6,213,918 B1 4/2001 Rogers, Jr.
 6,550,177 B1 4/2003 Epple, Jr.
 D478,738 S 8/2003 Workman
 6,880,364 B1 4/2005 Vidolin et al.
 6,923,026 B1 8/2005 Clarke
 7,040,120 B2 5/2006 Hunter
 D552,463 S 10/2007 French et al.
 D562,358 S 2/2008 Landmesser
 D563,997 S * 3/2008 Gustin D15/78
 D570,923 S 6/2008 Vazquez Gastellu
 D578,383 S 10/2008 Adams
 7,506,524 B2 3/2009 Gustin
 D592,537 S 5/2009 Darnell
 7,578,146 B2 8/2009 Gustin
 7,617,947 B2 11/2009 Schafer
 D608,189 S 1/2010 Jackson et al.
 7,909,609 B2 3/2011 Molin
 D635,594 S * 4/2011 Novak D15/78
 8,316,894 B2 11/2012 Schaub
 8,402,794 B2 3/2013 Sasur
 8,418,434 B1 4/2013 Carruth et al.
 8,485,565 B2 7/2013 Ng
 D690,191 S 9/2013 Takakuwa et al.
 8,622,441 B1 1/2014 Ng
 8,684,420 B2 4/2014 Ng
 D711,931 S * 8/2014 Daftari D15/66
 D721,744 S * 1/2015 Daftari D15/66
 8,931,811 B1 * 1/2015 Ng 289/17
 8,936,283 B2 * 1/2015 Ng 289/17
 8,973,955 B2 * 3/2015 Ng 289/17
 2007/0114340 A1 5/2007 Adams
 2007/0199965 A1 8/2007 Gouldson
 2008/0156043 A1 * 7/2008 Gustin 66/4
 2008/0223083 A1 * 9/2008 Gustin 66/1 A
 2009/0215013 A1 8/2009 Molin
 2010/0019495 A1 1/2010 Oliveto
 2011/0152946 A1 6/2011 Frigg et al.
 2011/0259465 A1 * 10/2011 Schaub 139/29
 2012/0047960 A1 3/2012 Sasur
 2012/0112457 A1 5/2012 Ng
 2013/0020802 A1 1/2013 Ng
 2013/0300114 A1 11/2013 Ng
 2013/0307267 A1 11/2013 Ng

FOREIGN PATENT DOCUMENTS

JP 2004-520910 7/2004
 JP D1393632 8/2010
 JP D1501836 7/2014
 JP D1501837 7/2014
 KR 10-2001-0012609 2/2001
 KR 10-2006-0042108 5/2006

OTHER PUBLICATIONS

Various rubber band crafts and bracelets using Rainbow Loom®; <http://www.youtube.com/watch?v=oM6sOkZFz5o>; Mar. 30, 2011.
 How to make “Diamond” pattern rubber band bracelet using the Rainbow Loom® Kit; <http://www.youtube.com/watch?v=dZa8dpZasKA>; Jun. 8, 2011.
 (Rainbow Loom®) Twistz Bandz product—with bloopers; http://www.youtube.com/watch?v=DbzS5u8ib_0; Jul. 6, 2011.
 Defendants’ Preliminary Non-Binding Invalidity Contentions, *Choon’s Design LLC v. Zenacon, LLC et al.*, United States District Court for the Eastern District of Michigan, Case No. 2:13-cv-13568-PJD-RSW, Mar. 7, 2014.

(56)

References Cited

OTHER PUBLICATIONS

Decision to Institute of Inter Partes Review of U.S. Pat. No. 8485565 dated May 20, 2014, Case IPR2014-00218, from the United States Patent and Trademark Office.

Petitioner's Request for Rehearing Under 37 CFR §42.71(d) filed on Jun. 3, 2014, Case IPR2014-00218, from the United States Patent and Trademark Office.

U.S. Appl. No. 13/938,717, filed Jul. 10, 2013, entitled "Brunnian Link Making Device And Kit".

U.S. Appl. No. 14/329,099, filed Jul. 11, 2014, entitled "Brunnian Link Making Device And Kit".

U.S. Appl. No. 13/626,057, filed Sep. 25, 2012, entitled "Brunnian Link Making Device and Kit".

U.S. Appl. No. 14/331,456, filed Jul. 15, 2014, entitled "Hand Held Link Making Device and Kit".

U.S. Appl. No. 14/270,635, filed May 6, 2014, entitled "Device For Forming Brunnian Links".

Design U.S. Appl. No. 29/468,891, filed Oct. 24, 2013, entitled "Brunnian Link Forming Loom".

Design U.S. Appl. No. 29/468,549, filed Oct. 1, 2013, entitled "Brunnian Link Forming Loom".

U.S. Appl. No. 14/226,096, filed Mar. 26, 2014, entitled "Monster Tail Loom For Forming Brunnian Links".

International Search Report and Written Opinion for International Application No. PCT/US14/54492 mailed Jan. 5, 2015.

European Search Report for EP Application No. 14184490.2 dated Dec. 23, 2014.

International Search Report & Written Opinion for International Application No. PCT/US2011/041553 mailed on Feb. 23, 2012.

International Preliminary Report on Patentability for International Application No. PCT/US2011/041553 mailed on May 16, 2013.

Petition for Inter Partes Review of U.S. Pat. No. 8,485,565 and Exhibits, filed in the United States Patent and Trademark Office, Case No. IPR2014-00218.

United Kingdom Combined Search and Examination Report for Application No. GB1416090.1 dated Oct. 16, 2014.

United Kingdom Combined Search and Examination Report for Application No. GB1416091.5 dated Oct. 16, 2014.

International Search Report and Written Opinion for International Application No. PCT/US14/46106 mailed Oct. 18, 2014.

International Search Report and Written Opinion for International Application No. PCT/US14/54475 mailed Oct. 27, 2014.

How to make a fishtail rainbow loom bracelet; <http://www.youtube.com/watch?v=ukv83Cvq3jk>; Jul. 13, 2013.

European Search Report for EP Application No. 13840473.6 dated Jul. 3, 2014.

Petition for Post-Grant Review of U.S. Pat. No. 8,684,420 and Exhibits, filed in the United States Patent and Trademark Office on Aug. 5, 2014, Case No. PGR2014-00008.

Petition for Inter Partes Review of U.S. Pat. No. 8,485,565 and Exhibits, filed in the United States Patent and Trademark Office on Aug. 20, 2014, Case No. IPR2014-01353.

Takacas, Sarah (SarahLynnTea), How to Make Rubber Band Bracelets'; Published Apr. 15, 2009 <http://www.youtube.com/watch?v=e0k762PJ-D8>.

Introduction video—Rainbow Loom (the next generation Twistz Bandz kit). Published Sep. 24, 2012. <http://www.youtube.com/watch?v=FUwf3CheGuw>.

Lesson 21: "Sweet Heart" Rainbow Loom Bracelet by Choon; Published Jan. 21, 2013 <http://www.youtube.com/watch?v=7I8MbYceEC0>.

Rainbow Loom from Choon's Design, LLC; Published Jul. 24, 2013 <http://www.youtube.com/watch?v=vhiVxnbE0CE>.

How to make a rainbow loom starburst bracelet; Published Aug. 1, 2013 <http://www.youtube.com/watch?v=RI7AkI5dJzo>.

How To: Make the Rainbow Loom Single Band Bracelet; Published Aug. 12, 2013 <http://www.youtube.com/watch?v=Wd3UdqPmKbA>.

* cited by examiner

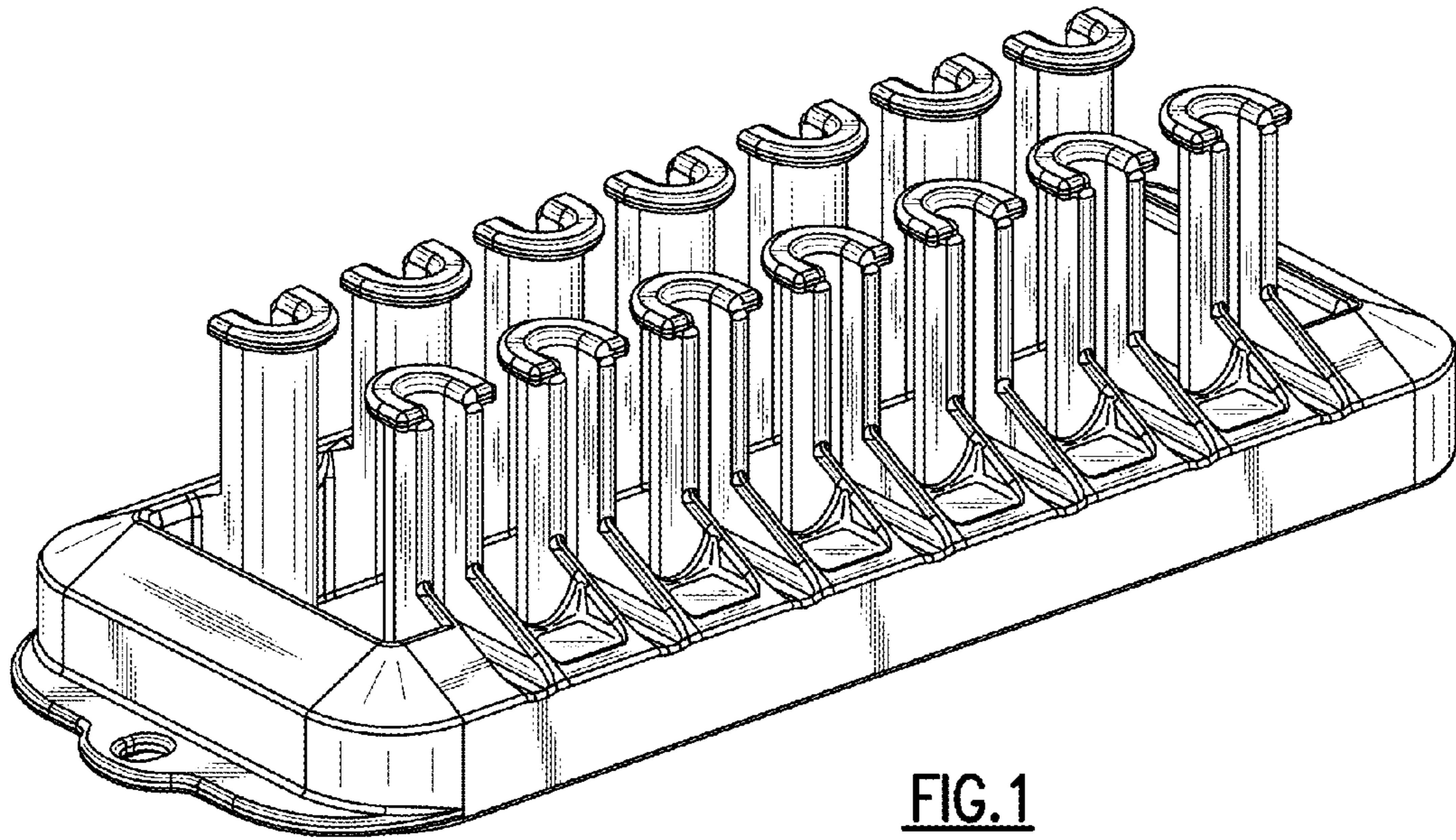


FIG. 1

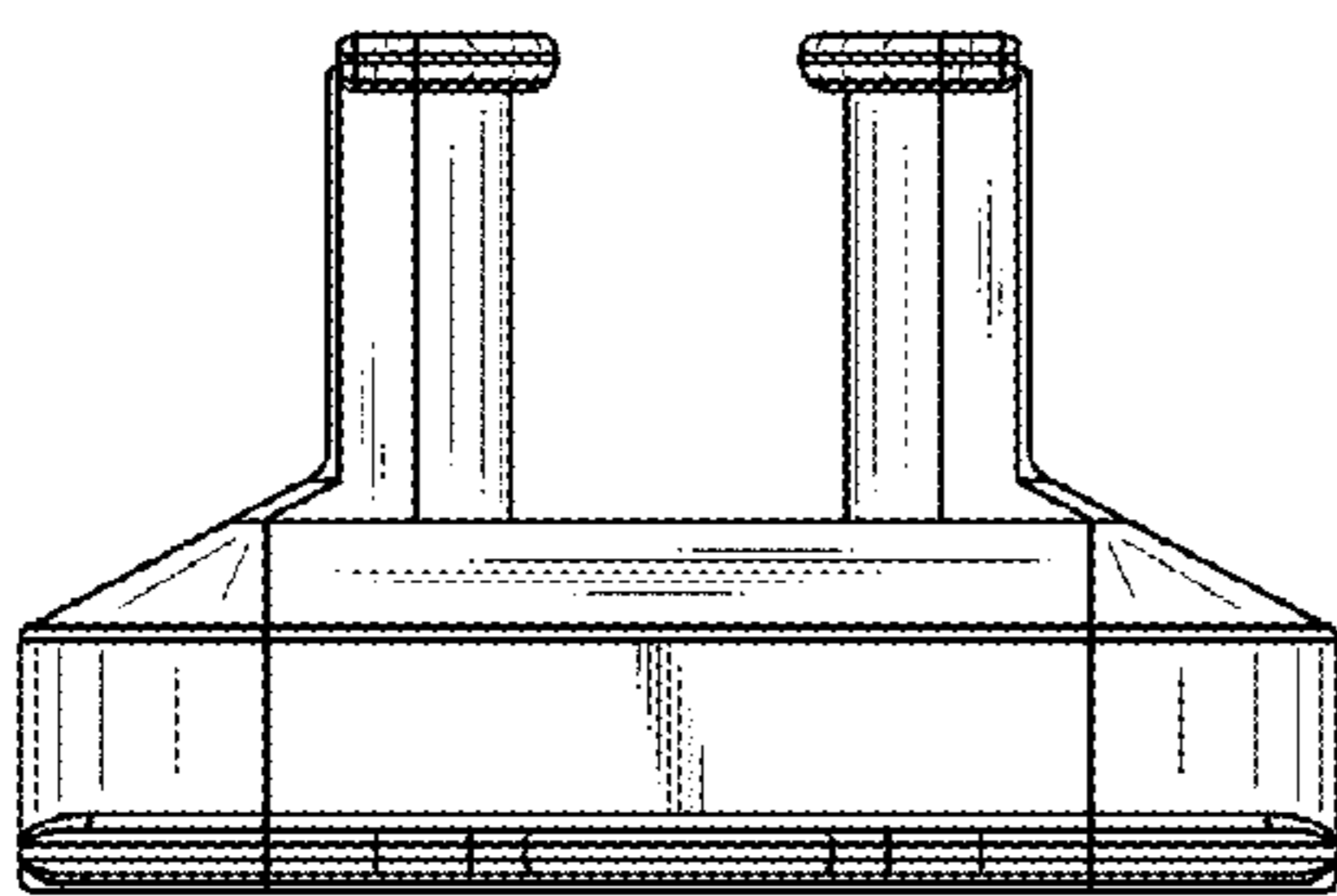


FIG. 5

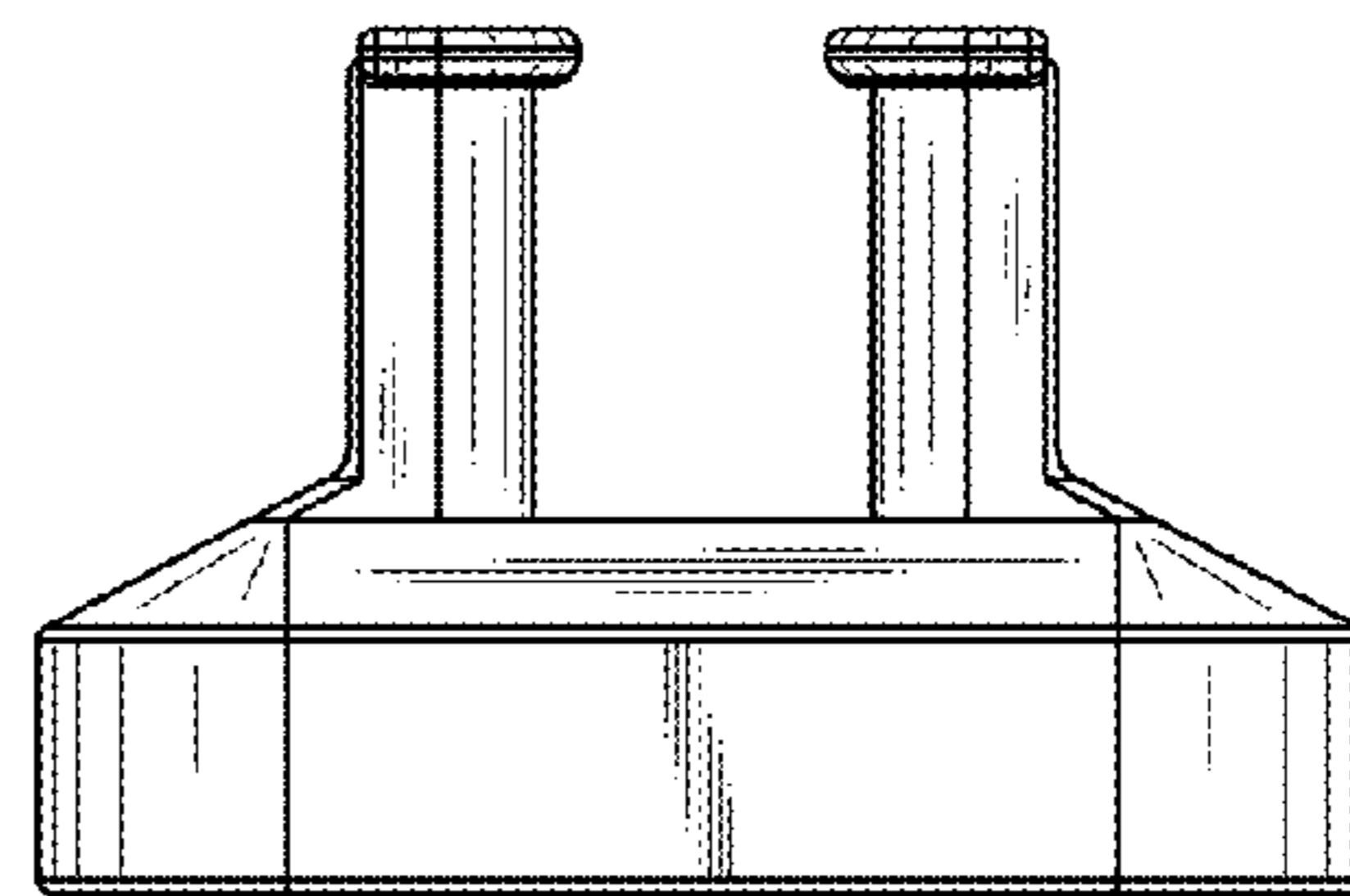


FIG. 6

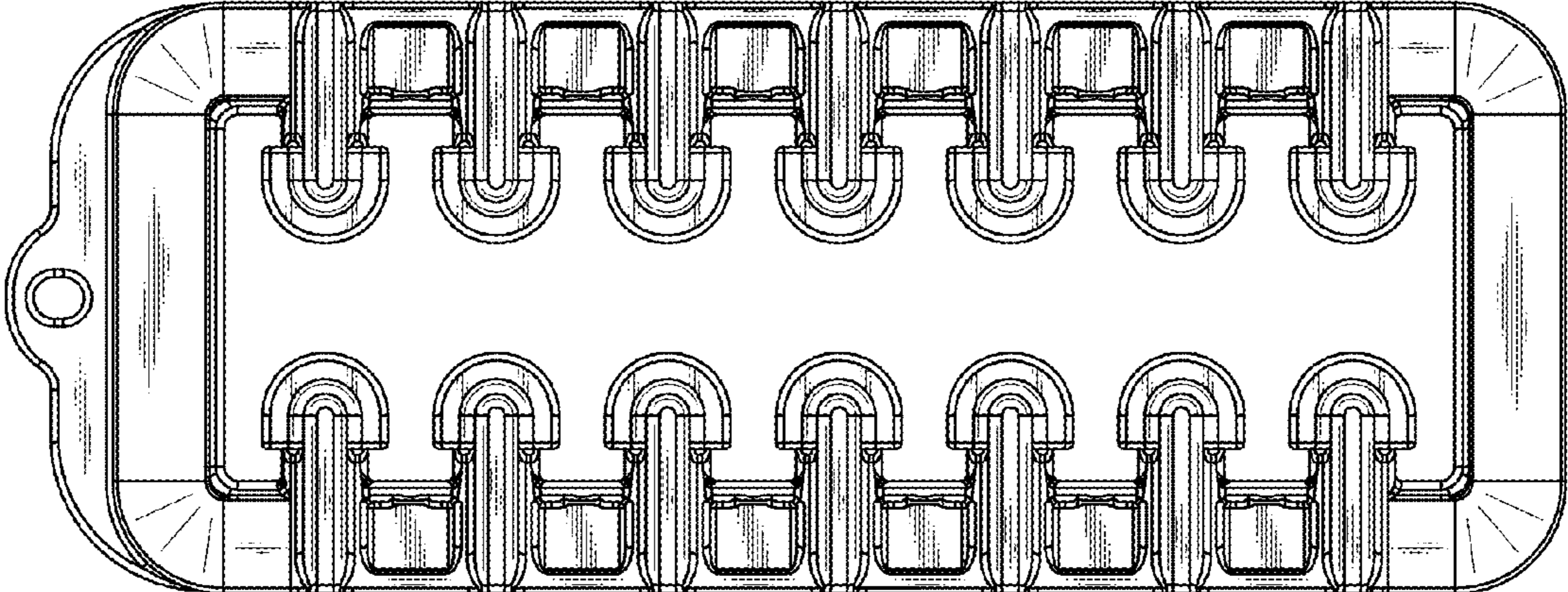


FIG. 2

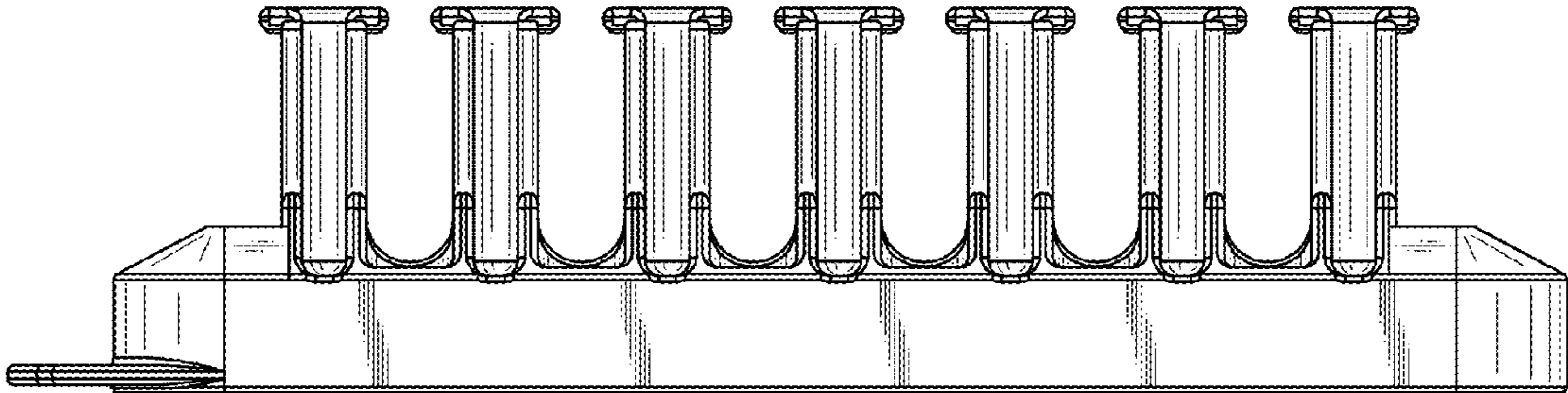


FIG. 3

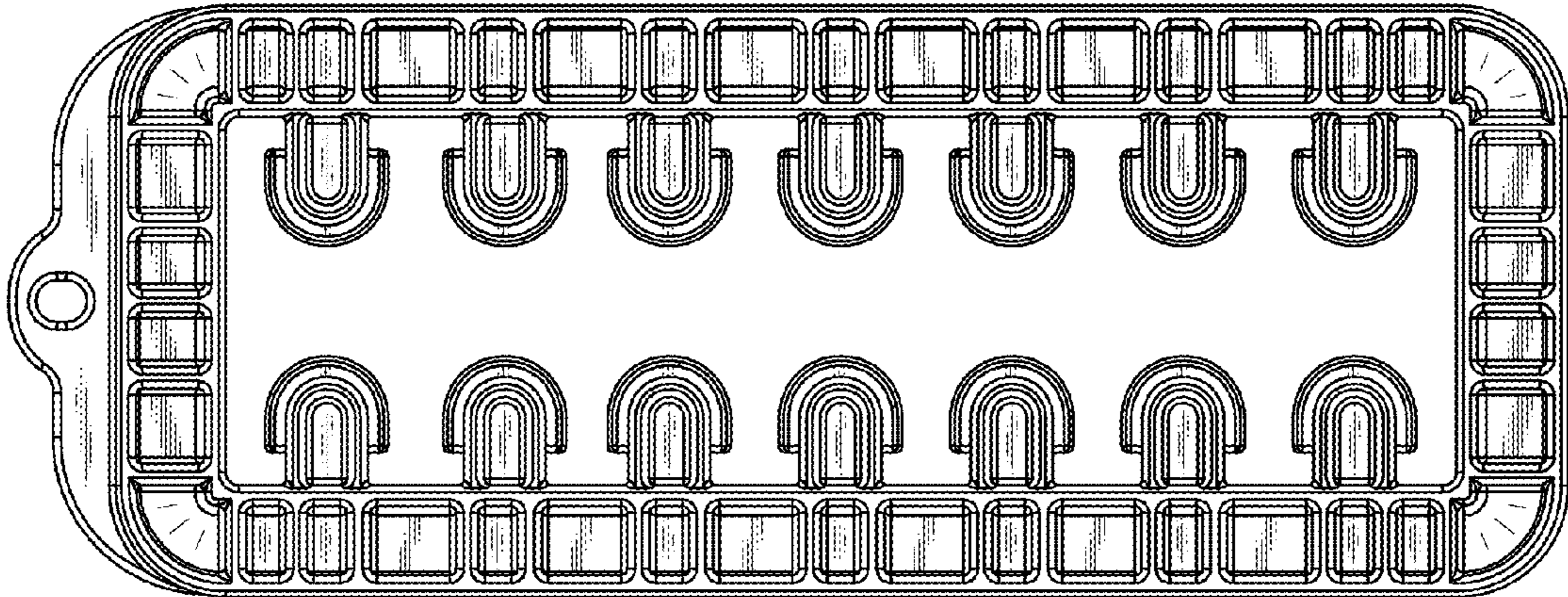


FIG. 4