



US00D748158S

(12) **United States Design Patent**
Ng

(10) **Patent No.:** **US D748,158 S**
(45) **Date of Patent:** **** Jan. 26, 2016**

- (54) **BRUNNIAN LINK FORMING LOOM**
- (71) Applicant: **Cheong Choon Ng**, Novi, MI (US)
- (72) Inventor: **Cheong Choon Ng**, Novi, MI (US)
- (73) Assignee: **Choon's Design LLC**, Wixom, MI (US)
- (**) Term: **14 Years**

1,318,465 A	10/1919	Seifarth
1,318,604 A	10/1919	Schneider
1,366,212 A	1/1921	Pollard
1,375,119 A	4/1921	Stephen
1,405,744 A	2/1922	Sampliner
1,424,458 A	8/1922	Fleisher
1,500,383 A	7/1924	Gourie
1,599,040 A	9/1926	Clisby
1,647,060 A	10/1927	Speidel

(Continued)

(21) Appl. No.: **29/468,549**

FOREIGN PATENT DOCUMENTS

(22) Filed: **Oct. 1, 2013**

CH	201594	11/1937
DE	521894	3/1931

(51) **LOC (10) Cl.** **15-06**

(Continued)

(52) **U.S. Cl.**

USPC **D15/66**

OTHER PUBLICATIONS

(58) **Field of Classification Search**

USPC D15/66, 72, 78; D8/349, 14; 24/115 R,
24/131 R, 122.6, 128; 66/1 R, 3, 4; 28/216,
28/299, 151, 152; 139/11, 29, 30, 223,
139/458; 289/2, 17, 18.1

How to Make Rubber Band Bracelets Using Twistz Bandz—Instruc-
tion #1; <http://www.youtube.com/watch?v=6nInnVEjrLU>; Mar. 28,
2011.

(Continued)

See application file for complete search history.

Primary Examiner — Prabhakar Deshmukh

(56) **References Cited**

(74) *Attorney, Agent, or Firm* — Carlson, Gaskey & Olds,
P.C.

U.S. PATENT DOCUMENTS

38,192 A	4/1863	Wilcox
86,119 A	1/1869	Allport
222,937 A	12/1879	Newcomb
246,648 A	9/1881	Wilcox
254,258 A	2/1882	Barbour
254,288 A	2/1882	Dimmick
289,578 A	12/1883	Stewart
426,087 A	4/1890	Wolkow
763,303 A	6/1904	Mayers
782,657 A	2/1905	Hubert
843,495 A	2/1907	Sander
904,747 A	11/1908	Anderson
968,199 A	8/1910	Schwartz
1,020,963 A	3/1912	Cake
1,073,226 A	9/1913	Freeman
1,176,482 A	3/1916	Orme
D51,186 S	8/1917	Pearson
1,279,411 A	9/1918	Neuman

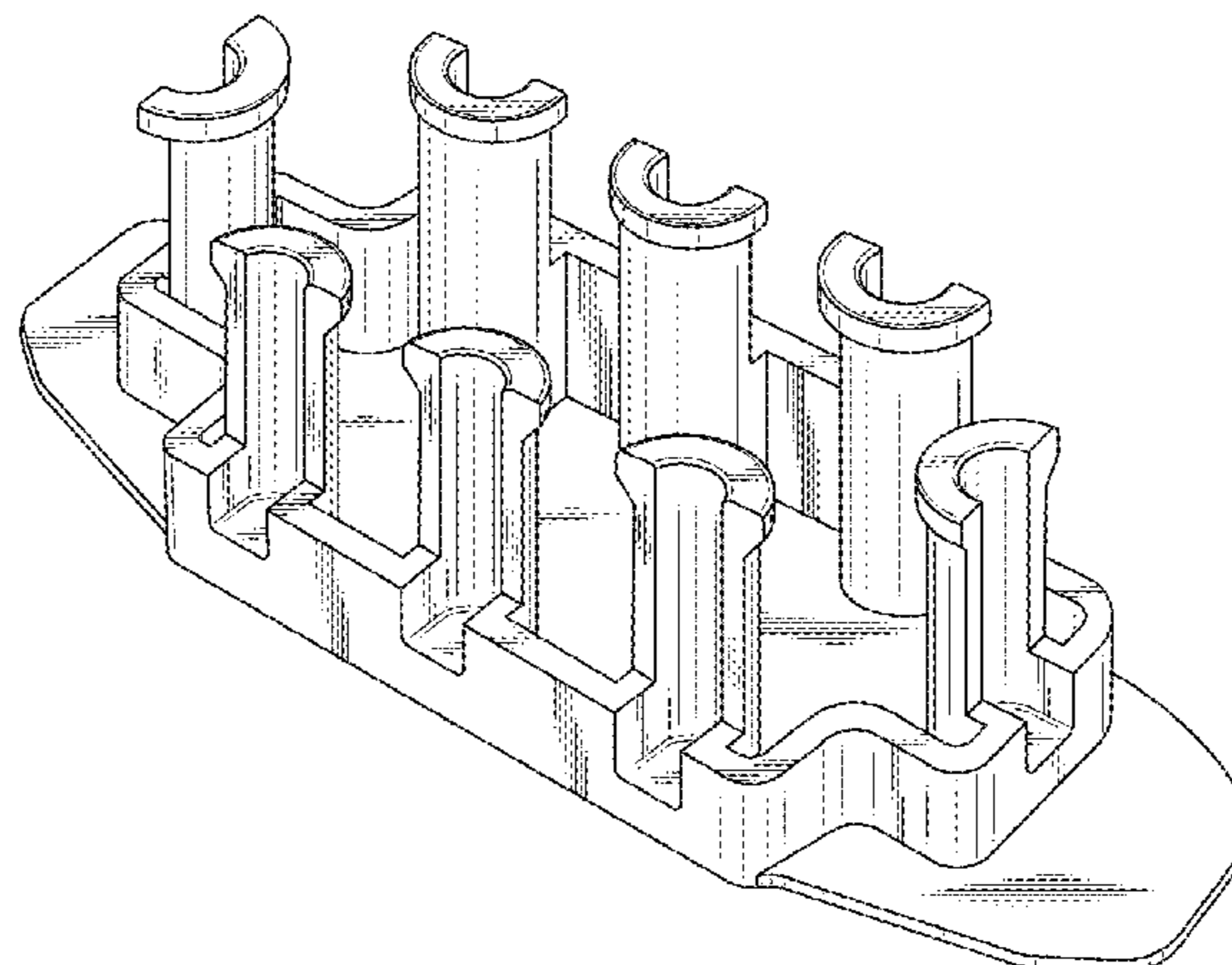
(57) **CLAIM**

I claim the ornamental design for a Brunnian link forming
loom, as shown and described.

DESCRIPTION

FIG. 1 is a perspective view of a Brunnian link forming loom
showing my new design;
FIG. 2 is a front elevational view thereof;
FIG. 3 is a top plan view thereof;
FIG. 4 is a side elevational view thereof; and,
FIG. 5 is a bottom plan view thereof.
The broken lines indicate unclaimed portions and form no
part of the claimed design.

1 Claim, 1 Drawing Sheet



(56)

References Cited

U.S. PATENT DOCUMENTS

1,694,849 A	12/1928	Fujii	4,680,021 A	7/1987	Maxim
1,705,860 A	3/1929	Hagihara	4,729,229 A	3/1988	Whicker
1,718,140 A	6/1929	Hagihara	4,844,473 A *	7/1989	Landsberg 273/264
1,776,561 A	9/1930	La Croix	D310,672 S *	9/1990	Harvey et al. D15/66
1,878,861 A	9/1932	Krasnow	D330,668 S	11/1992	Nagamatsu
1,994,659 A	3/1935	De A Mascarenhas	5,163,946 A	11/1992	Li
2,072,668 A	3/1937	Eltgroth	5,231,742 A *	8/1993	Macbain 28/151
2,072,868 A *	3/1937	Chandler 137/382	5,295,280 A	3/1994	Hudson et al.
2,108,424 A	2/1938	Bakely	5,328,374 A	7/1994	Stevens
2,134,066 A	10/1938	Van Ness	5,331,725 A	7/1994	Chou
2,186,692 A	1/1940	Boyer et al.	5,377,595 A	1/1995	Liu
2,237,733 A	4/1941	Grimm et al.	5,426,788 A	6/1995	Meltzer
2,270,619 A	1/1942	Bowyer	5,437,459 A	8/1995	Kirby
2,274,572 A	2/1942	Yates	5,459,905 A	10/1995	Voyre
2,318,018 A	5/1943	Semonsen	5,577,299 A	11/1996	Thompson et al.
2,360,416 A *	10/1944	Gray 28/150	5,639,090 A *	6/1997	Stevens 273/287
D144,079 S	3/1946	Smith	5,687,775 A	11/1997	Thompson et al.
D146,830 S	5/1947	Kimmelstiel	D389,050 S	1/1998	Li
2,433,307 A	12/1947	Thomas	5,713,094 A	2/1998	Markey et al.
2,450,067 A	9/1948	Wolff	D406,749 S	3/1999	Selk
2,457,064 A	12/1948	Parisi	5,888,392 A	3/1999	Frizell
2,540,383 A *	2/1951	Tillert et al. 28/149	5,927,764 A	7/1999	Harriman
2,545,409 A	3/1951	McCall	D425,784 S	5/2000	Beugelsdyk et al.
2,600,091 A	6/1952	Becker	6,065,968 A	5/2000	Corliss
D167,727 S	9/1952	Teare	D426,425 S	6/2000	Hermanski
2,658,364 A	11/1953	Carlson	6,122,859 A	9/2000	Lazar
2,666,249 A	1/1954	Ruiz et al.	6,129,551 A	10/2000	Martin
2,687,630 A	8/1954	Carlson	6,131,778 A	10/2000	Etzion
2,703,482 A	3/1955	Auran	6,146,144 A	11/2000	Fowler et al.
2,707,052 A	4/1955	Brown	6,149,436 A	11/2000	Dunn
2,726,434 A	12/1955	Knoblock et al.	6,171,317 B1	1/2001	Jackson et al.
2,984,488 A	5/1961	Kirchner	6,213,918 B1 *	4/2001	Rogers, Jr. 482/44
3,054,214 A	9/1962	Smith et al.	6,389,652 B1	5/2002	Williams
3,069,739 A	12/1962	Jorgenson et al.	6,550,177 B1	4/2003	Epple, Jr.
3,112,491 A	12/1963	Cleveland	D478,738 S	8/2003	Workman
D204,442 S *	4/1966	Browley D15/66	6,880,364 B1	4/2005	Vidolin et al.
3,276,181 A	10/1966	Gilbert	6,923,026 B1	8/2005	Clarke
3,377,674 A	4/1968	Brassaw et al.	7,040,120 B2	5/2006	Hunter
3,438,098 A	4/1969	Grabner	D522,352 S	6/2006	Van Straaten
3,438,223 A	4/1969	Linstead	D552,463 S	10/2007	French et al.
3,476,423 A	11/1969	Kentfield	D562,358 S	2/2008	Landmesser
3,476,426 A	11/1969	Lewin	D563,997 S	3/2008	Gustin
3,572,679 A *	3/1971	Strauff 267/64.16	D570,923 S	6/2008	Vazquez Gastellu
3,636,987 A	1/1972	Forby	D578,383 S	10/2008	Adams
3,648,484 A	3/1972	Gordon	7,506,524 B2	3/2009	Gustin
3,665,971 A	5/1972	Ileks	D592,537 S	5/2009	Darnell
3,672,679 A	6/1972	Burns	7,578,146 B2	8/2009	Gustin
3,678,709 A	7/1972	Nowicki et al.	7,617,947 B2	11/2009	Schafer
3,688,357 A *	9/1972	Nielsen et al. 289/17	D608,189 S	1/2010	Jackson et al.
3,693,976 A *	9/1972	Flack 273/258	7,677,677 B1	3/2010	Roberts
3,728,762 A	4/1973	Hogg	7,909,609 B2	3/2011	Molin
3,748,706 A	7/1973	Doyel	D635,594 S	4/2011	Novak
3,758,923 A	9/1973	Maude	D639,683 S	6/2011	Essel
3,800,372 A	4/1974	Daoust	8,316,894 B2	11/2012	Schaub
3,805,345 A	4/1974	Antos	8,402,794 B2	3/2013	Sasur
3,853,021 A	12/1974	Hayes	8,418,434 B1	4/2013	Carruth et al.
3,905,133 A	9/1975	Charman	8,485,565 B2	7/2013	Ng
D238,812 S *	2/1976	Fioretti D15/78	8,510,916 B2	8/2013	Kinvi
4,018,543 A	4/1977	Carson et al.	D690,191 S	9/2013	Takakuwa et al.
4,023,245 A	5/1977	Zaltzman	D696,576 S	12/2013	Ng
4,032,179 A	6/1977	Goss	8,622,441 B1	1/2014	Ng
4,037,513 A	7/1977	Hobson	8,684,420 B2	4/2014	Ng
D245,748 S	9/1977	Ostroll	D711,931 S *	8/2014	Daftari D15/66
4,066,271 A	1/1978	Lohr	2007/0114340 A1	5/2007	Adams
D248,347 S	7/1978	McCollum	2007/0199965 A1	8/2007	Gouldson
4,114,892 A	9/1978	Csoka	2008/0156043 A1	7/2008	Gustin
4,131,138 A	12/1978	Boisvert	2008/0223083 A1	9/2008	Gustin
4,179,129 A	12/1979	Loomis	2009/0215013 A1	8/2009	Molin
D257,257 S *	10/1980	McArthur D15/66	2010/0019495 A1	1/2010	Oliveto
4,248,063 A	2/1981	Wang	2011/0152946 A1	6/2011	Frigg et al.
4,416,040 A	11/1983	Towsley	2011/0259465 A1	10/2011	Schaub
D279,938 S *	8/1985	Okada D3/18	2012/0047960 A1	3/2012	Sasur
4,569,108 A	2/1986	Schwab	2012/0112457 A1	5/2012	Ng
4,629,100 A	12/1986	Owens	2012/0150203 A1	6/2012	Brady et al.
4,667,965 A	5/1987	Helms, Jr.	2013/0020802 A1	1/2013	Ng
			2013/0300114 A1	11/2013	Ng
			2013/0307267 A1	11/2013	Ng
			2014/0373966 A1	12/2014	Nedry et al.

(56)

References Cited

U.S. PATENT DOCUMENTS

FOREIGN PATENT DOCUMENTS

GB	2147918	5/1985
JP	H09291447	11/1997
JP	2003-171854 A	6/2003
JP	2003-520083	7/2003
JP	2004-520910	7/2004
JP	D1393632	8/2010
JP	D1501836	7/2014
JP	D1501837	7/2014
KR	10-2001-0012609	2/2001
KR	10-2006-0042108	5/2006
KR	300503642	5/2008
WO	2012/060906 A1	5/2012
WO	2014/190255 A1	11/2014

OTHER PUBLICATIONS

Various rubber band crafts and bracelets using Rainbow Loom®; <http://www.youtube.com/watch?v=oM6sOkZFz5o>; Mar. 30, 2011.

How to make “Diamond” pattern rubber band bracelet using the Rainbow Loom® Kit; <http://www.youtube.com/watch?v=dZa8dpZasKA>; Jun. 8, 2011.

(Rainbow Loom®) Twistz Bandz product—with bloopers; http://www.youtube.com/watch?v=DbzS5u8ib_0; Jul. 6, 2011.

Defendants’ Preliminary Non-Binding Invalidity Contentions, *Choon’s Design LLC v. Zenacon, LLC et al.*, United States District Court for the Eastern District of Michigan, Case No. 2:13-cv-13568-PJD-RSW, Mar. 7, 2014.

Decision to Institute of Inter Partes Review of U.S. Pat. No. 8,485,565 dated May 20, 2014, Case IPR2014-00218, from the United States Patent and Trademark Office.

Petitioner’s Request for Rehearing Under 37 CFR §42.71(d) filed on Jun. 3, 2014, Case IPR2014-00218, from the United States Patent and Trademark Office.

Continuation U.S. Appl. No. 13/938,717, filed Jul. 10, 2013, entitled “Brunnian Link Making Device and Kit”.

Continuation U.S. Appl. No. 14/329,099, filed Jul. 11, 2014, entitled “Brunnian Link Making Device and Kit”.

Continuation in Part U.S. Appl. No. 13/626,057, filed Sep. 25, 2012, entitled “Brunnian Link Making Device and Kit”.

U.S. Appl. No. 14/331,456, filed Jul. 15, 2014, entitled “Hand Held Link Making Device and Kit”.

U.S. Appl. No. 14/270,635, filed May 6, 2014, entitled “Device for Forming Brunnian Links”.

Design U.S. Appl. No. 29/468,891, filed Oct. 24, 2013, entitled “Brunnian Link Forming Loom”.

Petition for Post-Grant Review of U.S. Pat. No. 8,684,420 and Exhibits, filed in the United States Patent and Trademark Office on Aug. 5, 2014, Case No. PGR2014-00008.

Petition for Inter Partes Review of U.S. Pat. No. 8,485,565 and Exhibits, filed in the United States Patent and Trademark Office on Aug. 20, 2014, Case No. IPR2014-01353.

How to make a fishtail rainbow loom bracelet; <http://www.youtube.com/watch?v=ukv83Cvg3jk>; Jul. 13, 2013.

European Search Report for EP Application No. 13840473.6 dated Jul. 3, 2014.

International Search Report & Written Opinion for International Application No. PCT/US2011/041553 mailed on Feb. 23, 2012.

International Preliminary Report on Patentability for International Application No. PCT/US2011/041553 mailed on May 16, 2013.

Petition for Inter Partes Review of U.S. Pat. No. 8,485,565 and Exhibits, filed in the United States Patent and Trademark Office.

U.S. Appl. No. 14/226,096, filed Mar. 26, 2014, entitled “Monster Tail Loom for Forming Brunnian Links”.

European Search Report for EP Application No. 14177709.4 dated Nov. 18, 2014.

European Search Report for EP Application No. 14184490.2 dated Dec. 23, 2014.

International Search Report and Written Opinion for International Application No. PCT/US14/54492 mailed Jan. 5, 2015.

Finger Weave Jump Rope, http://www.makingfriends.com/jump_rope.htm.

Petition for Inter Partes Review of U.S. Pat. No. 8,622,441 and Exhibits, filed in the United States Patent and Trademark Office on Mar. 3, 2015, Case No. IPR2015-00840.

Norris, Kathy, I Can’t Believe I’m Loom Knitting!, www.leisurearts.com, 2010.

Phelps, Isela, Loom Knitting Primer: A Beginner’s Guide to Knitting on a Loom with Over 30 Fun Projects, 2007.

Lijovich, Basic Instructions for Using a Double Lucet, Jan. 2002, revised Jun. 2002.

The Horde of Vigdis, Aug. 5, 2011.

Takacas, Sarah (SarahLynnTea), “How to Make Rubber Band Bracelets”; Published Apr. 15, 2009 <http://www.youtube.com/watch?v=e0k762PJ-D8>.

Introduction video—Rainbow Loom (the next generation Twistz Bandz kit). Published Sep. 24, 2012. <http://www.youtube.com/watch?v=FUwf3CheGuw>.

Lesson 21: “Sweet Heart” Rainbow Loom Bracelet by Choon; Published Jan. 21, 2013 <http://www.youtube.com/watch?v=718MbYceEC0>.

Rainbow Loom from Choon’s Design, LLC; Published Jul. 24, 2013 <http://www.youtube.com/watch?v=vhiVxnbE0CE>.

How to make a rainbow loom starburst bracelet; Published Aug. 1, 2013 <http://www.youtube.com/watch?v=RI7Akl5dJzo>.

How To: Make the Rainbow Loom Single Band Bracelet; Published Aug. 12, 2013 <http://www.youtube.com/watch?v=Wd3UDqPmKbA>.

United Kingdom Combined Search and Examination Report for Application No. GB1416090.1 dated Oct. 16, 2014.

United Kingdom Combined Search and Examination Report for Application No. GB1416091.5 dated Oct. 16, 2014.

International Search Report and Written Opinion for International Application No. PCT/US14/46106 mailed Oct. 18, 2014.

International Search Report and Written Opinion for International Application No. PCT/US14/54475 mailed Oct. 27, 2014.

European Search Report for EP Application No. 14184498.5 dated Jan. 26, 2015.

International Preliminary Report on Patentability for International Application No. PCT/US2013/060890 mailed Apr. 9, 2015.

International Search Report and Written Opinion for International Application No. PCT/US2015/026280 mailed Jul. 14, 2015.

Amazon.com—Plastic Trash Can Bag Clip Clamp, review date Feb. 19, 2014, online, <http://www.amazon.com/Plastic-Garbage-Rubbish-Trash-Holder/dp/B00E6Q0DQ0/ref=sr>.

Helmet Strap Quick Release Clip, catalog added date Nov. 10, 2011, online, http://allbrandsoffhings.com/index.php?main_page=product_info&cPath=33&products_id=457&zenid=adrmed661oj5gqu9dlhqpqgmm7.

Petition for Inter Partes Review of U.S. Pat. No. 8,485,565 and Exhibits, filed in the United States Patent and Trademark Office on Mar. 3, 2015, Case No. IPR2015-00838.

Petition for Inter Partes Review of U.S. Pat. No. 8,485,565 and Exhibits, filed in the United States Patent and Trademark Office on May 1, 2015, Case No. IPR2015-01139.

Petition for Inter Partes Review of U.S. Pat. No. 8,684,420 and Exhibits, filed in the United States Patent and Trademark Office on May 4, 2015, Case No. IPR2015-01143.

Phelps, Isela, Loom Knitting Primer: A Beginner’s Guide to Knitting on a Loom with Over 30 Fun Projects, 2007, pp. 12-20, 99, and 118.

Renz, Katie, Provo Craft—Knifty Knitter, <http://www.craftcritique.com/2008/09/19/provo-craft-knifty-knitter/>.

Phelps, Isela G., Loom Knitting Basics: Knitting in the Round, www.dalooms.com, 2001.

How to Make a Homemade Geoboard, <http://www.feelslikehomeblog.com/2010/02/how-to-make-a-geoboard/>, Feb. 21, 2010.

Bipes, Anne, Loom Knitting Getting Started on the Round Loom, www.loomknitting.com, 2005.

* cited by examiner

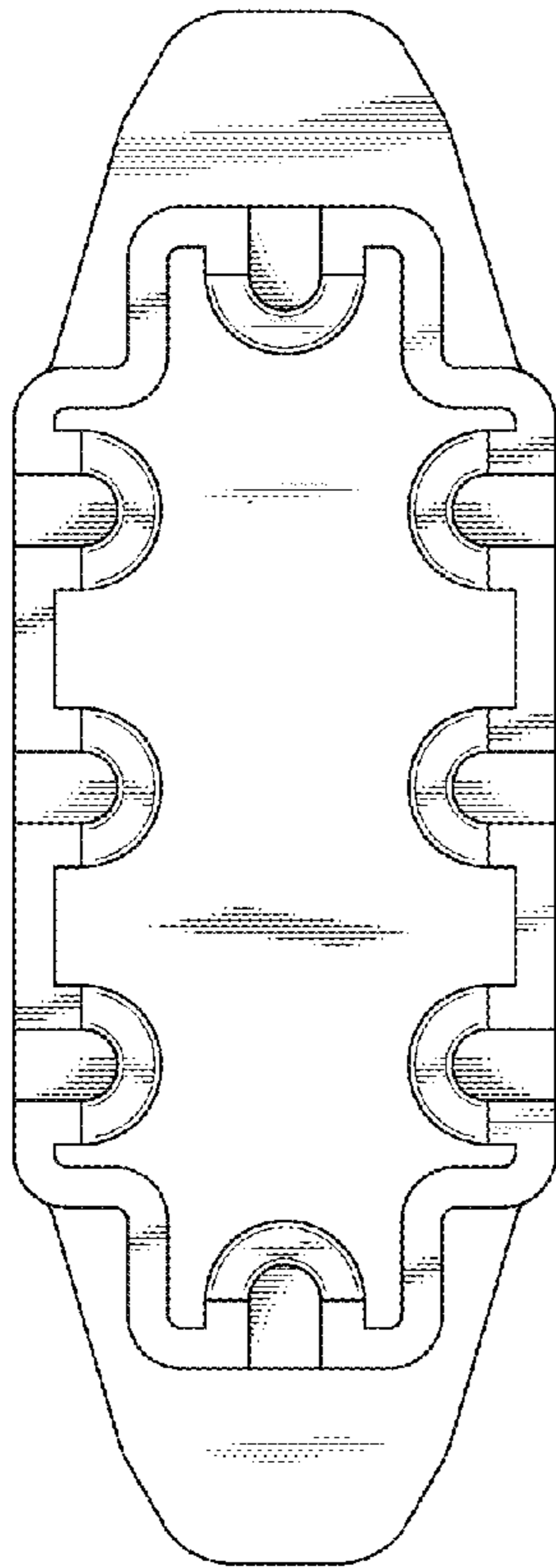


FIG. 3

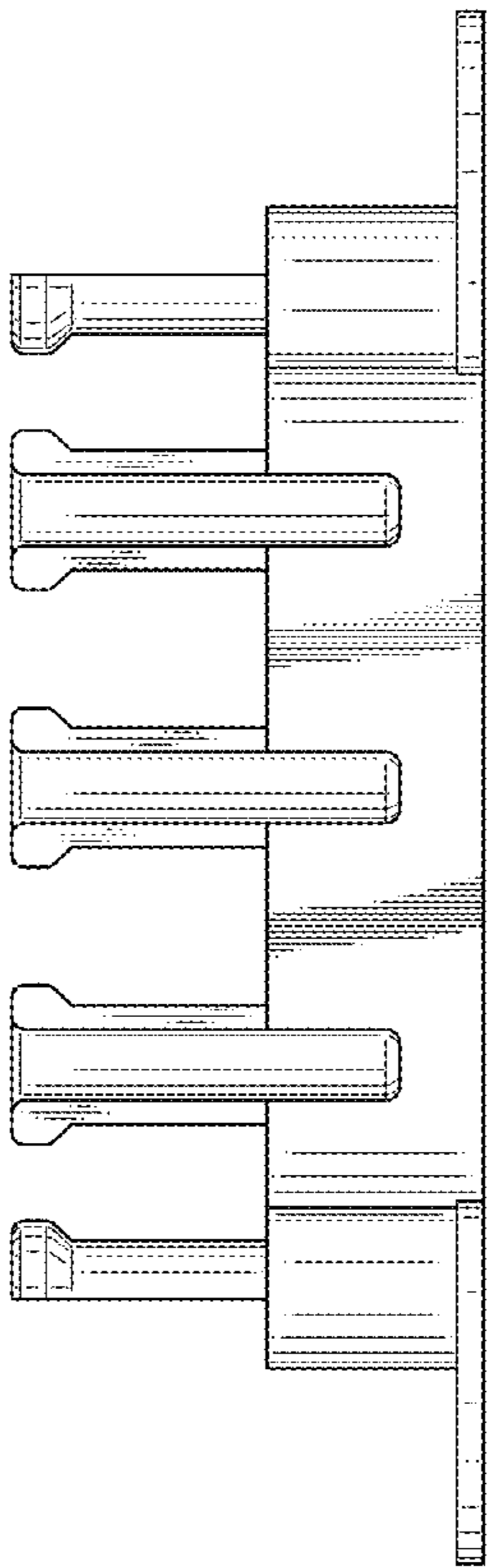


FIG. 4

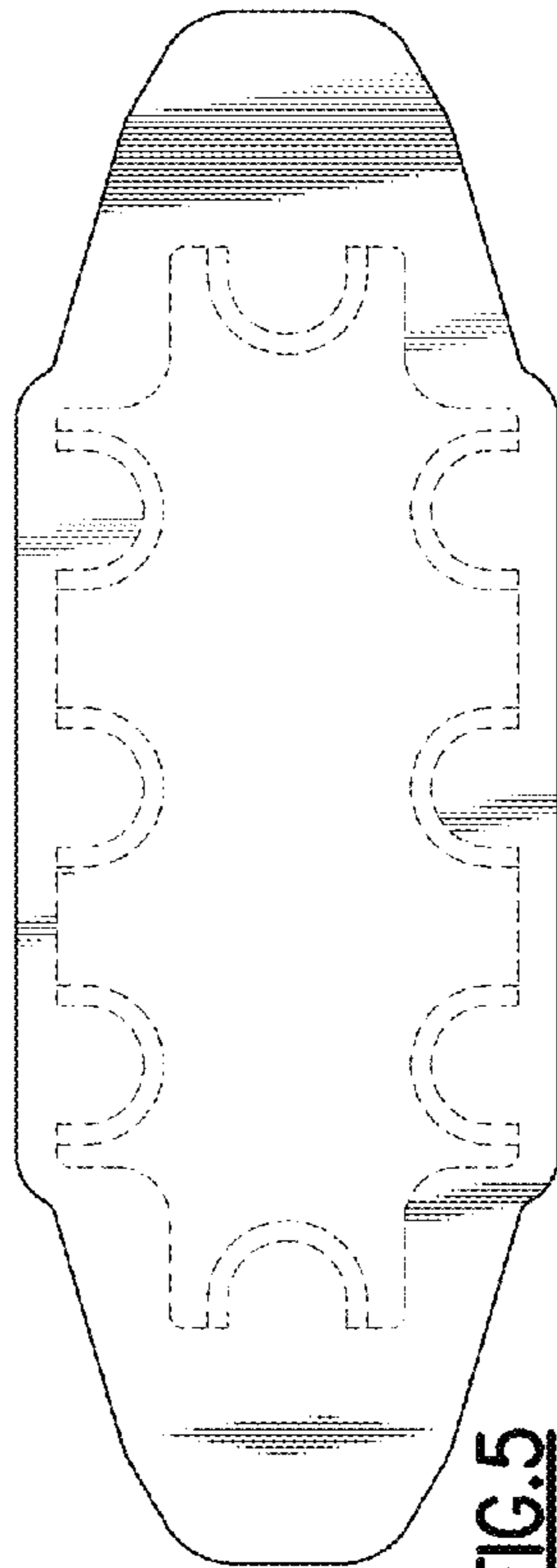


FIG. 5

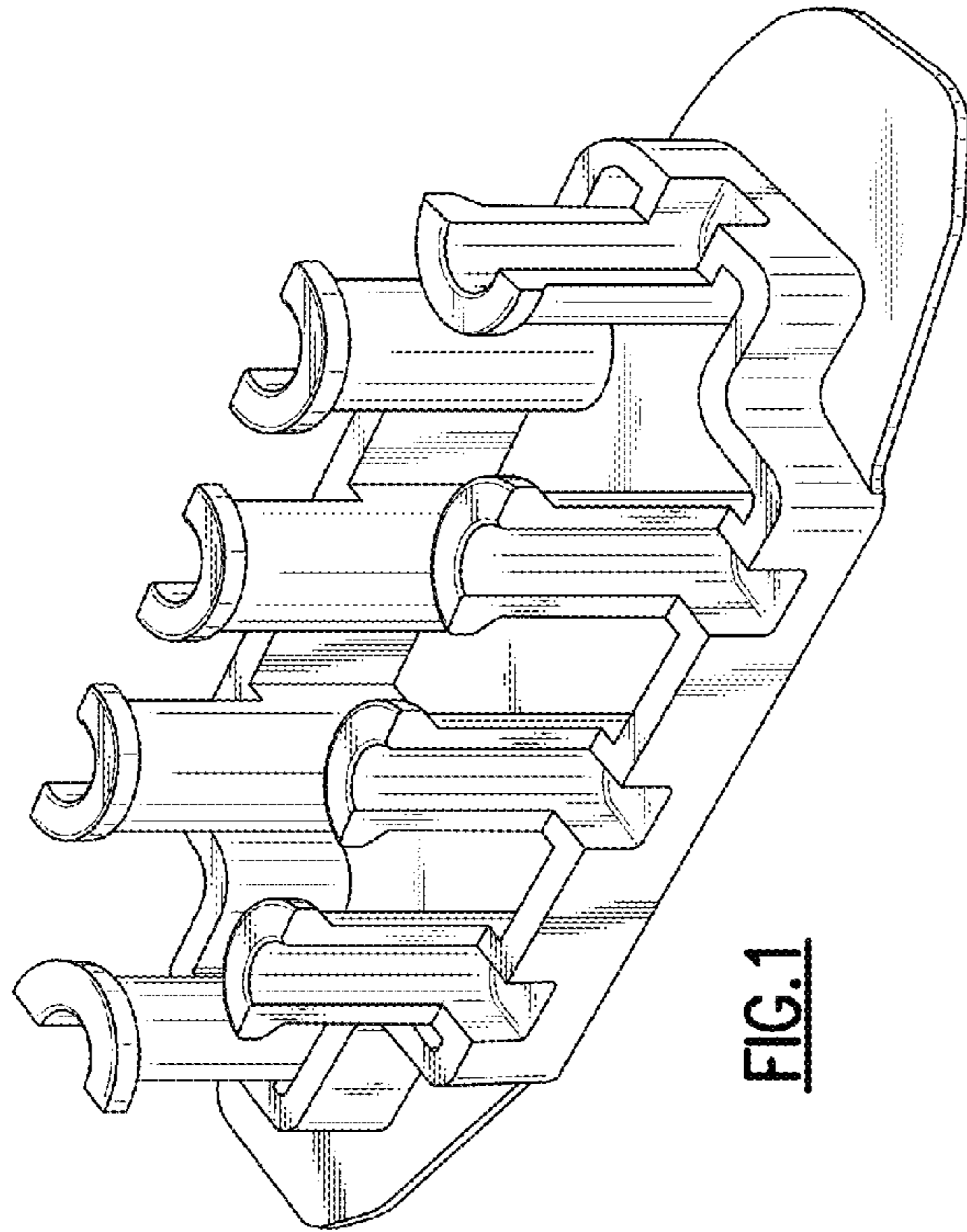


FIG. 1

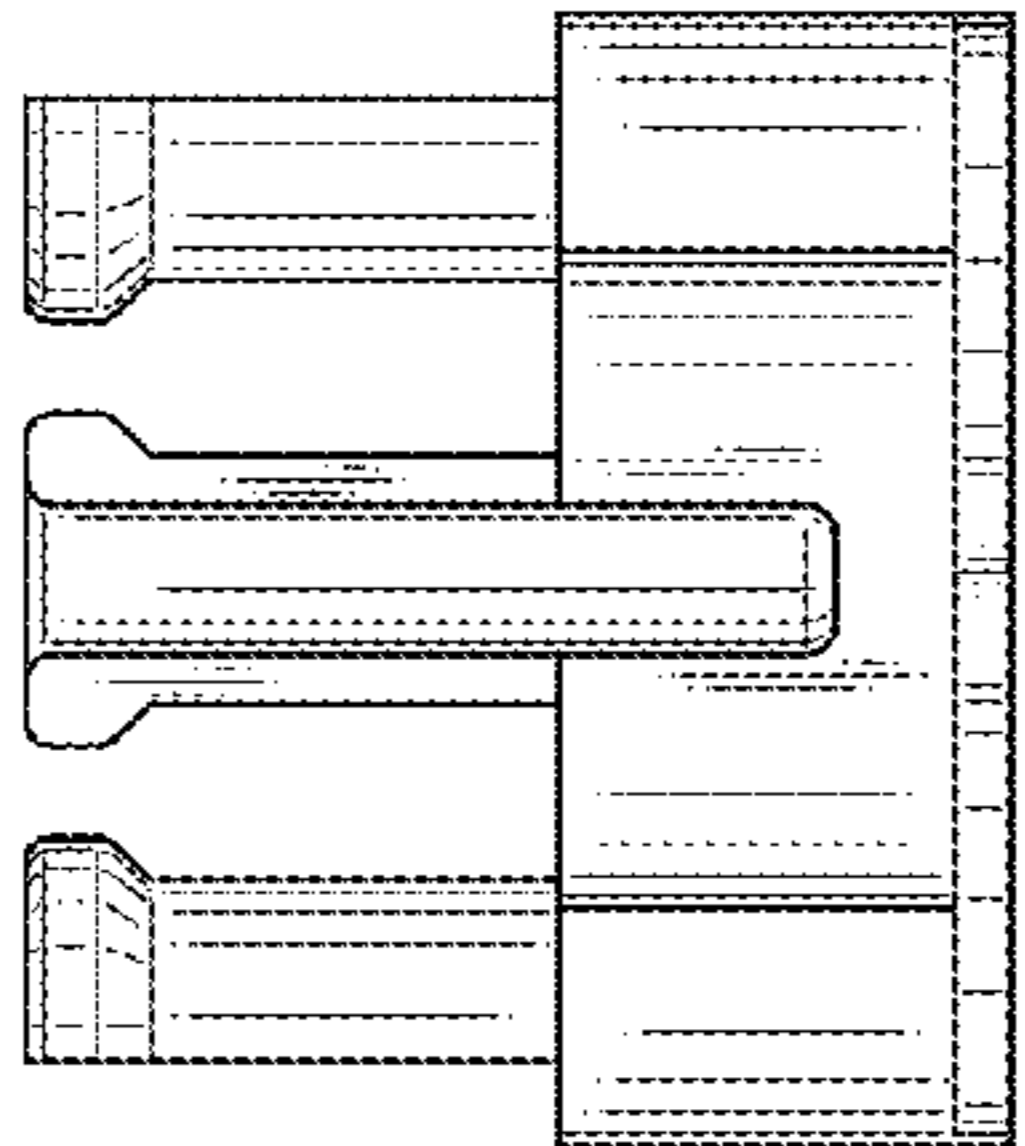


FIG. 2

UNITED STATES PATENT AND TRADEMARK OFFICE
CERTIFICATE OF CORRECTION

PATENT NO. : D748,158 S
APPLICATION NO. : 29/468549
DATED : January 26, 2016
INVENTOR(S) : Cheong Choon Ng

Page 1 of 1

It is certified that error appears in the above-identified patent and that said Letters Patent is hereby corrected as shown below:

ON THE TITLE PAGE;

In Description;

Figure 4 should read; --is a side elevational view thereof; and,--

Signed and Sealed this
Third Day of May, 2016



Michelle K. Lee
Director of the United States Patent and Trademark Office