



US00D748157S

(12) **United States Design Patent**
Phillips et al.

(10) **Patent No.:** **US D748,157 S**
(45) **Date of Patent:** **** Jan. 26, 2016**

- (54) **ELEVATOR BUCKET**
- (71) Applicant: **Maxi-Lift, Inc.**, Addison, TX (US)
- (72) Inventors: **Paul D. Phillips**, Frisco, TX (US); **Jon D. Fisher**, Prosper, TX (US); **Byron Randals Smith**, McKinney, TX (US)
- (73) Assignee: **Maxi-Lift, Inc.**, Addison, TX (US)
- (**) Term: **14 Years**
- (21) Appl. No.: **29/506,781**
- (22) Filed: **Oct. 20, 2014**
- (51) **LOC (10) Cl.** **15-04**
- (52) **U.S. Cl.**
USPC **D15/32**
- (58) **Field of Classification Search**
USPC D15/10, 22-26, 28, 32
CPC B65G 17/36; B65G 2812/02742
See application file for complete search history.

| | | | | | |
|-----------|------|---------|-----------------|-------|---------|
| 2,501,229 | A * | 3/1950 | Lindfors | | 198/713 |
| 2,584,025 | A * | 1/1952 | Kelsey | | 198/705 |
| D227,156 | S * | 6/1973 | Callies | | D34/29 |
| 4,246,999 | A * | 1/1981 | Bryant et al. | | 198/713 |
| 4,333,561 | A | 6/1982 | Schlegel | | |
| 4,770,288 | A * | 9/1988 | Kruger | | 198/711 |
| D312,261 | S * | 11/1990 | Burke | | D15/32 |
| D336,091 | S | 6/1993 | Kovalak et al. | | |
| D338,893 | S | 8/1993 | Simpson | | |
| 6,695,127 | B1 * | 2/2004 | Dobranski | | 198/711 |
| D496,052 | S * | 9/2004 | Braime et al. | | D15/32 |
| 7,097,027 | B1 | 8/2006 | Chen | | |
| D610,172 | S * | 2/2010 | Yukino et al. | | D15/32 |
| 7,698,839 | B1 | 4/2010 | Phillips et al. | | |
| 8,240,070 | B1 | 8/2012 | Phillips et al. | | |
| D721,743 | S * | 1/2015 | Taylor | | D15/32 |

* cited by examiner

Primary Examiner — Mitchell Siegel

(74) *Attorney, Agent, or Firm* — Gardere Wynne Sewell LLP

(57) **CLAIM**

The ornamental design for an elevator bucket, as shown and described.

(56) **References Cited**

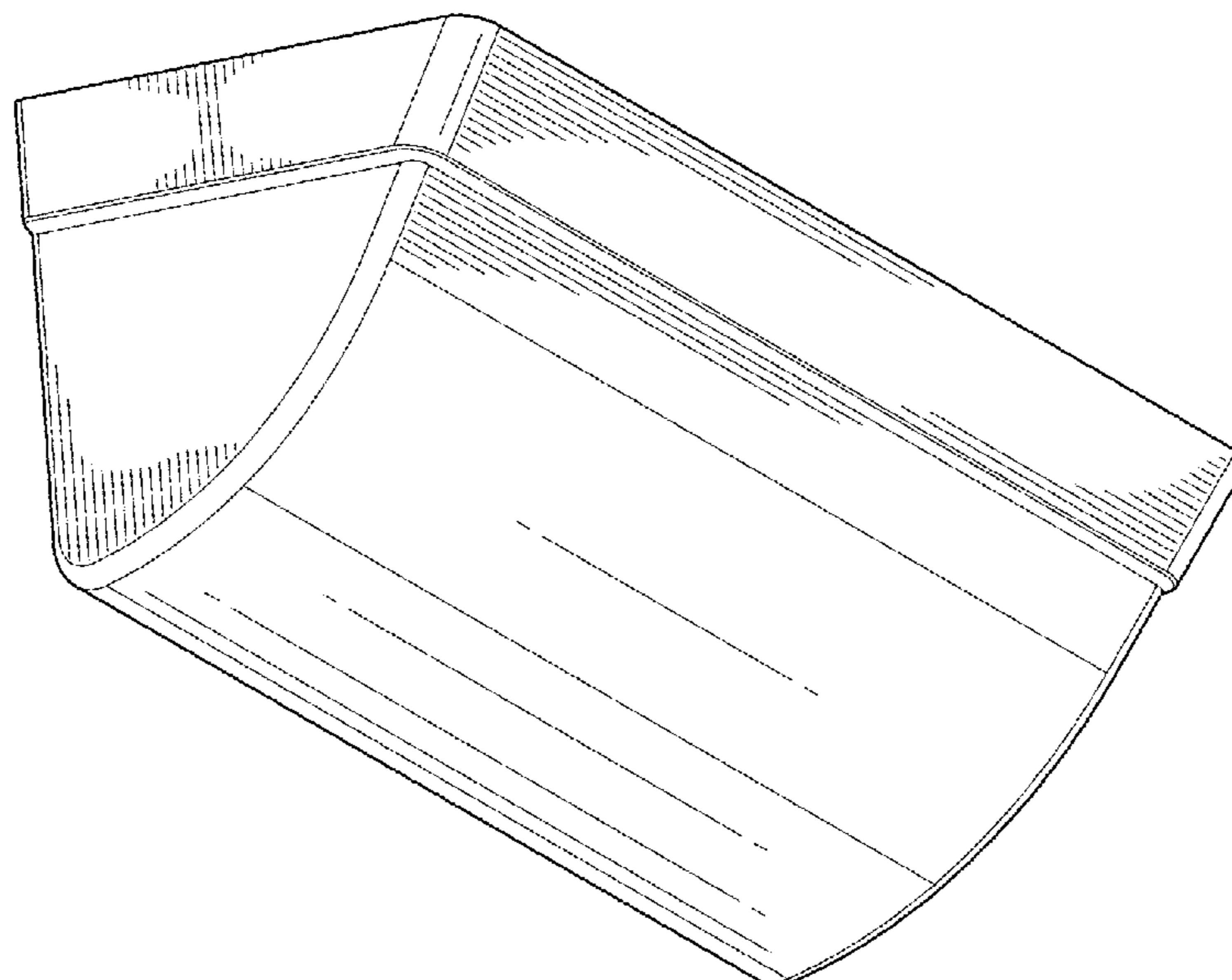
U.S. PATENT DOCUMENTS

| | | | | | |
|-----------|-----|---------|---------------|-------|---------|
| 221,207 | A * | 11/1879 | Avery | | 198/713 |
| 248,703 | A * | 10/1881 | Caldwell | | 411/402 |
| 290,053 | A * | 12/1883 | Holmes | | 198/711 |
| 320,760 | A * | 6/1885 | Clark | | 37/465 |
| 415,236 | A * | 11/1889 | Avery | | 198/714 |
| D20,906 | S * | 6/1891 | Stuebner | | D15/32 |
| 1,944,932 | A * | 1/1934 | Weller et al. | | 198/638 |
| 2,185,557 | A * | 1/1940 | Koser | | 198/713 |
| D141,132 | S * | 5/1945 | Williams | | D15/32 |

DESCRIPTION

FIG. 1 is a front perspective view of an elevator bucket;
FIG. 2 is a front elevation view of the elevator bucket;
FIG. 3 is a rear elevation view of the elevator bucket;
FIG. 4 is left side elevation view of the elevator bucket, the right side being a mirror image thereof;
FIG. 5 is a top view of the elevator bucket; and,
FIG. 6 is a bottom view of the elevator bucket.

1 Claim, 3 Drawing Sheets



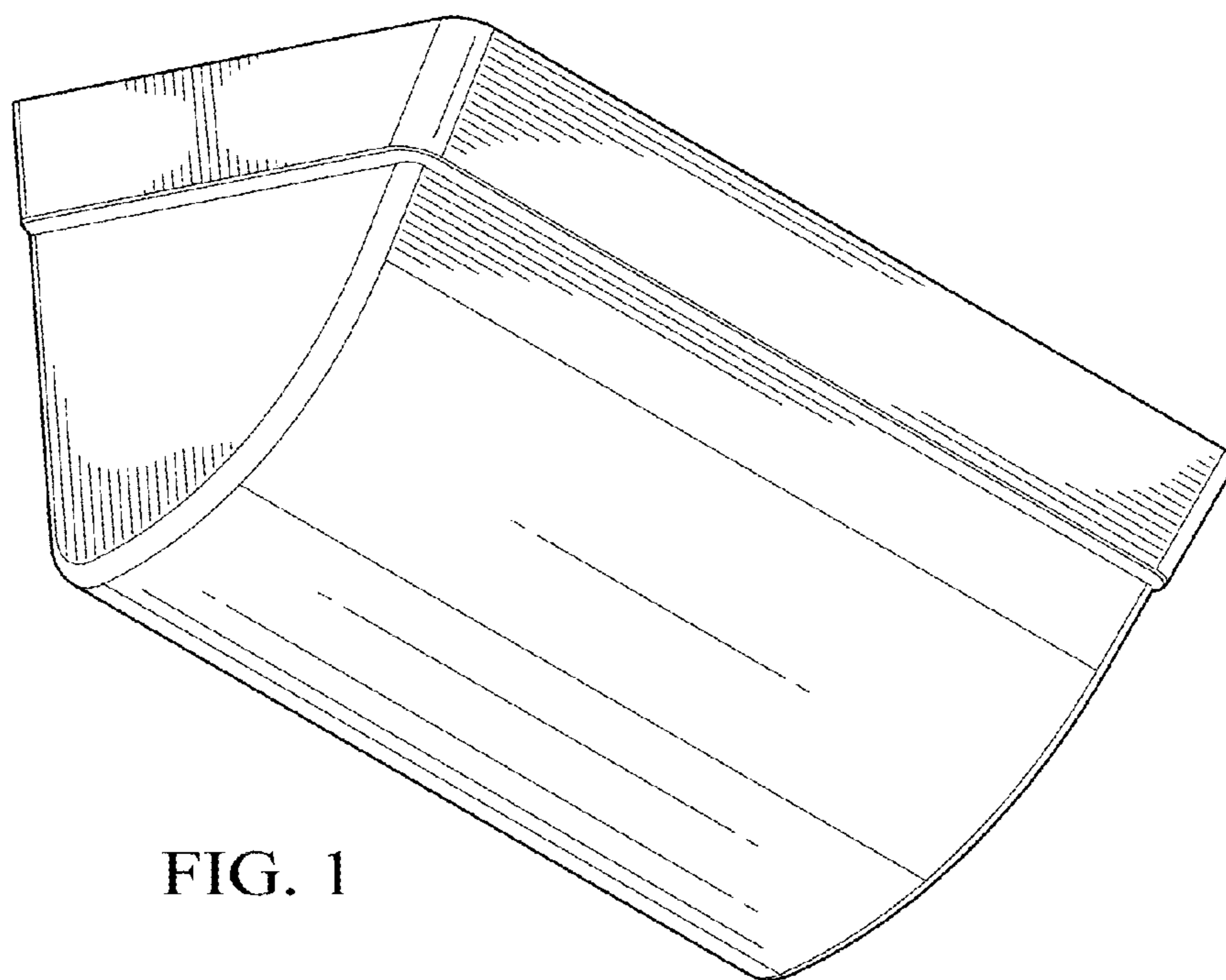


FIG. 1

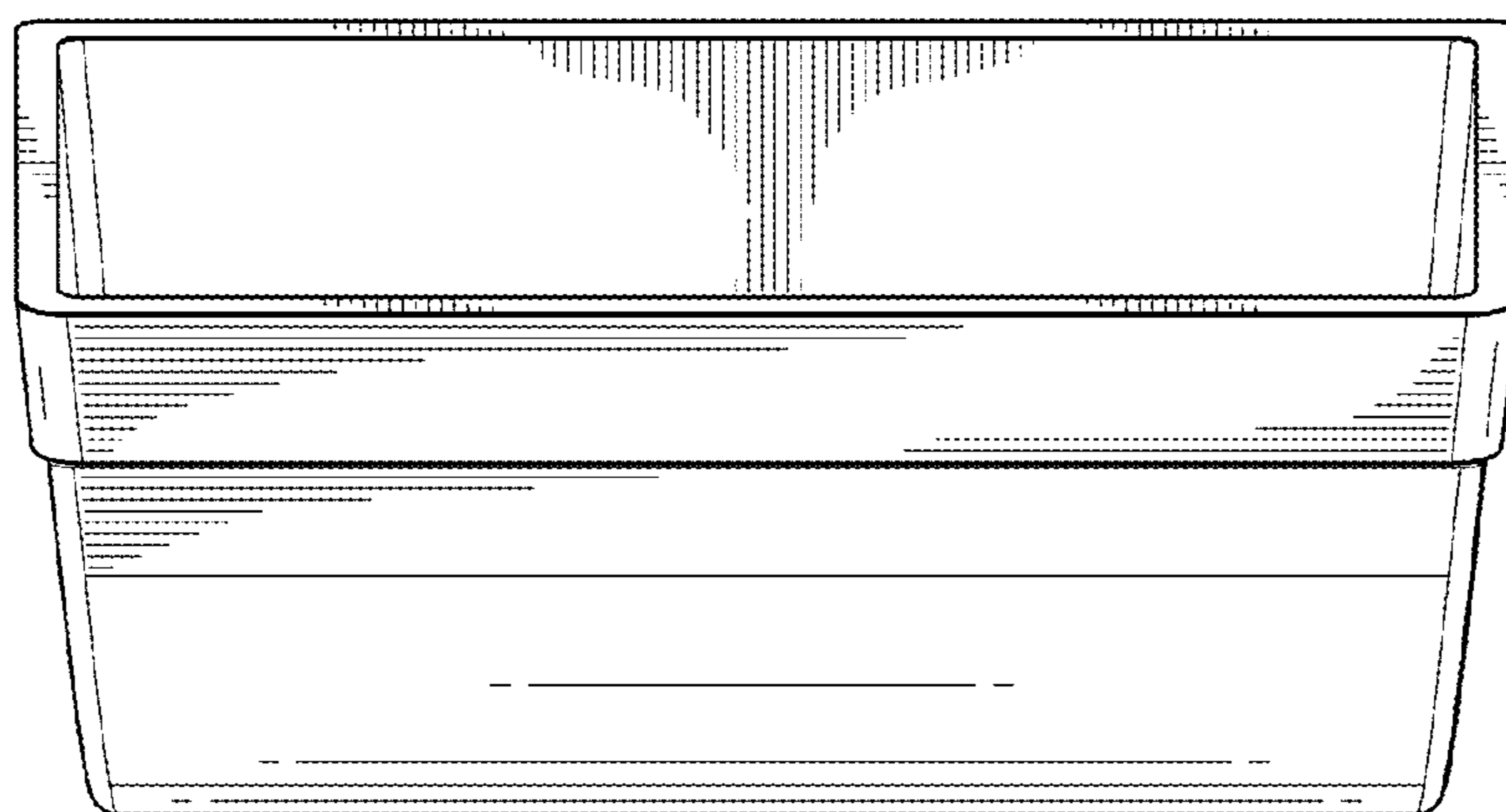


FIG. 2

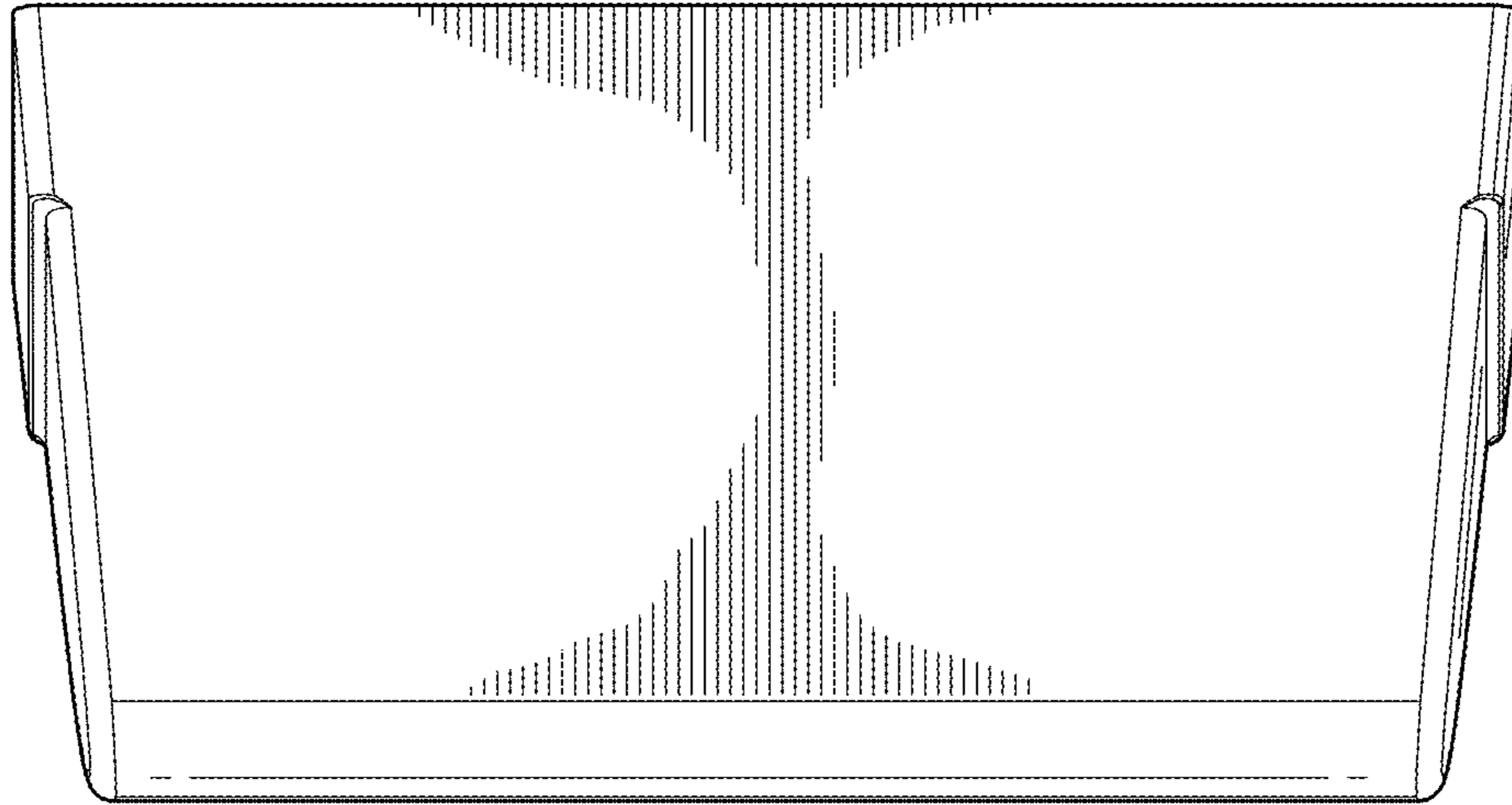


FIG. 3

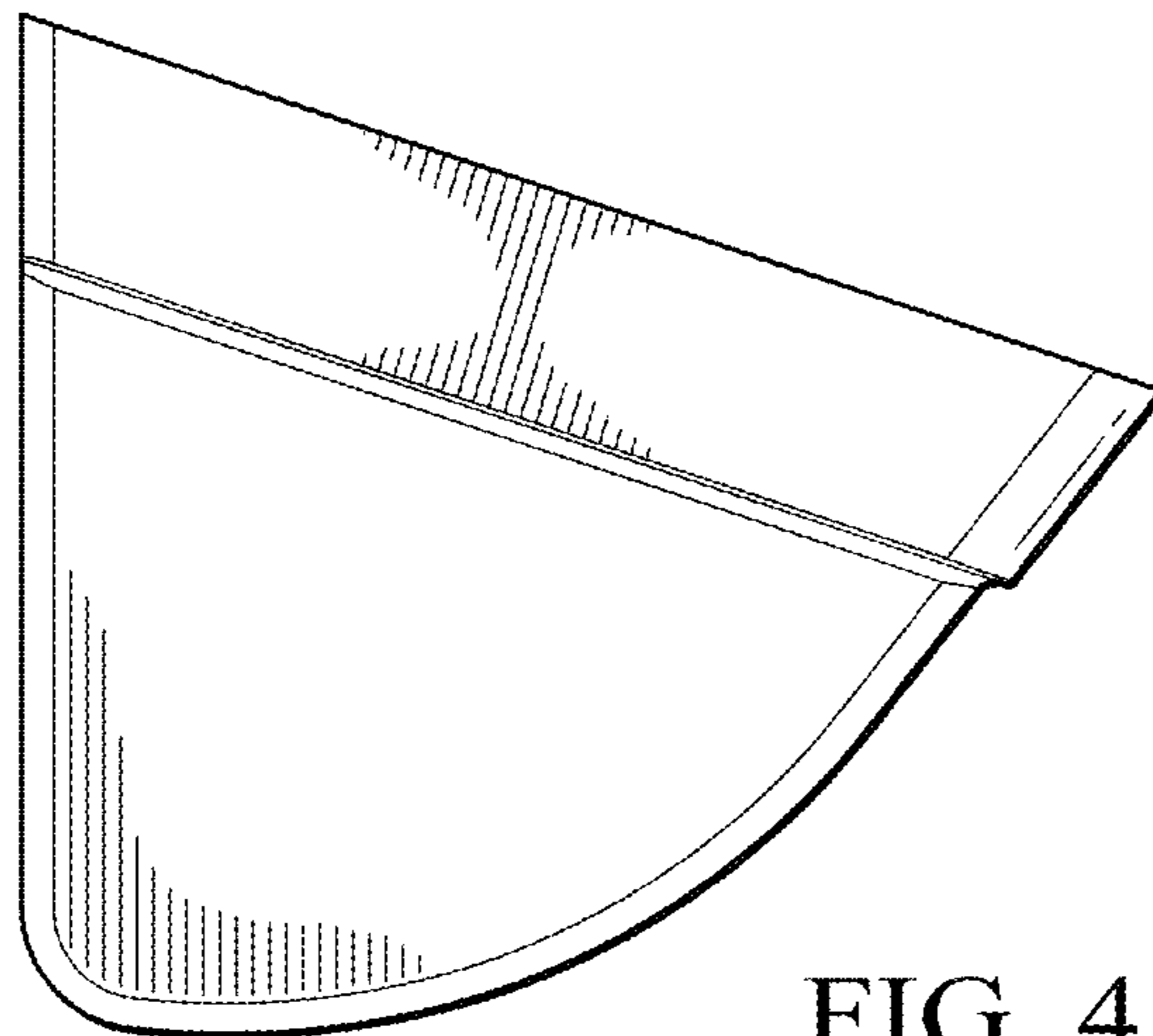


FIG. 4

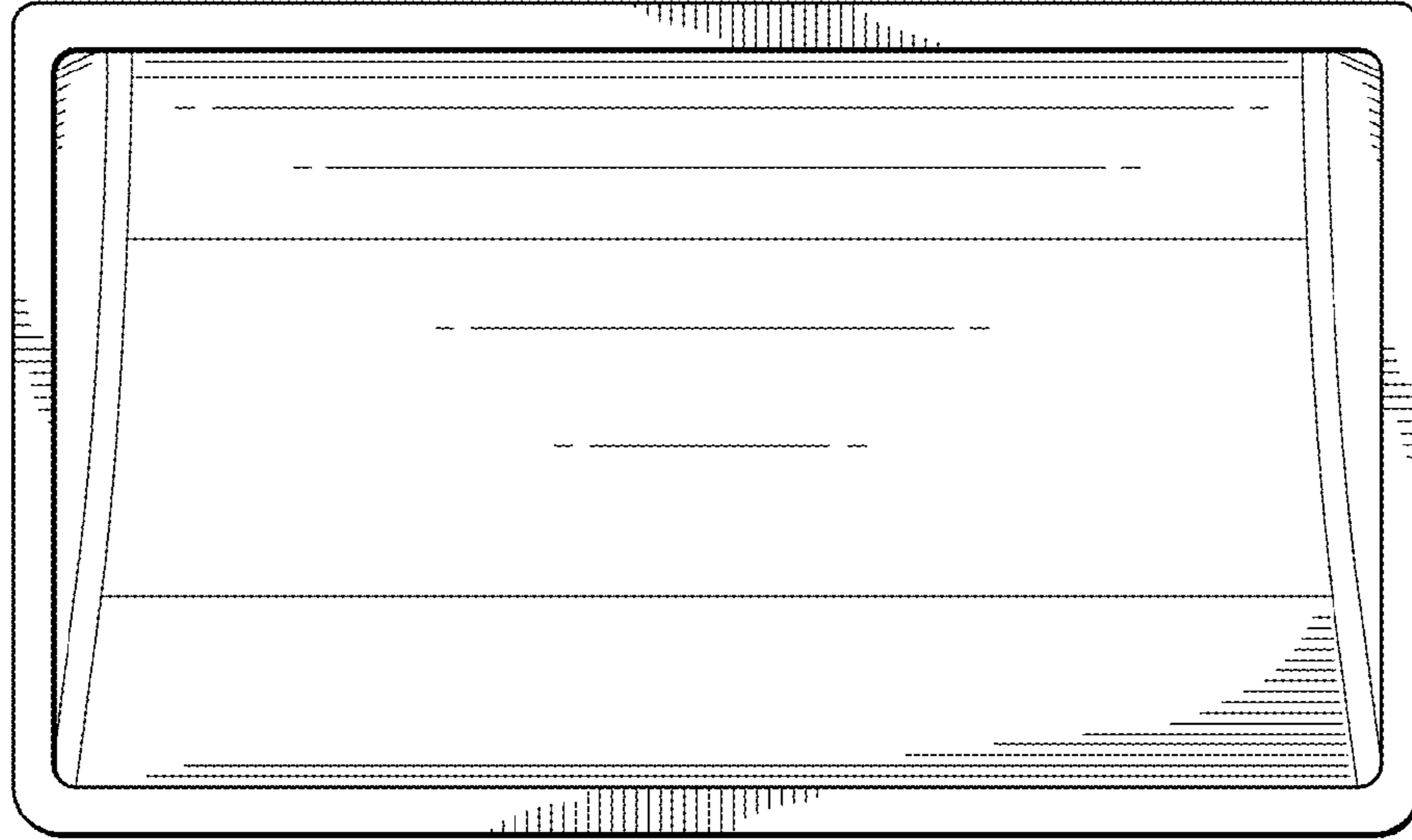


FIG. 5

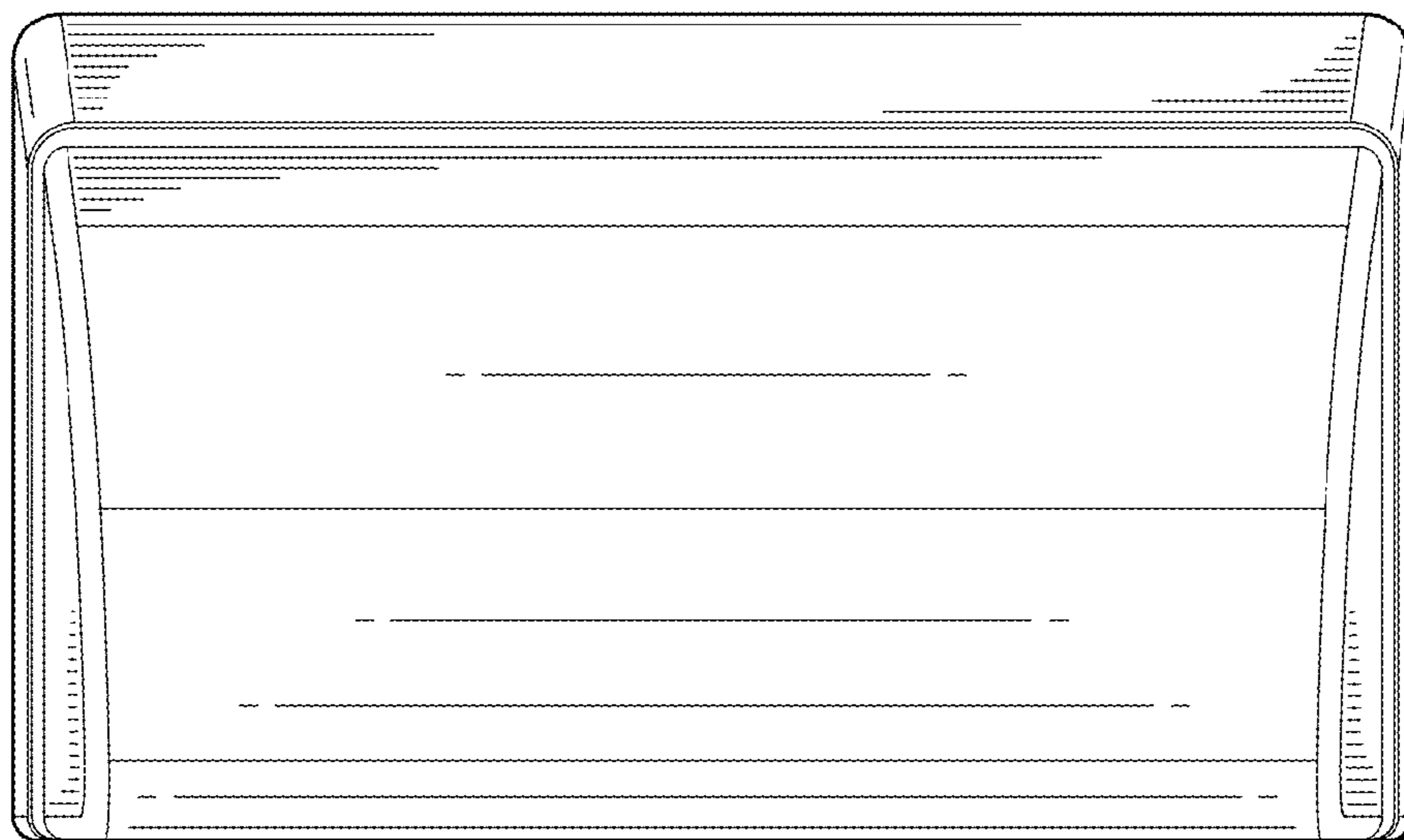


FIG. 6