



US00D748153S

(12) **United States Design Patent**
Colwell et al.

(10) **Patent No.:** **US D748,153 S**
(45) **Date of Patent:** **** Jan. 26, 2016**

- (54) **CRAWLER TRACK SHOE**
- (71) Applicant: **Harnischfeger Technologies, Inc.**,
Wilmington, DE (US)
- (72) Inventors: **Joseph J. Colwell**, Hubertus, WI (US);
Ken Wheeler, West Bend, WI (US)
- (73) Assignee: **Harnischfeger Technologies, Inc.**,
Wilmington, DE (US)

4,673,050 A 6/1987 Zschocke
 6,017,103 A 1/2000 Villard
 6,543,863 B1 * 4/2003 Hannan B62D 55/26
 305/111
 D484,149 S * 12/2003 Hannan D15/28
 6,659,573 B1 * 12/2003 Knecht B62D 55/12
 305/195
 D496,051 S * 9/2004 Yoshida D15/28
 6,820,948 B2 11/2004 Katoh
 6,929,335 B2 8/2005 Colwell et al.

(Continued)

(**) Term: **14 Years**

FOREIGN PATENT DOCUMENTS

(21) Appl. No.: **29/491,637**

AU 2003100265 A4 8/2003

(22) Filed: **May 22, 2014**

Primary Examiner — Mark Goodwin

(51) **LOC (10) Cl.** **15-03**

(74) *Attorney, Agent, or Firm* — Michael Best & Friedrich LLP

(52) **U.S. Cl.**

USPC **D15/28**

(58) **Field of Classification Search**

USPC D15/28, 22–26, 10; 305/46, 51, 111,
305/198, 553, 204, 193

CPC B62D 55/20; B62D 55/202; B62D 55/28;
B62D 55/205; B62D 55/26; B62D 55/12

See application file for complete search history.

(57) **CLAIM**

We claim the ornamental design for a crawler track shoe, as shown and described.

DESCRIPTION

FIG. 1 is a perspective view of a mining machine that includes a crawler track shoe according to one construction.

FIG. 2 is a perspective view of the crawler track shoe of FIG. 1.

FIG. 3 is a perspective, top, right side view of the crawler track shoe of FIG. 1.

FIG. 4 is a top view of the crawler track shoe of FIG. 1.

FIG. 5 is a bottom view of the crawler track shoe of FIG. 1.

FIG. 6 is a left side view of the crawler track shoe of FIG. 1.

FIG. 7 is a right side view of the crawler track shoe of FIG. 1.

FIG. 8 is a rear view of the crawler track shoe of FIG. 1; and,

FIG. 9 is a front view of the crawler track shoe of FIG. 1.

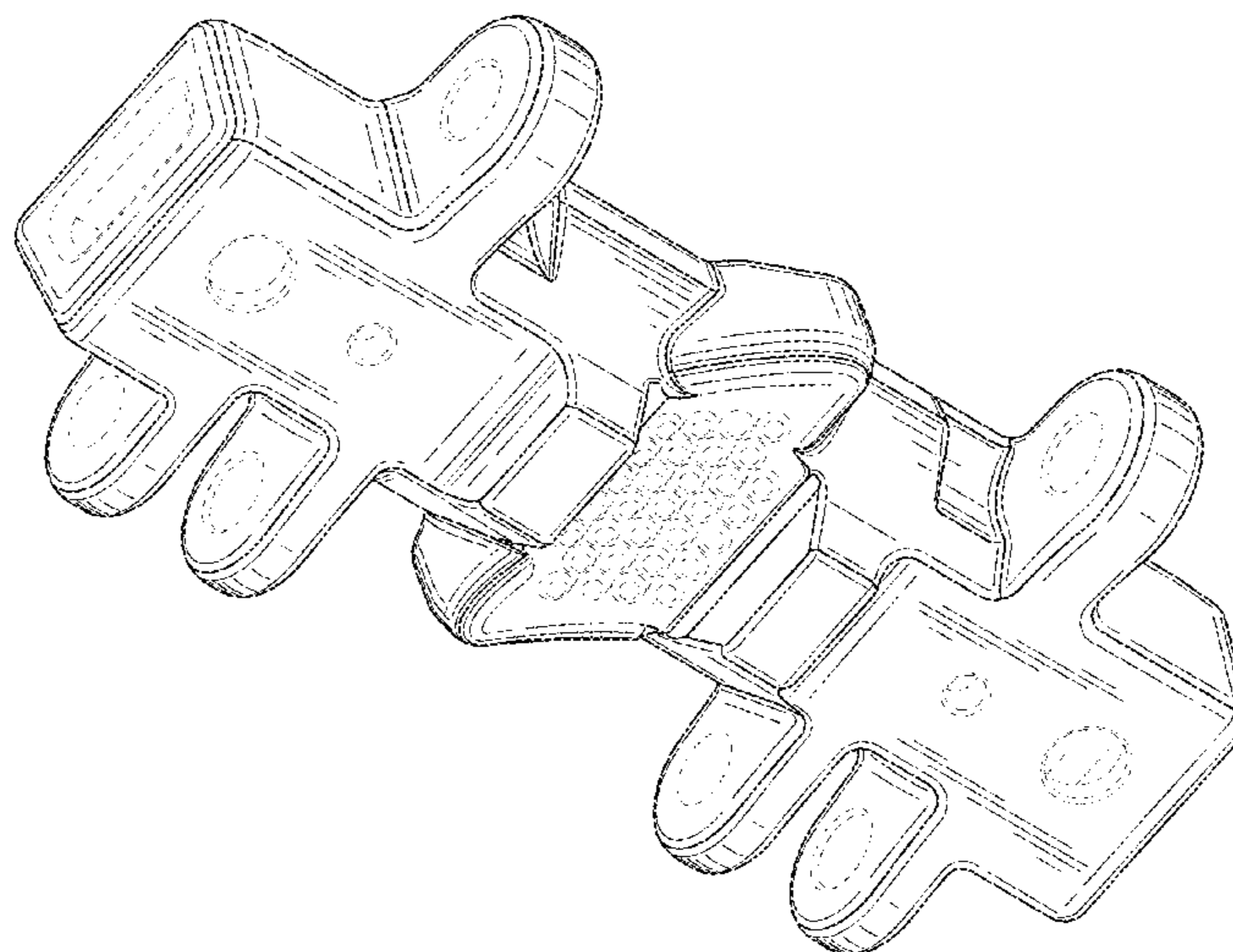
The elements shown in broken lines are included for the purpose of illustrating environment and form no part of the claimed design.

(56) **References Cited**

U.S. PATENT DOCUMENTS

2,452,921 A * 11/1948 Gillespie B62D 55/125
 305/198
 3,053,579 A 9/1962 Trudeau
 3,165,364 A 1/1965 Hardman et al.
 3,307,882 A * 3/1967 McFayden B62D 55/28
 29/402.13
 3,601,212 A 8/1971 Peterson et al.
 3,721,476 A * 3/1973 Andersson B60F 3/0015
 305/162
 4,139,240 A 2/1979 Profio et al.
 4,175,797 A 11/1979 Krekeler
 4,278,301 A 7/1981 Gregor et al.
 4,425,007 A * 1/1984 Soeteber B62D 55/12
 305/111

1 Claim, 7 Drawing Sheets



(56)

References Cited

U.S. PATENT DOCUMENTS

7,410,225 B1 8/2008 Marzetta et al.
D588,167 S * 3/2009 Shimozono D15/28
D588,168 S * 3/2009 Shimozono D15/28
7,530,650 B2 5/2009 Hannan et al.
7,703,863 B2 4/2010 Koolhiran

D618,255 S * 6/2010 Abiko D15/28
7,854,483 B2 12/2010 Bordini
7,866,767 B2 1/2011 Lemaire et al.
D655,724 S * 3/2012 Shimozono D15/28
8,272,701 B2 9/2012 Mulligan
2011/0221266 A1 9/2011 Bonnetain et al.
2013/0313891 A1* 11/2013 O'Neill B62D 55/202
305/198

* cited by examiner

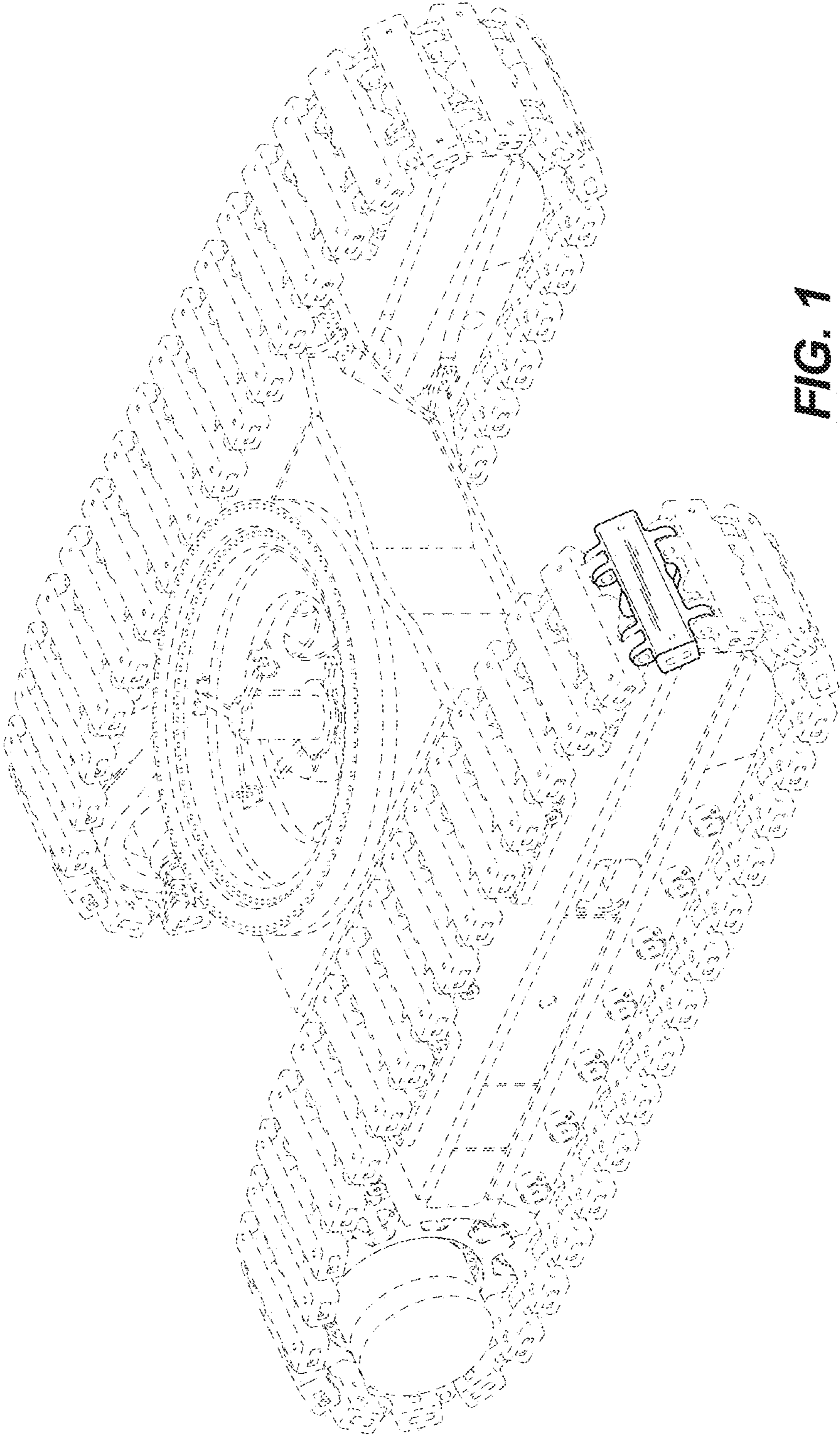


FIG. 1

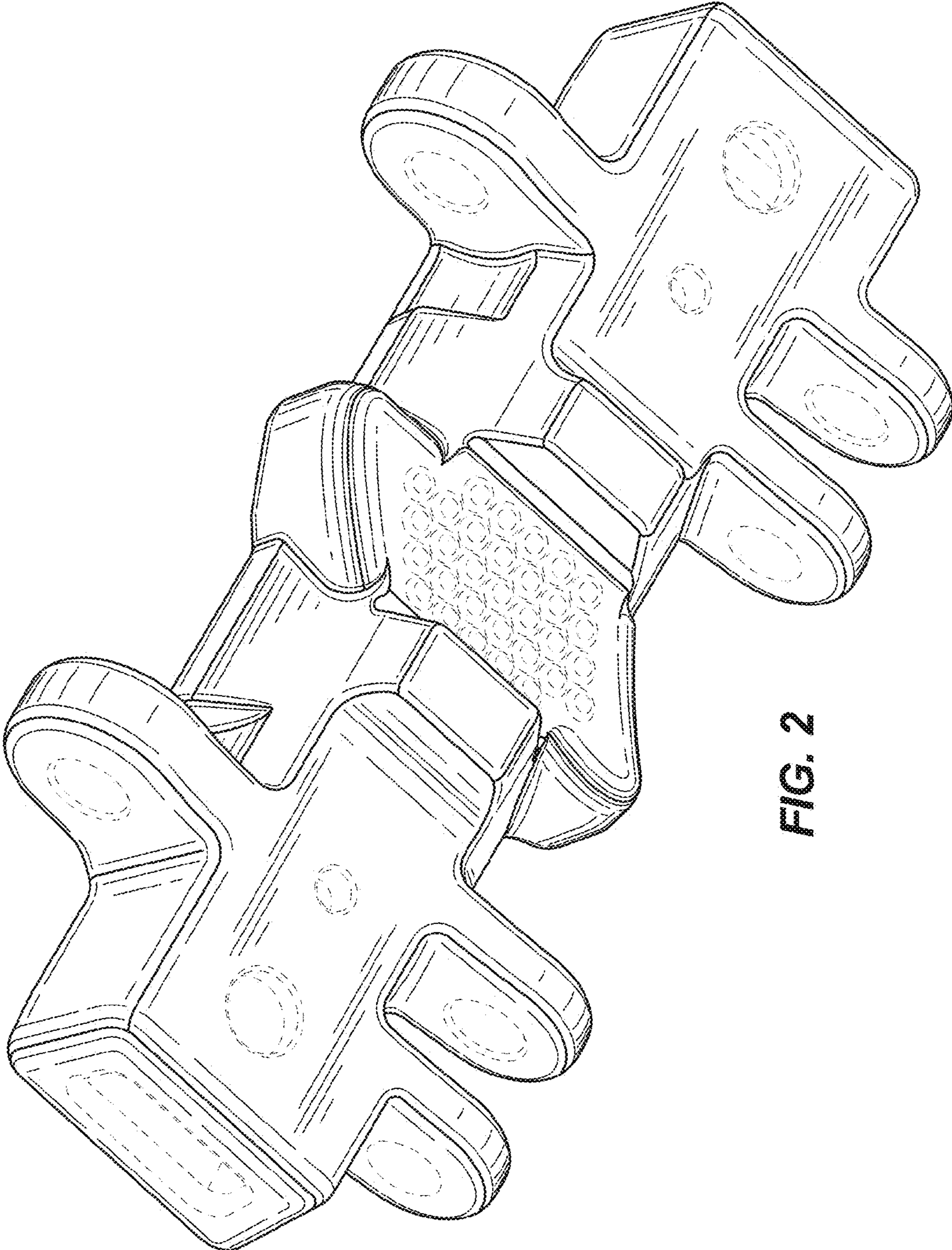


FIG. 2

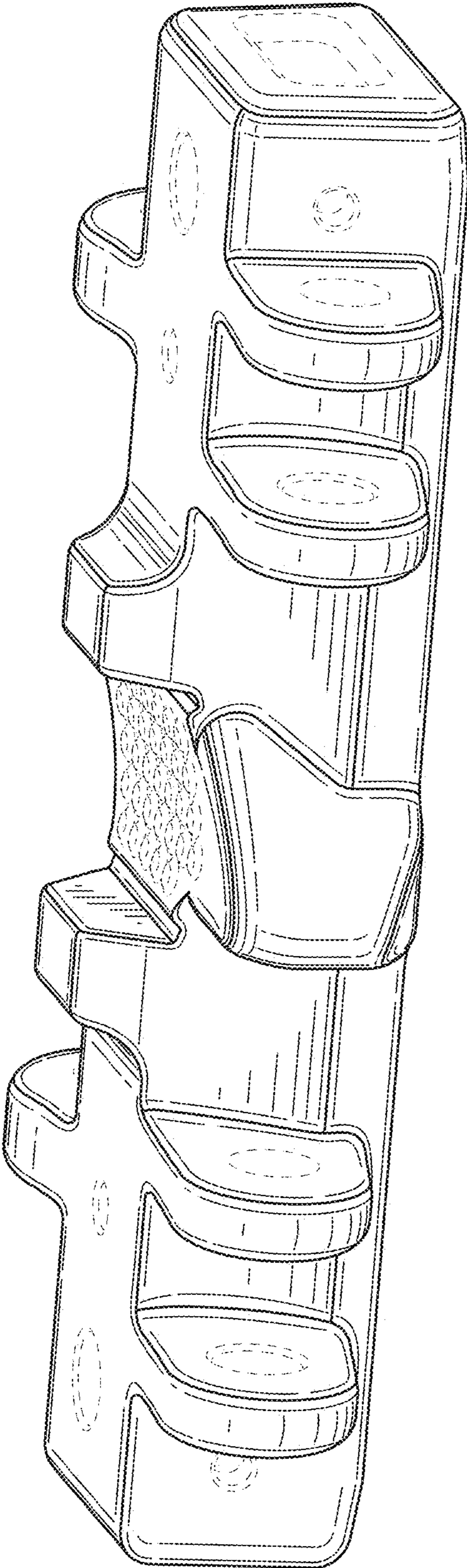


FIG. 3

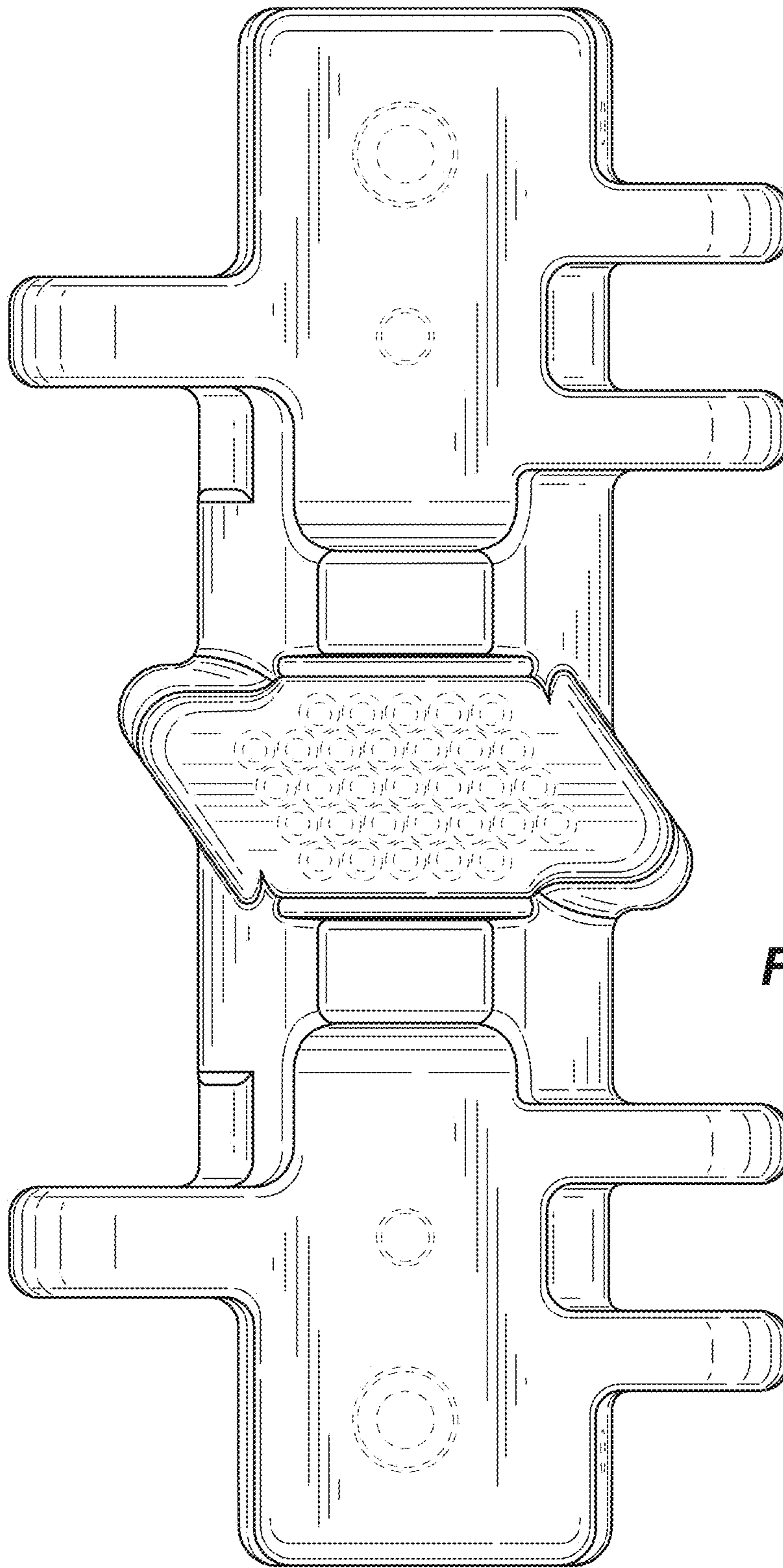


FIG. 4

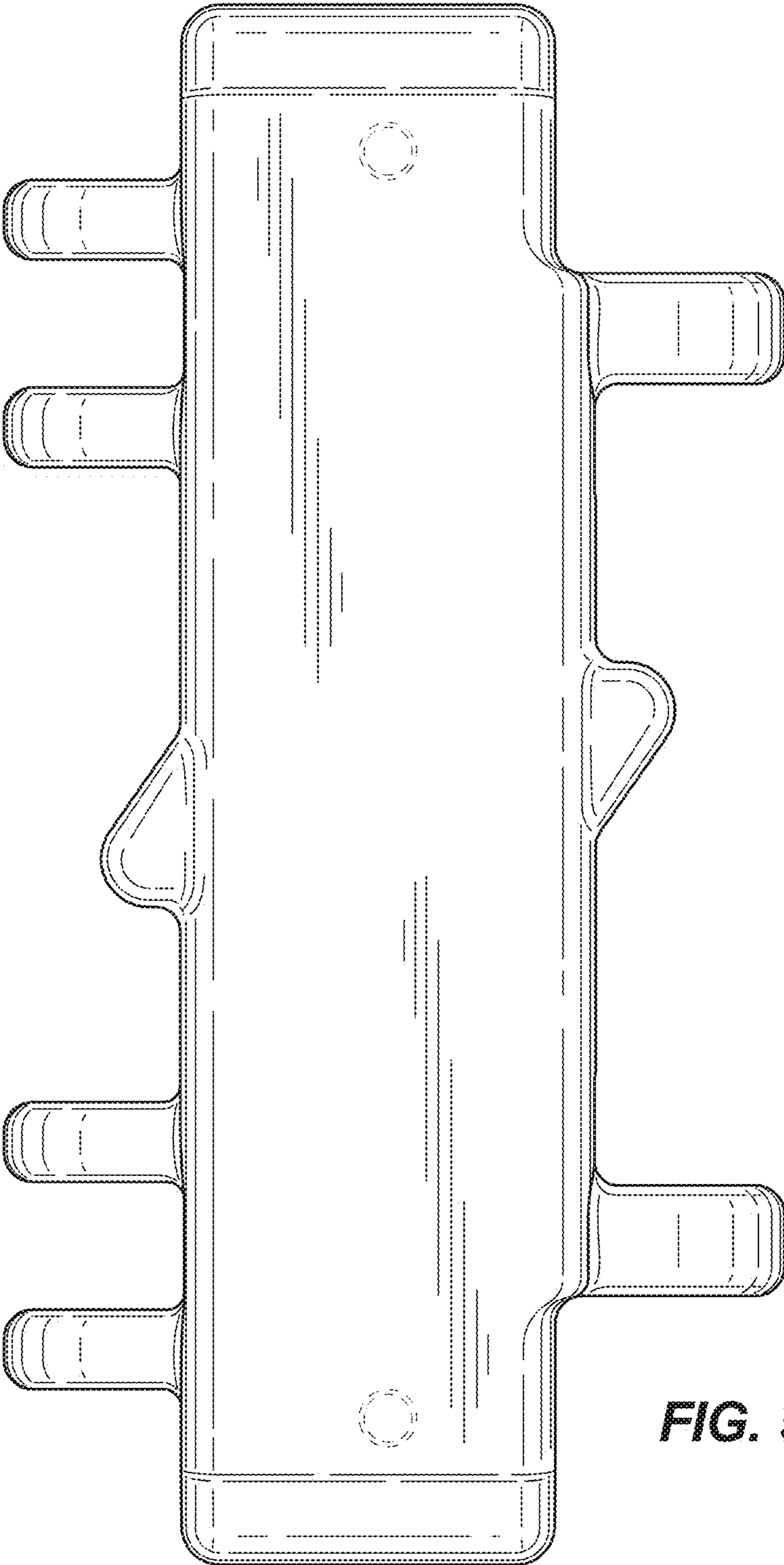


FIG. 5

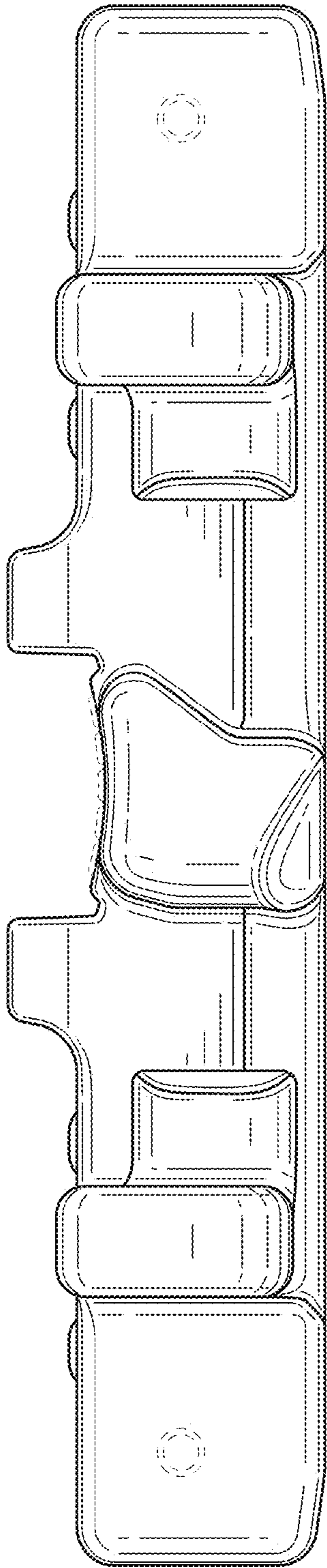


FIG. 6

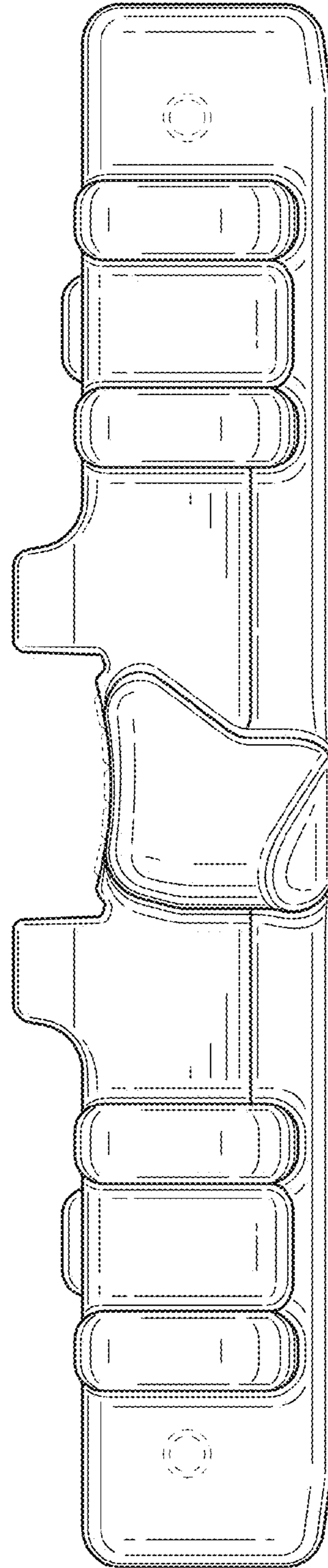


FIG. 7

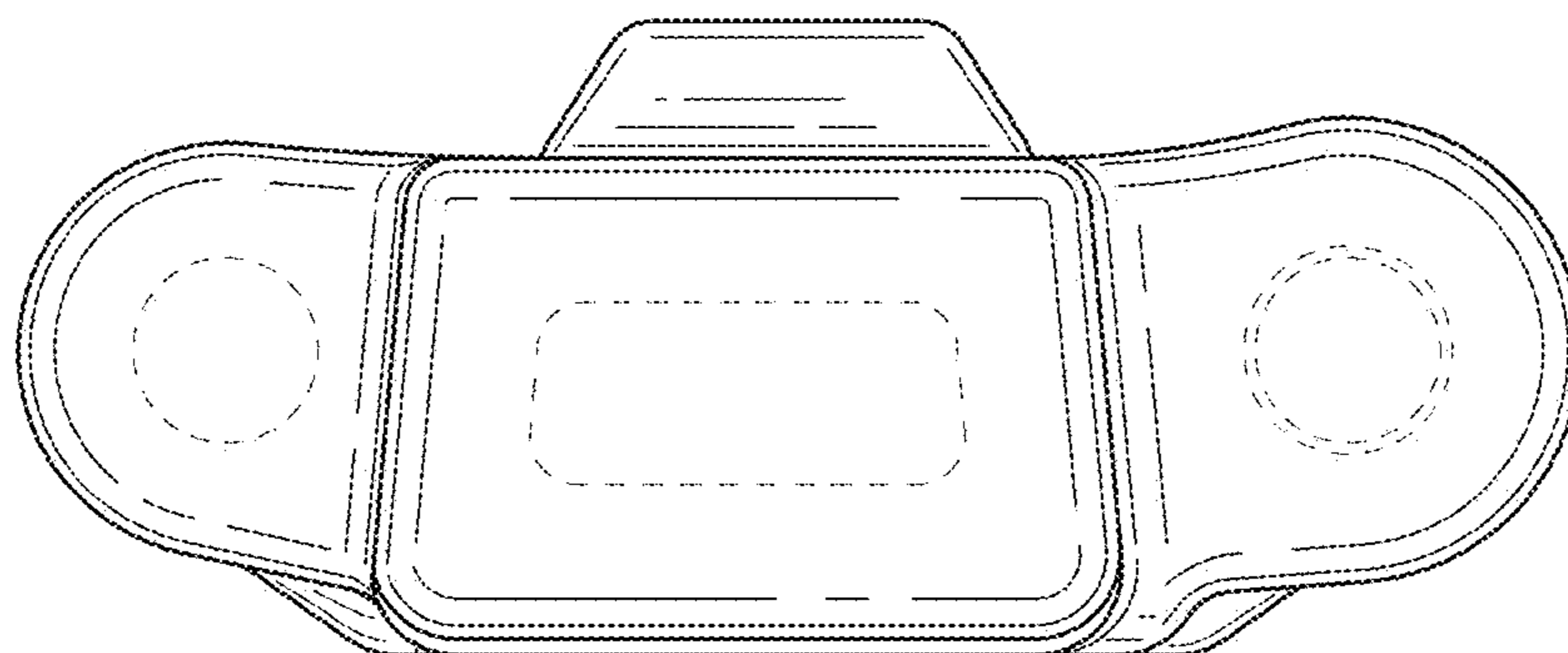


FIG. 8

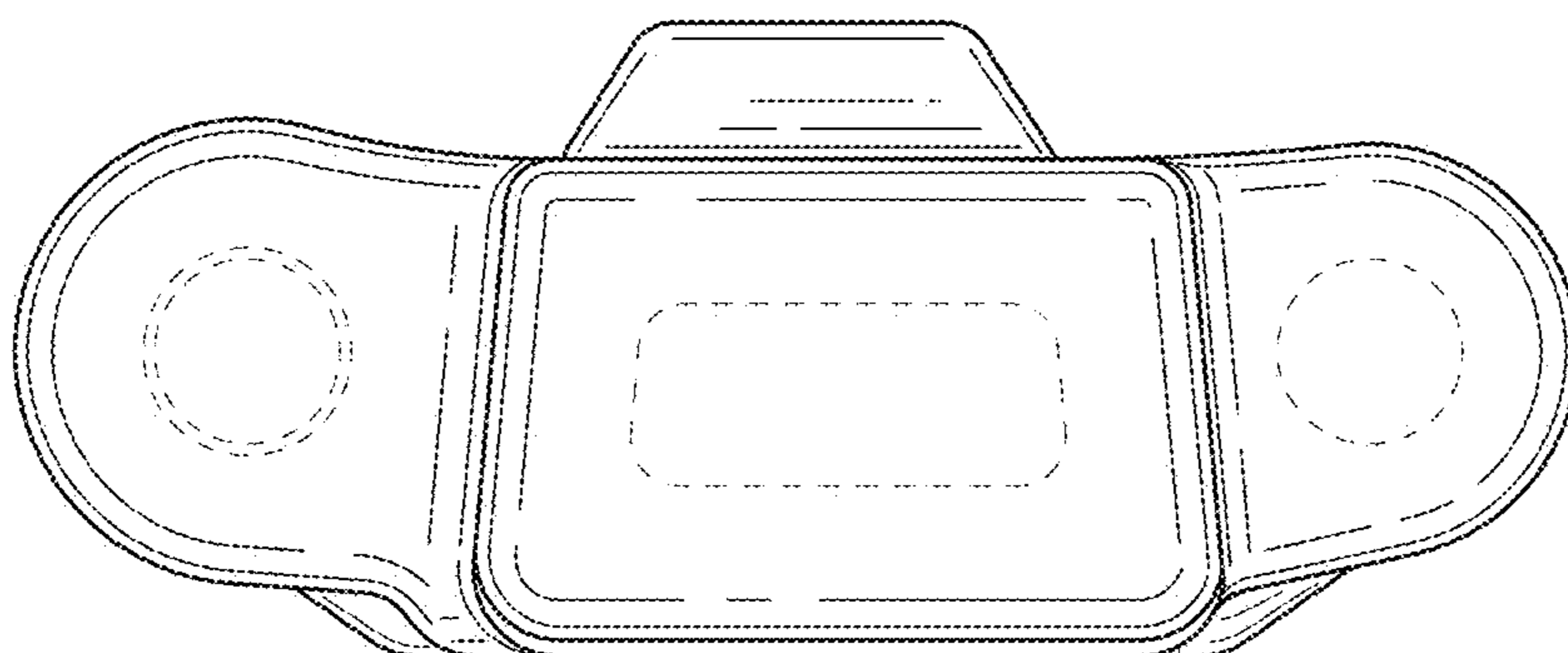


FIG. 9