



US00D748151S

(12) **United States Design Patent**
Benson

(10) **Patent No.:** **US D748,151 S**

(45) **Date of Patent:** **** Jan. 26, 2016**

(54) **SPREADER BAR**

(71) Applicant: **Gregory C. Benson**, Pell City, AL (US)

(72) Inventor: **Gregory C. Benson**, Pell City, AL (US)

(73) Assignee: **FONTAINE HEAVY-HAUL**,
Springville, AL (US)

(**) Term: **14 Years**

(21) Appl. No.: **29/462,317**

(22) Filed: **Aug. 1, 2013**

(51) **LOC (10) Cl.** **15-03**

(52) **U.S. Cl.**
USPC **D15/28**

(58) **Field of Classification Search**
USPC D15/5, 10-33, 141, 138; 294/81.1,
294/81.5, 74, 81.51, 81.53, 81.2, 67.1,
294/81.21, 81.3, 81.4, 81.56, 103.1, 106,
294/65.5, 67.31, 67.33, 67.5, 75, 81.55,
294/81.6, 82.12, 82.35, 93, 82.13;
D12/317; 74/567-569; 414/686, 694,
414/722, 718, 815; D8/382; 172/439, 443,
172/248, 447, 450; 114/210, 294
CPC B66C 1/10; B66C 1/22; B66C 1/66
See application file for complete search history.

(56) **References Cited**

U.S. PATENT DOCUMENTS

D245,606	S	*	8/1977	Williams	D15/28
D272,069	S	*	1/1984	Larsson	D15/28
D272,250	S	*	1/1984	Larsson	D15/28
D275,011	S	*	8/1984	Larsson	D15/28

D324,054	S	*	2/1992	Smith	D15/32
6,089,328	A	*	7/2000	Moore et al.	172/447
6,371,217	B1	*	4/2002	Boden	172/450
6,591,918	B1	*	7/2003	Wojewodzki et al.	172/450
D593,848	S	*	6/2009	Balemi et al.	D8/382
D595,746	S	*	7/2009	Iida et al.	D15/32
8,342,585	B1	*	1/2013	Cooper et al.	294/101
8,555,995	B2	*	10/2013	Harris	172/810
8,757,284	B2	*	6/2014	Wolfe	172/439
8,899,645	B2	*	12/2014	LeBlanc	294/82.13
2001/0022226	A1	*	9/2001	Staude	172/439
2002/0043374	A1	*	4/2002	Luca et al.	172/4
2002/0189828	A1	*	12/2002	Casali et al.	172/439
2003/0159842	A1	*	8/2003	Casali et al.	172/439
2006/0245898	A1	*	11/2006	Diaz et al.	414/686
2007/0209810	A1	*	9/2007	Mozingo et al.	172/450

* cited by examiner

Primary Examiner — Cynthia Ramirez

Assistant Examiner — Gino Colan

(74) *Attorney, Agent, or Firm* — Jennifer Lacroix; DLA Piper LLP (US)

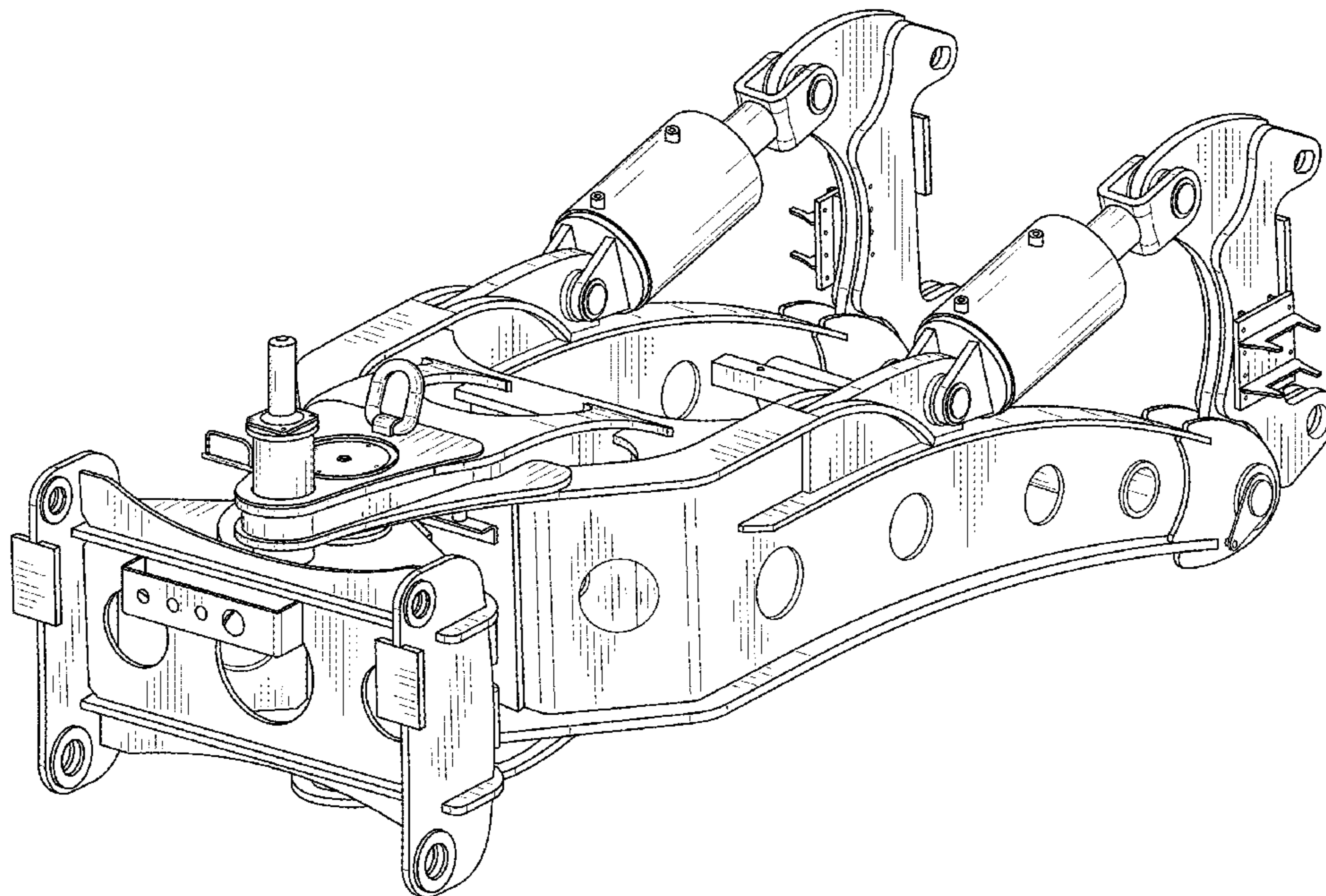
(57) **CLAIM**

The ornamental design for a spreader bar, as shown and described.

DESCRIPTION

FIG. 1 is a perspective view of the spreader bar;
FIG. 2 is a rear elevational view of the spreader bar;
FIG. 3 is a front elevational view of the spreader bar;
FIG. 4 is a right side elevational view of the spreader bar;
FIG. 5 is a left side elevational view of the spreader bar;
FIG. 6 is a top plan view of the spreader bar; and,
FIG. 7 is a bottom plan view of the spreader bar.

1 Claim, 7 Drawing Sheets



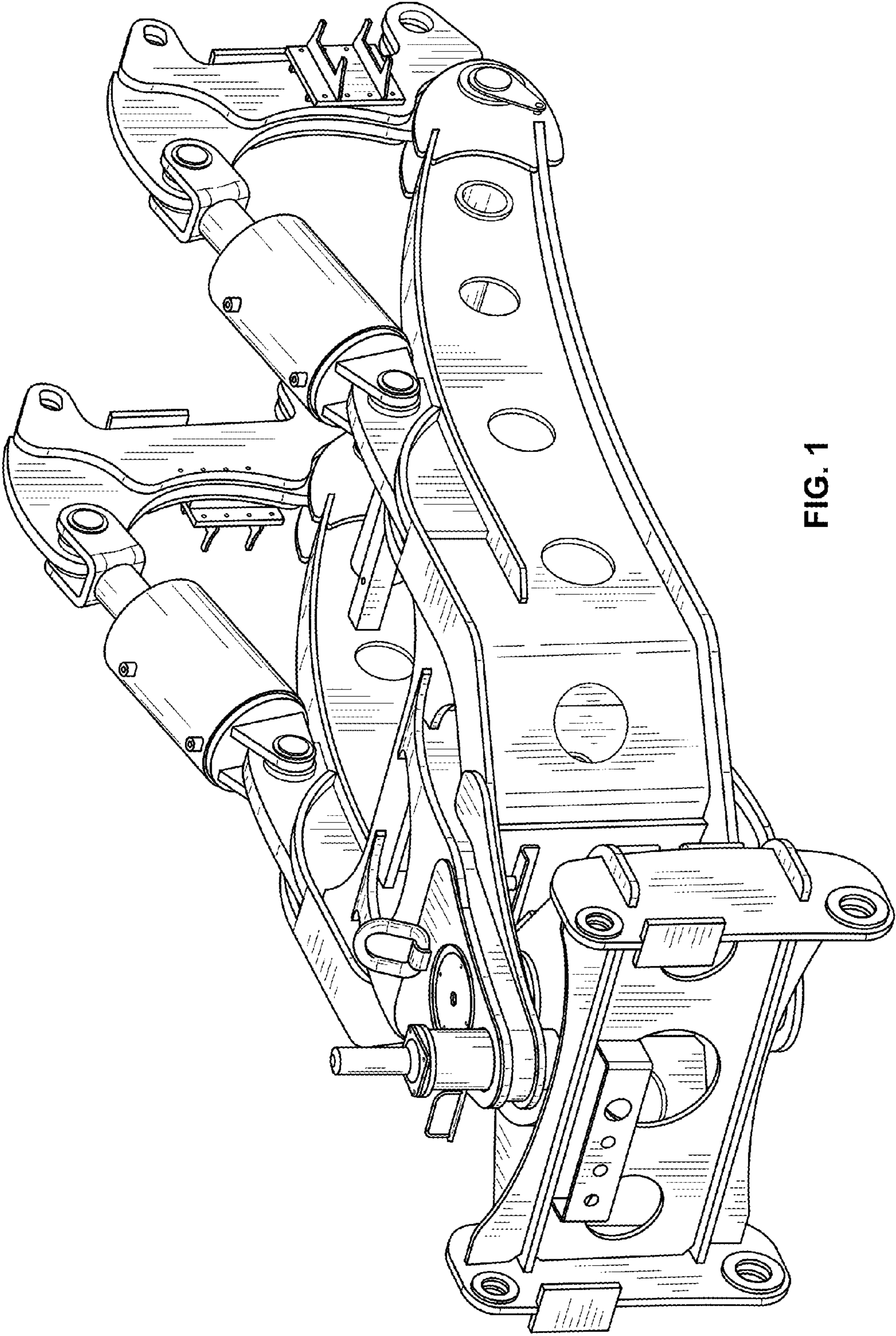


FIG. 1

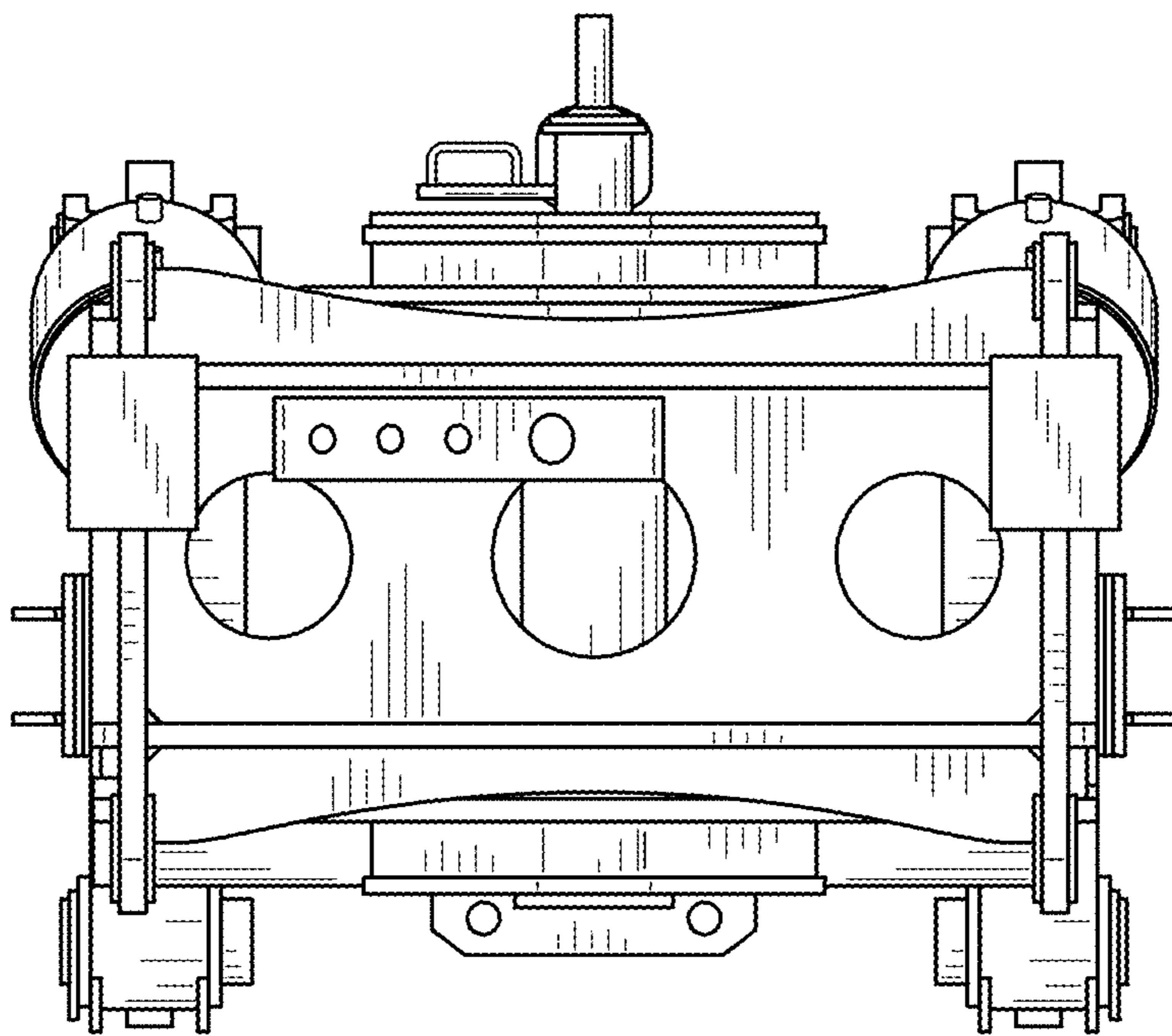


FIG. 2

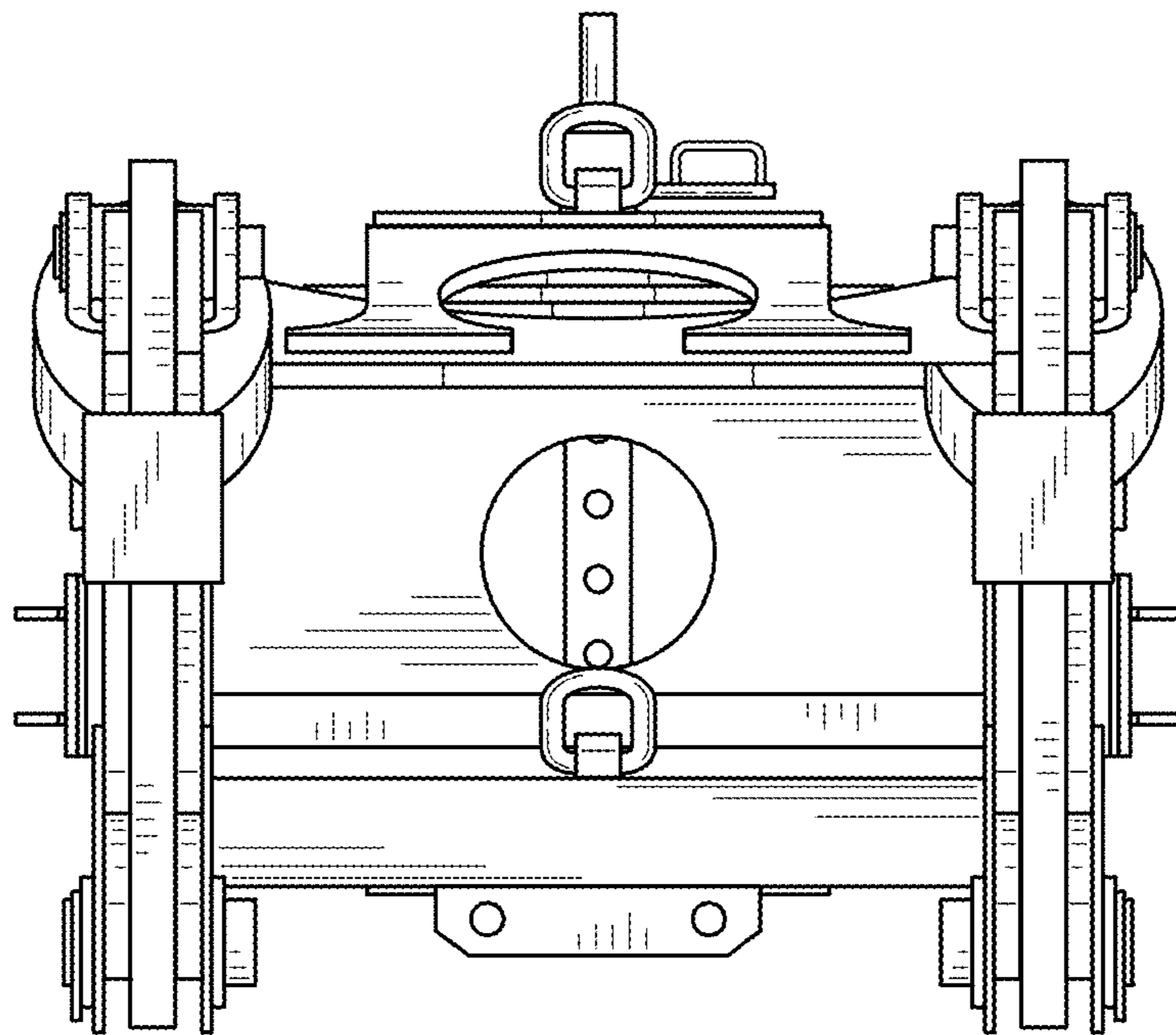


FIG. 3

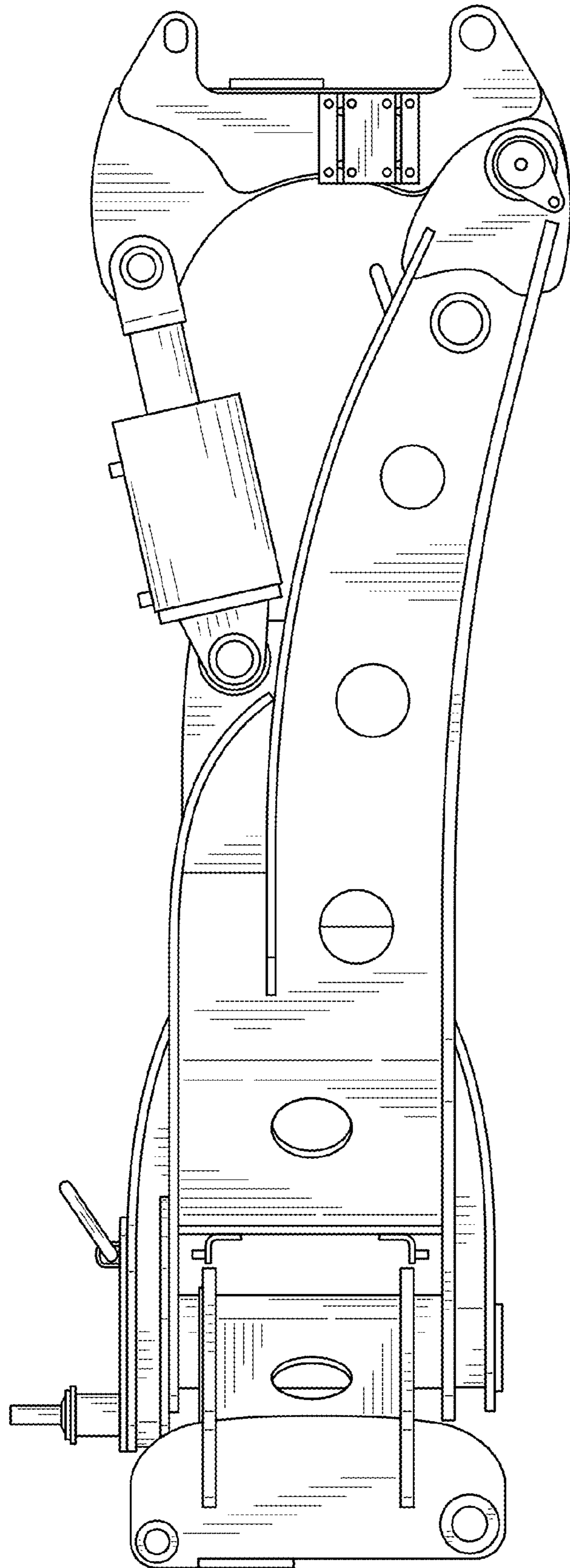


FIG. 4

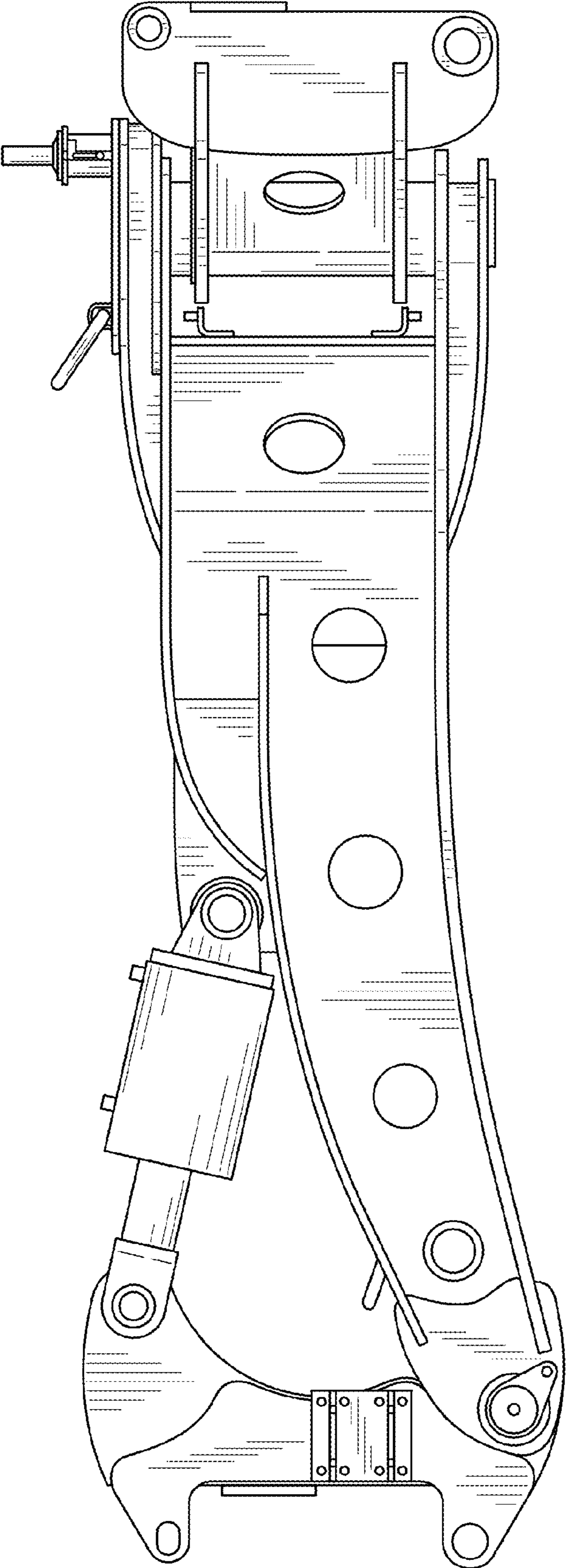


FIG. 5

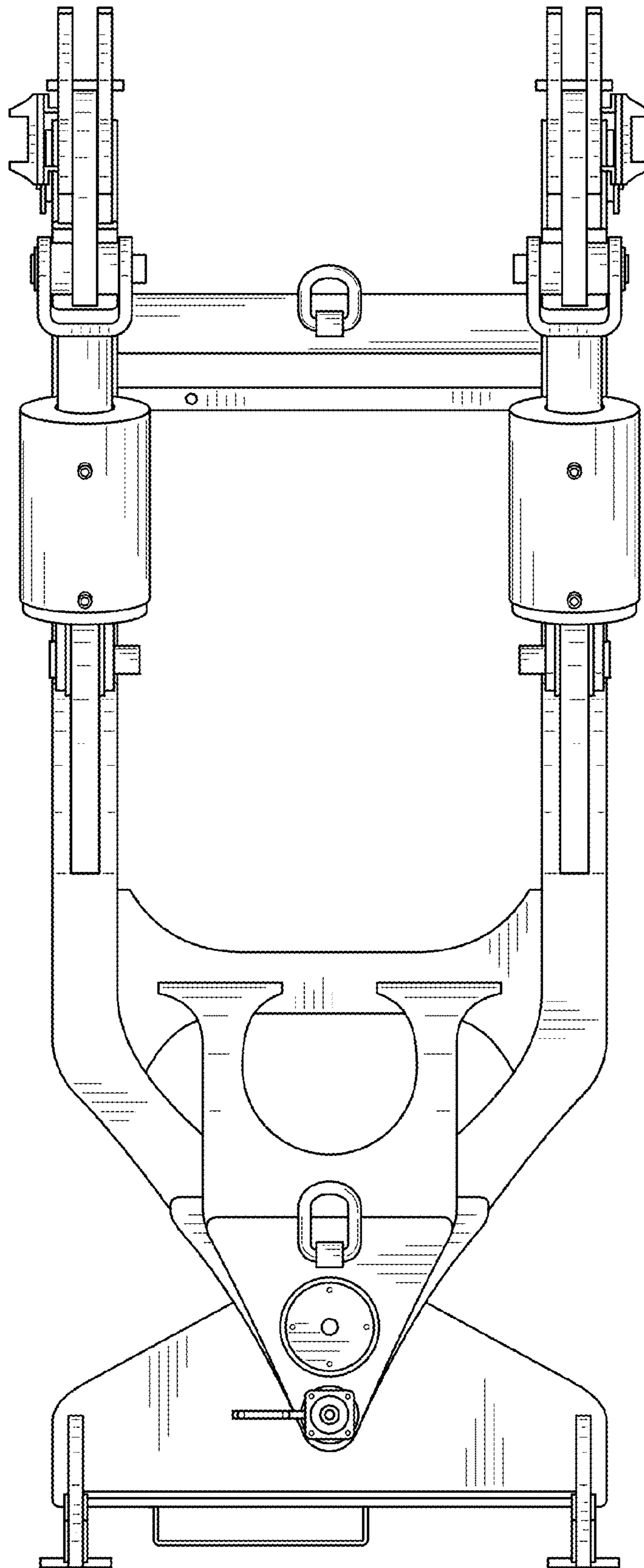


FIG. 6

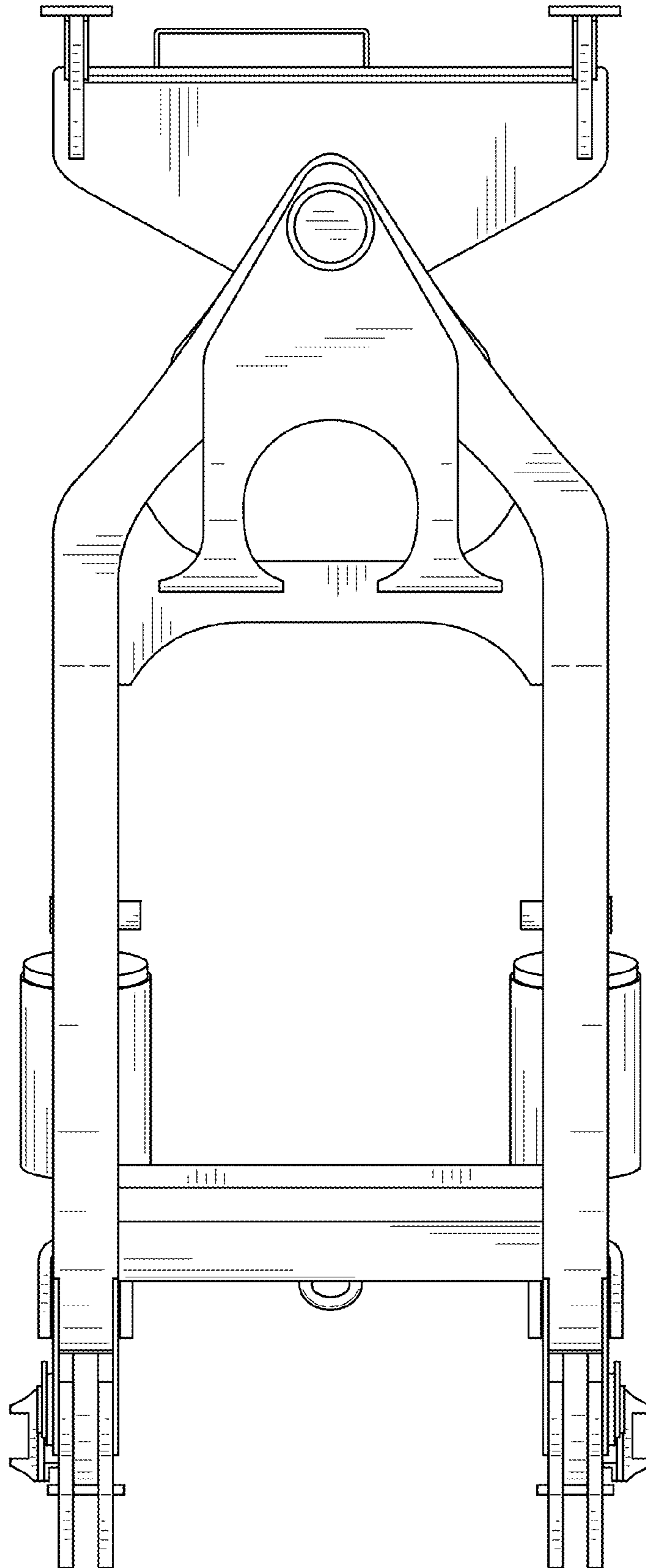


FIG. 7