



US00D748150S

(12) **United States Design Patent**
Shoemaker

(10) **Patent No.:** **US D748,150 S**
(45) **Date of Patent:** **** Jan. 26, 2016**

- (54) **HORIZONTAL COMPLETION TREE**
- (71) Applicant: **Bart Thomas Shoemaker**, Kyle, TX (US)
- (72) Inventor: **Bart Thomas Shoemaker**, Kyle, TX (US)
- (73) Assignee: **Shoemaker Wellsite Outfitters & Supply LLC.**, Kyle, TX (US)
- (**) Term: **14 Years**
- (21) Appl. No.: **29/496,092**
- (22) Filed: **Jul. 9, 2014**
- (51) **LOC (10) Cl.** **15-03**
- (52) **U.S. Cl.**
USPC **D15/21**
- (58) **Field of Classification Search**
USPC D15/10, 21; 166/244.1, 75.11, 50, 54.1, 166/379, 97.1, 90.1
CPC E21B 34/02; E21B 33/03; E21B 33/038
See application file for complete search history.

2013/0032328	A1*	2/2013	Guidry	E21B 43/26	166/177.5
2013/0175039	A1*	7/2013	Guidry	E21B 33/03	166/308.1
2013/0206420	A1*	8/2013	McHugh	E21B 33/037	166/351
2013/0233542	A1*	9/2013	Shampine	E21B 43/26	166/279
2013/0248182	A1*	9/2013	Chong	E21B 33/14	166/285
2014/0246211	A1*	9/2014	Guidry	E21B 43/26	166/379
2014/0294693	A1*	10/2014	Baum	C07C 67/03	422/187
2015/0027730	A1*	1/2015	Hall	E21B 34/02	166/379
2015/0184491	A1*	7/2015	Kajaria	E21B 41/00	166/90.1

* cited by examiner

Primary Examiner — Mark Goodwin
(74) *Attorney, Agent, or Firm* — Pierson IP, PLLC

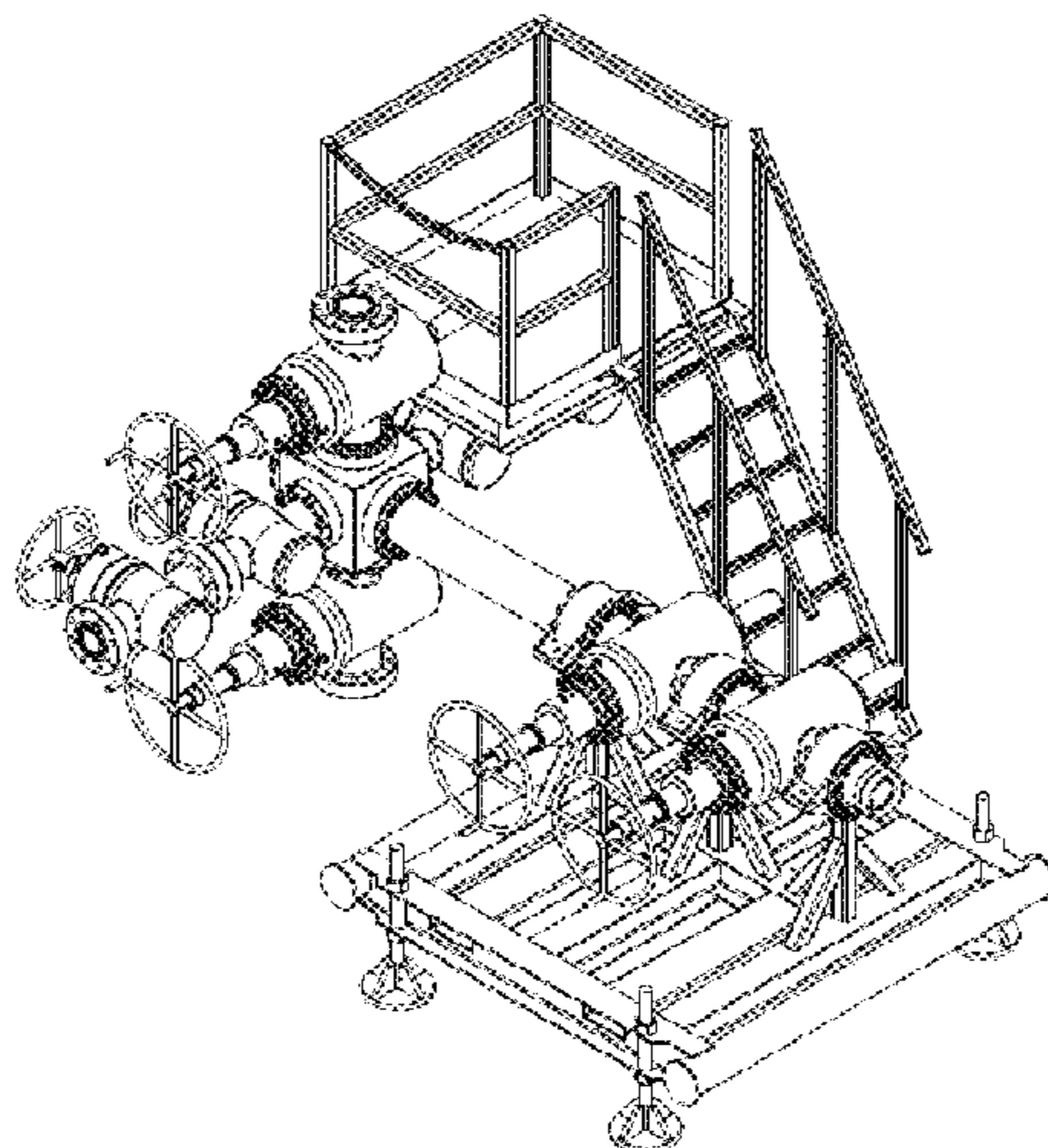
(57) **CLAIM**
The ornamental design for a horizontal completion tree, as shown and described.

DESCRIPTION

FIG. 1 is a perspective view of a horizontal completion tree showing our new design thereof;
FIG. 2 is a first side view of the horizontal completion tree shown in FIG. 1;
FIG. 3 is a second side view of the horizontal completion tree shown in FIG. 1;
FIG. 4 is a front view of the horizontal completion tree shown in FIG. 1;
FIG. 5 is a back view of the horizontal completion tree shown in FIG. 1;
FIG. 6 is a top view of the horizontal completion tree shown in FIG. 1; and,
FIG. 7 is a bottom view of the horizontal completion tree shown in FIG. 1.

1 Claim, 7 Drawing Sheets

- (56) **References Cited**
U.S. PATENT DOCUMENTS
- D236,372 S * 8/1975 Dunn D15/21
- D264,590 S * 5/1982 Thomas D15/21
- D282,368 S * 1/1986 Smith D15/21
- D292,215 S * 10/1987 Bergh D15/7
- 5,005,650 A * 4/1991 Hopper E21B 41/10
166/339
- 5,873,415 A * 2/1999 Edwards E21B 34/045
166/344
- 6,601,649 B2 * 8/2003 Beato B63B 21/50
166/352
- 6,805,200 B2 * 10/2004 DeBerry E21B 7/12
166/347
- 2002/0166698 A1 * 11/2002 Beato B63B 21/50
175/7
- 2003/0051878 A1 * 3/2003 DeBerry E21B 7/12
166/348



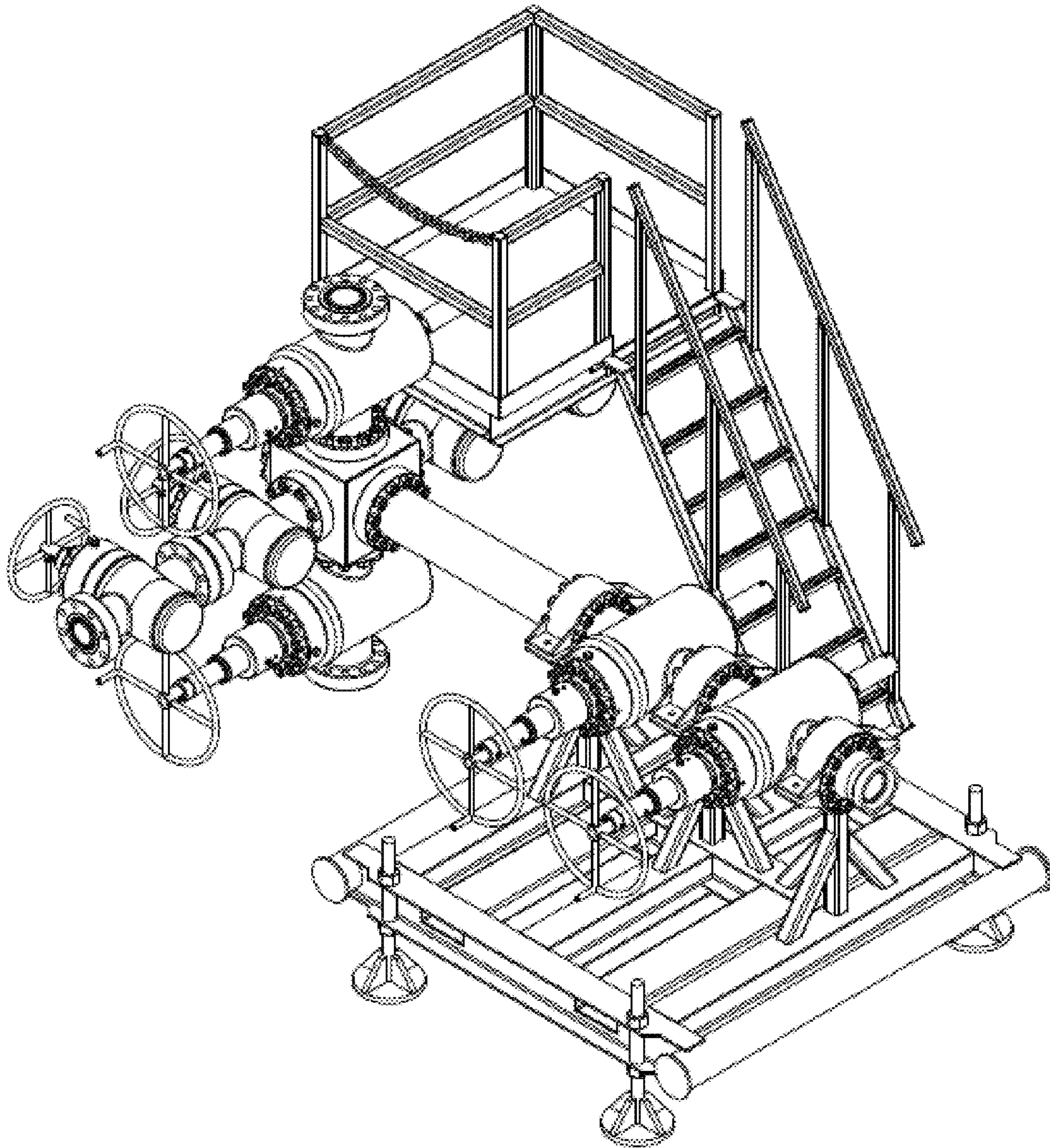


FIGURE 1

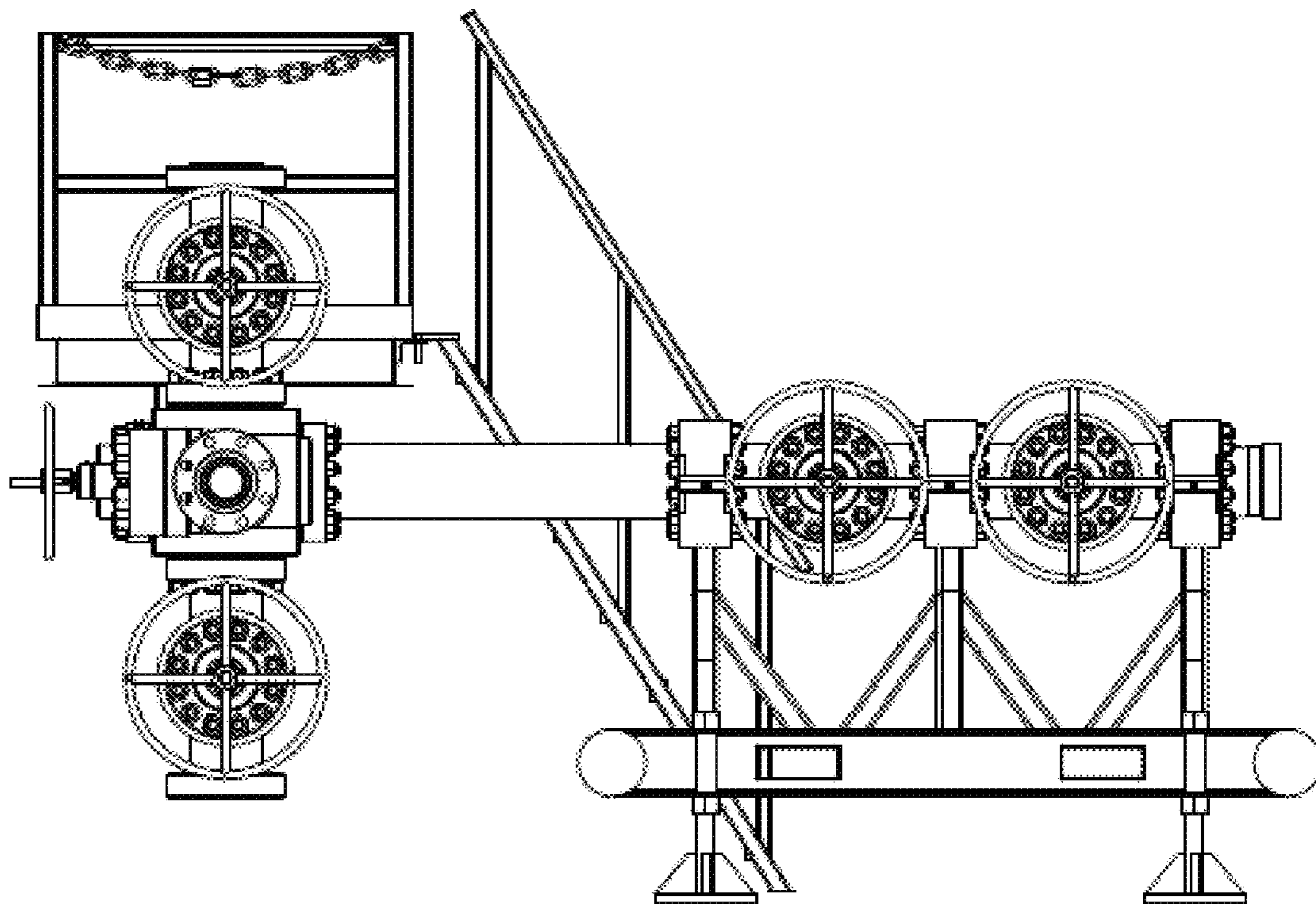


FIGURE 2

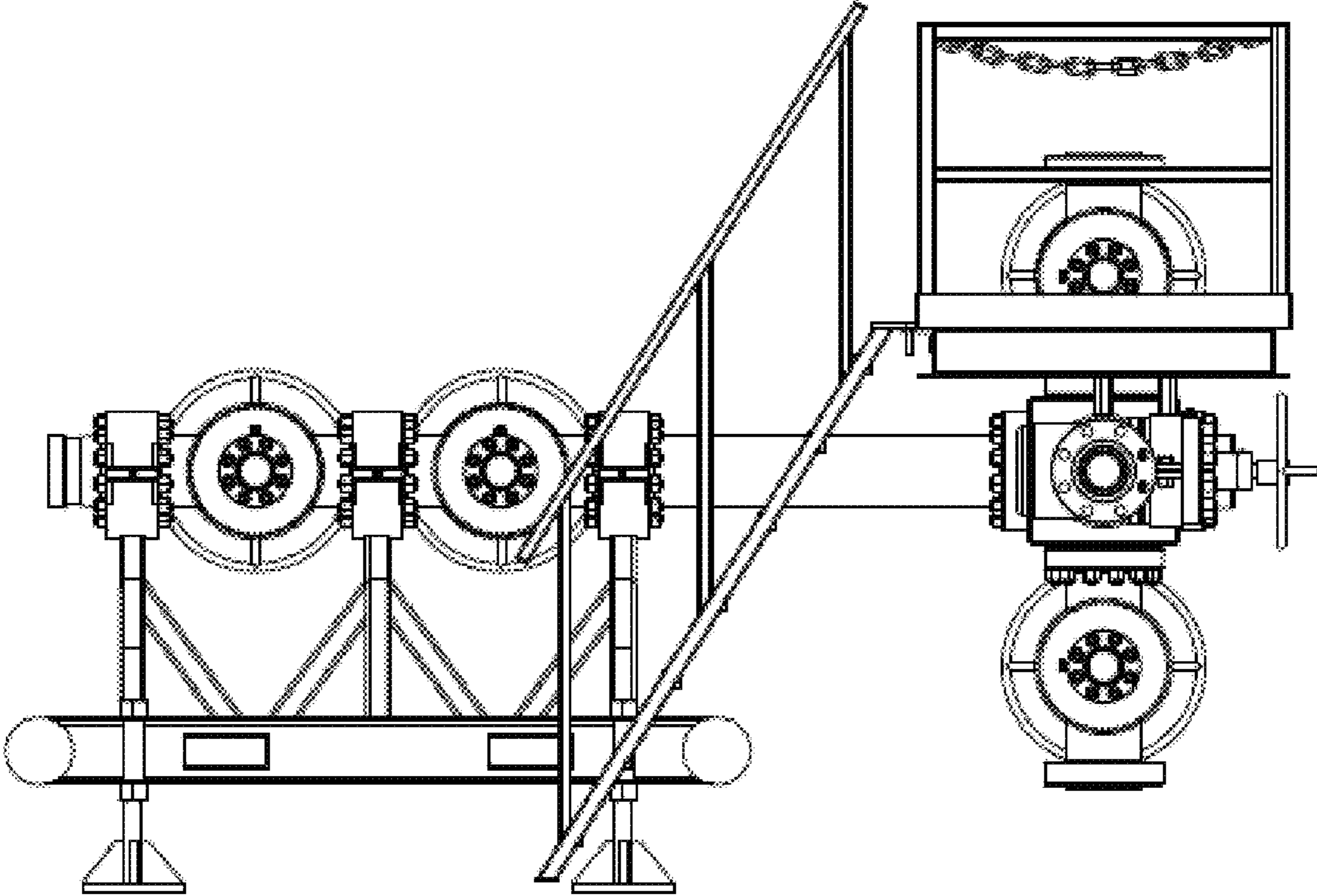


FIGURE 3

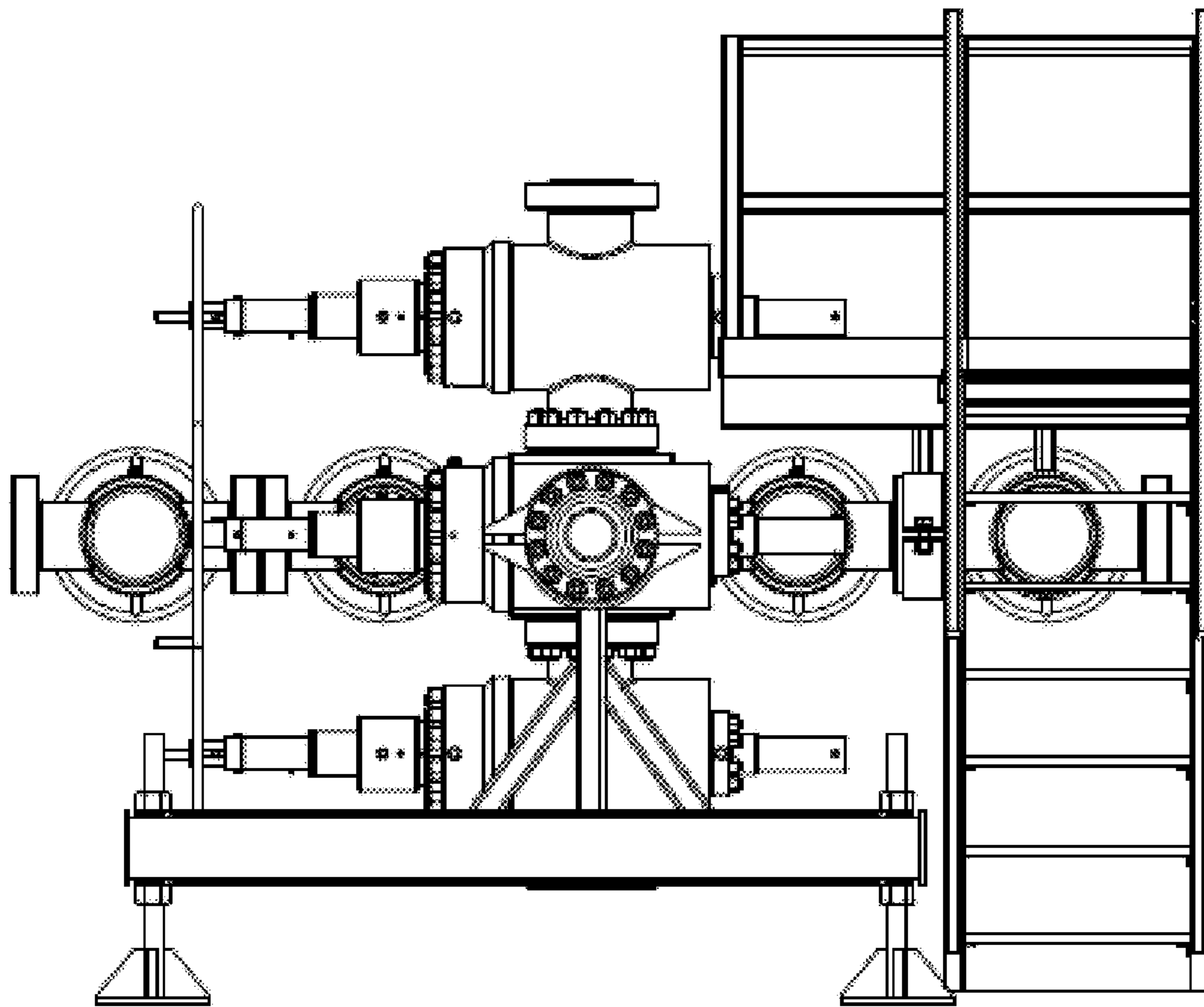


FIGURE 4

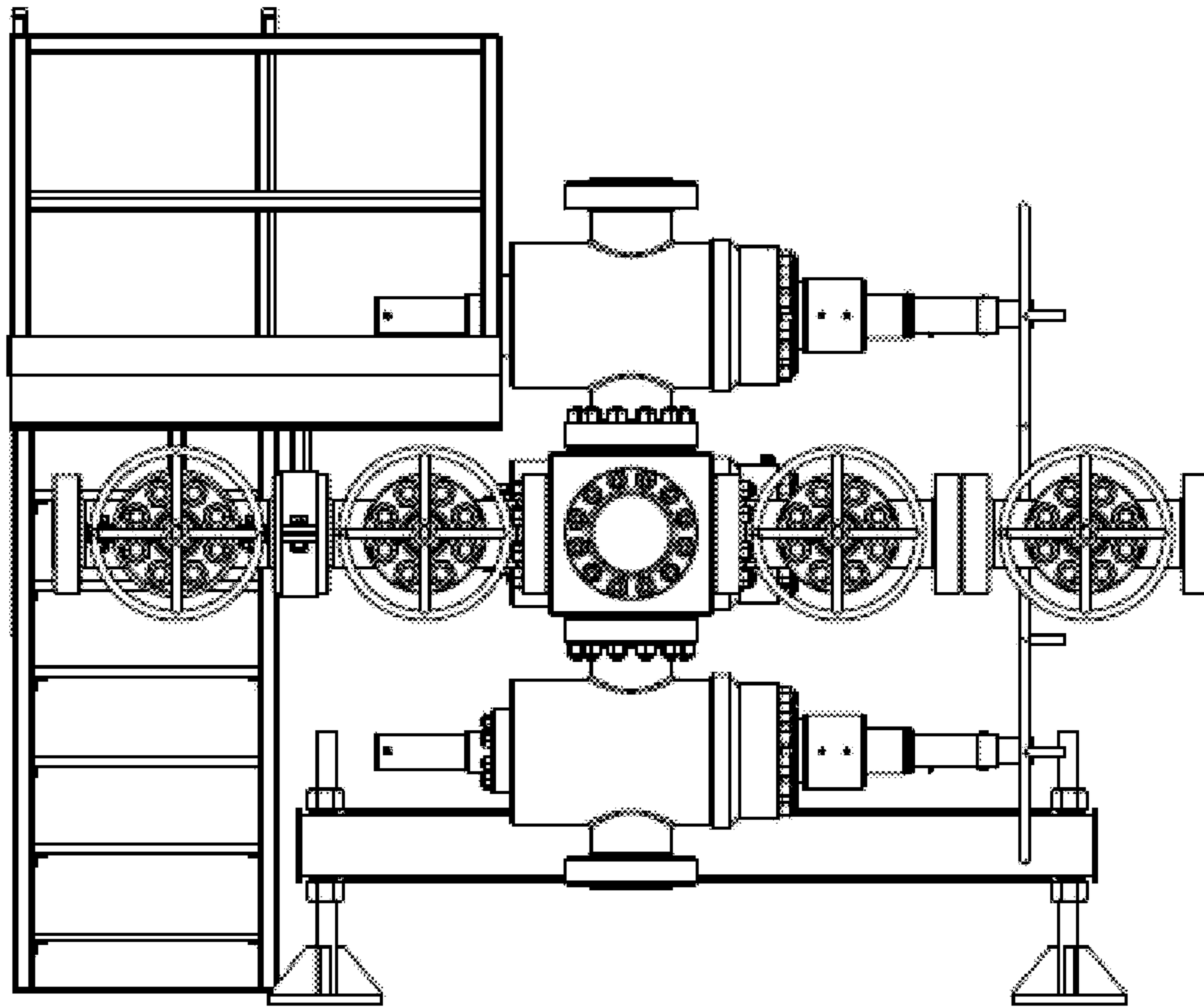


FIGURE 5

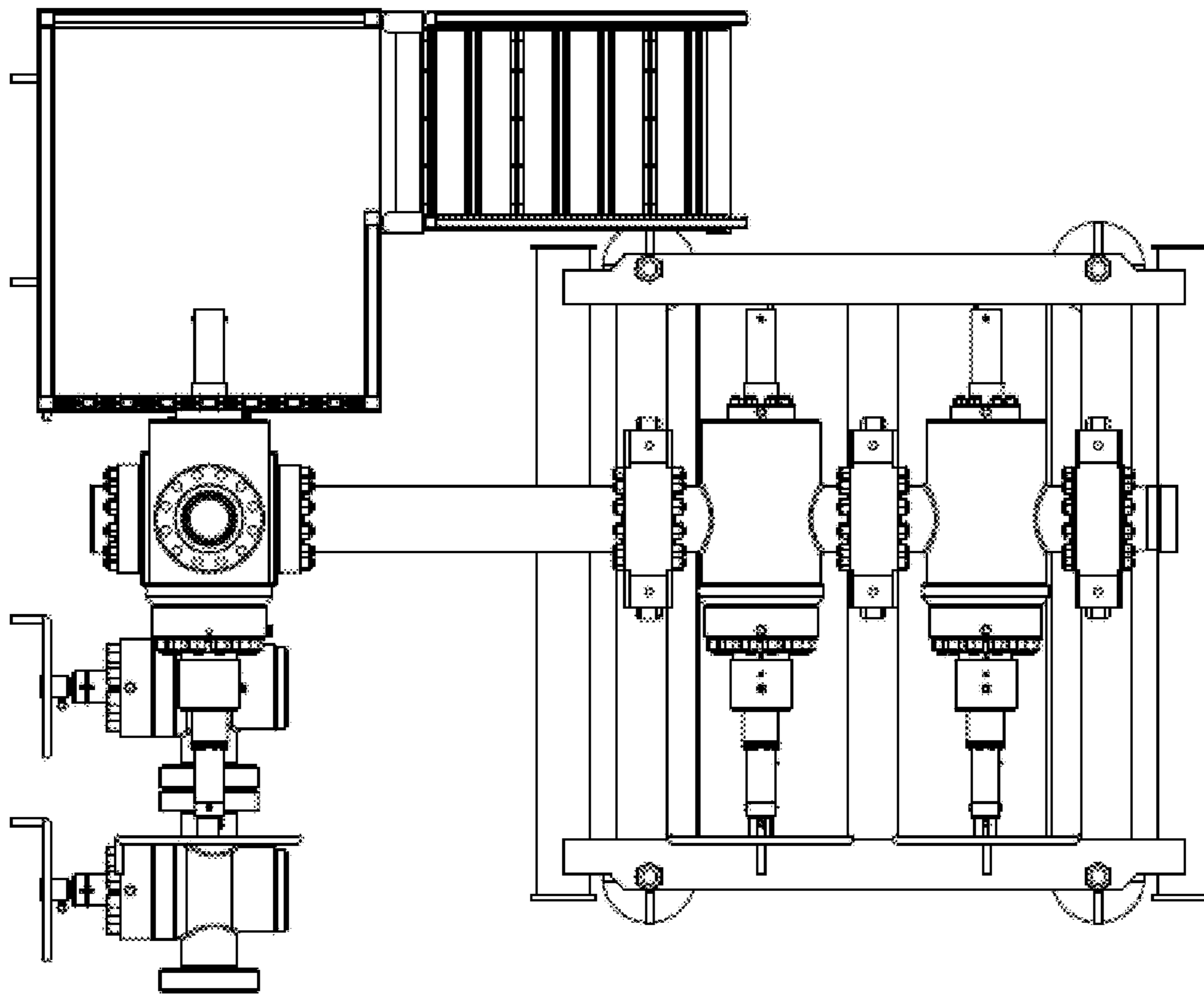


FIGURE 6

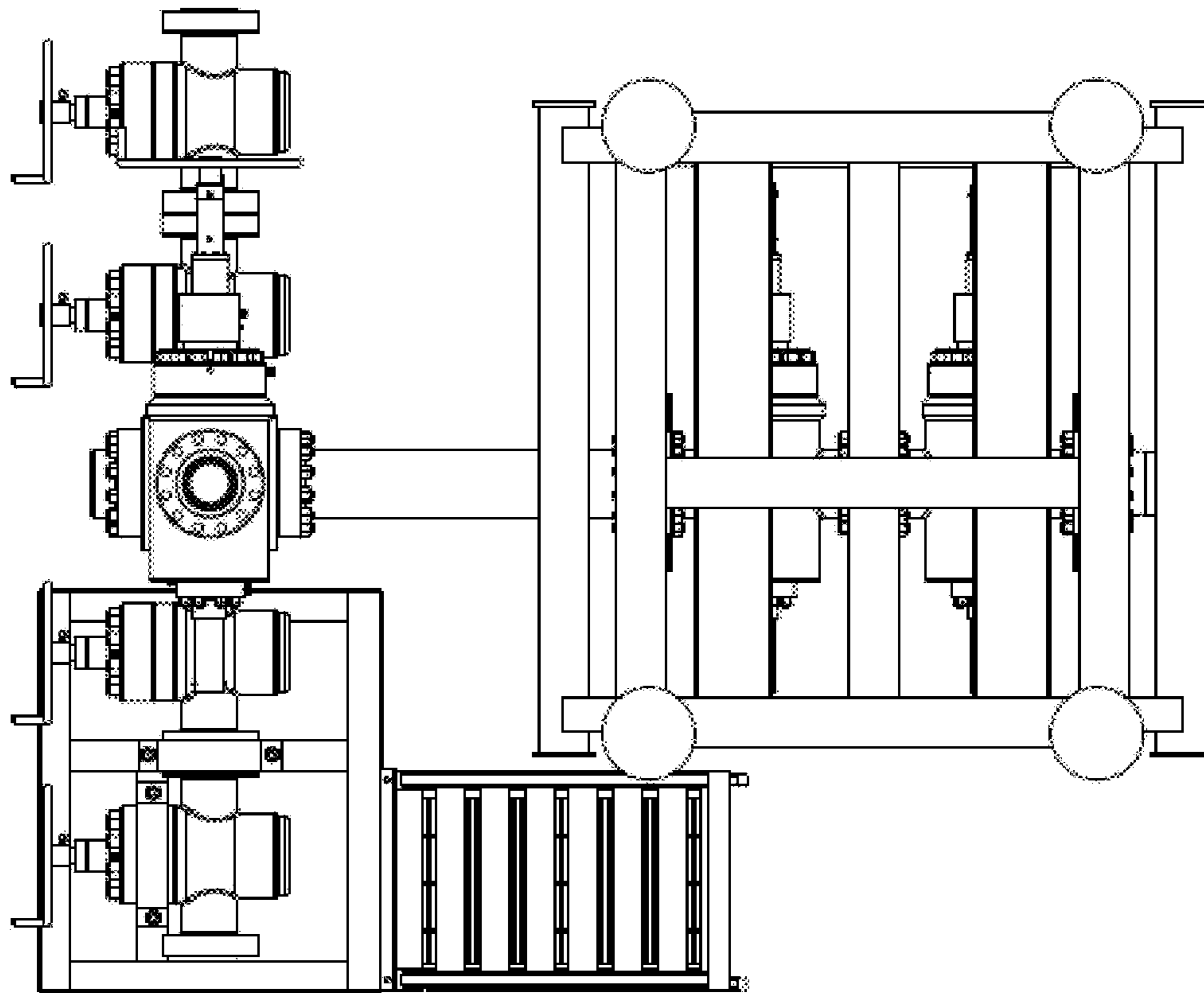


FIGURE 7