



US00D748149S

(12) **United States Design Patent**  
**Laws**

(10) **Patent No.:** **US D748,149 S**  
(45) **Date of Patent:** **\*\* Jan. 26, 2016**

- (54) **CARBURETOR**
- (71) Applicant: **TAJMLLC**, Howey-in-the-Hills, FL (US)
- (72) Inventor: **James M. Laws**, Howey in the Hills, FL (US)
- (73) Assignee: **TAJMLLC**, Howey-in-the-Hills, FL (US)
- (\*\*) Term: **14 Years**
- (21) Appl. No.: **29/476,105**
- (22) Filed: **Dec. 11, 2013**
- (51) **LOC (10) Cl.** ..... **15-01**
- (52) **U.S. Cl.**  
USPC ..... **D15/6**
- (58) **Field of Classification Search**  
USPC ..... 261/36.2, 34.2, 23.2; D15/1-6;  
123/59.5, 702, 439, 579  
CPC ..... F02M 1/00; F02M 13/00; F02M 17/00;  
F02M 69/043; F02M 7/17  
See application file for complete search history.

- D578,550 S \* 10/2008 Benoit ..... D15/6
- D619,621 S \* 7/2010 Braswell ..... D15/6
- D619,622 S \* 7/2010 Braswell ..... D15/6
- D619,623 S \* 7/2010 Braswell ..... D15/6
- D648,746 S \* 11/2011 Tipton ..... D15/6
- 8,231,110 B2 \* 7/2012 Stoner ..... F02M 5/08  
137/43
- D721,389 S \* 1/2015 Gieske ..... D15/6
- 2005/0082694 A1 \* 4/2005 Grant ..... F02D 9/1055  
261/63
- 2007/0013086 A1 \* 1/2007 Cooper ..... F02M 5/12  
261/70
- 2009/0145406 A1 \* 6/2009 Farrell ..... F02M 35/10032  
123/470
- 2010/0077993 A1 \* 4/2010 Satterfield ..... F02M 13/00  
123/439
- 2013/0298871 A1 \* 11/2013 Bennett ..... F02M 35/10216  
123/445
- 2015/0233325 A1 \* 8/2015 James ..... F02M 19/02  
261/64.4

\* cited by examiner

*Primary Examiner* — T. Chase Nelson  
*Assistant Examiner* — Ania Aman

(74) *Attorney, Agent, or Firm* — Mark Malek; Dan Pierron; Widerman Malek, PL

(57) **CLAIM**

The ornamental design for a carburetor, as shown and described.

(56) **References Cited**

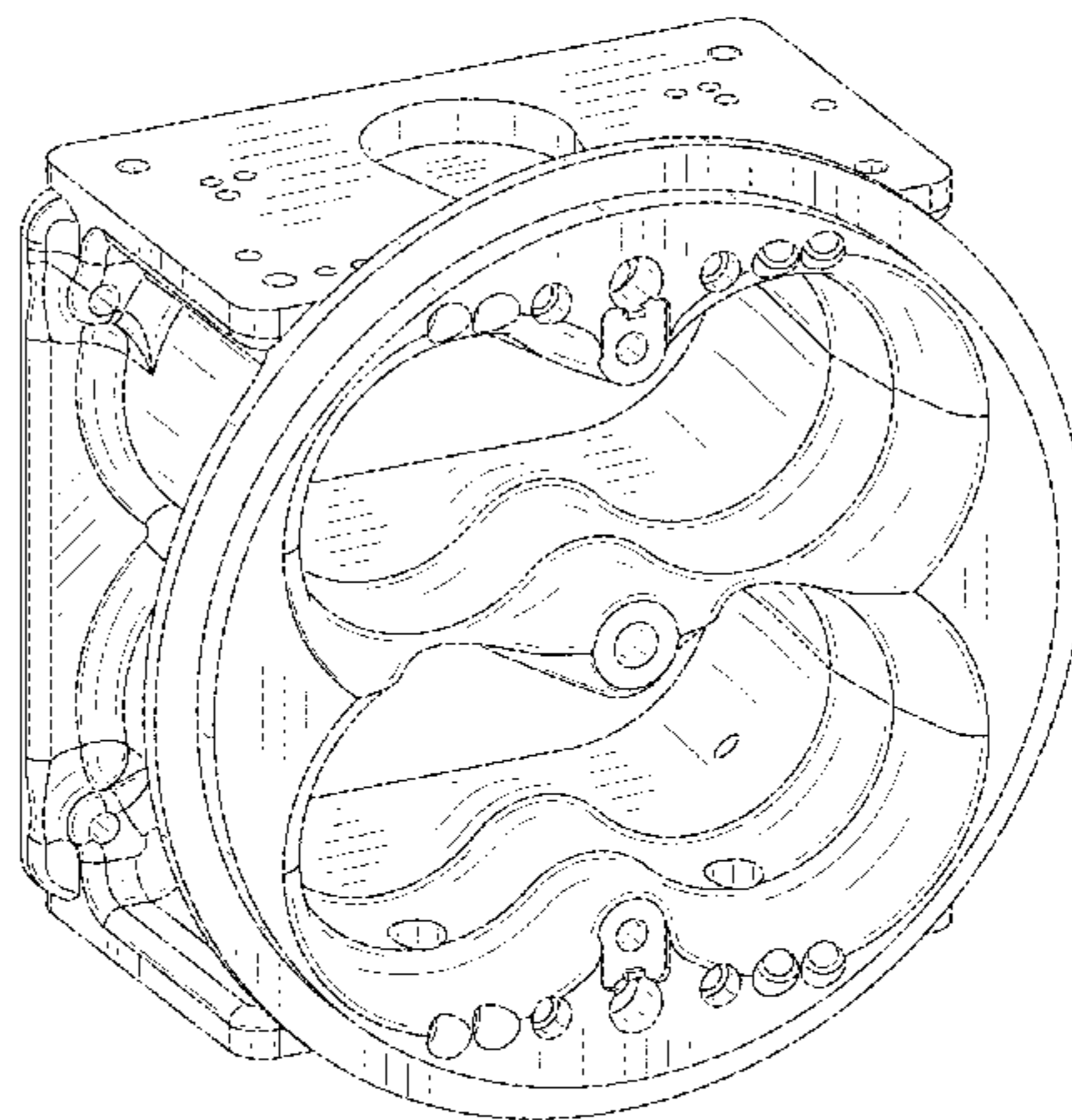
U.S. PATENT DOCUMENTS

- 5,667,730 A \* 9/1997 Barfield ..... F02M 1/16  
261/18.3
- 5,807,512 A \* 9/1998 Grant ..... F02M 9/14  
261/23.2
- 5,809,972 A \* 9/1998 Grant ..... F02M 71/00  
123/472
- 5,863,470 A \* 1/1999 Grant ..... F02M 9/14  
261/23.2
- 6,120,007 A \* 9/2000 Grant ..... F02M 9/14  
261/23.2
- D447,147 S \* 8/2001 Grant ..... D15/6
- 6,286,817 B1 \* 9/2001 Grant ..... F02M 5/12  
116/276
- D508,496 S \* 8/2005 Grant ..... D15/6
- 7,255,331 B2 \* 8/2007 Grant ..... F02D 9/1055  
261/23.2
- 7,398,962 B2 \* 7/2008 Cooper ..... F02M 5/12  
261/70

**DESCRIPTION**

FIG. 1 is a top front perspective view of a carburetor showing our new design.  
 FIG. 2 is a bottom rear perspective view of the carburetor illustrated in FIG. 1  
 FIG. 3 is a top plan view of the carburetor illustrated in FIG. 1.  
 FIG. 4 is a bottom plan view of the carburetor illustrated in FIG. 1.  
 FIG. 5 is a side elevation view of the carburetor illustrated in FIG. 1.  
 FIG. 6 is another side elevation view of the carburetor illustrated in FIG. 1.  
 FIG. 7 is a front elevation view of the carburetor illustrated in FIG. 1; and,  
 FIG. 8 is a rear elevation view of the carburetor illustrated in FIG. 1.

**1 Claim, 6 Drawing Sheets**



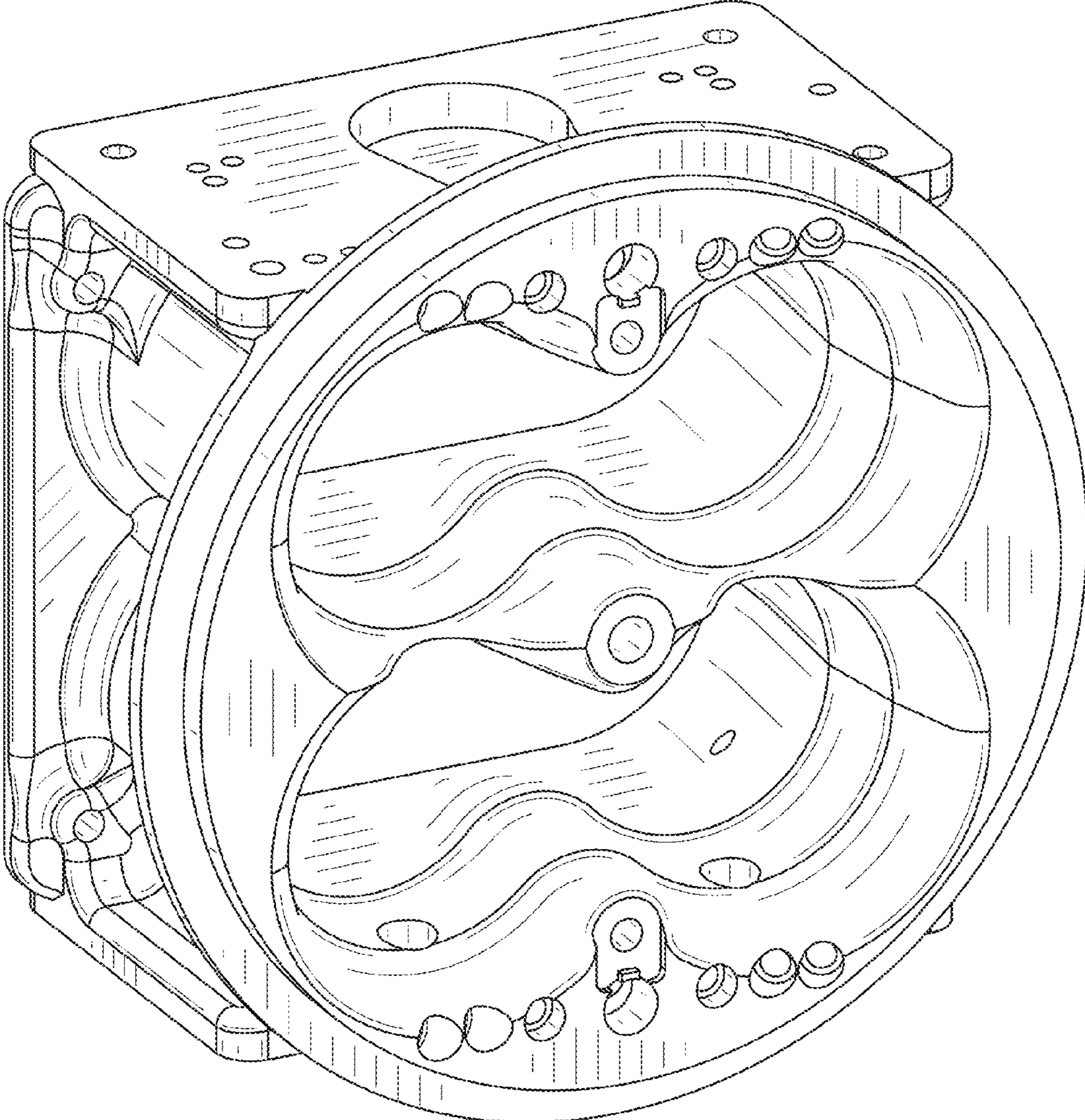


FIG. 1

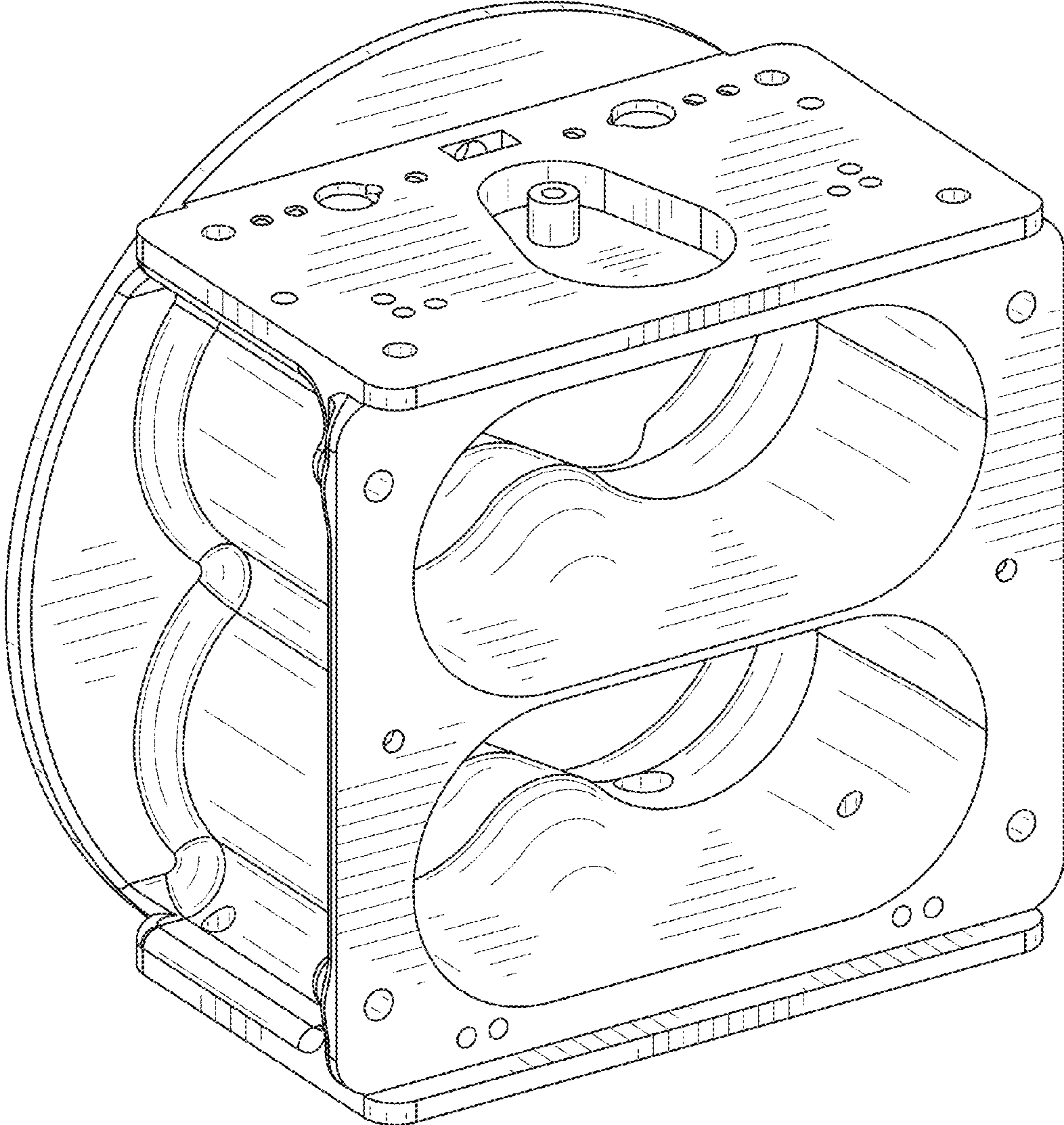


FIG. 2

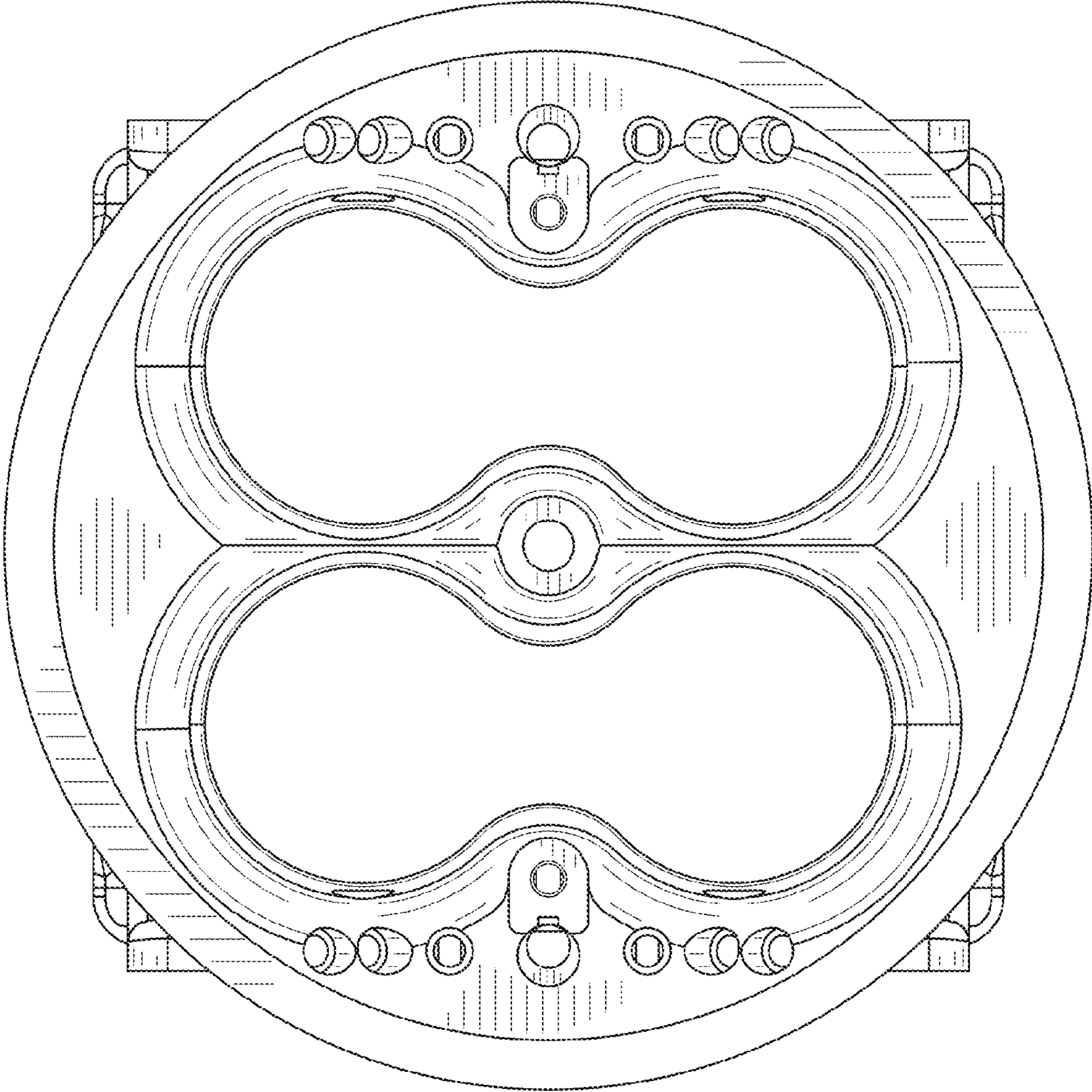


FIG. 3

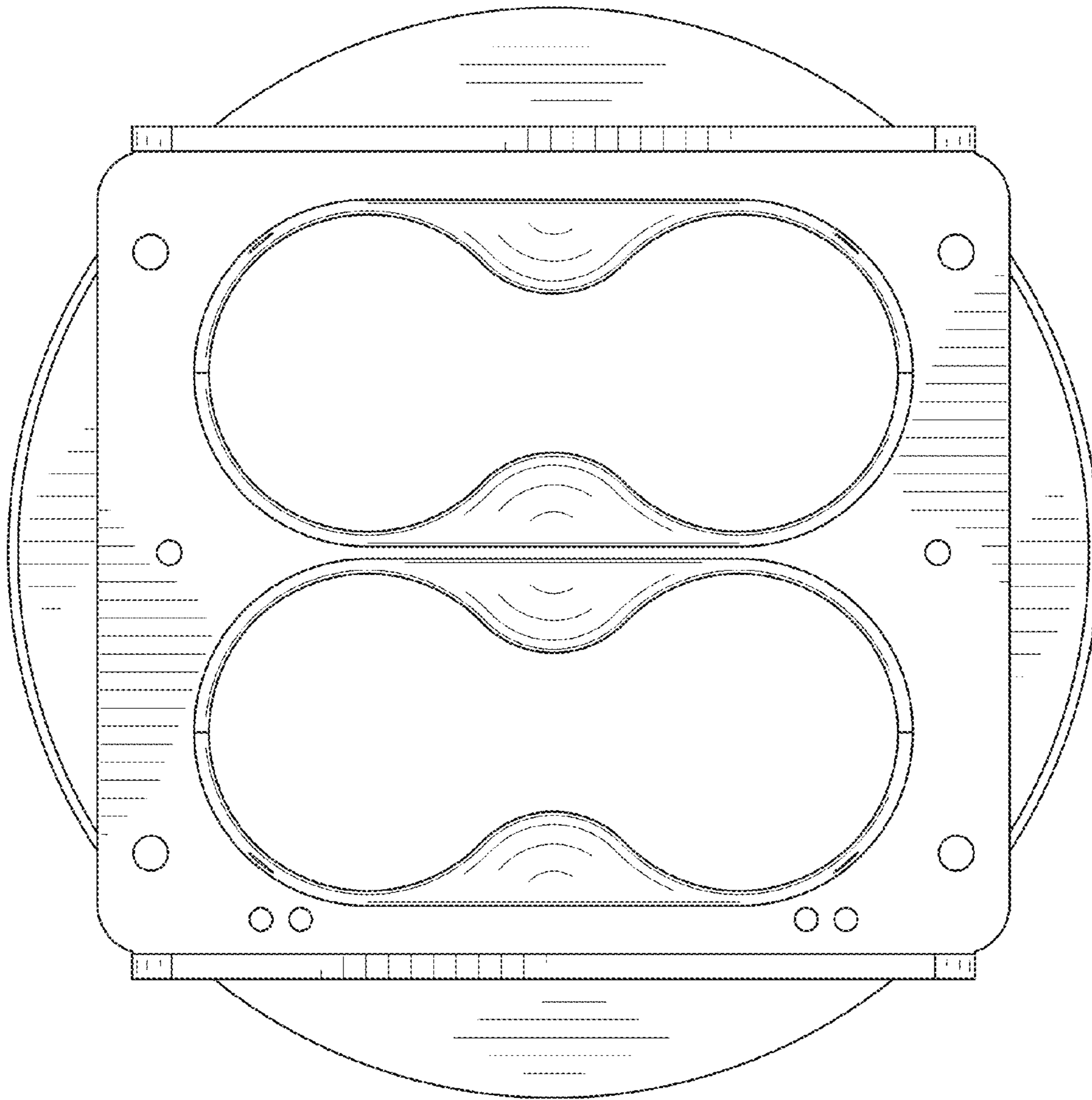


FIG. 4

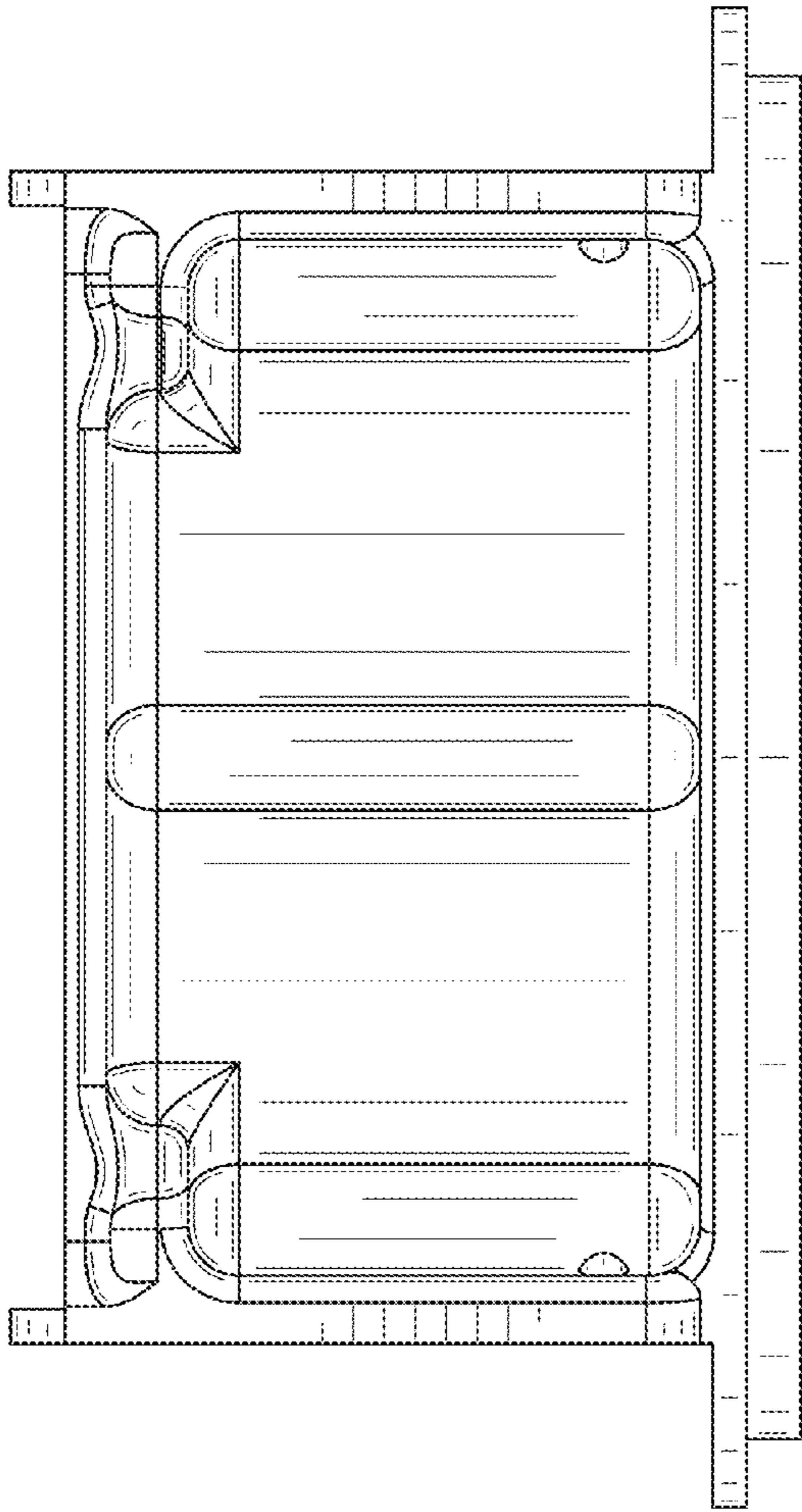


FIG. 5

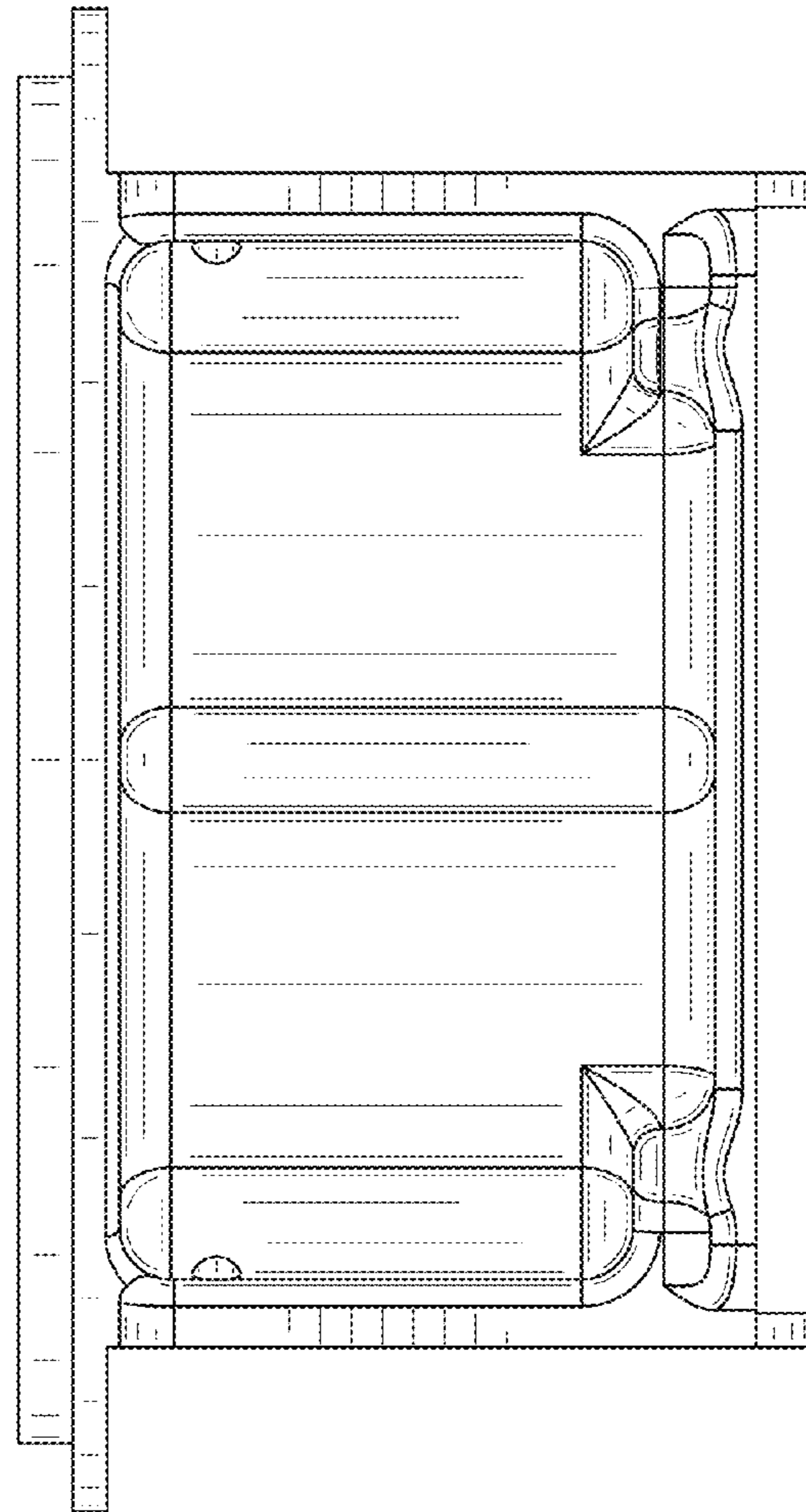


FIG. 6

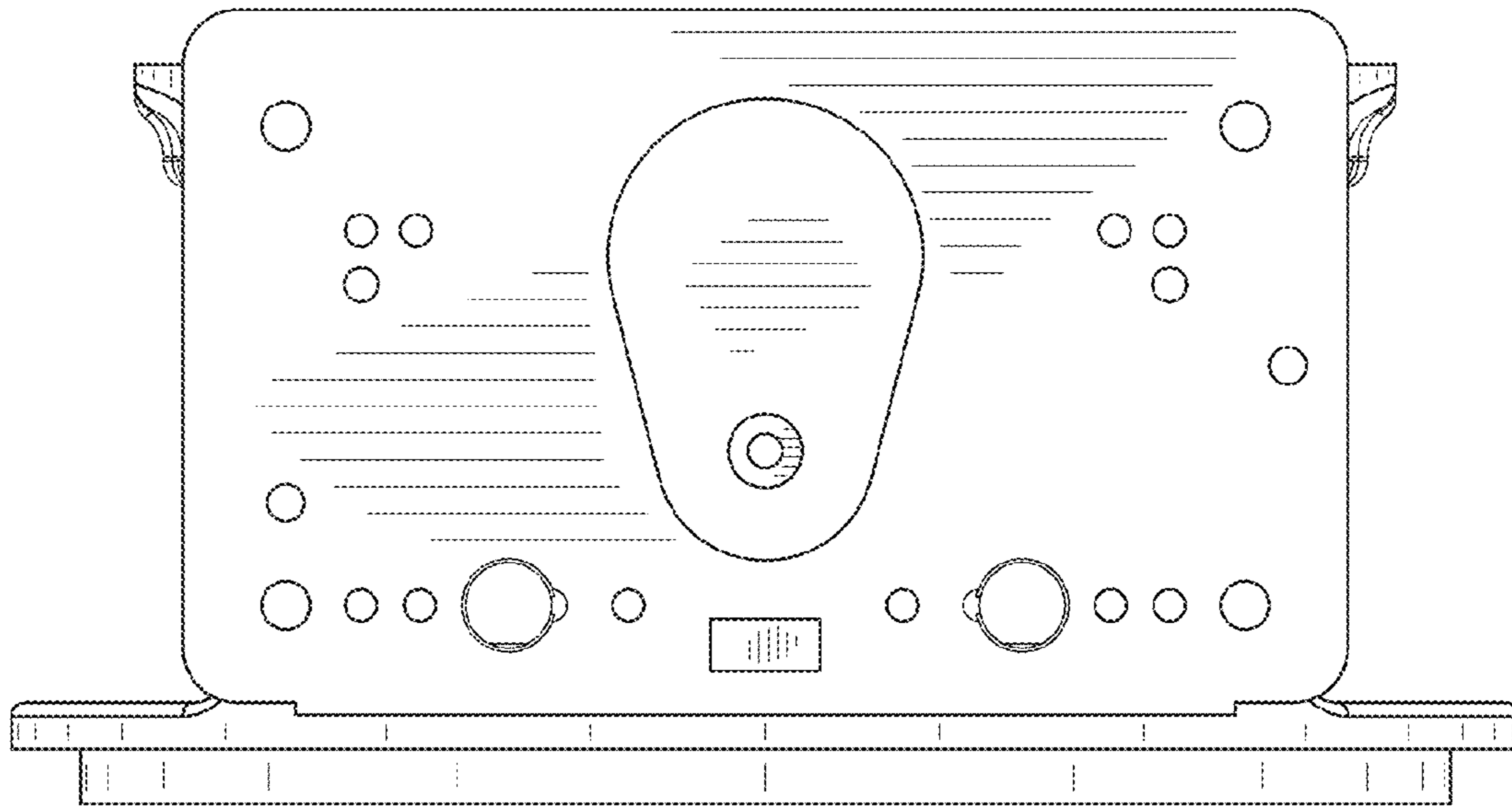


FIG. 7

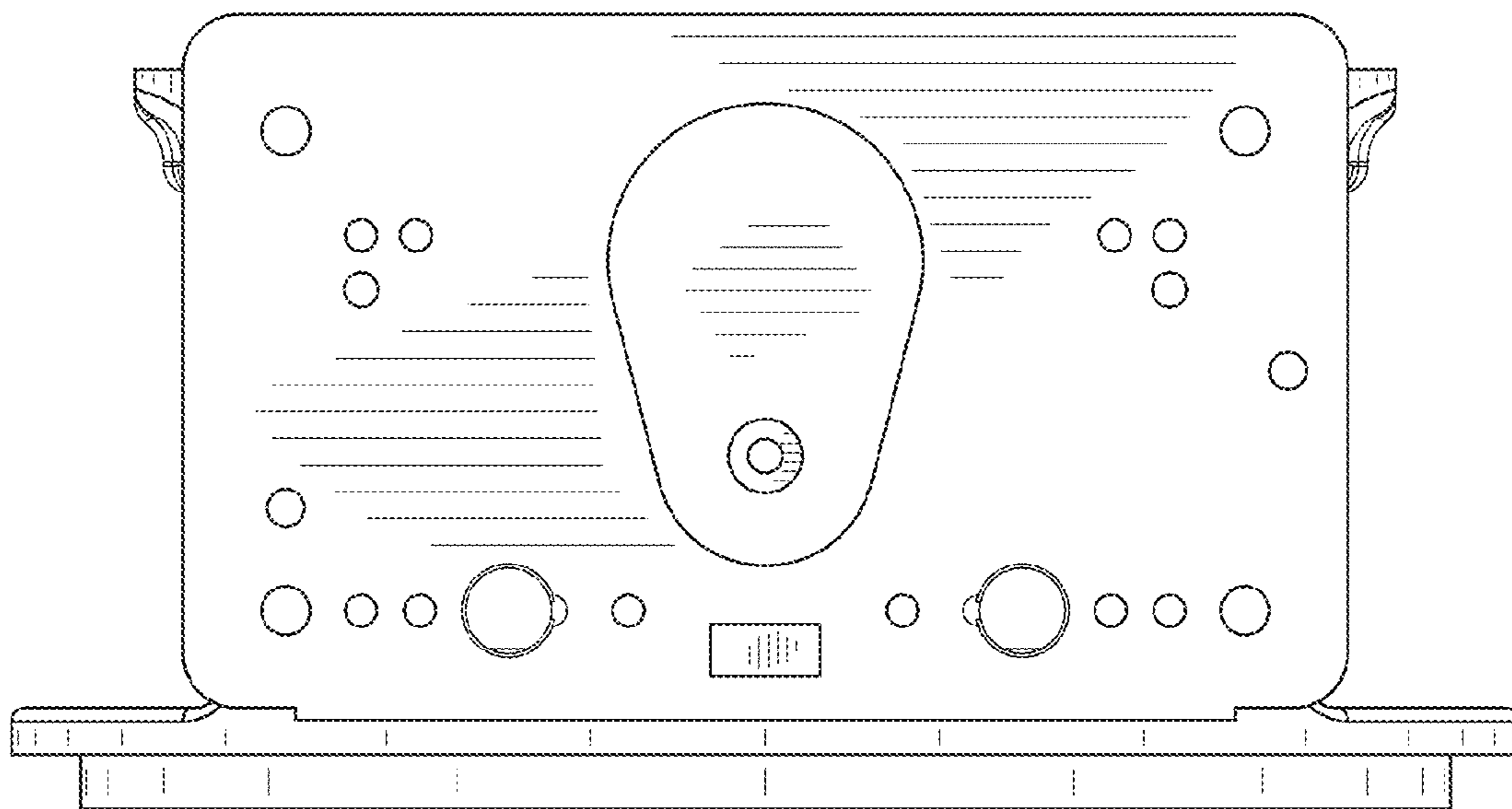


FIG. 8