



US00D748147S

(12) **United States Design Patent**
Capela et al.

(10) **Patent No.:** **US D748,147 S**
(45) **Date of Patent:** **** Jan. 26, 2016**

(54) **DISPLAY SCREEN OR PORTION THEREOF WITH ANIMATED GRAPHICAL USER INTERFACE**

D664,555 S * 7/2012 Gleasman D14/487
D664,561 S * 7/2012 Gleasman D14/488
D664,973 S * 8/2012 Gleasman D14/486
D664,984 S * 8/2012 Lee D14/488

(71) Applicant: **Apple Inc.**, Cupertino, CA (US)

(Continued)

(72) Inventors: **Jay Christopher Capela**, Santa Cruz, CA (US); **M. Frank Emanuel**, San Francisco, CA (US); **Charles Janusz Migos**, Millbrae, CA (US)

OTHER PUBLICATIONS

U.S. Appl. No. 29/354,643, filed Jan. 27, 2010.

(73) Assignee: **Apple Inc.**, Cupertino, CA (US)

Primary Examiner — Cathron Brooks

Assistant Examiner — Daniel J Domino

(**) Term: **14 Years**

(74) *Attorney, Agent, or Firm* — Sterne, Kessler, Goldstein & Fox P.L.L.C.

(21) Appl. No.: **29/468,732**

(57) **CLAIM**

The ornamental design for a display screen or portion thereof with animated graphical user interface, as shown and described.

(22) Filed: **Oct. 2, 2013**

Related U.S. Application Data

DESCRIPTION

(63) Continuation of application No. 29/457,359, filed on Jun. 10, 2013.

(51) **LOC (10) Cl.** **14-04**

(52) **U.S. Cl.**

USPC **D14/493**; D14/491; D14/494

(58) **Field of Classification Search**

USPC D14/485–495

CPC . G06F 3/048; G06F 3/04842; G06F 3/04847;

G06F 3/0481; G06F 17/211; G06F 17/212

See application file for complete search history.

FIG. 1 is a front view of a display screen or portion thereof with animated graphical user interface showing a first image in the sequence showing our new design;

FIG. 2 is a second image thereof;

FIG. 3 is a third image thereof;

FIG. 4 is a fourth image thereof;

FIG. 5 is a fifth image thereof;

FIG. 6 is a sixth image thereof;

FIG. 7 is a seventh image thereof; and,

FIG. 8 is an eighth image thereof.

The broken lines around FIGS. 1-8 show a display screen or portion thereof and form no part of the claimed design. The broken lines within FIGS. 1-8 and the area within them show portions of the animated graphical user interface that form no part of the claimed design.

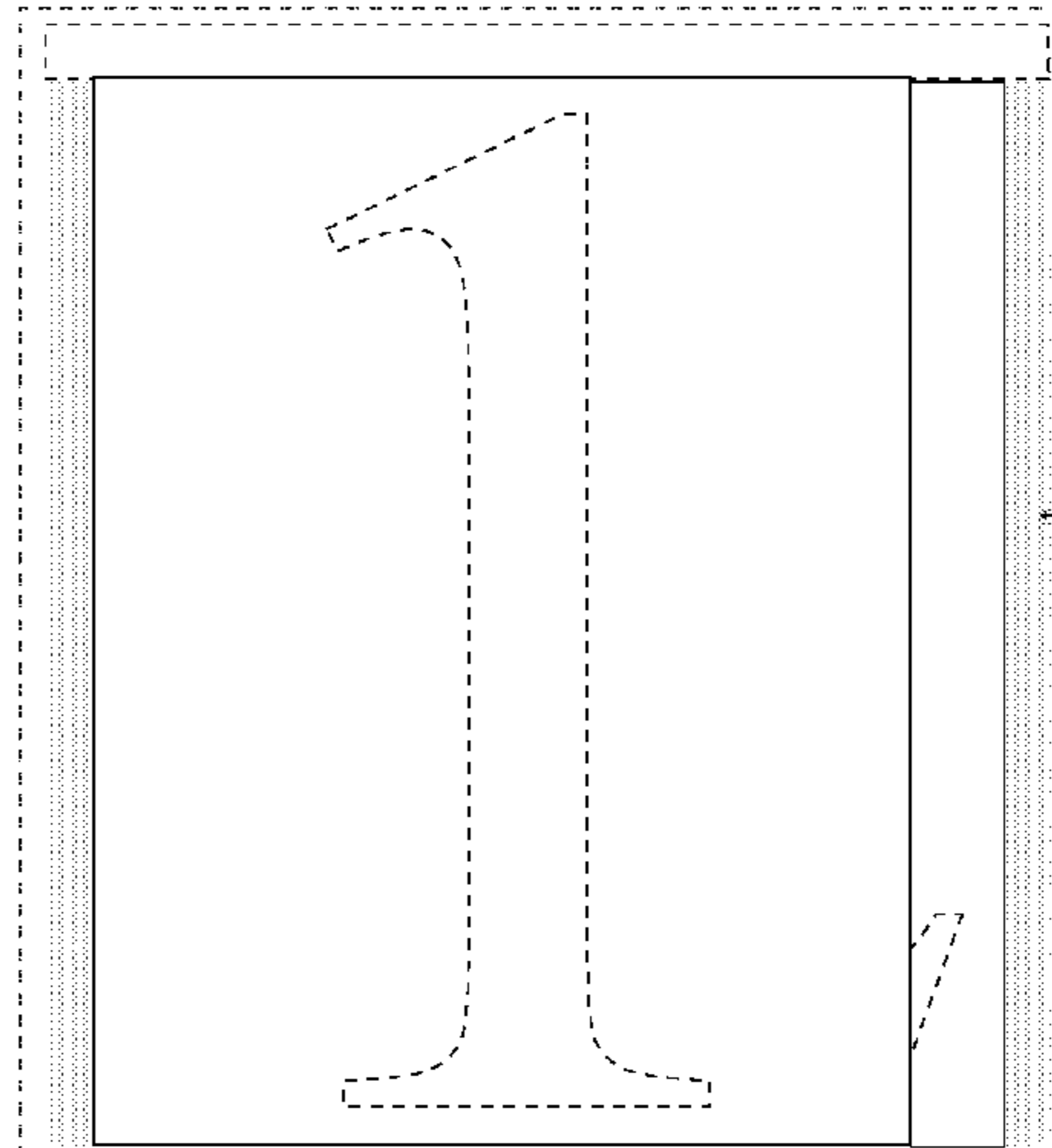
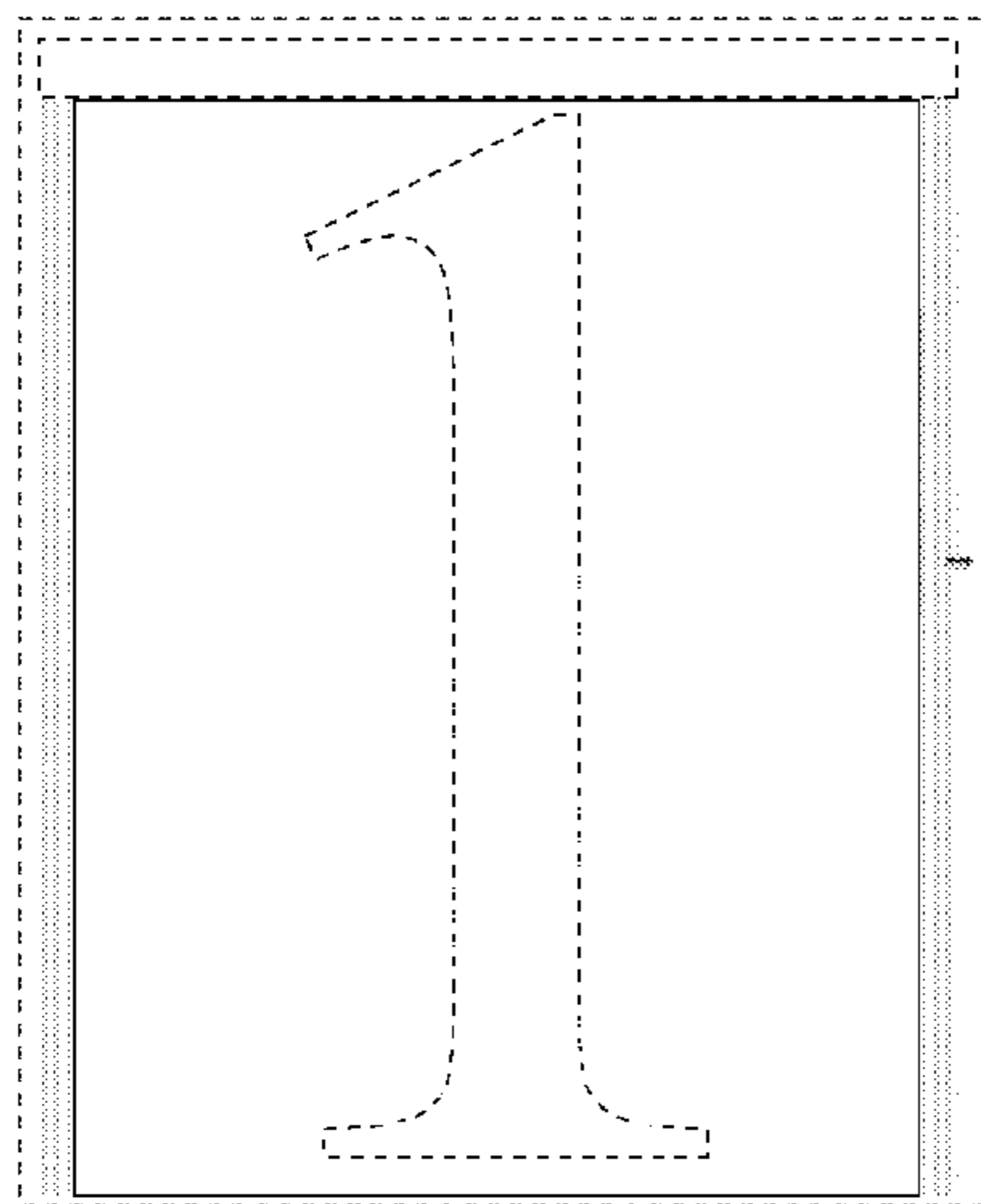
The appearance of the animated images sequentially transitions between the images shown in FIGS. 1-8. The process or period in which one image transitions to another forms no part of the claimed design.

(56) **References Cited**

U.S. PATENT DOCUMENTS

D555,663 S 11/2007 Nagata et al.
D569,871 S 5/2008 Anastasopoulos et al.
7,581,195 B2 8/2009 Sciammarella et al.
D640,274 S * 6/2011 Arnold D14/487
D648,735 S * 11/2011 Arnold D14/486
D658,676 S * 5/2012 Gleasman D14/488
D658,677 S * 5/2012 Gleasman D14/488
D661,702 S * 6/2012 Asai D14/488
D662,942 S * 7/2012 Trabona D14/488

1 Claim, 4 Drawing Sheets



(56)

References Cited

U.S. PATENT DOCUMENTS

D664,987 S *	8/2012	Gleasant	D14/488	D718,781 S *	12/2014	Arnold	D14/486
D664,988 S *	8/2012	Gleasant	D14/488	D720,770 S *	1/2015	Lacour	D14/487
D668,262 S *	10/2012	Gleasant	D14/488	D720,771 S *	1/2015	Lacour	D14/487
D668,671 S *	10/2012	Zaman	D14/488	D721,722 S *	1/2015	Lee	D14/486
D705,250 S *	5/2014	Khanna	D14/488	D725,670 S *	3/2015	Zhang	D14/488
D705,801 S *	5/2014	Kerr	D14/488	2004/0145603 A1	7/2004	Soares		
D705,802 S *	5/2014	Kerr	D14/488	2011/0107223 A1*	5/2011	Tilton	G06Q 10/10 715/730
					2012/0047463 A1	2/2012	Park et al.		

* cited by examiner

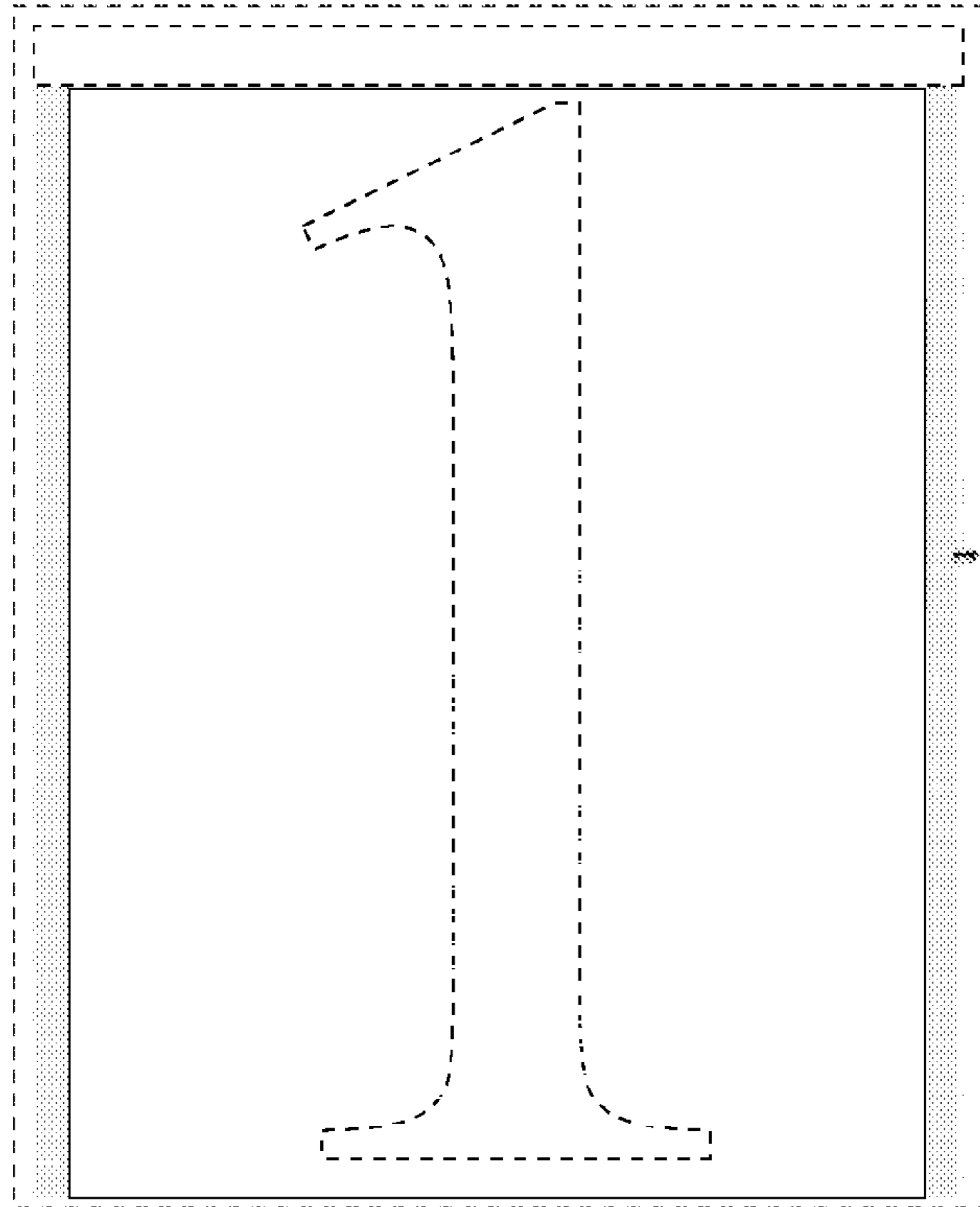


FIG. 1

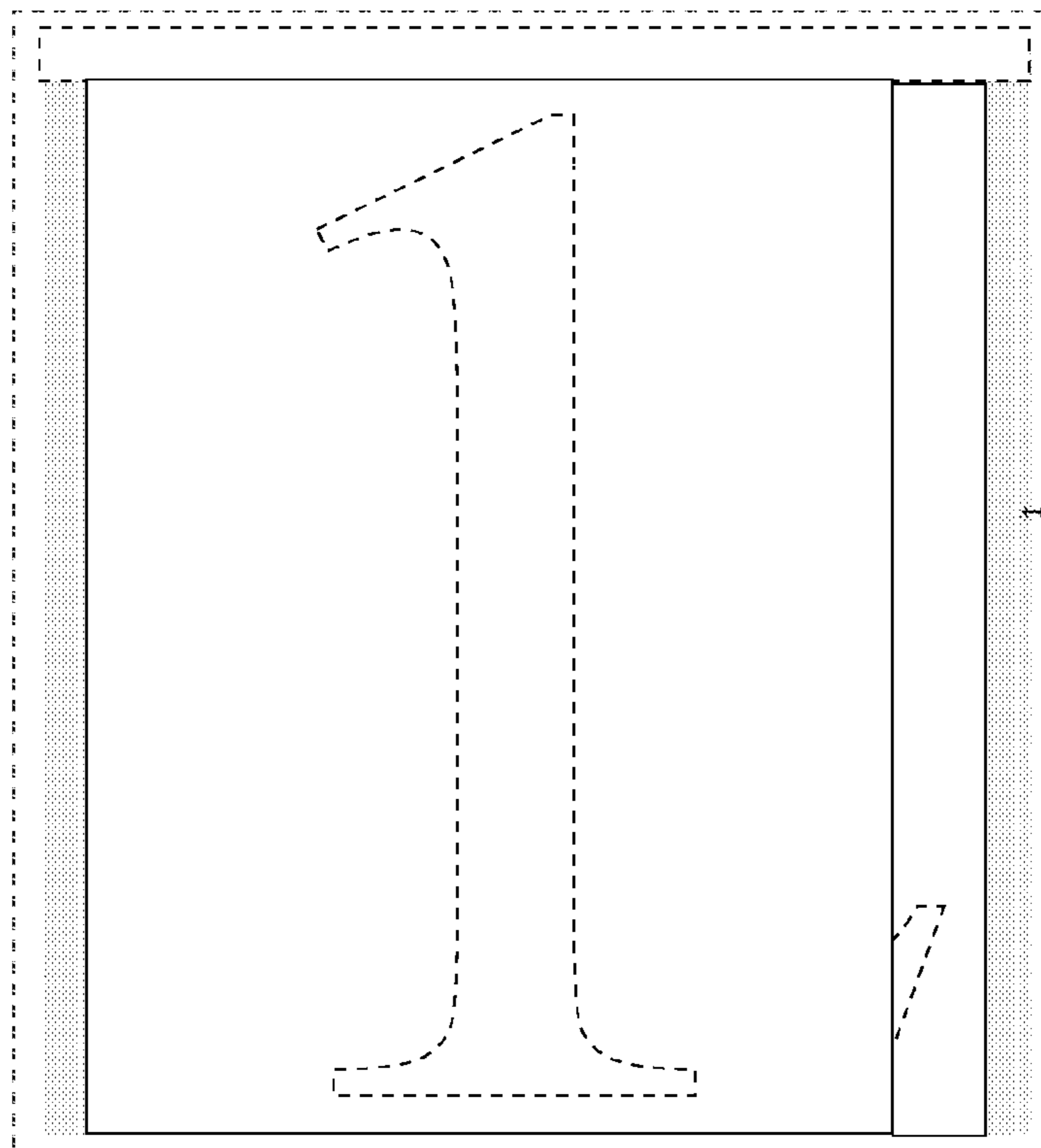


FIG. 2

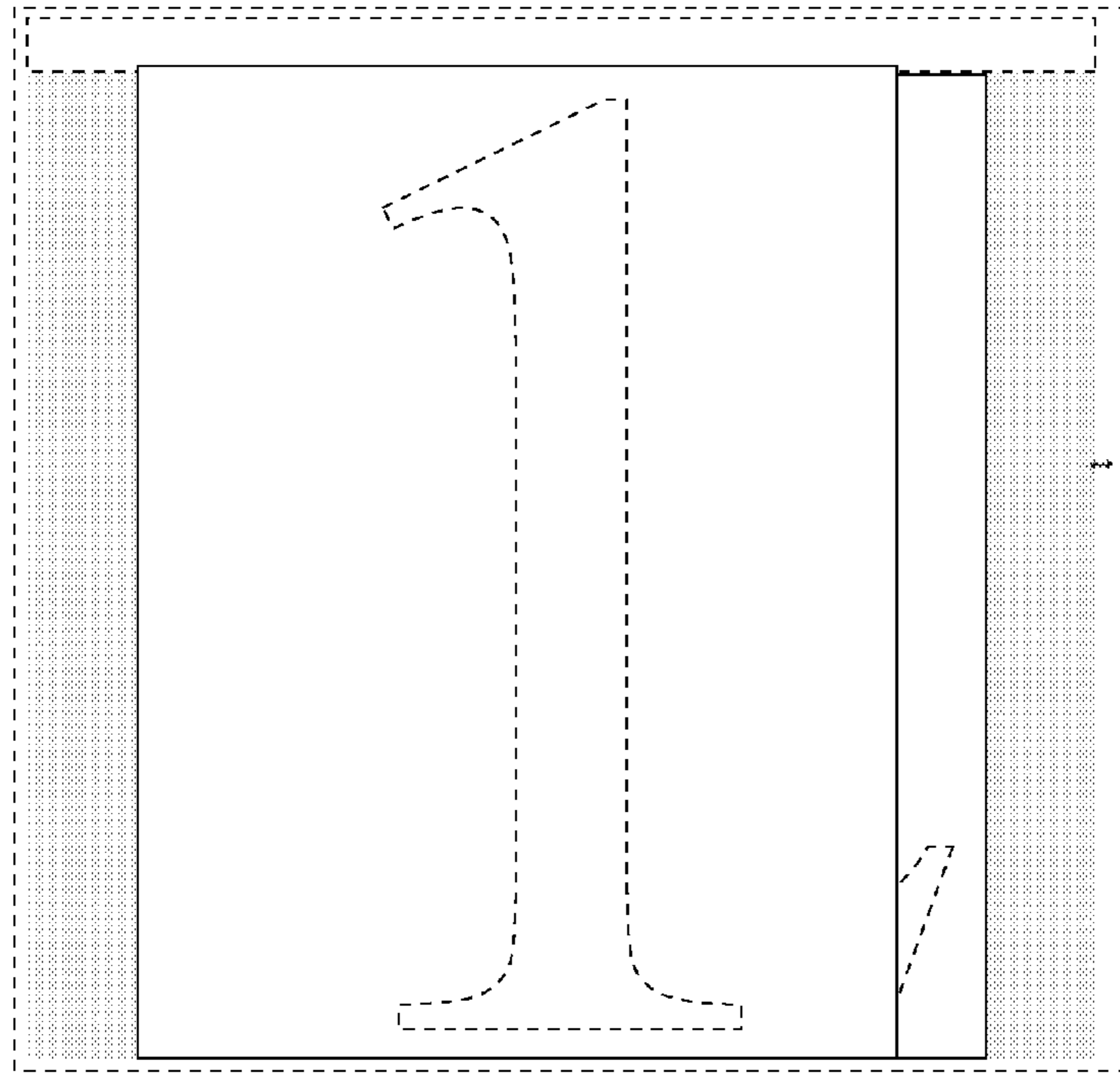


FIG. 3

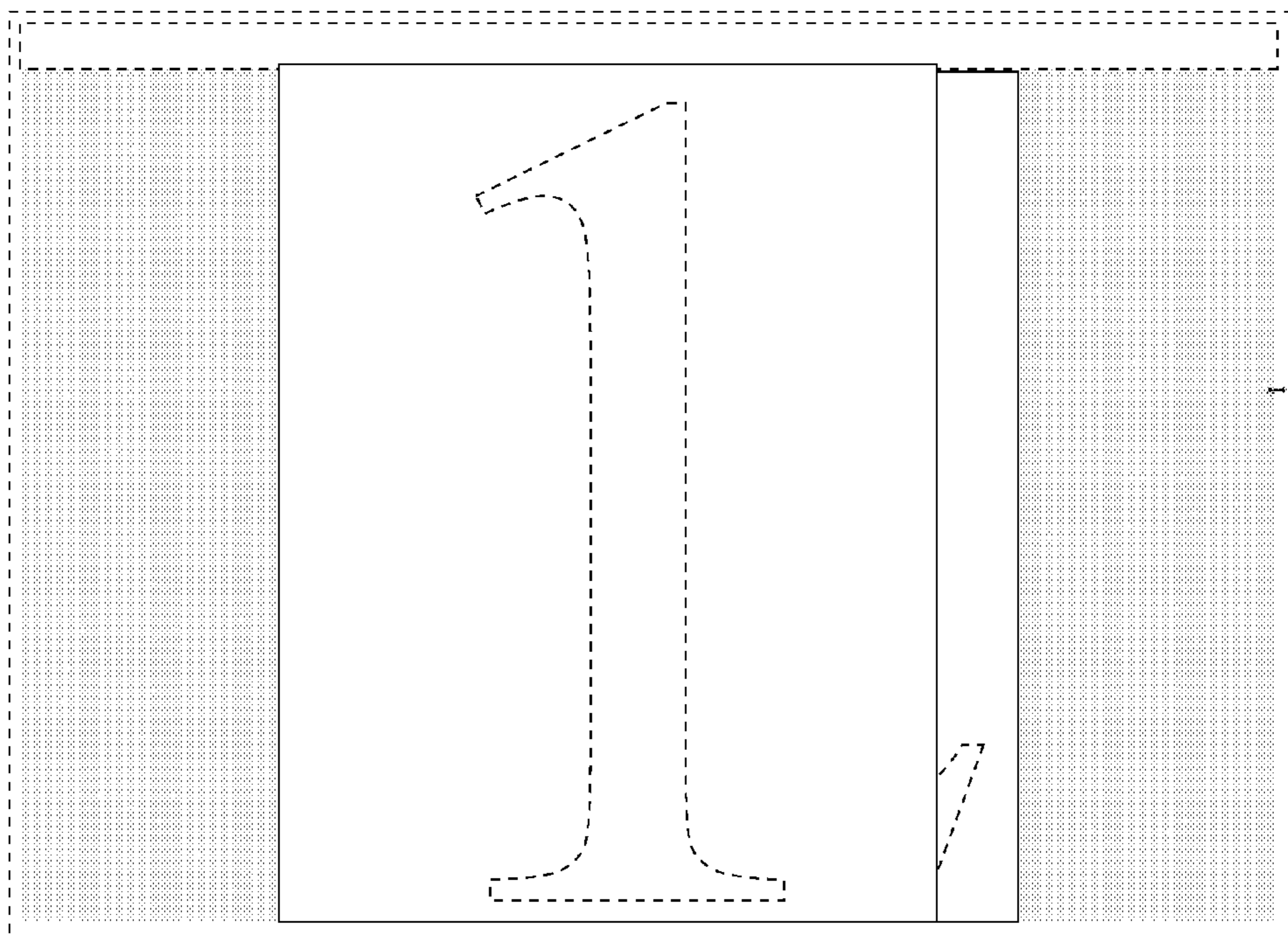


FIG. 4

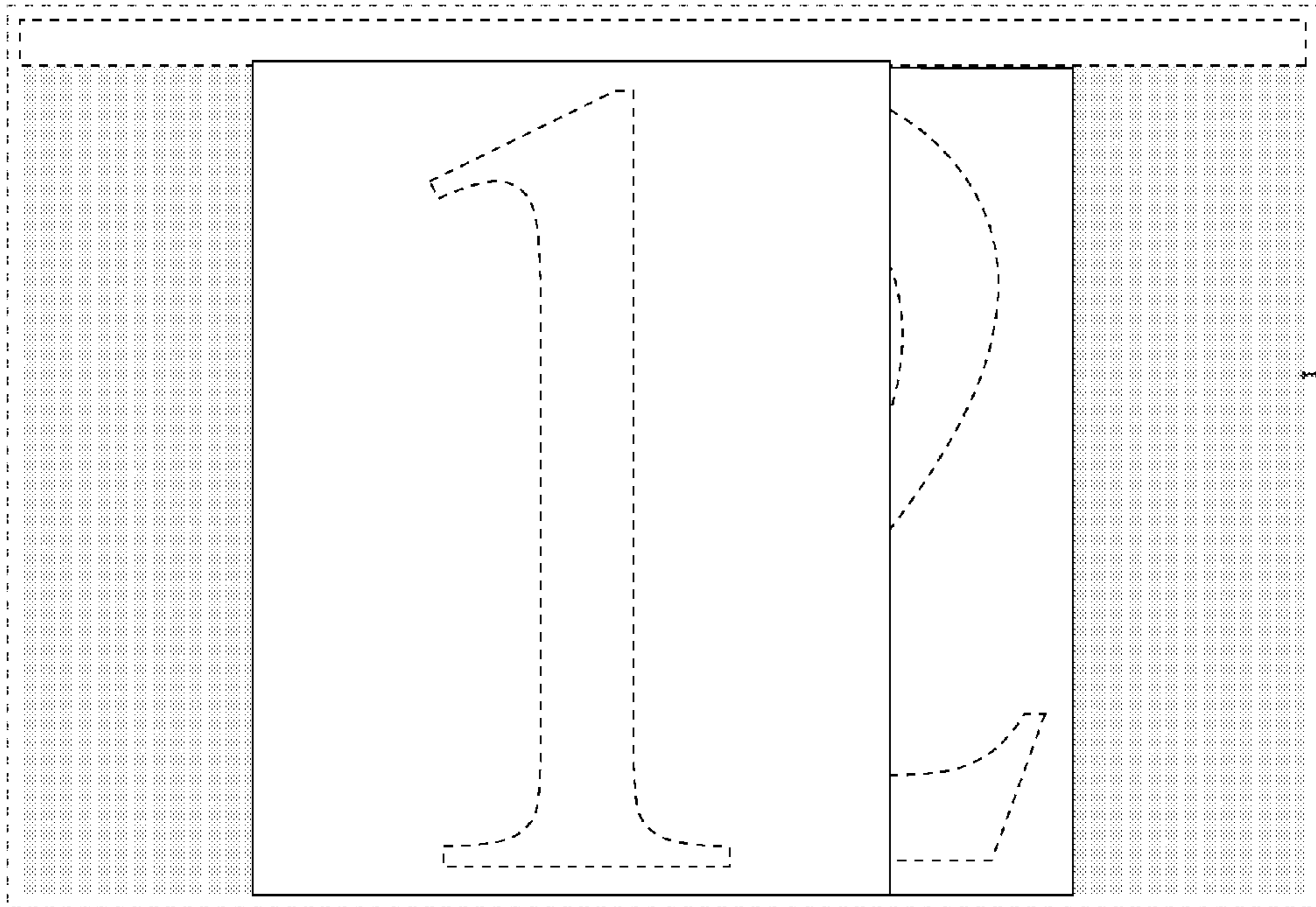


FIG. 5

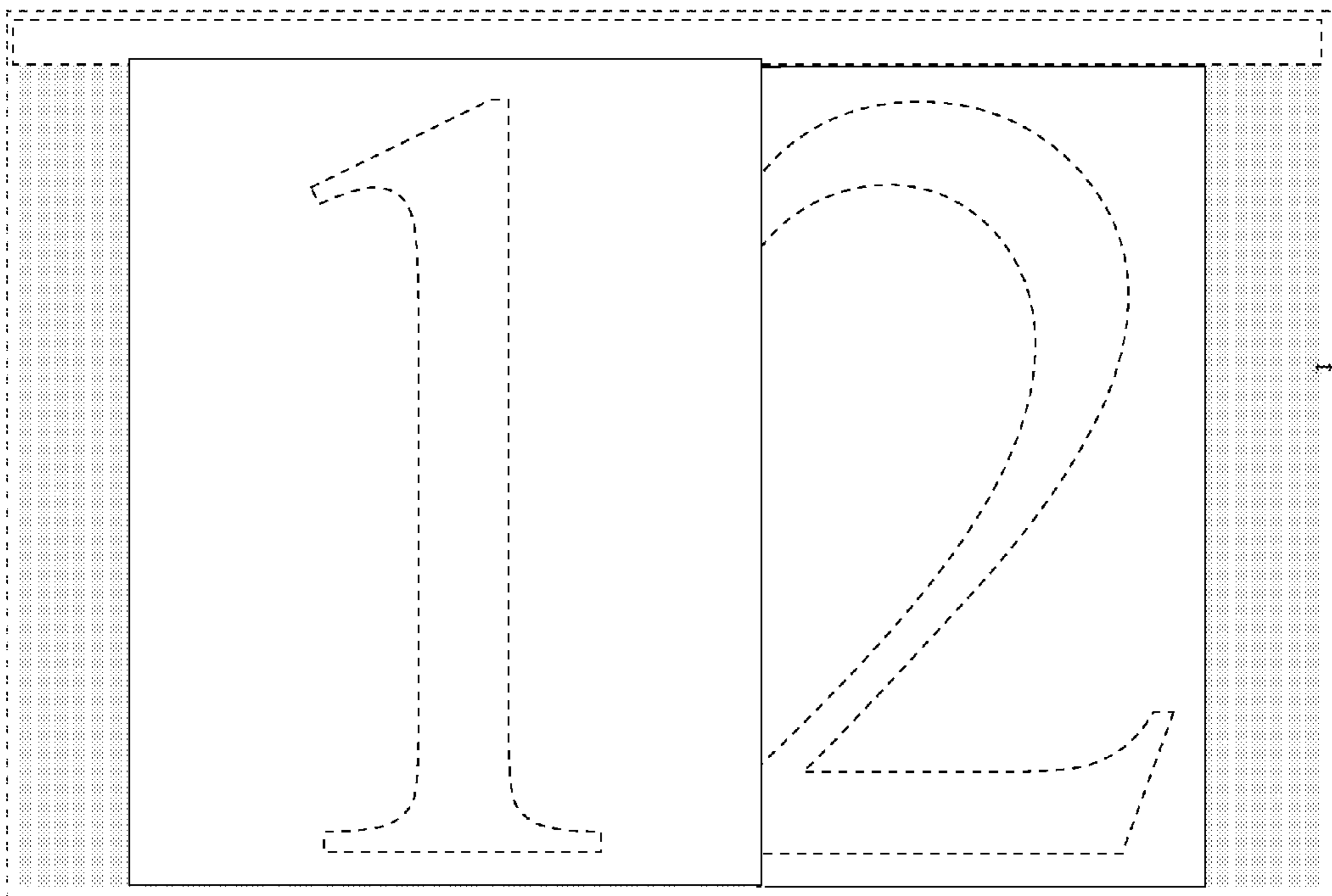


FIG. 6

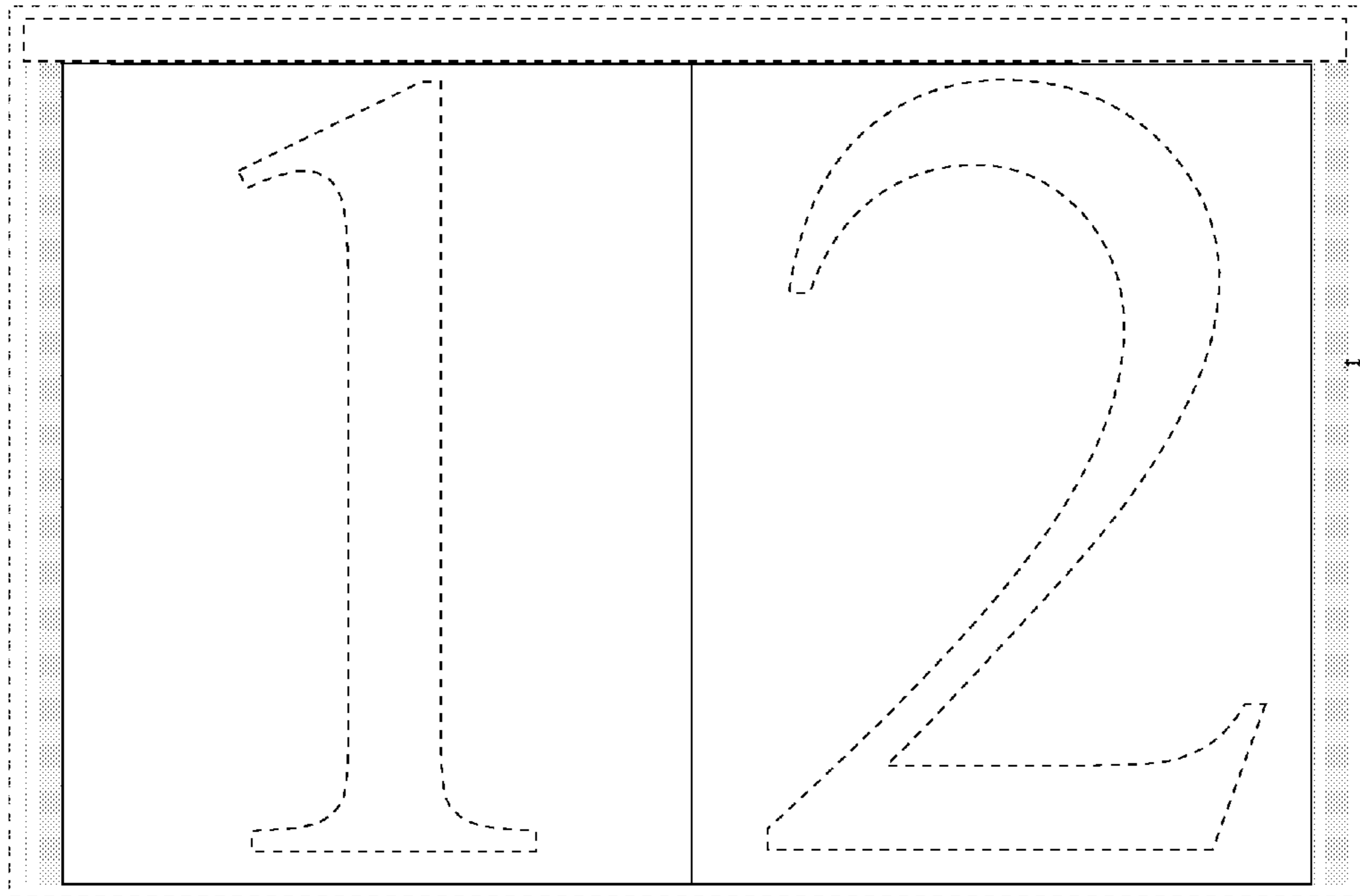


FIG. 7

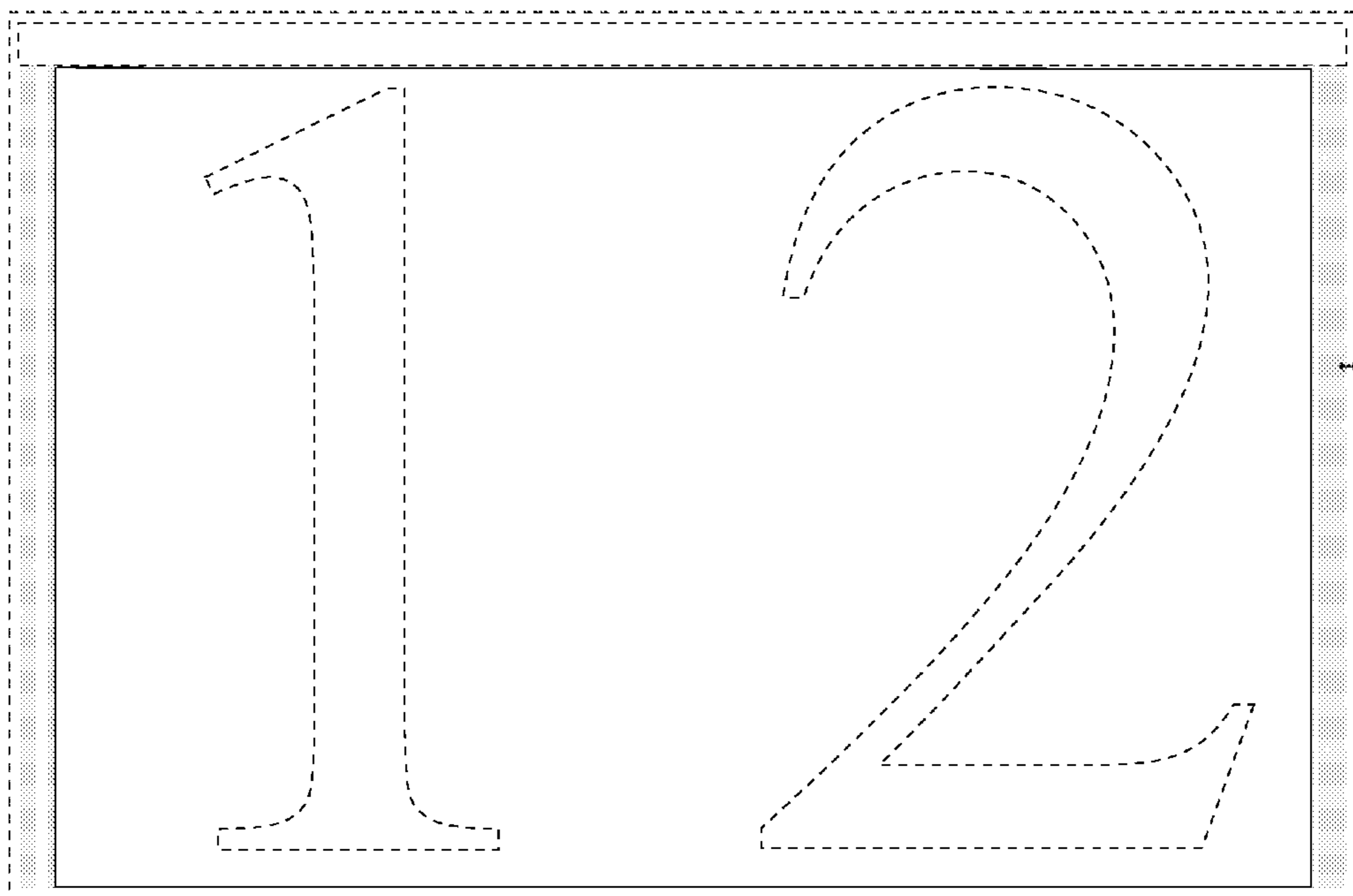


FIG. 8