



US00D748137S

(12) **United States Design Patent**
Merschon et al.

(10) **Patent No.:** **US D748,137 S**
(45) **Date of Patent:** **** Jan. 26, 2016**

(54) **PORTION OF A COMPUTER SCREEN WITH AN ICON**

(71) Applicant: **BIOSENSE WEBSTER (ISRAEL) LTD.**, Yokneam (IL)

(72) Inventors: **Asaf Merschon**, Karkur (IL); **Moshe Ingel**, Haifa (IL); **Liav Moshe Adi**, Haifa (IL); **Eduard Filipov**, Karmiel (IL)

(73) Assignee: **BIOSENSE WEBSTER (ISRAEL) LTD.**, Yokneam (IL)

(**) Term: **14 Years**

(21) Appl. No.: **29/464,664**

(22) Filed: **Aug. 20, 2013**

(51) **LOC (10) Cl.** **14-04**

(52) **U.S. Cl.**
USPC **D14/492**

(58) **Field of Classification Search**
USPC D14/485–495
CPC G06F 3/048; G06F 3/04817; G06F 3/0482
See application file for complete search history.

(56) **References Cited**

U.S. PATENT DOCUMENTS

6,240,308	B1 *	5/2001	Hardy et al.	600/407
D465,788	S *	11/2002	Boehler et al.	D14/486
D467,253	S *	12/2002	Platz	D14/495
D483,381	S *	12/2003	Platz	D14/495
7,035,690	B2 *	4/2006	Goetz	607/46
D561,193	S *	2/2008	O'Mullan et al.	D14/489
D563,983	S *	3/2008	Hosokawa et al.	D14/489
7,516,417	B2 *	4/2009	Amador et al.	715/788
D608,788	S *	1/2010	Meziere	D14/488
D619,609	S *	7/2010	Meziere	D14/486
7,822,627	B2 *	10/2010	St. Martin	705/3
D671,954	S *	12/2012	Wojcik et al.	D14/486
8,554,307	B2 *	10/2013	Razzaque et al.	600/424
8,560,968	B1 *	10/2013	Nair	715/839
D692,916	S *	11/2013	Granchi et al.	D14/489
8,585,598	B2 *	11/2013	Razzaque et al.	600/439
D701,237	S *	3/2014	Cho	D14/488

8,750,568	B2 *	6/2014	Frank et al.	382/103
D714,336	S *	9/2014	Cojuangco et al.	D14/486
8,874,191	B2 *	10/2014	Requardt	600/411
8,913,804	B2 *	12/2014	Blum et al.	382/128
9,081,488	B2 *	7/2015	Soederstroem	
2007/0049817	A1 *	3/2007	Preiss et al.	600/407
2008/0098333	A1 *	4/2008	Champion et al.	715/849
2008/0123922	A1 *	5/2008	Gielen et al.	382/131
2008/0177782	A1 *	7/2008	Poston et al.	707/102
2008/0221423	A1 *	9/2008	Khoury	600/374
2009/0281596	A1 *	11/2009	King et al.	607/46
2009/0287271	A1 *	11/2009	Blum et al.	607/45
2010/0010646	A1 *	1/2010	Drew et al.	700/86
2011/0137156	A1 *	6/2011	Razzaque et al.	600/424
2012/0081362	A1 *	4/2012	Kiraly et al.	345/419
2013/0274562	A1 *	10/2013	Ghaffari et al.	600/301
2014/0104281	A1 *	4/2014	Song et al.	345/440
2014/0180062	A1 *	6/2014	Amit	600/424
2015/0045647	A1 *	2/2015	Katz	600/409
2015/0057529	A1 *	2/2015	Merschon et al.	600/424
2015/0065851	A1 *	3/2015	Ludwin et al.	600/409
2015/0073246	A1 *	3/2015	Chmiel et al.	600/374
2015/0119686	A1 *	4/2015	Govari et al.	600/409

* cited by examiner

Primary Examiner — Kevin Rudzinski

(74) *Attorney, Agent, or Firm* — Notaro, Michalos & Zaccaria P.C.

(57) **CLAIM**

The ornamental design for a portion of a computer screen with an icon, as shown and described.

DESCRIPTION

FIG. 1 is a front elevational view of a first state for an animated icon for a computer display serving as an indicator of a status of a cardiac catheter in a medical application;

FIG. 2 is a front elevational view of a second state for an animated icon for a computer display serving as an indicator of a status of a cardiac catheter in a medical application;

FIG. 3 is a front elevational view of a third state for an animated icon for a computer display serving as an indicator of a status of a cardiac catheter in a medical application;

FIG. 4 is a front elevational view of a fourth state for an animated icon for a computer display serving as an indicator of a status of a cardiac catheter in a medical application;

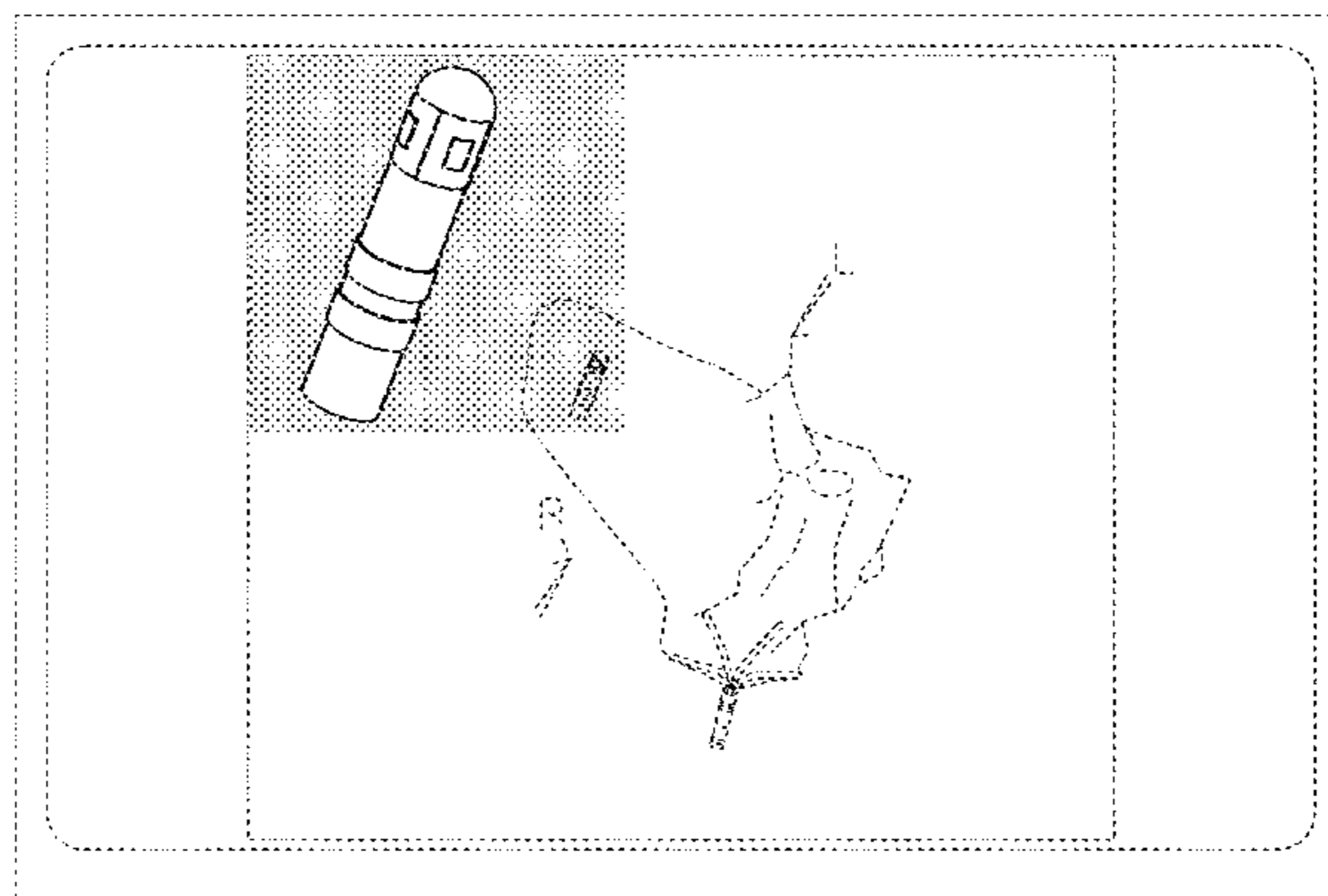


FIG. 5 is a front elevational view of a fifth state for an animated icon for a computer display serving as an indicator of a status of a cardiac catheter in a medical application;
FIG. 6 is a front elevational view of a sixth state for an animated icon for a computer display serving as an indicator of a status of a cardiac catheter in a medical application;
FIG. 7 is a front elevational view of a seventh state for an animated icon for a computer display serving as an indicator of a status of a cardiac catheter in a medical application;
FIG. 8 is a front elevational view of an eighth state for an animated icon for a computer display serving as an indicator of a status of a cardiac catheter in a medical application;
FIG. 9 is a front elevational view of a ninth state for an animated icon for a computer display serving as an indicator of a status of a cardiac catheter in a medical application;
FIG. 10 is a front elevational view of a tenth state for an animated icon for a computer display serving as an indicator of a status of a cardiac catheter in a medical application;
FIG. 11 is a front elevational view of an eleventh state for an animated icon for a computer display serving as an indicator of a status of a cardiac catheter in a medical application;
FIG. 12 is a front elevational view of a twelfth state for an animated icon for a computer display serving as an indicator of a status of a cardiac catheter in a medical application;
FIG. 13 is a front elevational view of a thirteenth state for an animated icon for a computer display serving as an indicator of a status of a cardiac catheter in a medical application;

FIG. 14 is a front elevational view of a fourteenth state for an animated icon for a computer display serving as an indicator of a status of a cardiac catheter in a medical application;
FIG. 15 is a front elevational view of a fifteenth state for an animated icon for a computer display serving as an indicator of a status of a cardiac catheter in a medical application;
FIG. 16 is a front elevational view of a sixteenth state for an animated icon for a computer display serving as an indicator of a status of a cardiac catheter in a medical application;
FIG. 17 is a front elevational view of a seventeenth state for an animated icon for a computer display serving as an indicator of a status of a cardiac catheter in a medical application; and,
FIG. 18 is a front elevational view of an eighteenth state for an animated icon for a computer display serving as an indicator of a status of a cardiac catheter in a medical application.
The broken lines showing the computer screen and portions of the icon are included to depict environmental subject matter only and form no part of the claimed design. The top, bottom, back, left and right side views are not shown and form no part of the claimed design.
The subject matter in this patent includes a process or period in which an image changes into another image. This process or period forms no part of the claimed design.

1 Claim, 9 Drawing Sheets

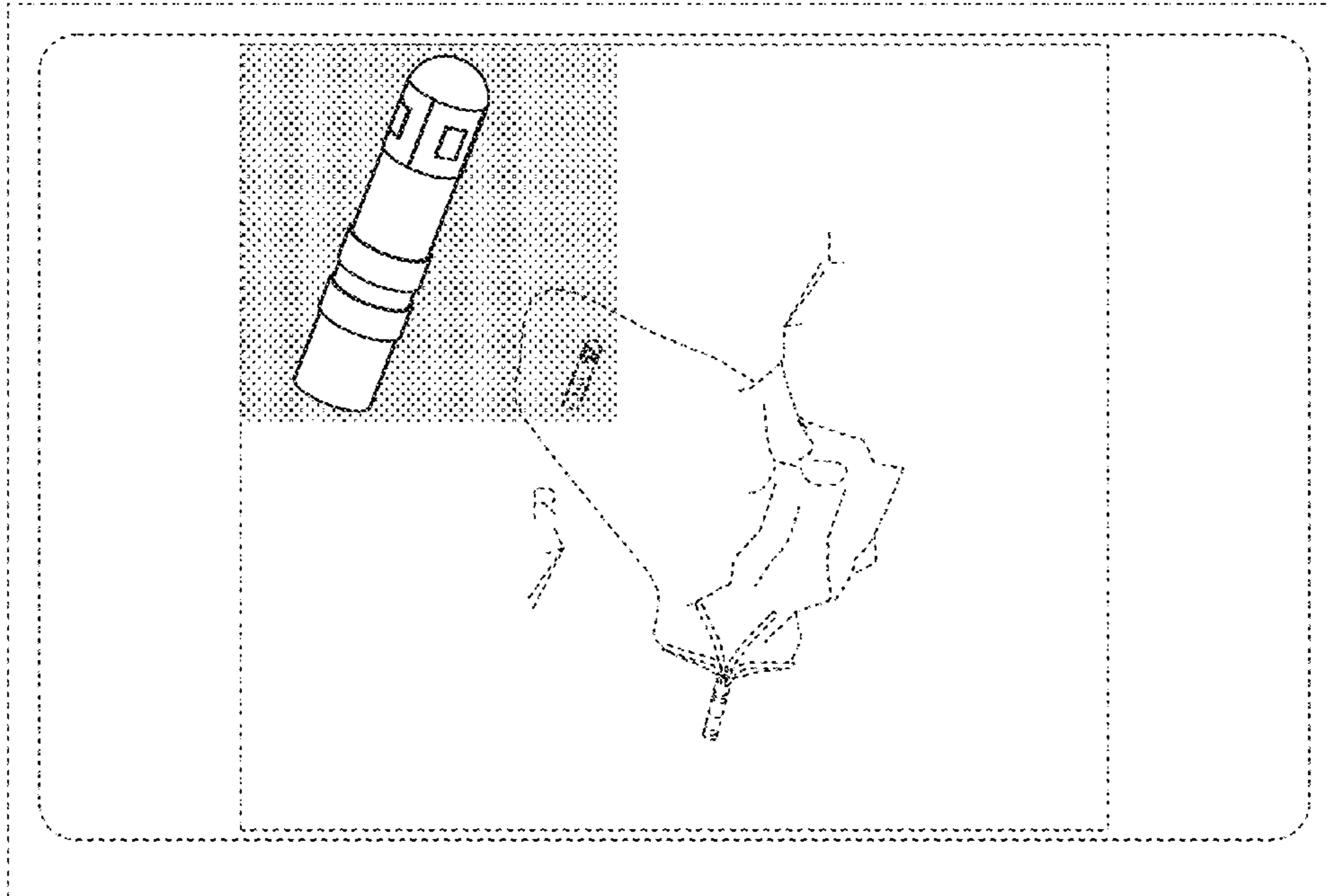


Fig. 1

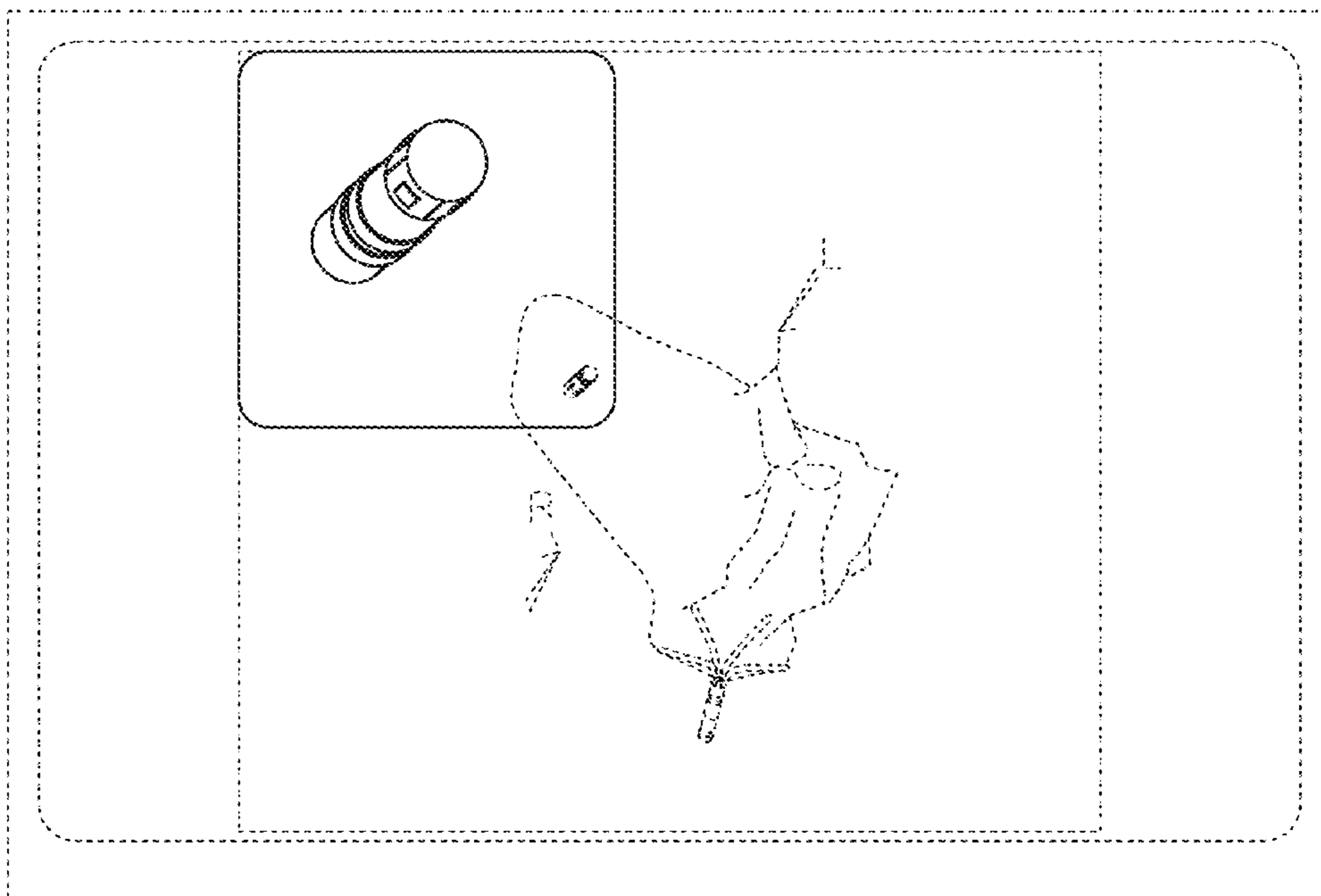


Fig. 2

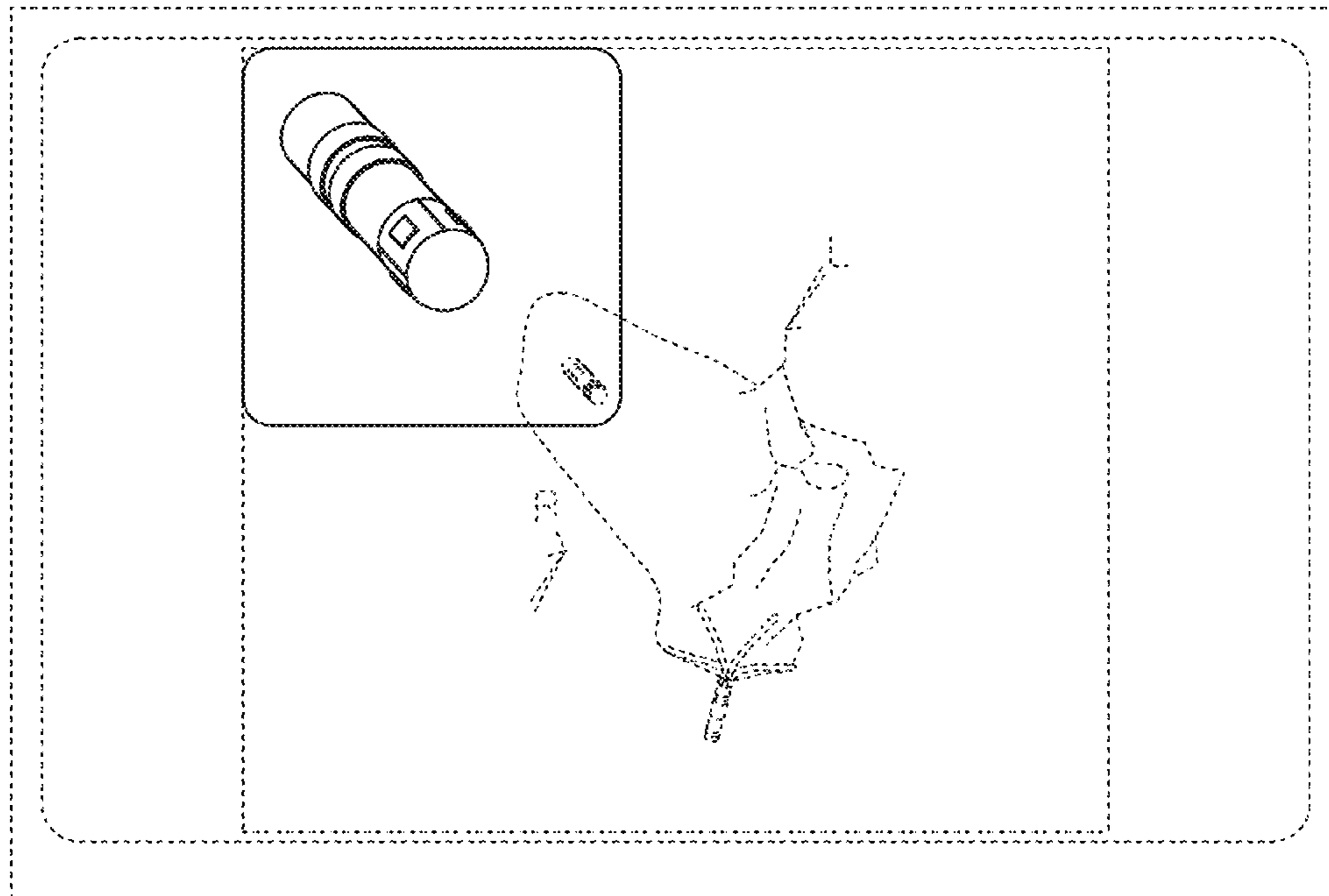


Fig. 3

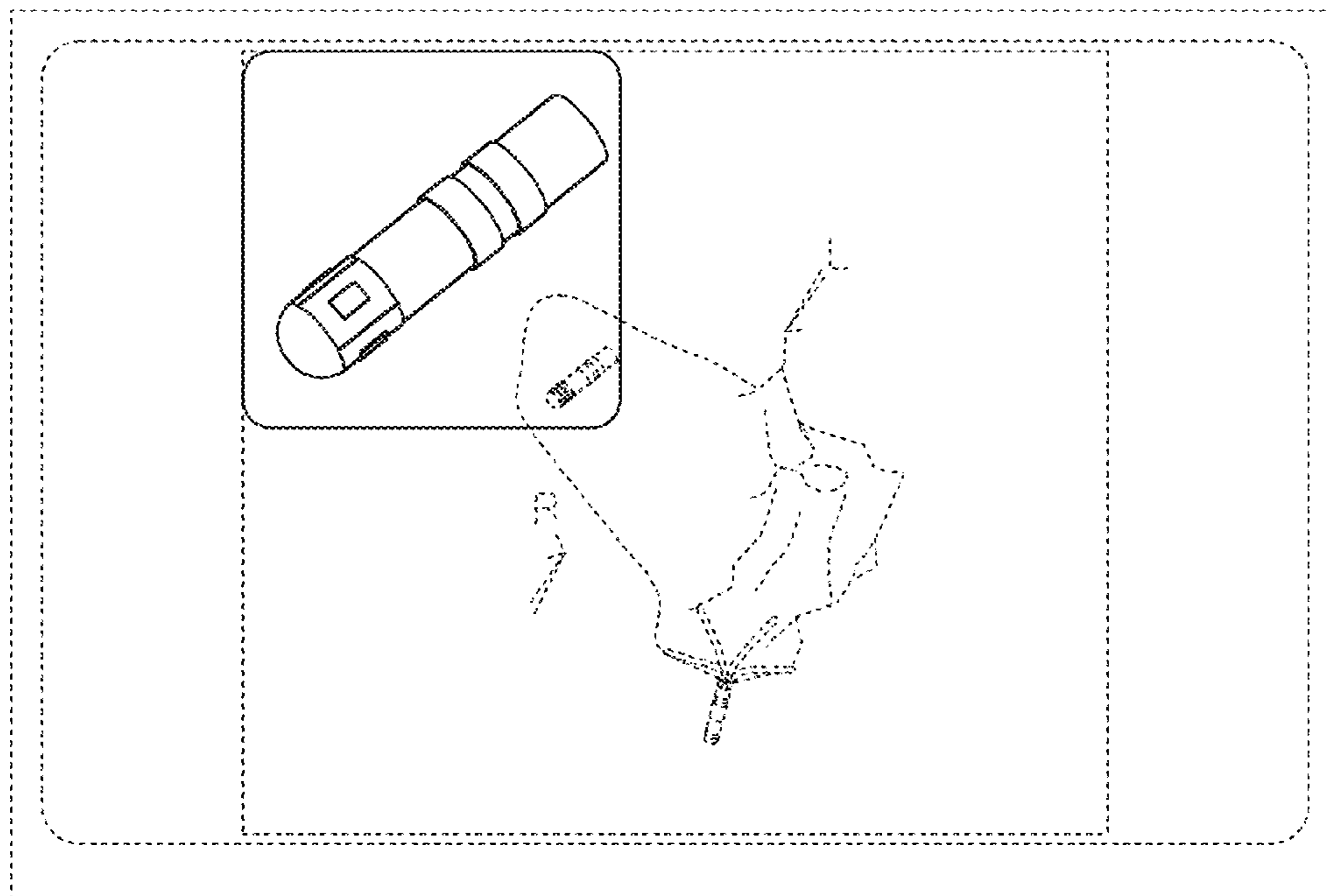


Fig. 4

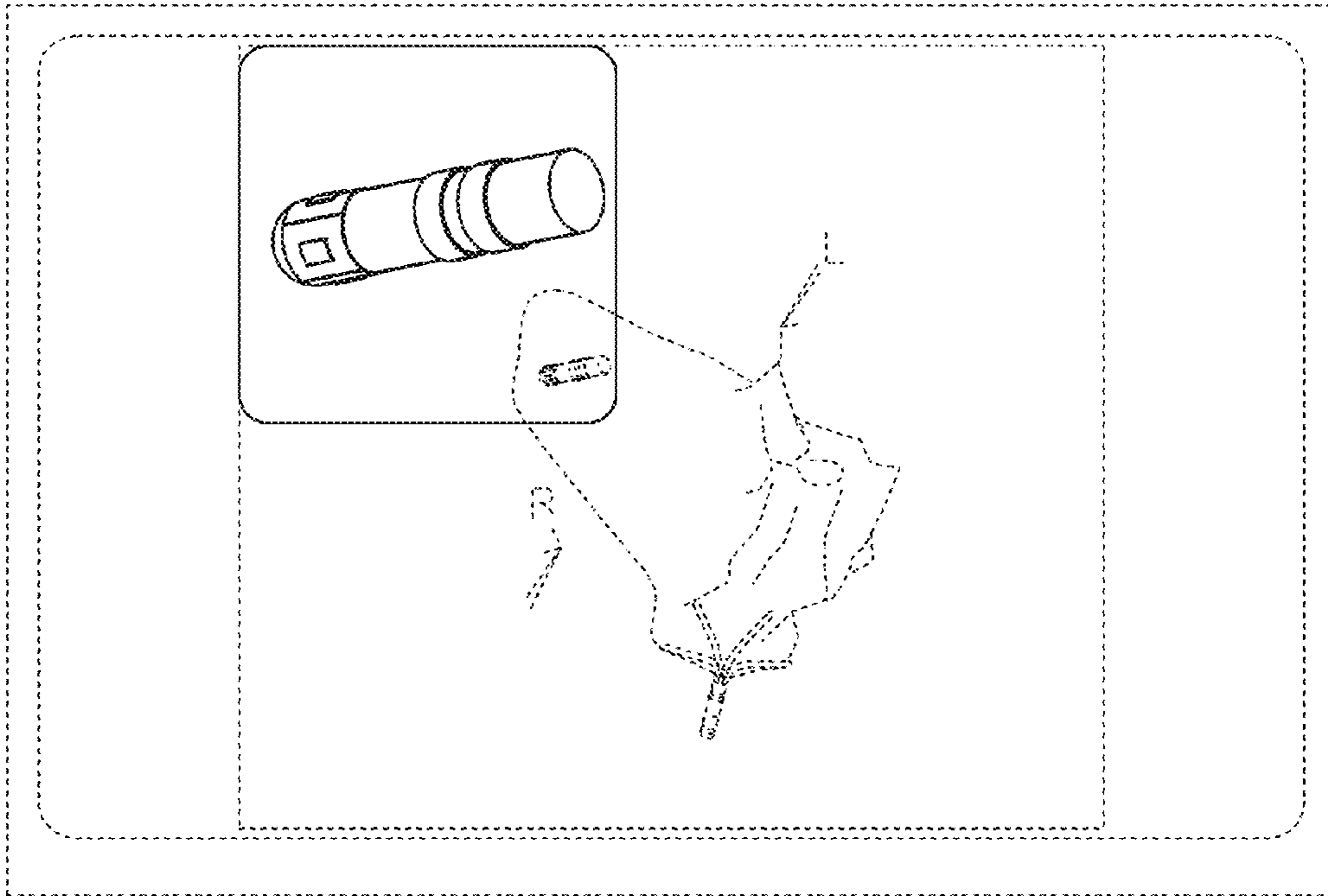


Fig. 5

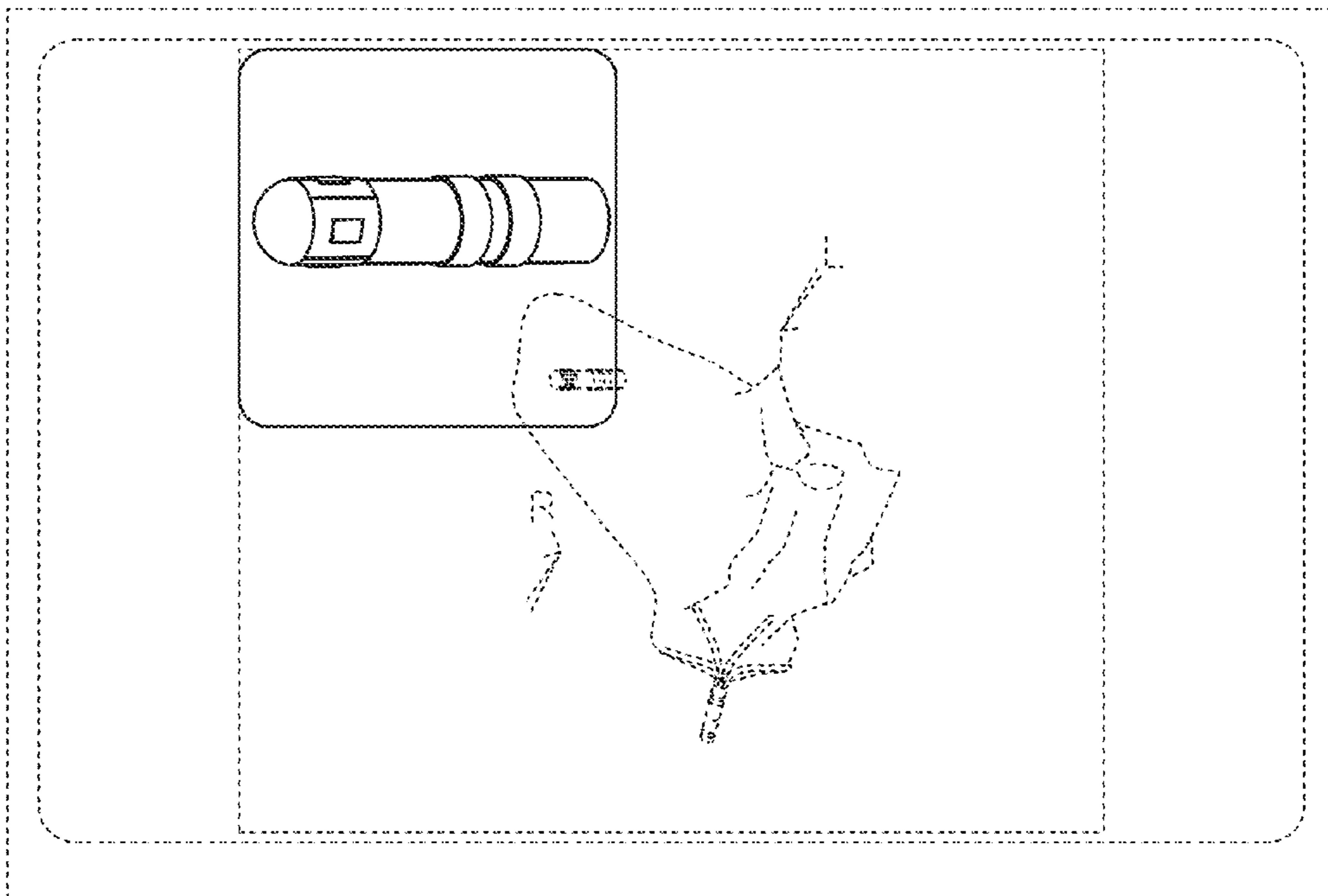


Fig. 6

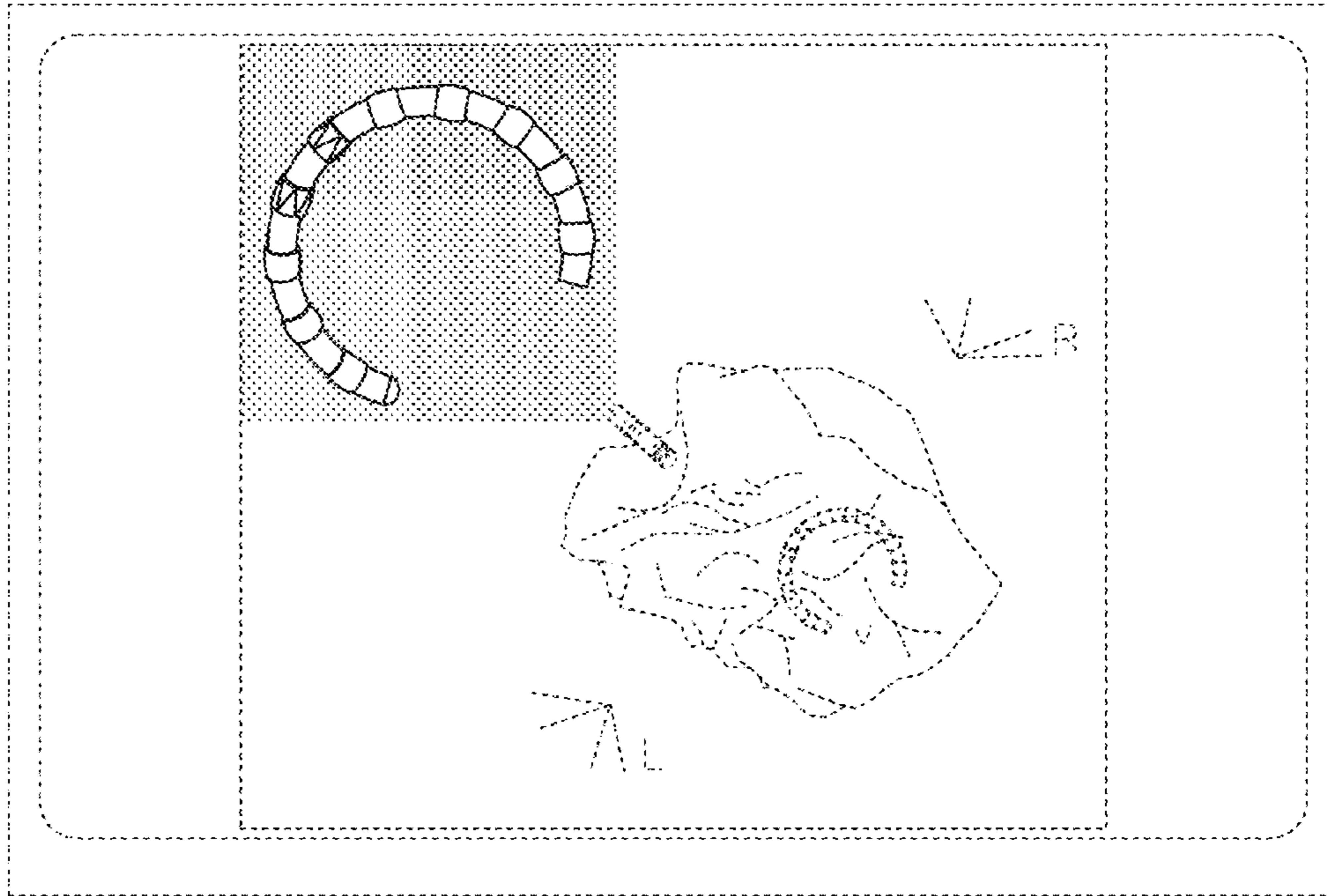


Fig. 7

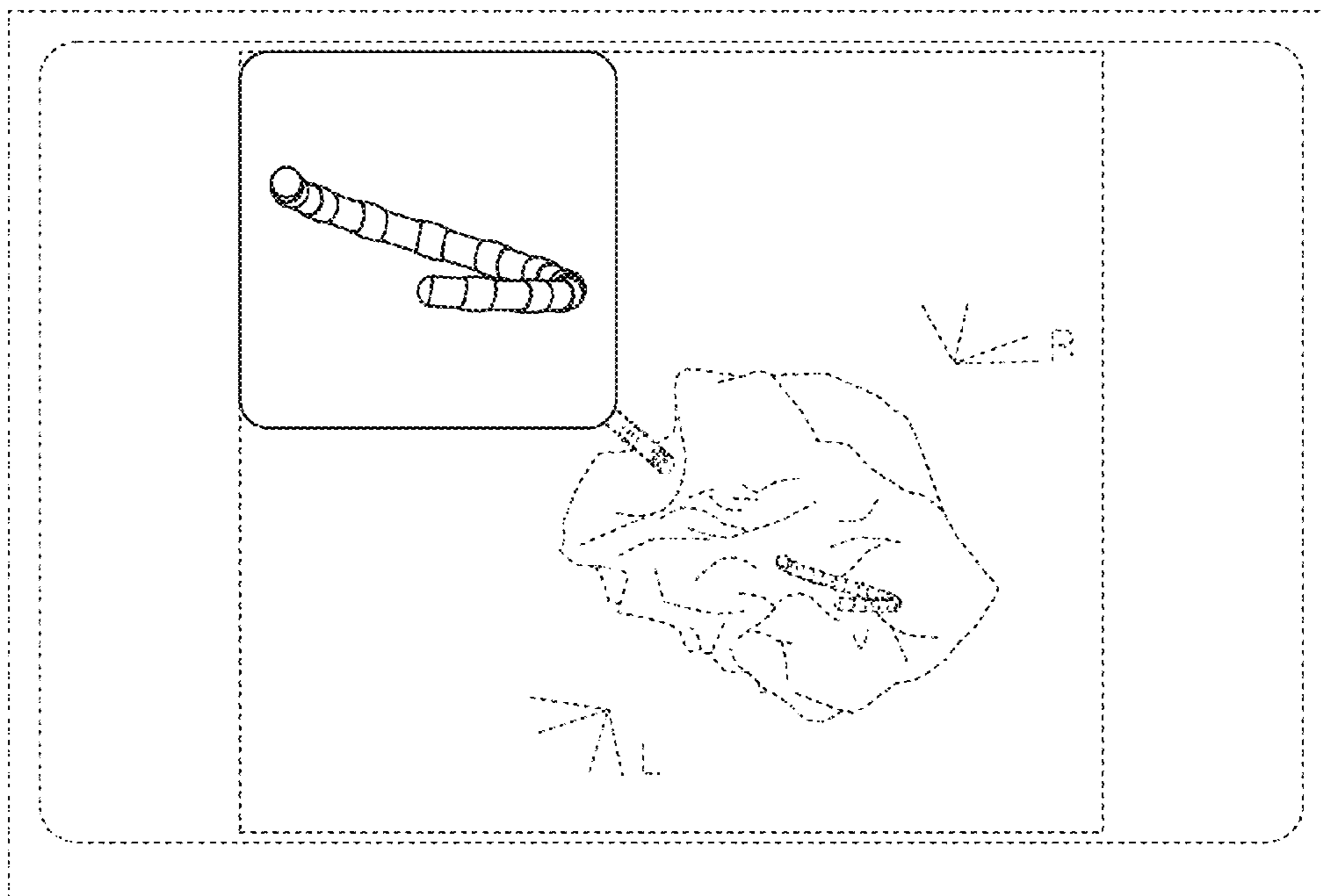


Fig. 8

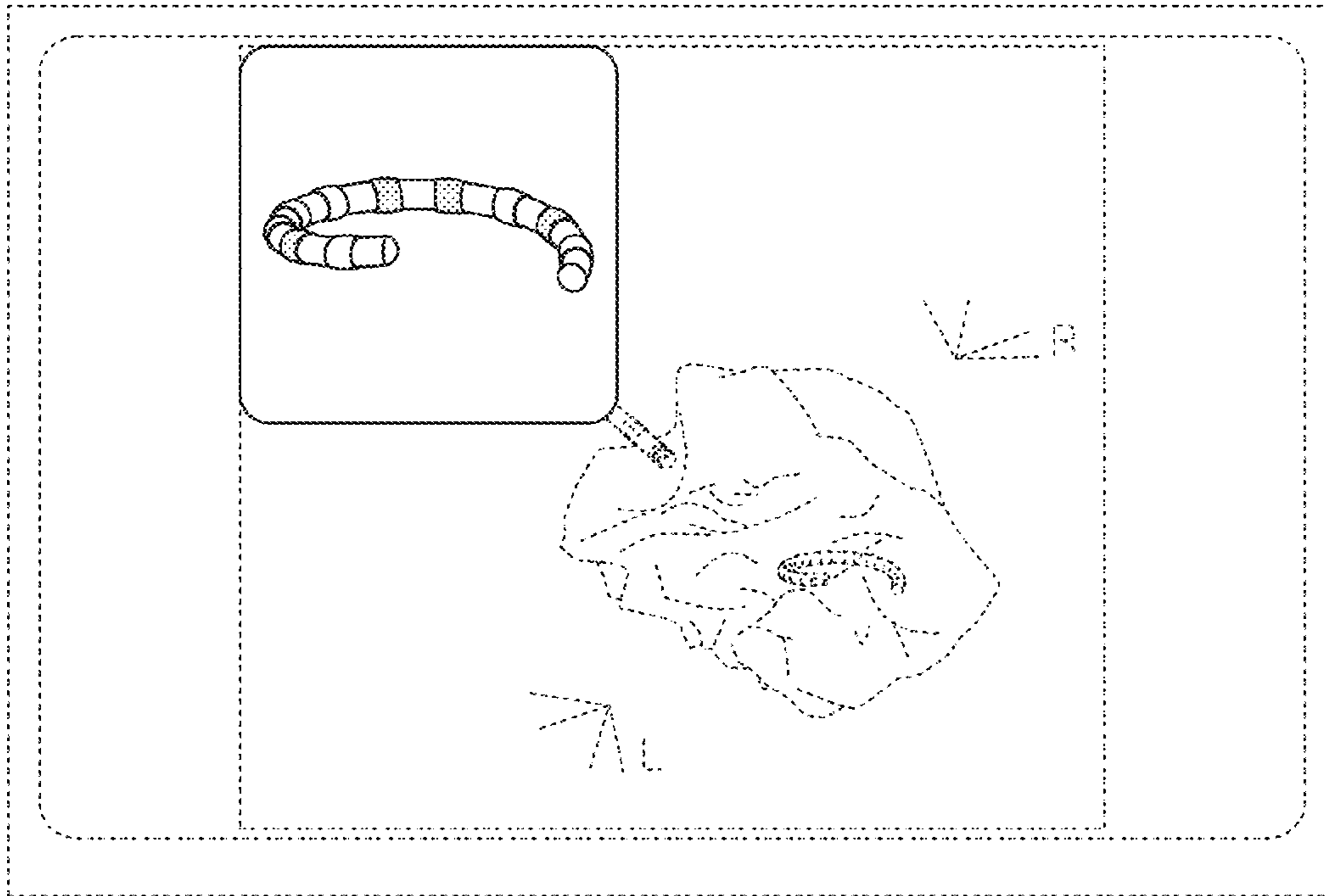


Fig. 9

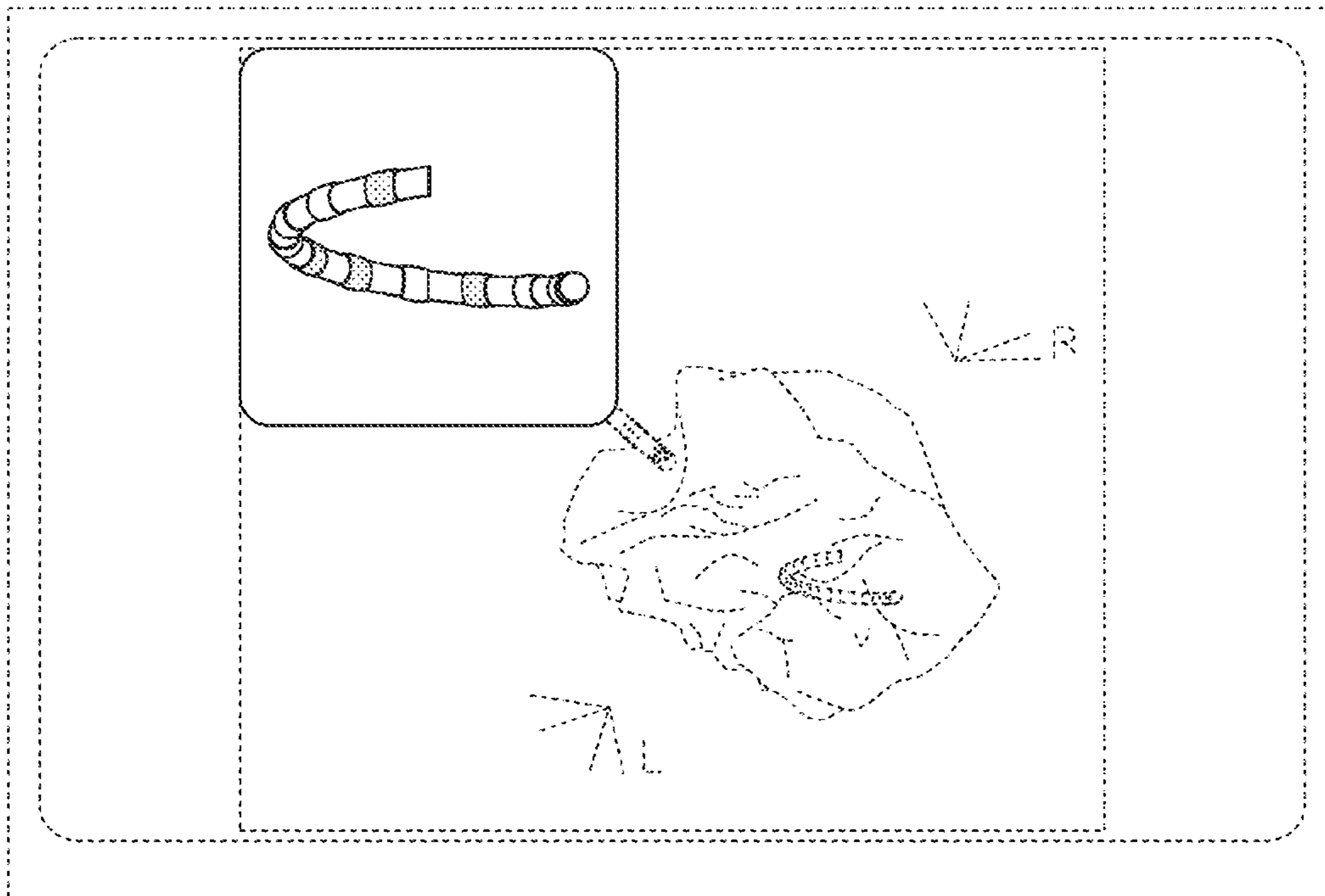


Fig. 10

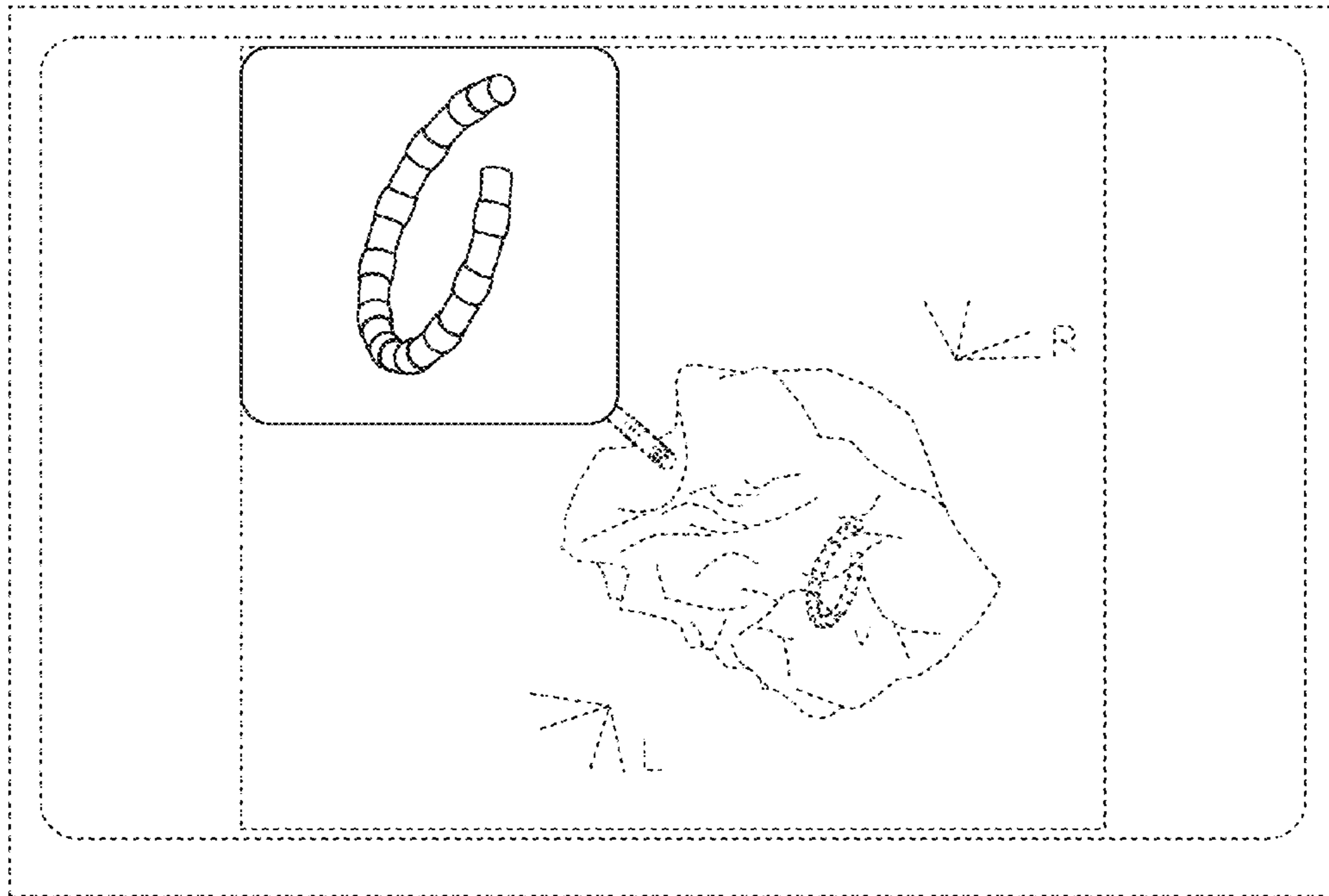


Fig. 11

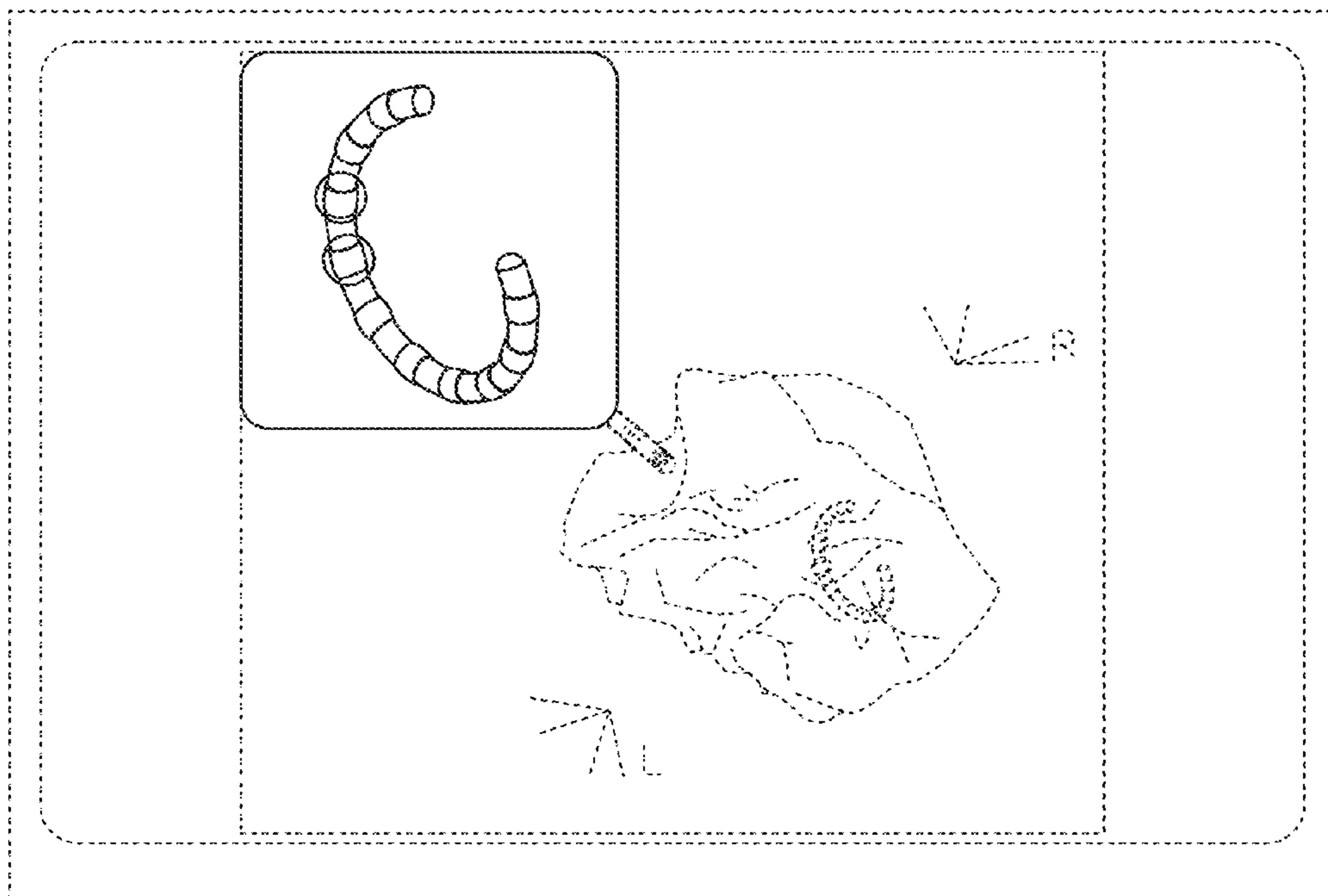


Fig. 12

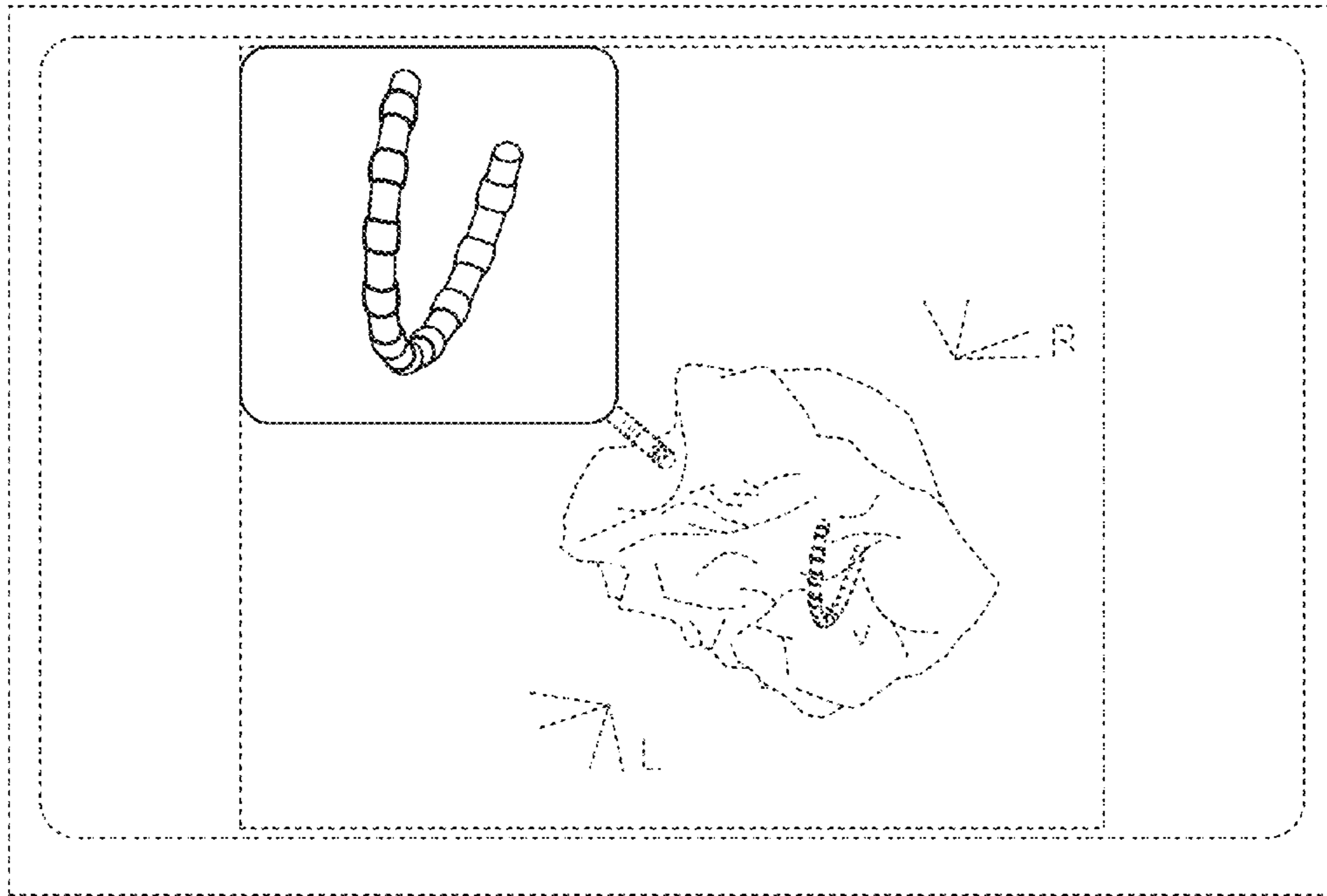


Fig. 13

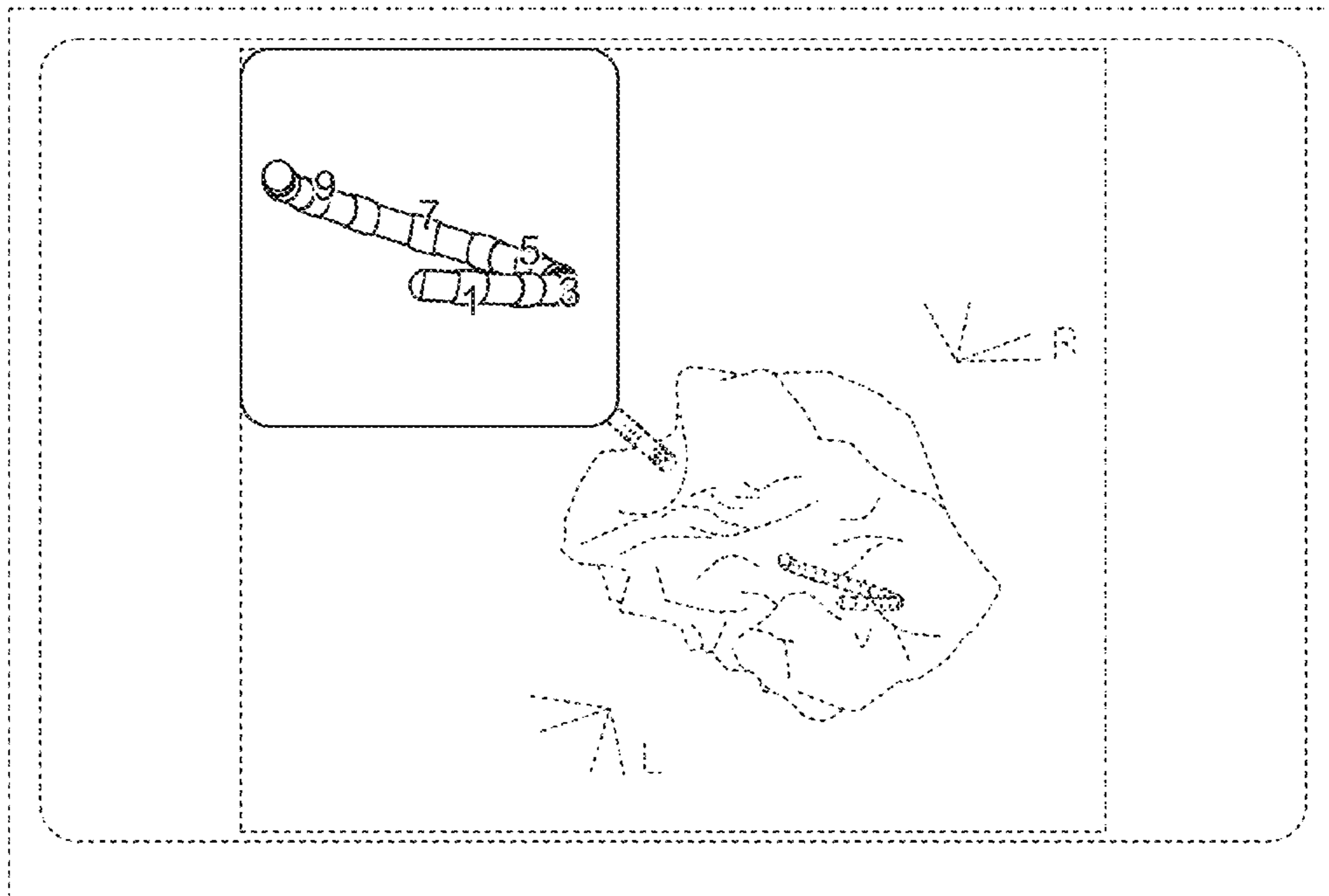


Fig. 14

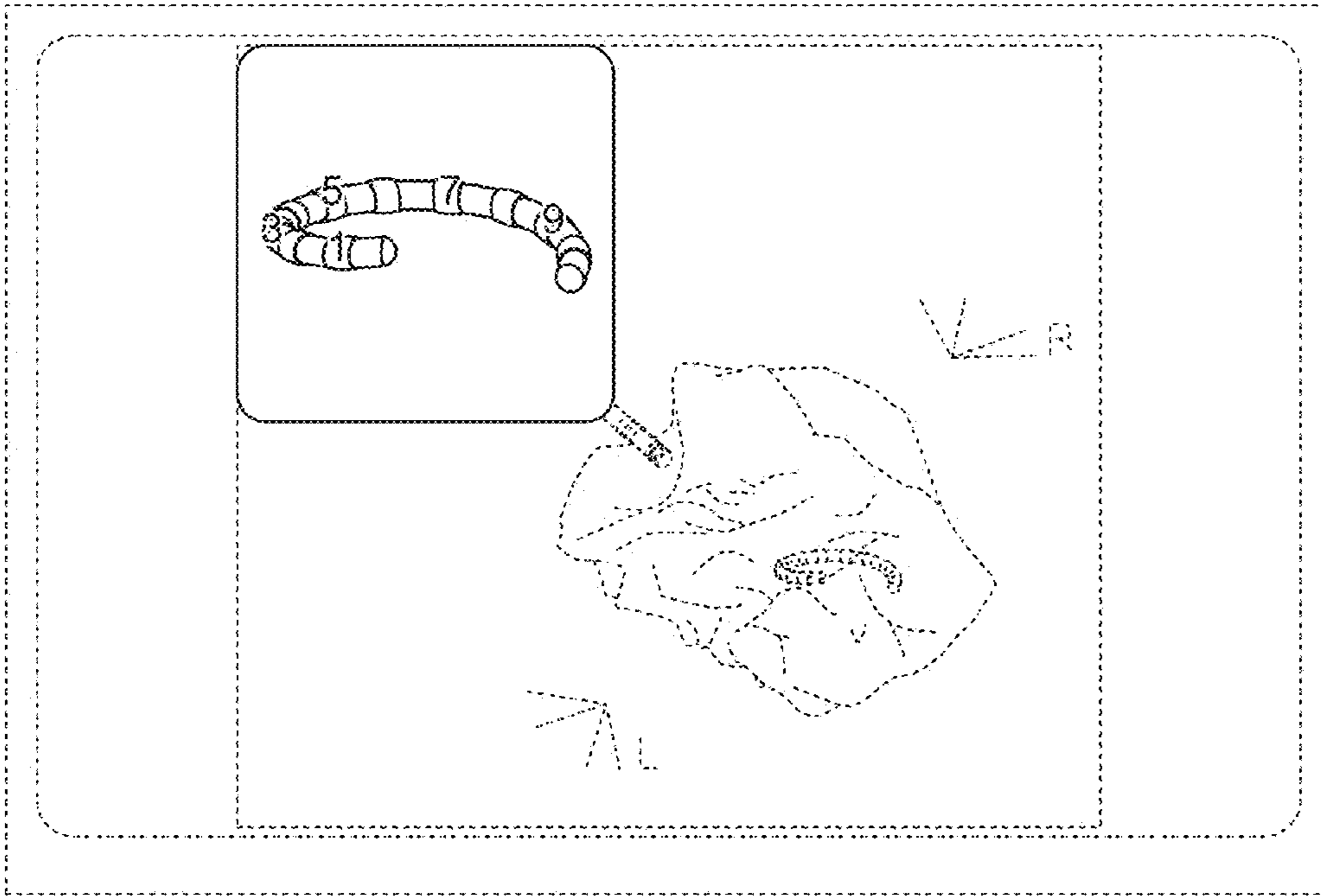


Fig. 15

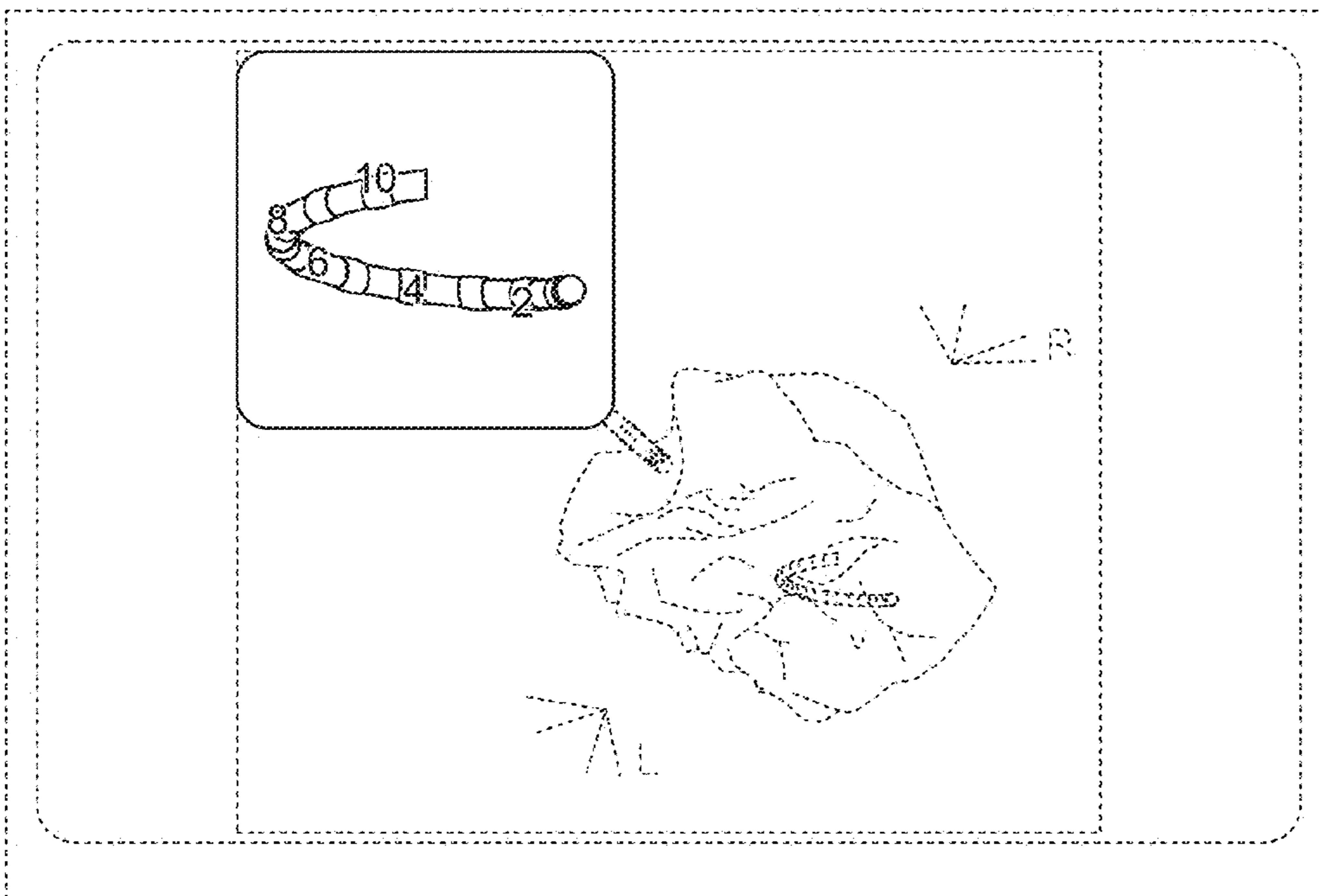


Fig. 16

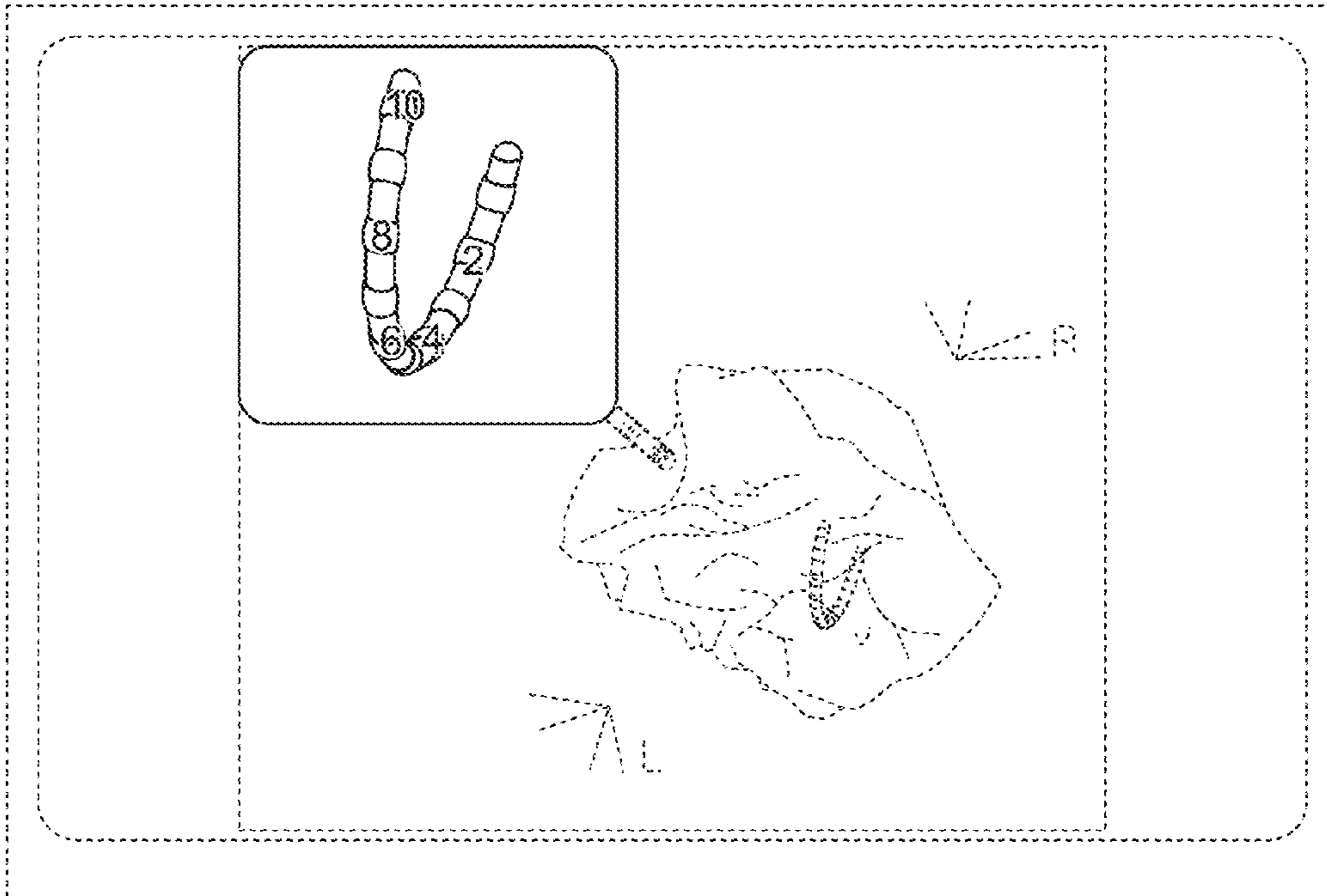


Fig. 17

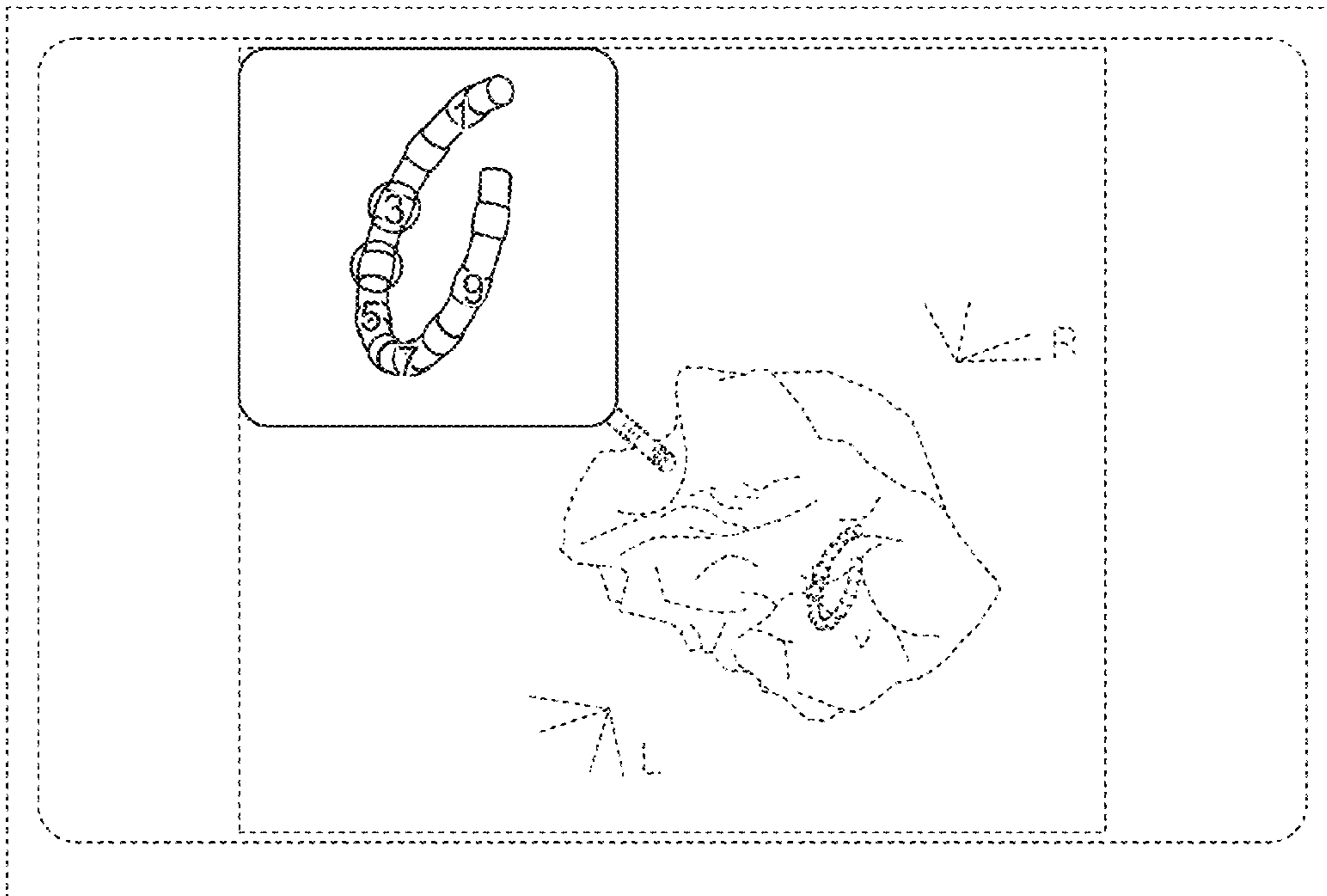


Fig. 18