



US00D748110S

(12) **United States Design Patent**
Yun et al.

(10) **Patent No.:** **US D748,110 S**
(45) **Date of Patent:** **** Jan. 26, 2016**

(54) **DISPLAY SCREEN OR PORTION THEREOF WITH ICON**

(71) Applicant: **Samsung Electronics Co., Ltd.**,
Suwon-si (KR)

(72) Inventors: **So-Young Yun**, Seoul (KR); **Yu-Kyung Lee**, Seoul (KR)

(73) Assignee: **SAMSUNG ELECTRONICS CO., LTD.**, Suwon-Si, Gyeonggi-Do (KR)

(**) Term: **14 Years**

(21) Appl. No.: **29/479,583**

(22) Filed: **Jan. 17, 2014**

(30) **Foreign Application Priority Data**

Sep. 3, 2013 (KR) 30-2013-0045486

(51) **LOC (10) Cl.** **14-03**

(52) **U.S. Cl.**
USPC **D14/485**

(58) **Field of Classification Search**
USPC D14/485-495; D20/24; D18/26, 31-33;
715/702, 764; D28/864
CPC G06F 3/106; G06F 3/0481; G06F 3/0482
See application file for complete search history.

(56) **References Cited**

U.S. PATENT DOCUMENTS

D589,208 S * 3/2009 Taniguchi D28/4
D590,838 S * 4/2009 Bisig D14/492
D592,218 S * 5/2009 Blankenship D14/485
D593,129 S * 5/2009 Danton D14/495
D661,428 S * 6/2012 Lukan D14/492
D676,060 S * 2/2013 Frost D14/490
D677,271 S * 3/2013 Phelan D14/489
D684,185 S * 6/2013 van Dongen D14/489
D687,063 S * 7/2013 Myung D14/489
D688,268 S * 8/2013 Myung D14/491
D688,700 S * 8/2013 Brown D14/489

D694,262 S * 11/2013 Jang D14/492
D695,308 S * 12/2013 Lee D14/491
D700,207 S * 2/2014 Pearson D14/488
D706,292 S * 6/2014 Tyler D14/489
D708,214 S * 7/2014 Lee D14/489
D708,221 S * 7/2014 Danton D14/492
D709,088 S * 7/2014 Barcheck D14/489
D715,322 S * 10/2014 Sakata D14/492
D729,272 S * 5/2015 Um D14/489

OTHER PUBLICATIONS

Samsung electronics Co., Ltd., "Turn on TV by an application outside the house", Show "Smart Home" at IFA2013, Aug. 27, 2013, Report: Song-Hee Seo.
Samsung Electronics Co., Ltd. shows "Smart Home" at IFA2013, Aug. 27, 2013, Report: Young-Woo Park.

* cited by examiner

Primary Examiner — Brandon M Rosati

Assistant Examiner — Rhea Shield

(74) *Attorney, Agent, or Firm* — Ladas & Parry LLP

(57) **CLAIM**

The ornamental design for a display screen or portion thereof with icon, as shown and described.

DESCRIPTION

FIG. 1 is a front view of a display screen or portion thereof with icon showing our new design as part of an environmental graphical user interface; and,

FIG. 2 is an enlarged front view of the display screen or portion thereof with icon shown independent to the graphical user interface from FIG. 1.

The dash-dot broken lines in the drawings illustrate the display screen or portion thereof that forms no part of the claimed design. Moreover, the even broken line showing the landscape background, various text and the dashboard widget are provided for the purpose of illustrating environmental structure of a graphical user interface and forms no part of the claimed design.

1 Claim, 2 Drawing Sheets

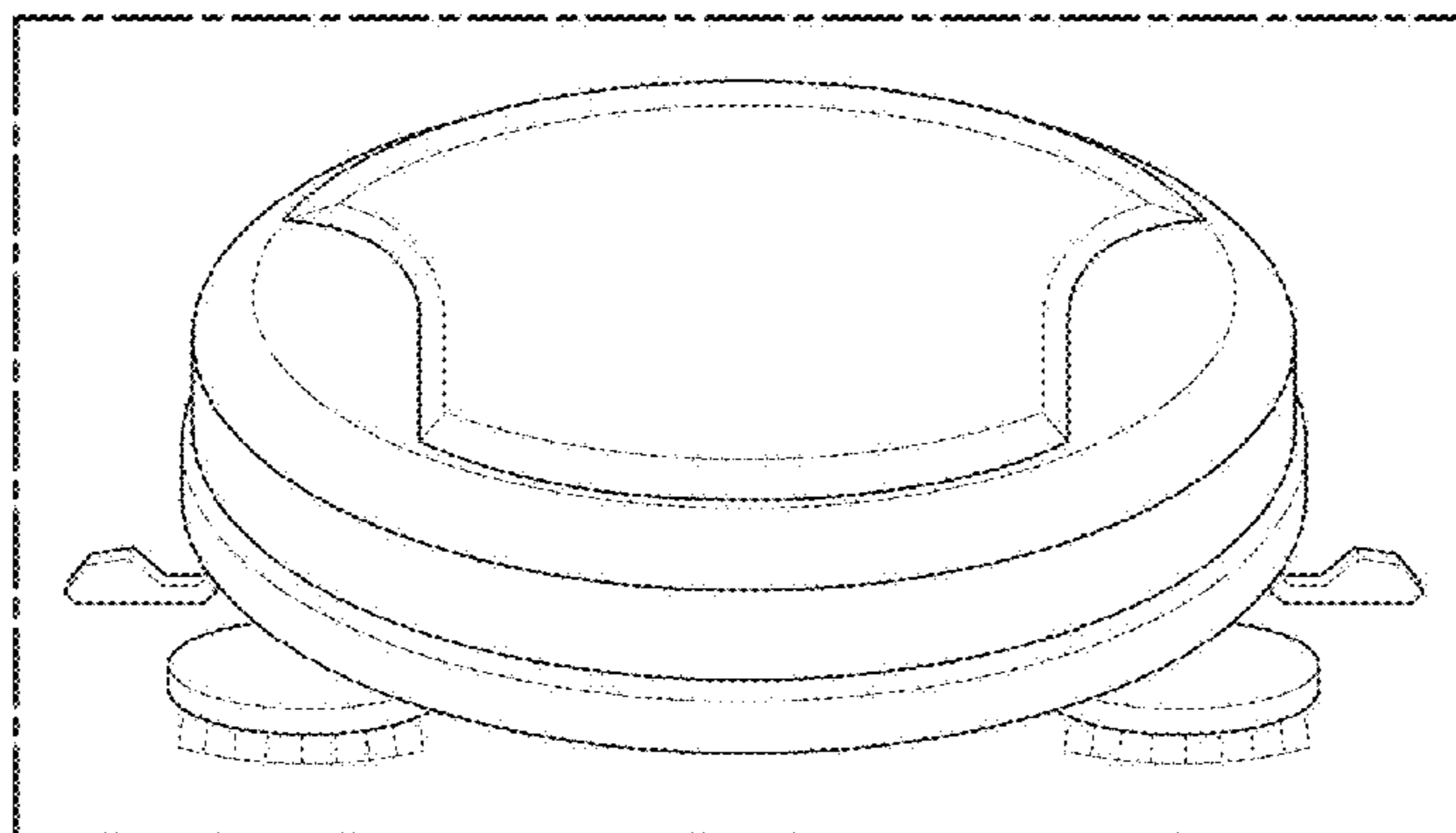


FIG. 1

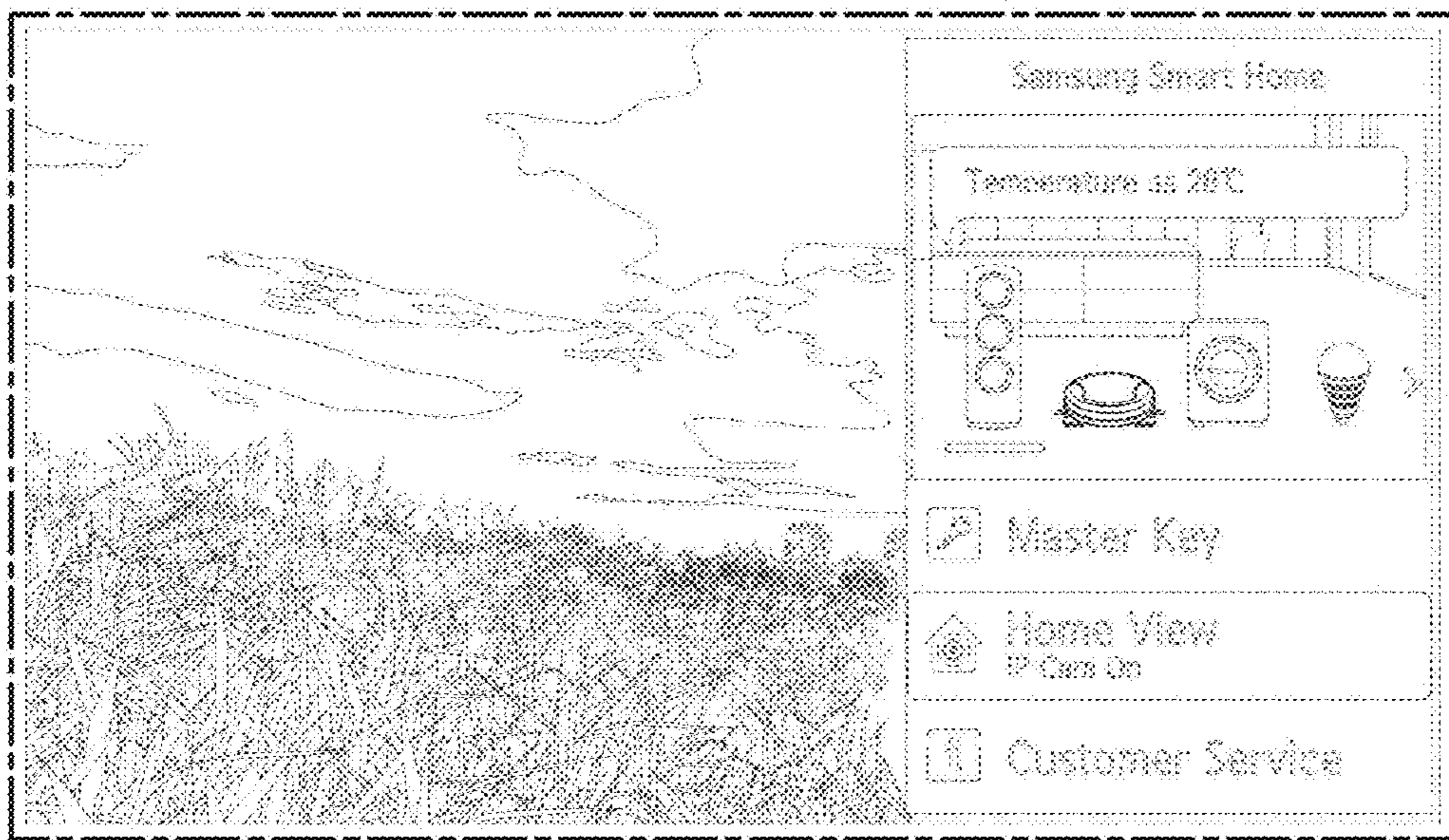


FIG. 2

