



US00D748103S

(12) **United States Design Patent**
Virk et al.

(10) **Patent No.:** **US D748,103 S**
(45) **Date of Patent:** **** Jan. 26, 2016**

(54) **DISPLAY PANEL PORTION WITH A CHANGEABLE GRAPHICAL USER INTERFACE COMPONENT**

Primary Examiner — Sheryl Lane
Assistant Examiner — Nicole Shiflet
(74) *Attorney, Agent, or Firm* — Leason Ellis LLP

(71) Applicant: **Google Inc.**, Mountain View, CA (US)

(57) **CLAIM**

(72) Inventors: **Adnan Virk**, San Francisco, CA (US);
Rado Kirov, San Francisco, CA (US);
Johan Land, Santa Clara, CA (US);
Omer Gimenez Llach, San Jose, CA (US);
Nathan Peter Lucash, San Francisco, CA (US);
Lingxing Yuan, Milpitas, CA (US);
Yuheng Kuang, Sunnyvale, CA (US)

The ornamental design for a display panel portion with a changeable graphical user interface component, as shown and described.

(73) Assignee: **GOOGLE INC.**, Mountain View, CA (US)

DESCRIPTION

(**) Term: **14 Years**

FIG. 1 is a front view of a display panel portion with a changeable graphical user interface component showing a first image in a sequence according to a first embodiment of our new design;

(21) Appl. No.: **29/472,420**

FIG. 2 is a front view of a second image in the sequence of the first embodiment;

(22) Filed: **Nov. 12, 2013**

FIG. 3 is a front view of a third image in the sequence of the first embodiment;

(51) **LOC (10) Cl.** **14-04**

FIG. 4 is a front view of a display panel portion with a changeable graphical user interface component showing a first image in a sequence according to a second embodiment of our new design;

(52) **U.S. Cl.**
USPC **D14/485**

FIG. 5 is a front view of a second image thereof in the sequence of the second embodiment; and,

(58) **Field of Classification Search**
USPC D14/485-489
CPC G06F 3/0482; G06F 3/04812; G06F 3/04842; G06F 3/04817
See application file for complete search history.

FIG. 6 is a front view of a third image thereof in the sequence of the second embodiment.

(56) **References Cited**

The subject matter in this patent includes a process or period in which an image changes into another image. This process or period forms no part of the claimed design.

U.S. PATENT DOCUMENTS

The dash-dash broken lines illustrate environmental structure, namely, text, borders, and a portion of a display panel of a communications terminal surrounding the illustrated changeable graphical user interface component, and form no part of the claimed design.

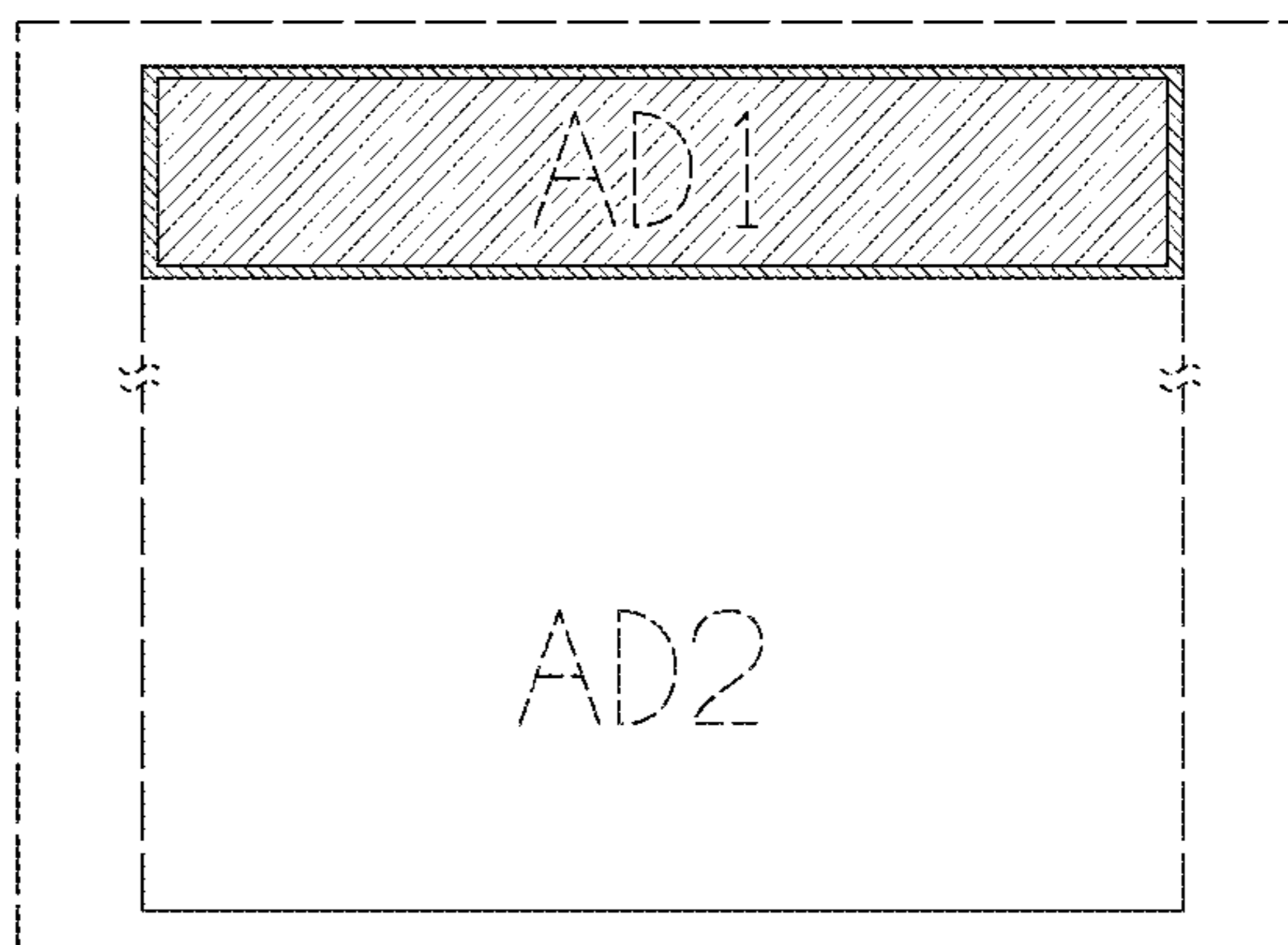
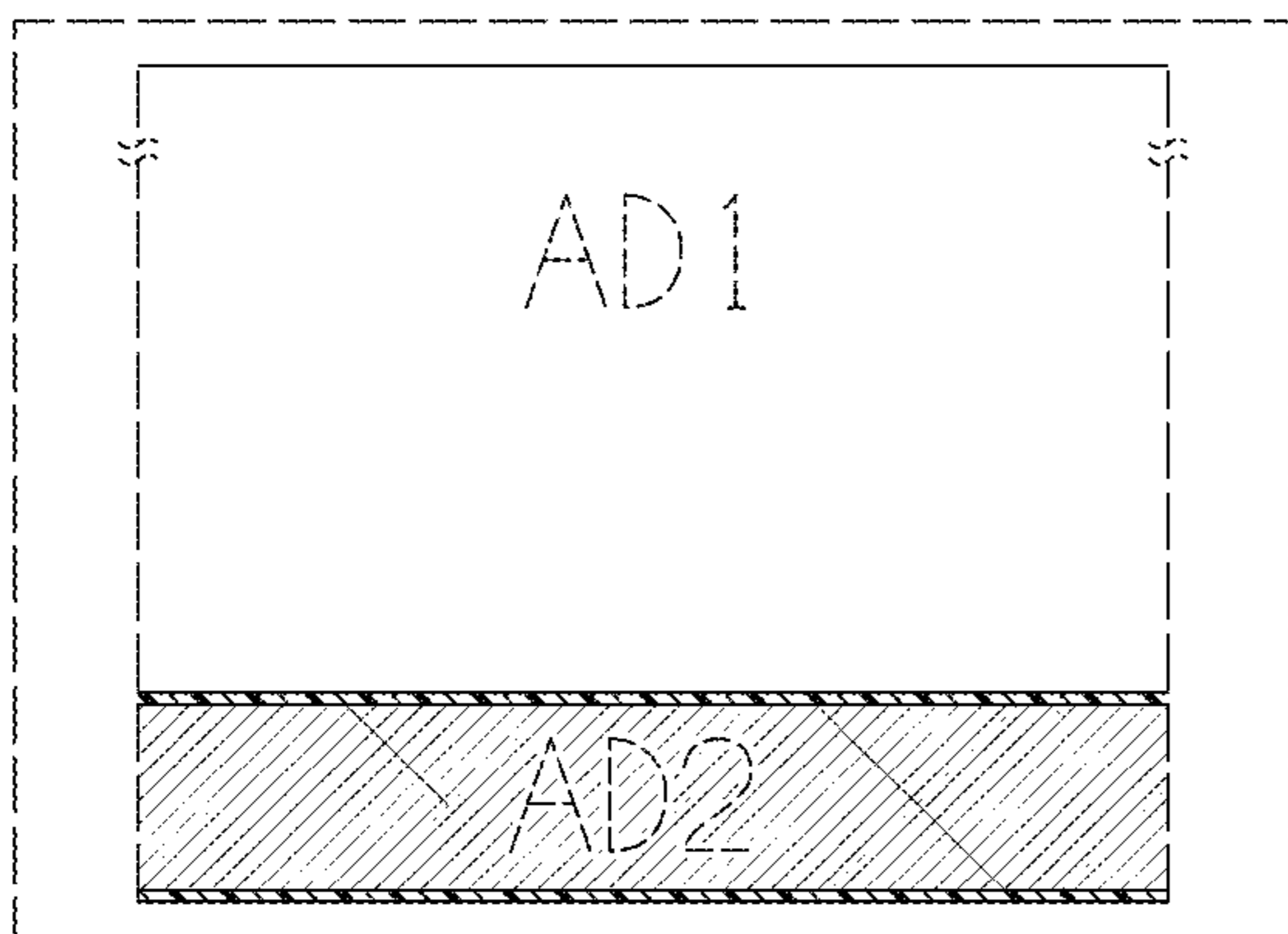
D534,542 S *	1/2007	Jewitt et al.	D14/487
D537,834 S *	3/2007	Agarwal et al.	D14/486
D558,221 S *	12/2007	Nagata et al.	D14/488
D588,152 S *	3/2009	Okada	D14/488
D588,153 S *	3/2009	Okada	D14/488
D619,612 S *	7/2010	Pueyo et al.	D14/487
D620,020 S *	7/2010	Van Os	D14/486
D621,849 S *	8/2010	Anzures et al.	D14/488
D635,148 S *	3/2011	Loken	D14/486

The curved broken-away lines indicate break lines and the appearance of any portion of the article between the break lines forms no part of the claimed design.

(Continued)

The diagonal lines that are part of the claimed design are meant to portray contrasting appearance. Any diagonal lines that appear at the same angle yet at different locations of the claimed design are meant to portray the same appearance.

1 Claim, 3 Drawing Sheets



US D748,103 S

Page 2

(56)

References Cited

U.S. PATENT DOCUMENTS

D637,604 S * 5/2011 Brinda D14/488
D641,372 S * 7/2011 Gardner et al. D14/486
D661,702 S * 6/2012 Asai et al. D14/488

D727,351 S * 4/2015 Ray et al. D14/488
2011/0099508 A1* 4/2011 Liu 715/781
2012/0287065 A1* 11/2012 Oshinome 345/173
2015/0116218 A1* 4/2015 Yang et al. 345/158

* cited by examiner

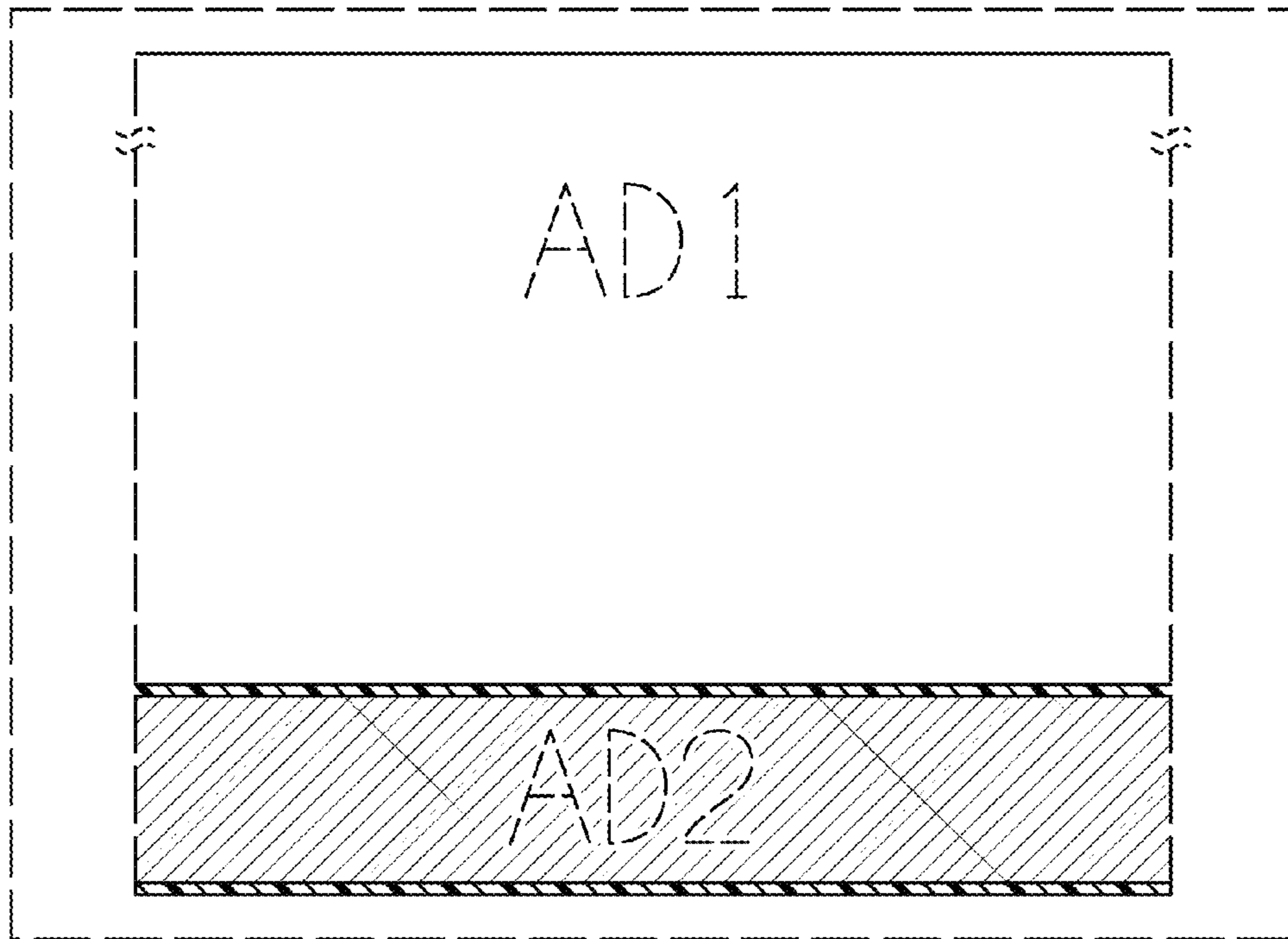


Fig. 1

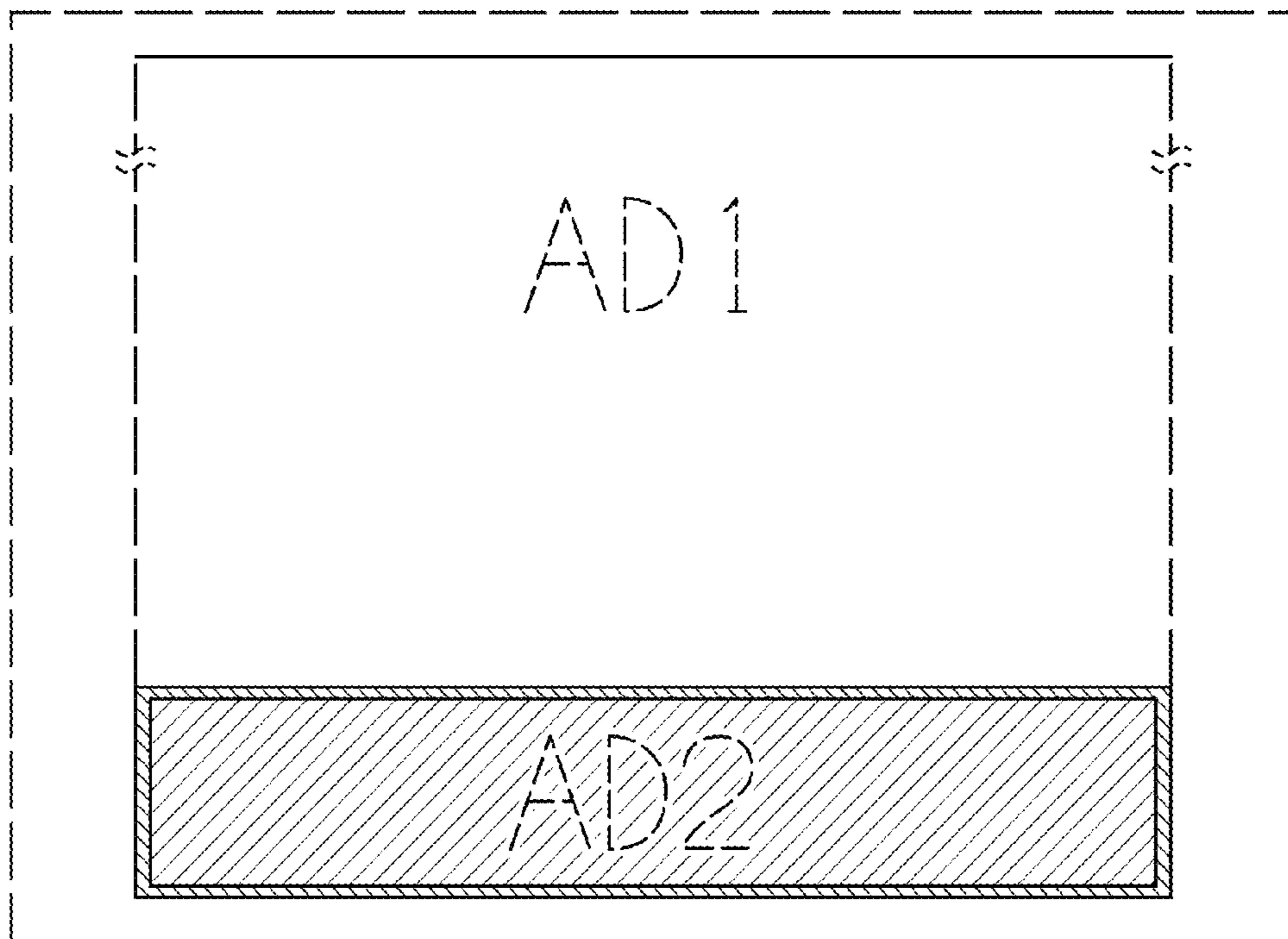


Fig. 2

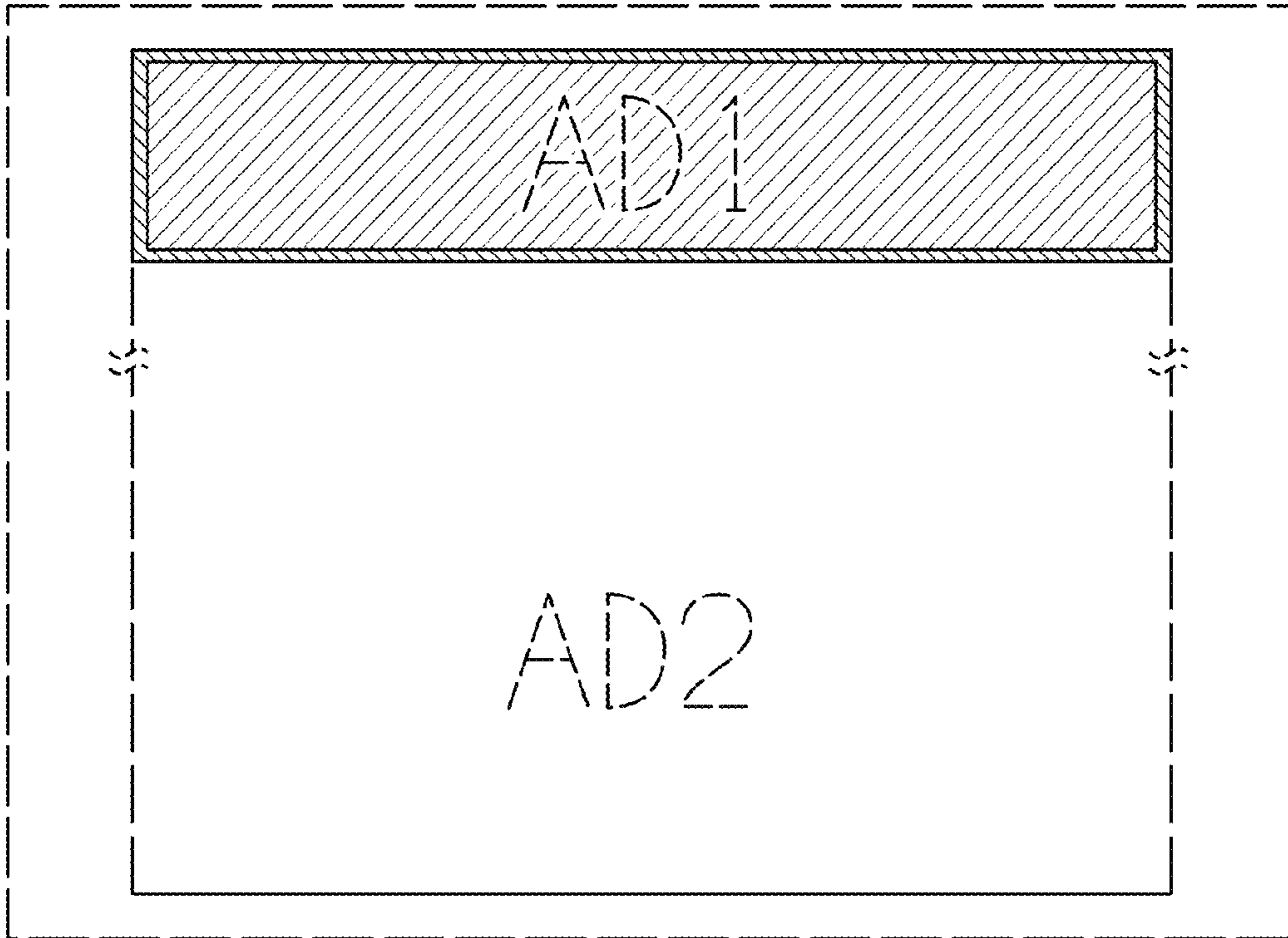


Fig. 3

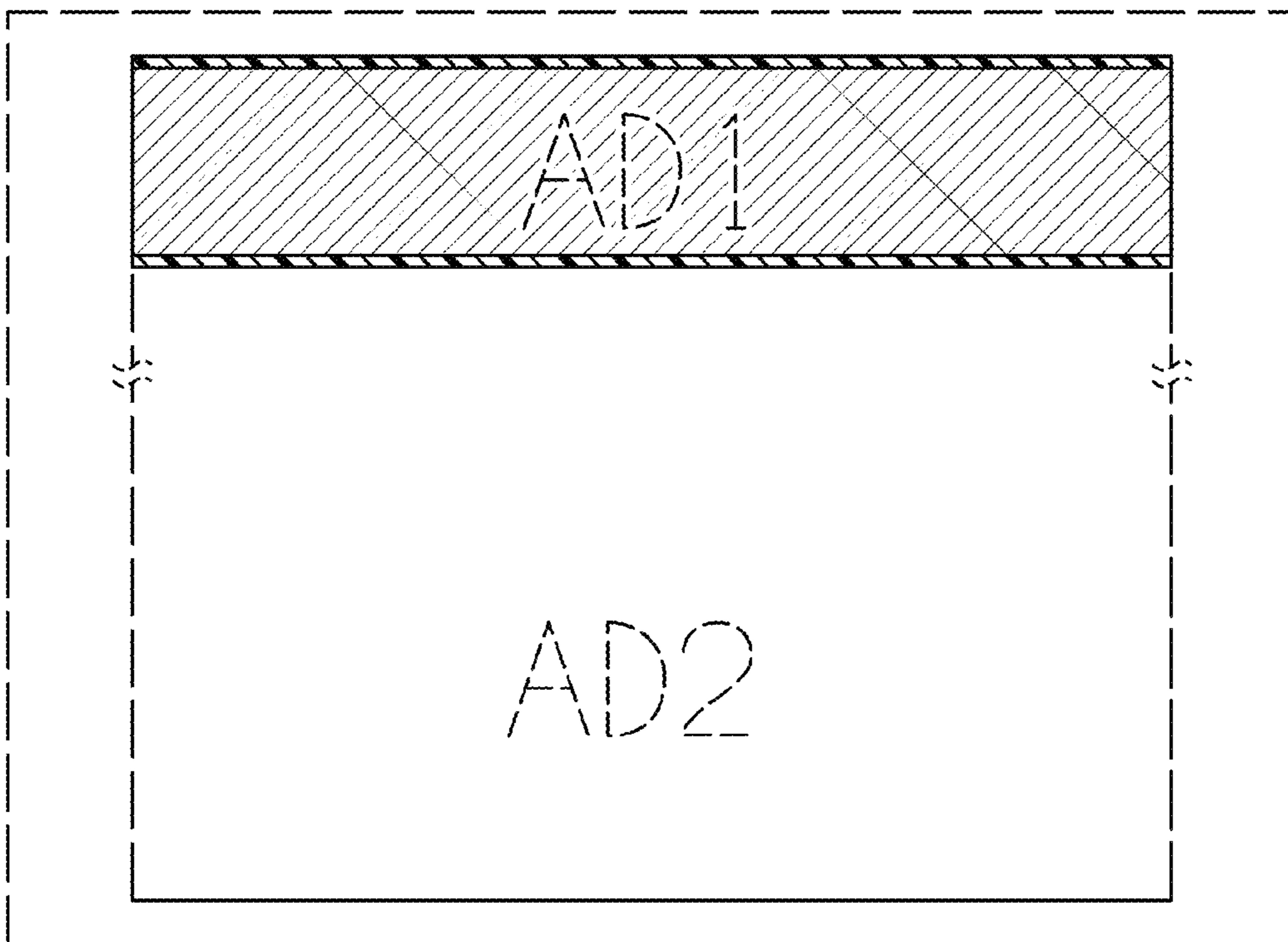


Fig. 4

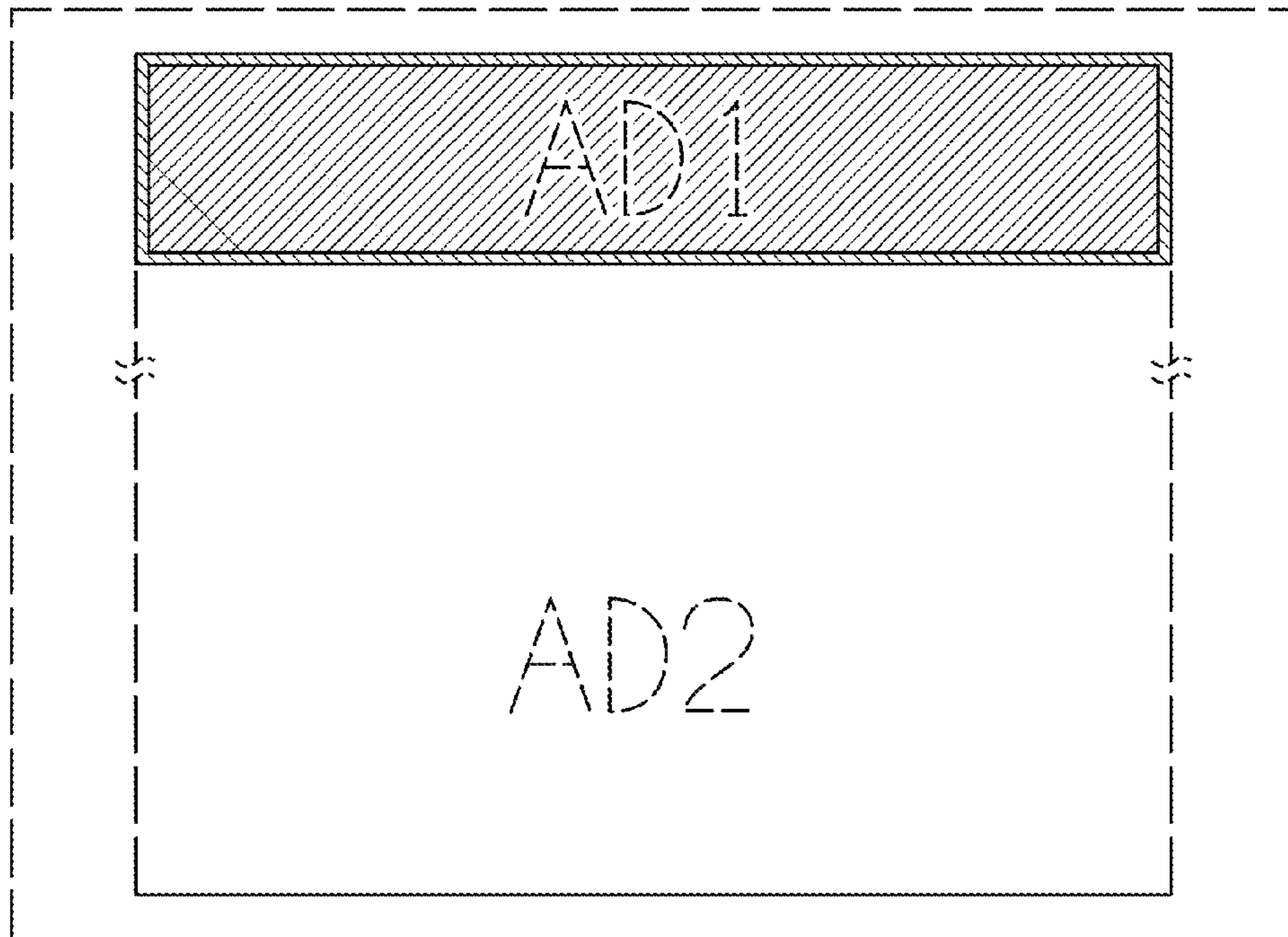


Fig. 5

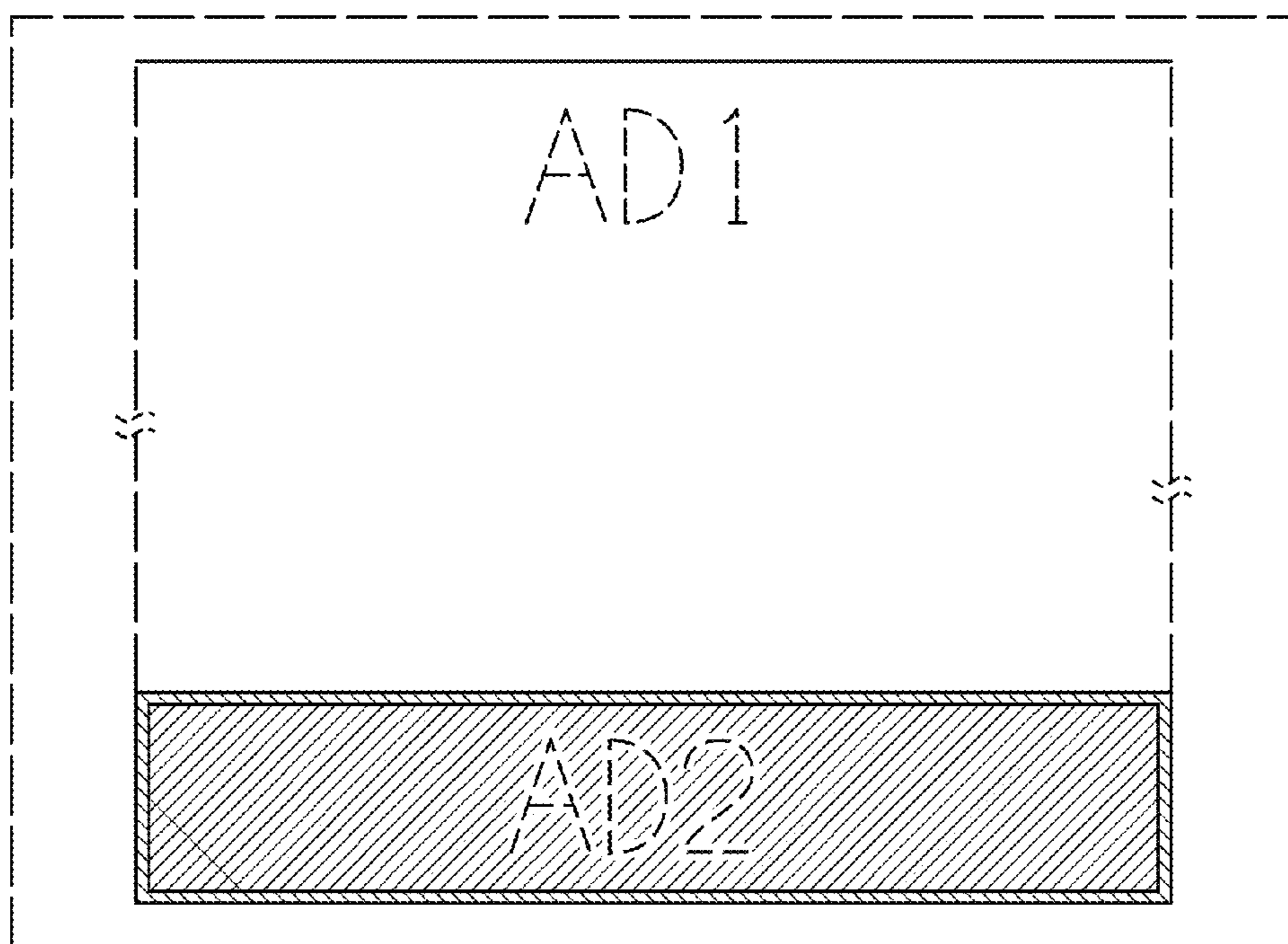


Fig. 6