



US00D748099S

(12) **United States Design Patent**  
**Heid**

(10) **Patent No.:** **US D748,099 S**  
(45) **Date of Patent:** **\*\* Jan. 26, 2016**

(54) **TABLET HOLDER**

(71) Applicant: **Manhasset Specialty Co., Yakima, WA**  
(US)

(72) Inventor: **Barry T. Heid, Yakima, WA (US)**

(73) Assignee: **Manhasset Specialty Co., Yakima, WA**  
(US)

(\*\*) Term: **14 Years**

(21) Appl. No.: **29/514,788**

(22) Filed: **Jan. 16, 2015**

(51) **LOC (10) Cl.** ..... **08-07**

(52) **U.S. Cl.**  
USPC ..... **D14/447**

(58) **Field of Classification Search**  
USPC ..... D14/447, 432, 434, 439, 440, 451, 452,  
D14/457, 250, 251, 253; D3/218; D6/406.3,  
D6/406.4, 406.5, 406.6  
CPC ..... A45C 2011/003; A45C 2011/002;  
A45C 13/002; A47B 2023/049; A47B  
2097/005; A47B 2097/006; A47B 21/04;  
A47B 23/00; A47B 23/043; A47B 2021/0307;  
A47B 2023/005; F16M 2200/00; H04B  
1/3888; H04M 1/04; H04M 1/185

See application file for complete search history.

(56) **References Cited**

U.S. PATENT DOCUMENTS

D680,547 S *	4/2013	Williams	.....	D14/447
D684,979 S *	6/2013	Chun	.....	D14/447
D689,057 S *	9/2013	Waterman	.....	D14/447
D689,502 S *	9/2013	Belitz	.....	D14/447
D692,436 S *	10/2013	Hung	.....	D14/447
D697,515 S *	1/2014	Adelman	.....	D14/447
D704,197 S *	5/2014	Aber	.....	D14/447
D704,201 S *	5/2014	Shubin, Sr.	.....	D14/447
D708,603 S *	7/2014	Kim	.....	D14/253
D717,307 S *	11/2014	Chun	.....	D14/447
D733,548 S *	7/2015	Brown	.....	D14/447
D739,410 S *	9/2015	Chun	.....	D14/447
D739,858 S *	9/2015	Matias	.....	D14/457

\* cited by examiner

*Primary Examiner* — Angela J Lee

(74) *Attorney, Agent, or Firm* — Michelle Bos Legal LLC

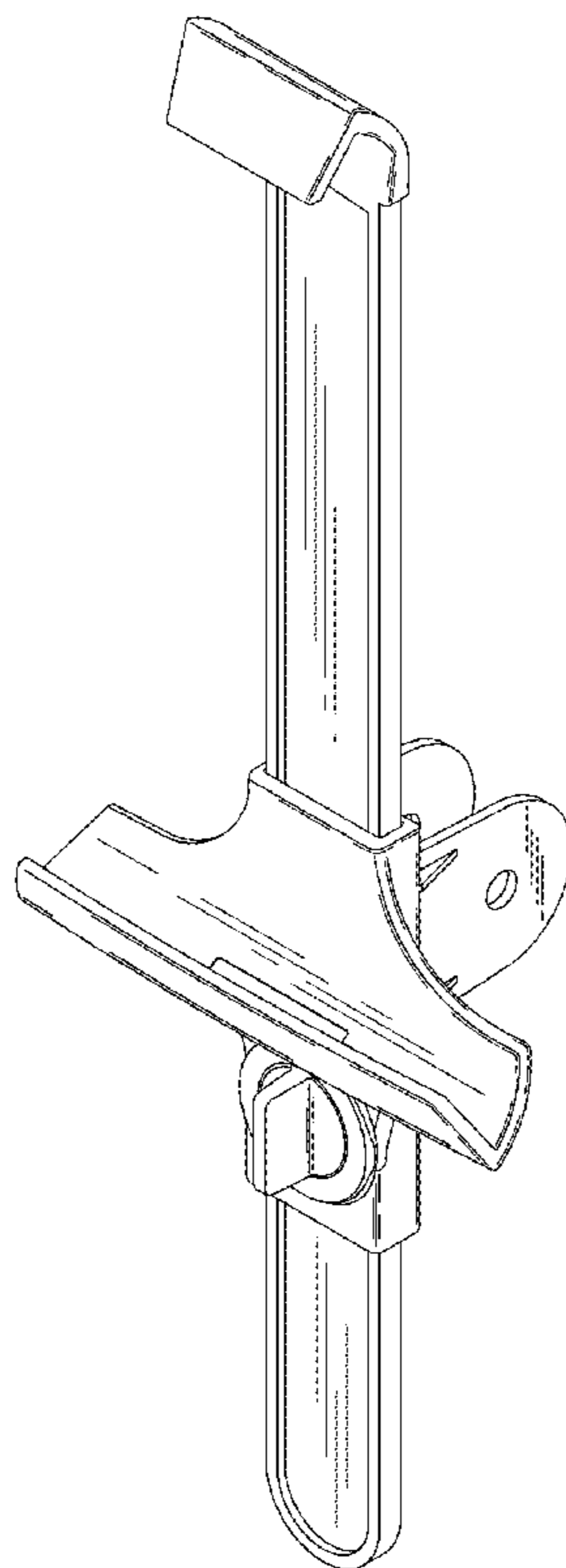
(57) **CLAIM**

I claim the ornamental design for a tablet holder, as shown and described.

**DESCRIPTION**

FIG. 1 is a perspective side view of a tablet holder.  
FIG. 2 is a front view of the tablet holder.  
FIG. 3 is a right side view of the tablet holder. The left side view is a mirror image of the right side view.  
FIG. 4 is a top view of the tablet holder.  
FIG. 5 is a rear view of the tablet holder; and,  
FIG. 6 is a bottom view of the tablet holder.

**1 Claim, 3 Drawing Sheets**



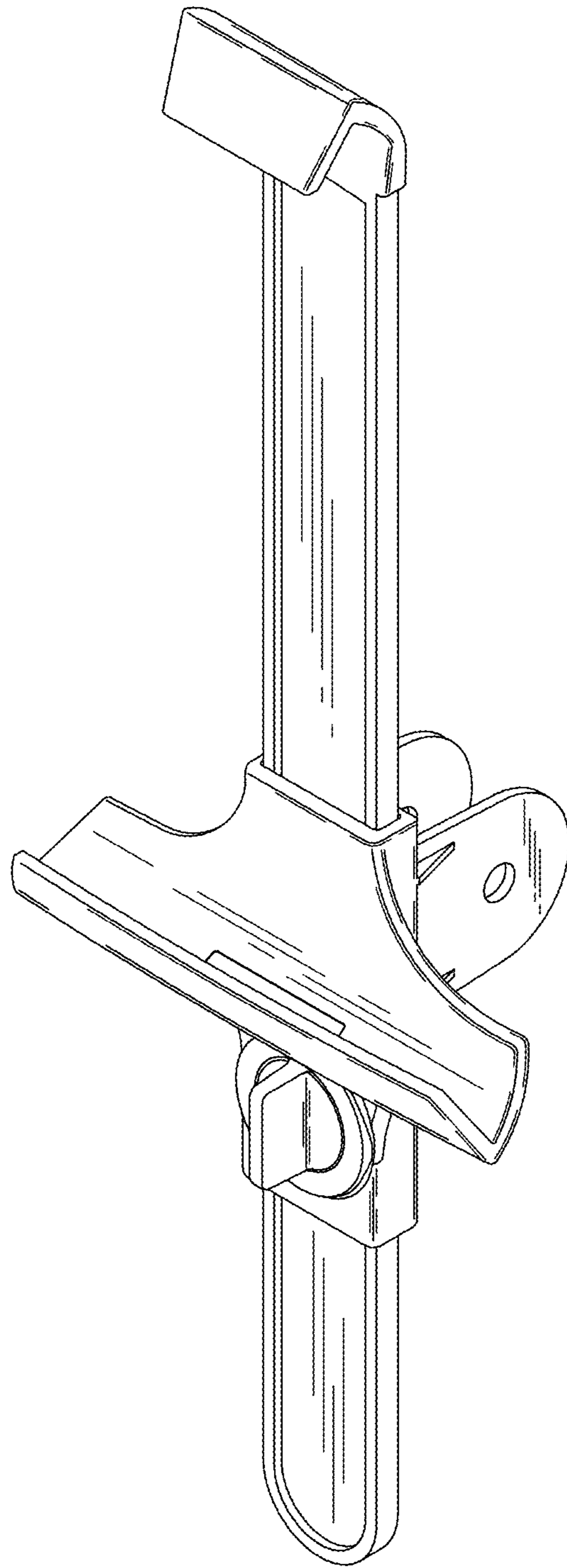


Fig. 1

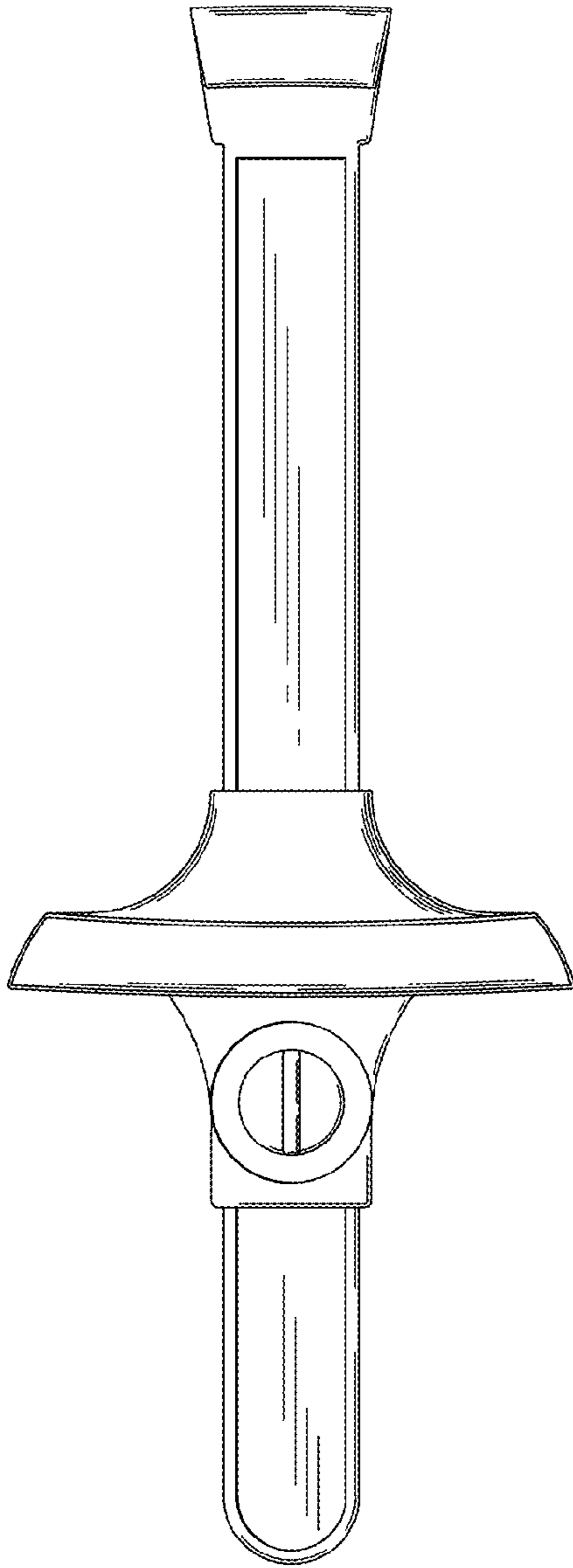


Fig. 2

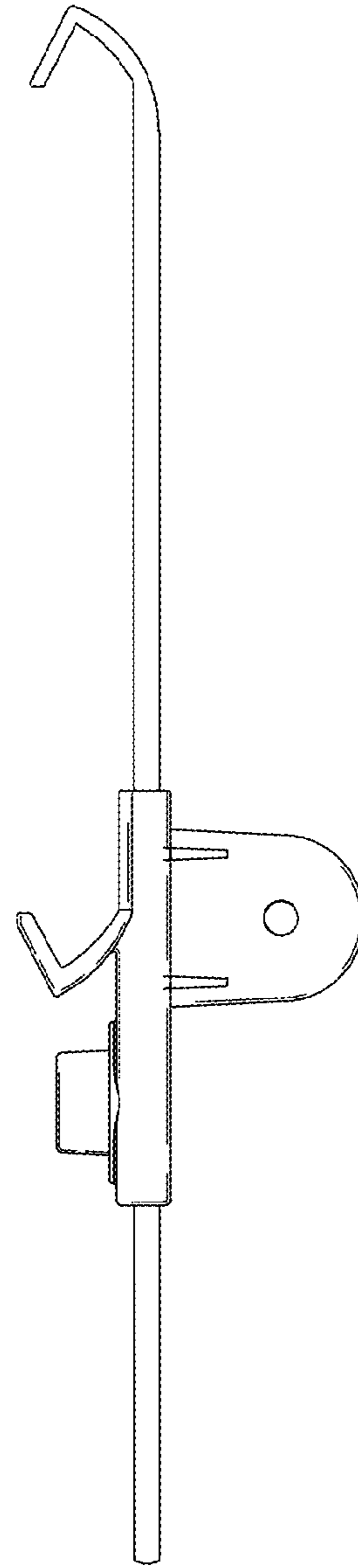
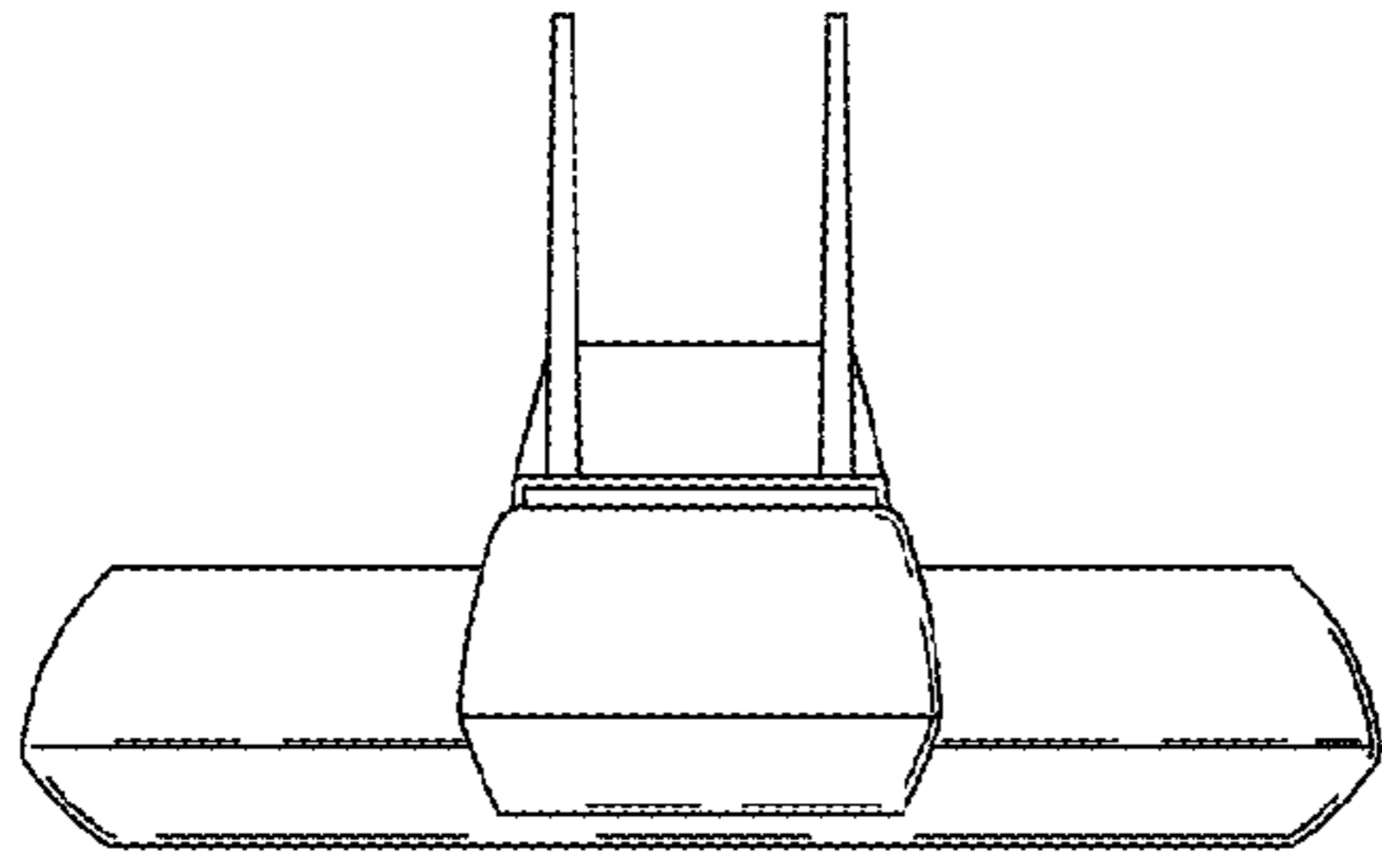
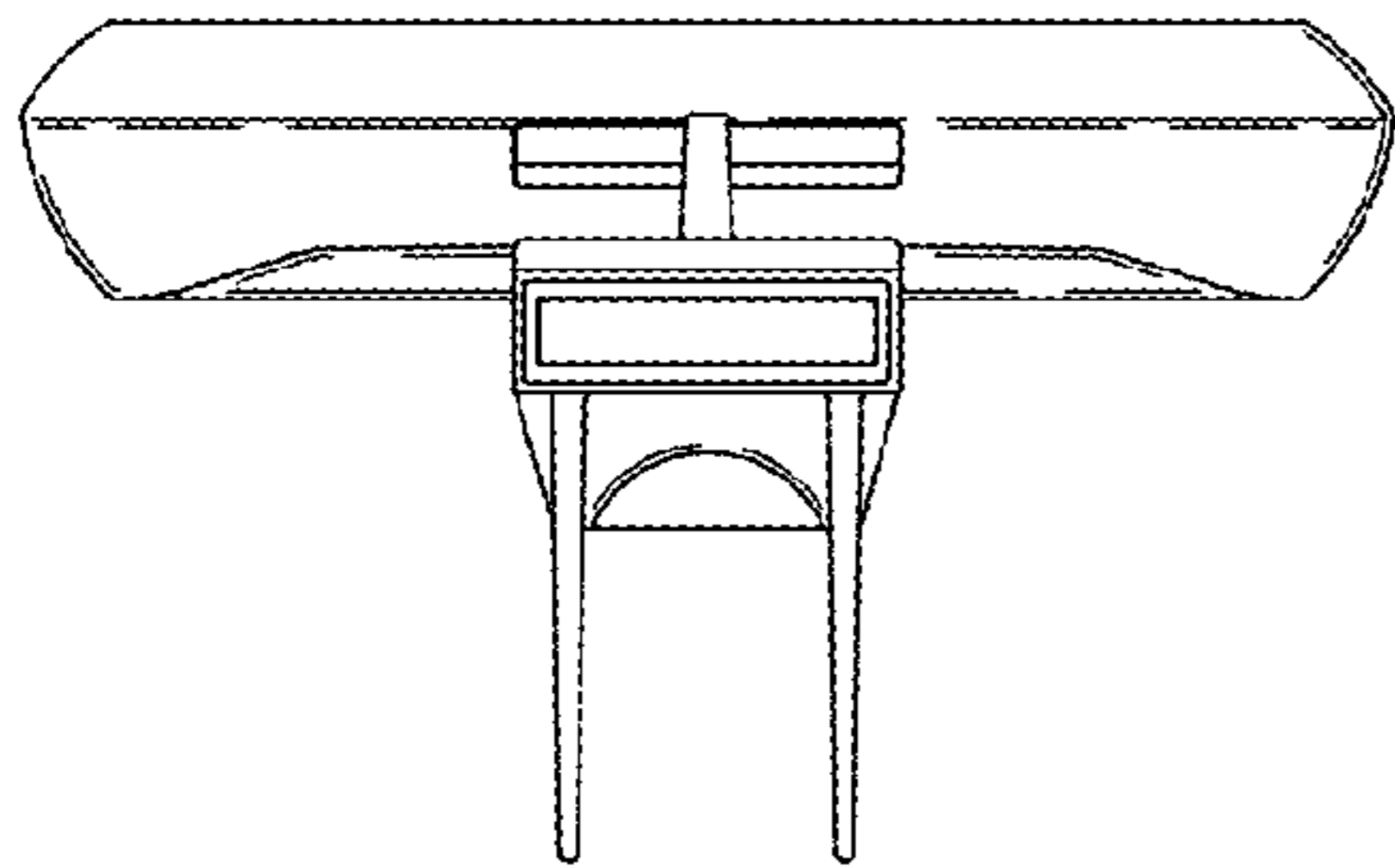


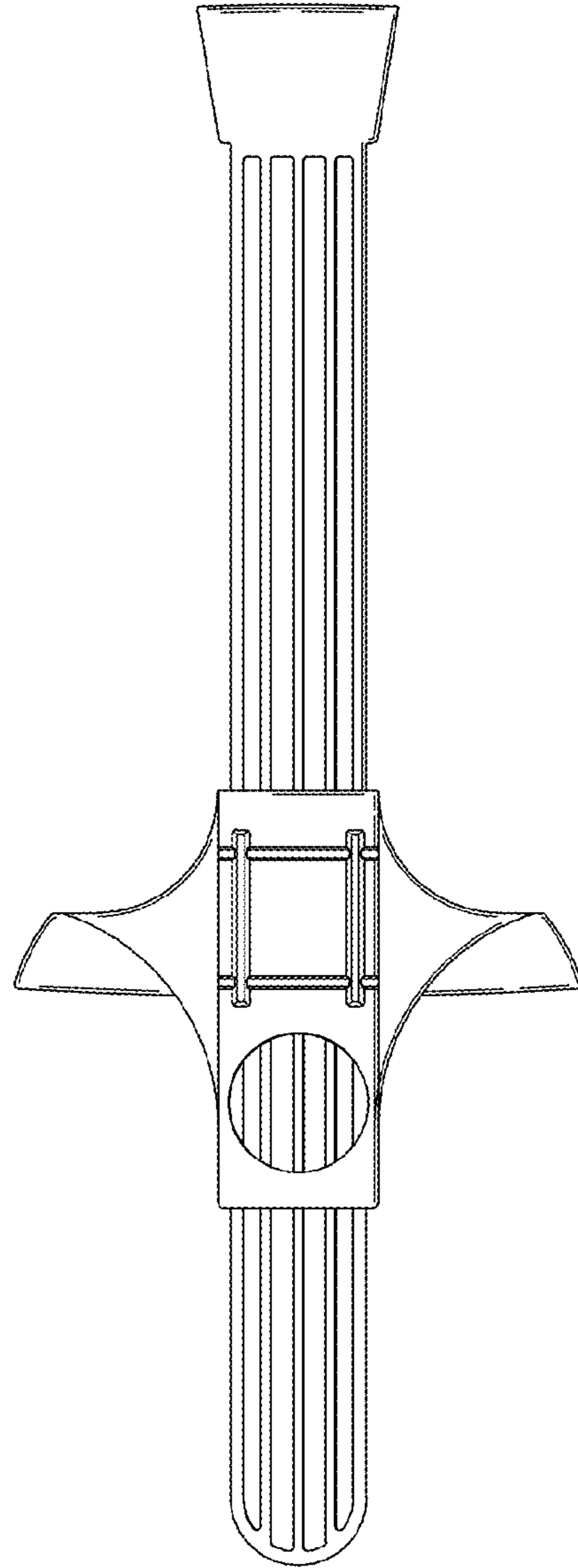
Fig. 3



*Fig. 4*



*Fig. 6*



*Fig. 5*