



US00D748098S

(12) **United States Design Patent**  
**Khodapanah et al.**

(10) **Patent No.:** **US D748,098 S**

(45) **Date of Patent:** **\*\* Jan. 26, 2016**

(54) **MOUNT ACCESSORY FOR AN ELECTRONIC DEVICE**

(71) Applicant: **OTTER PRODUCTS, LLC**, Fort Collins, CO (US)

(72) Inventors: **Tony Khodapanah**, La Jolla, CA (US); **Richard W. Grant, III**, San Diego, CA (US)

(73) Assignee: **OTTER PRODUCTS, LLC**, Fort Collins, CO (US)

(\*\*) Term: **14 Years**

(21) Appl. No.: **29/513,975**

(22) Filed: **Jan. 7, 2015**

(51) **LOC (10) Cl.** ..... **08-07**

(52) **U.S. Cl.**  
USPC ..... **D14/447**

(58) **Field of Classification Search**  
USPC ..... D14/447, 432, 434, 439, 440, 451, 452, D14/457, 250, 251, 253; D3/218; D6/406.3, D6/406.4, 406.5, 406.6  
CPC ..... A45C 2011/003; A45C 2011/002; A45C 13/002; A47B 2023/049; A47B 2097/005; A47B 2097/006; A47B 21/04; A47B 23/00; A47B 23/043; A47B 2021/0307; A47B 2023/005; F16M 2200/00; H04B 1/3888; H04M 1/04; H04M 1/185  
See application file for complete search history.

(56) **References Cited**

U.S. PATENT DOCUMENTS

D587,188 S *	2/2009	Mo	.....	D12/415
D602,025 S *	10/2009	Richter	.....	D14/253
D603,322 S *	11/2009	Nicieja	.....	D12/415
D619,587 S *	7/2010	Richter	.....	D14/253
D654,120 S *	2/2012	Lin	.....	D14/434
D664,952 S *	8/2012	Richter	.....	D14/253
D695,732 S *	12/2013	Baumann	.....	D14/253
D704,713 S *	5/2014	Liniger	.....	D14/447
D709,074 S *	7/2014	Tsui	.....	D14/447
D715,790 S *	10/2014	Conomos	.....	D14/253
D727,333 S *	4/2015	Shih	.....	D14/447
D731,497 S *	6/2015	Xiang	.....	D14/447
D733,157 S *	6/2015	Kim	.....	D14/447

\* cited by examiner

*Primary Examiner* — Angela J Lee

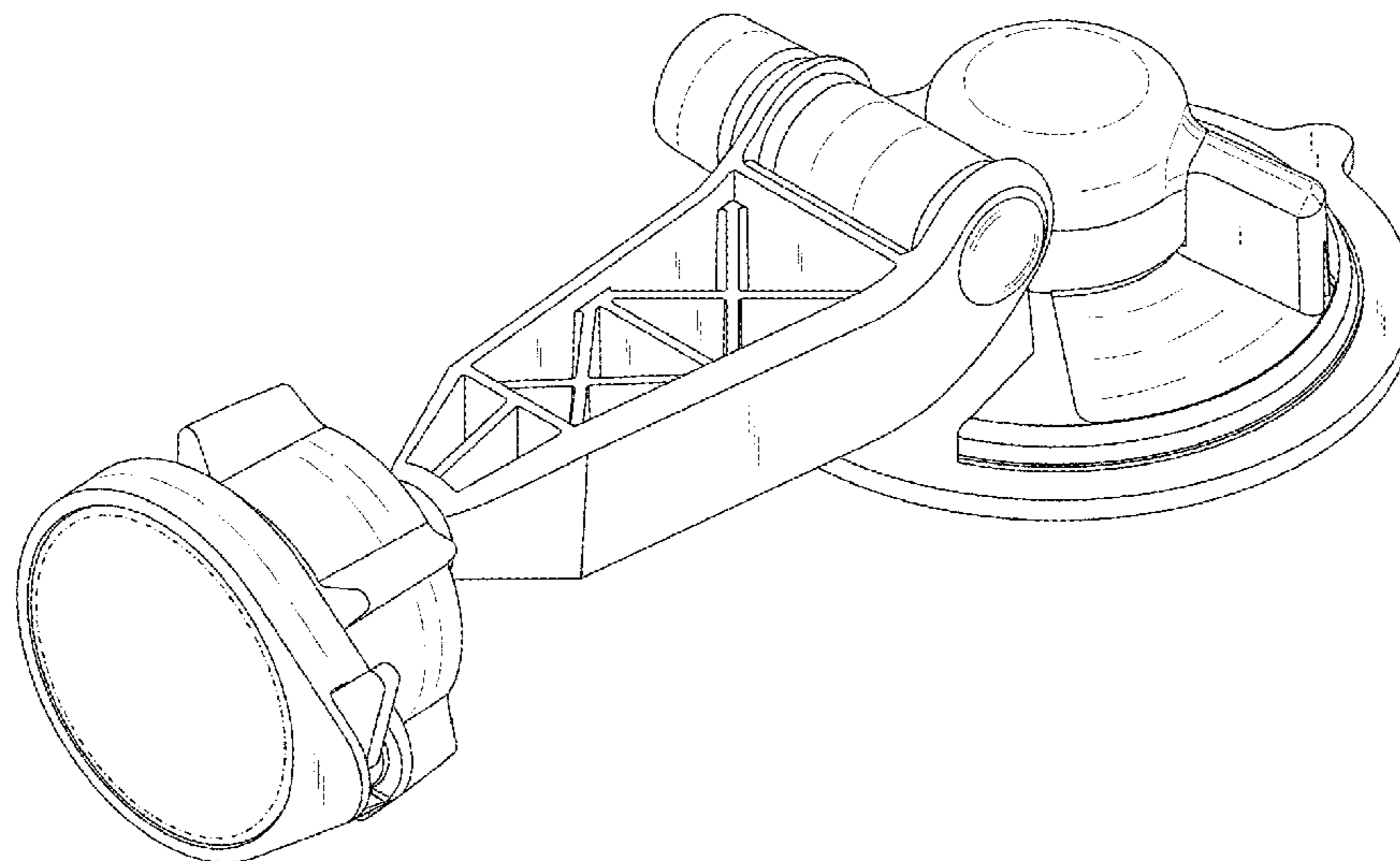
(57) **CLAIM**

The ornamental design for a mount accessory for an electronic device, as shown and described.

**DESCRIPTION**

FIG. 1 is a front isometric view of a mount accessory for an electronic device showing our new design; FIG. 2 is a rear isometric view thereof; FIG. 3 is a rear view thereof; FIG. 4 is a front view thereof; FIG. 5 is a top view thereof; and, FIG. 6 is a bottom view thereof.

**1 Claim, 4 Drawing Sheets**



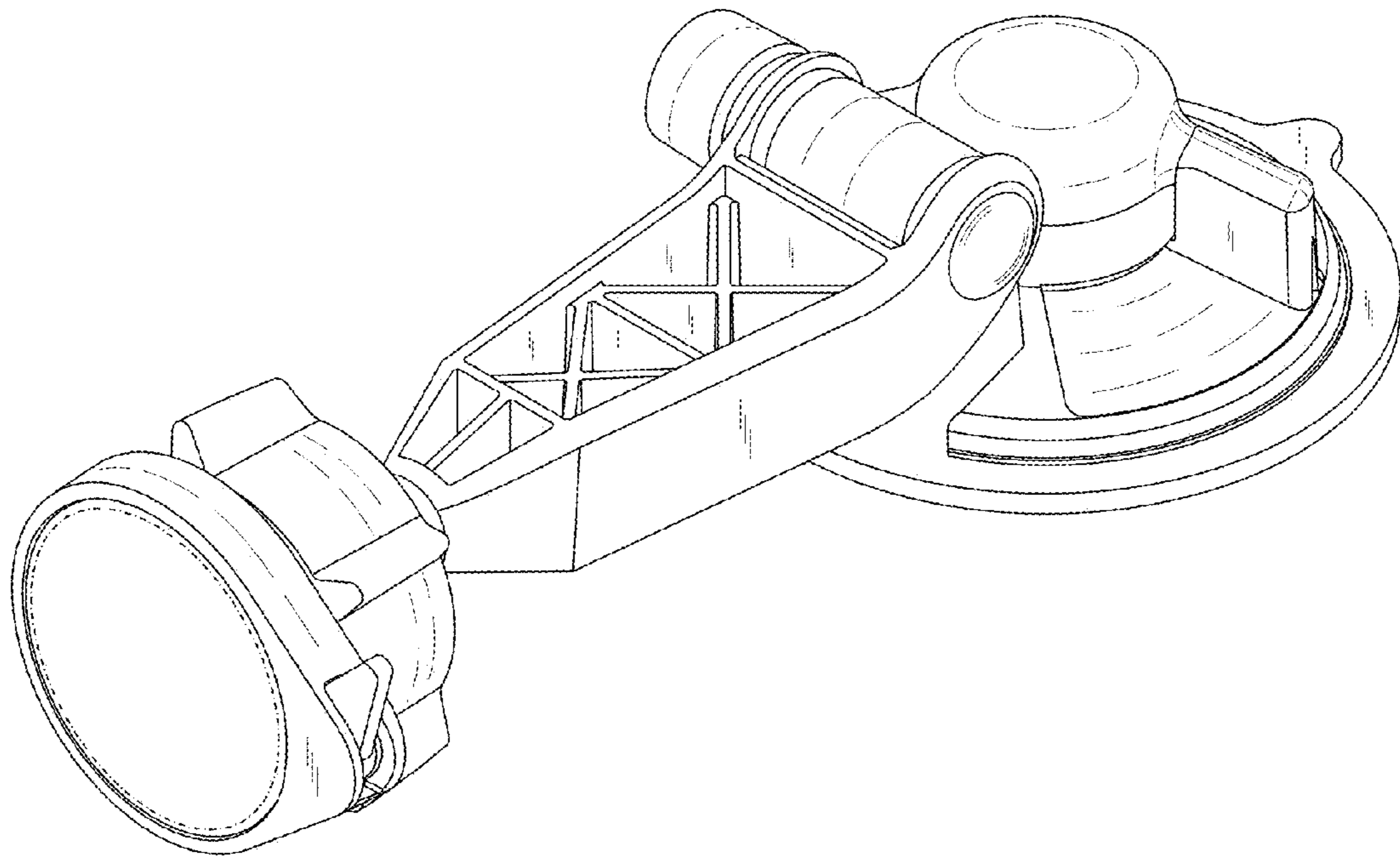


FIG. 1

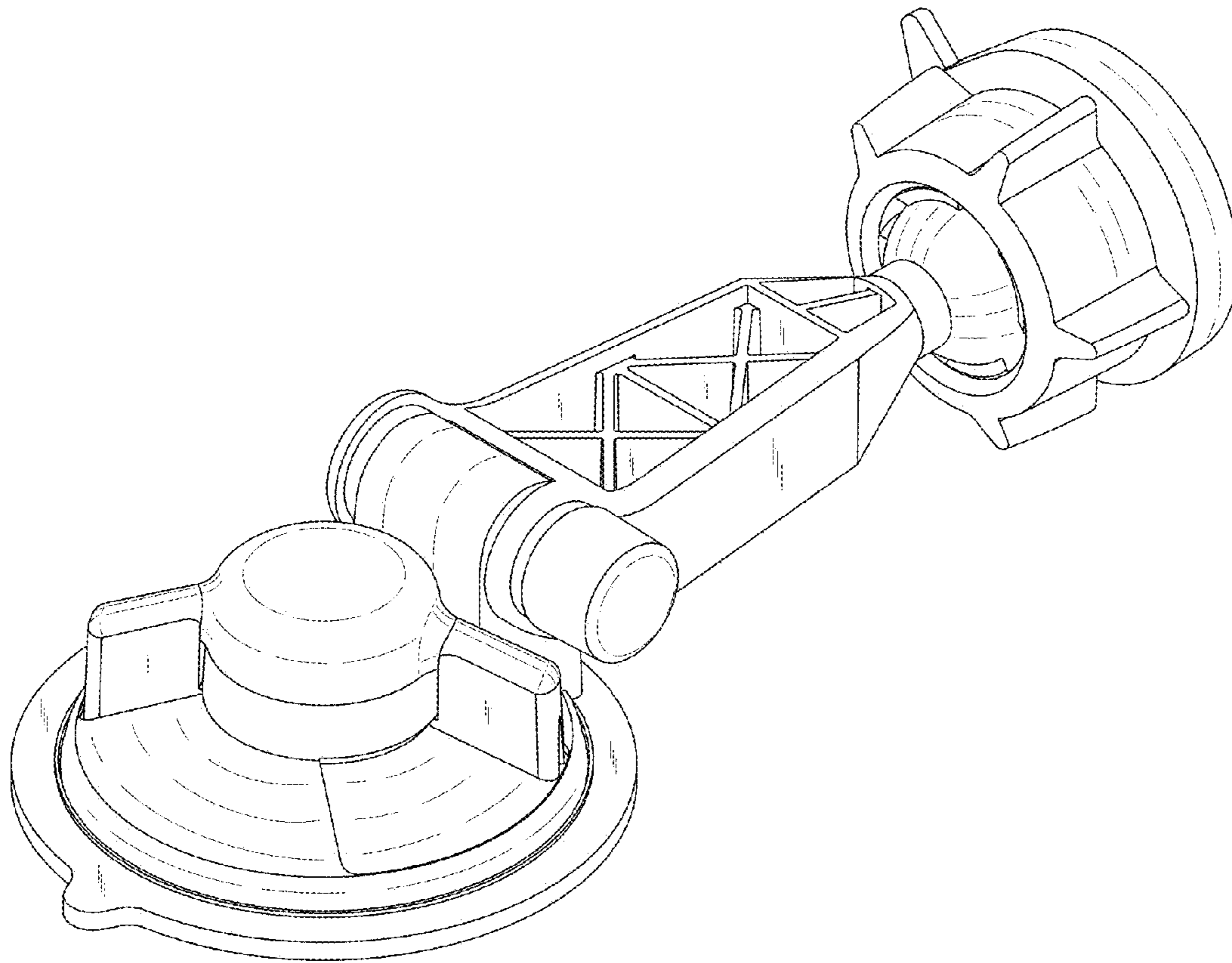


FIG. 2

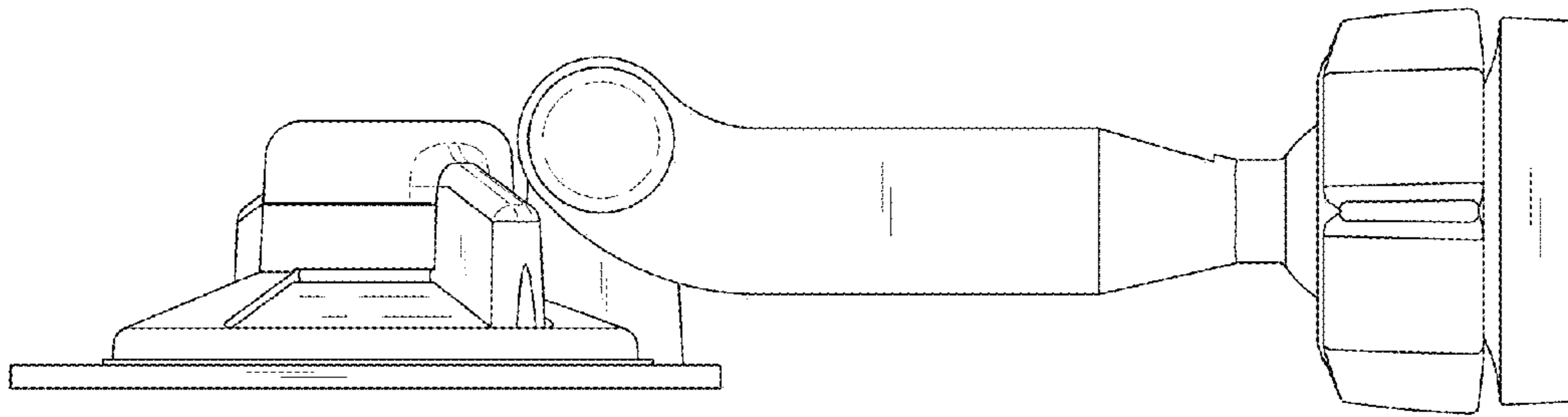


FIG. 3

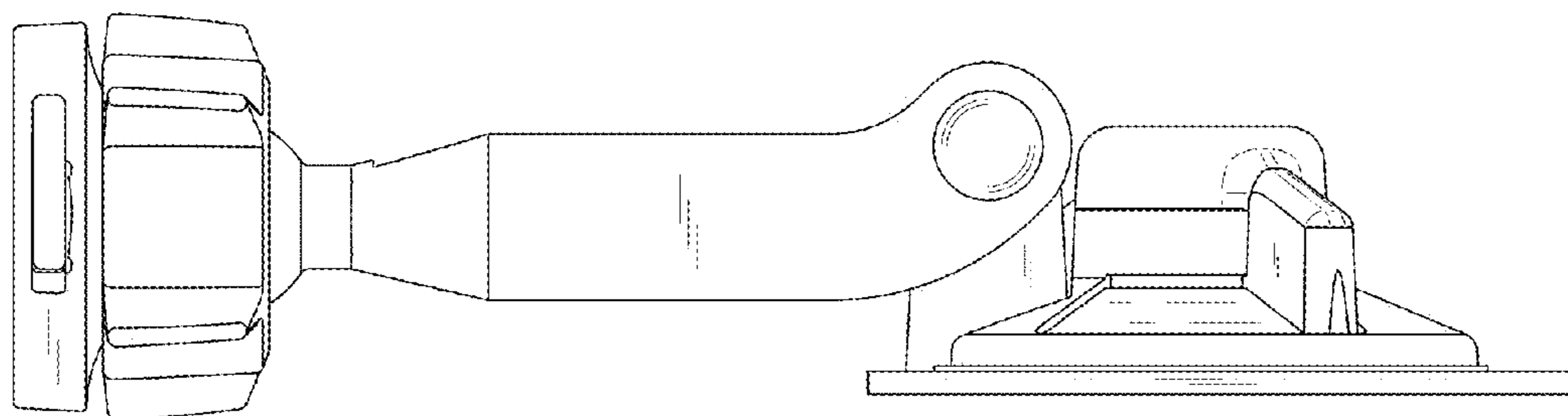


FIG. 4

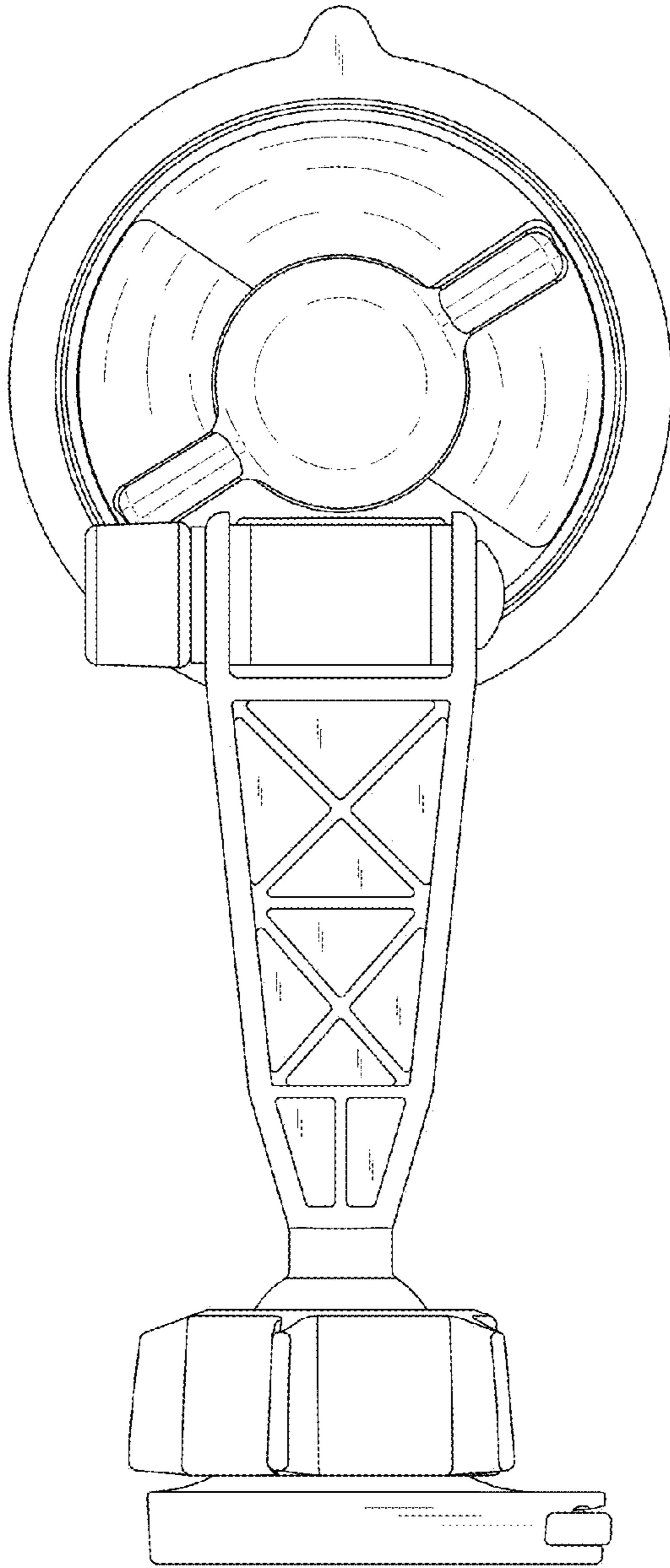


FIG. 5

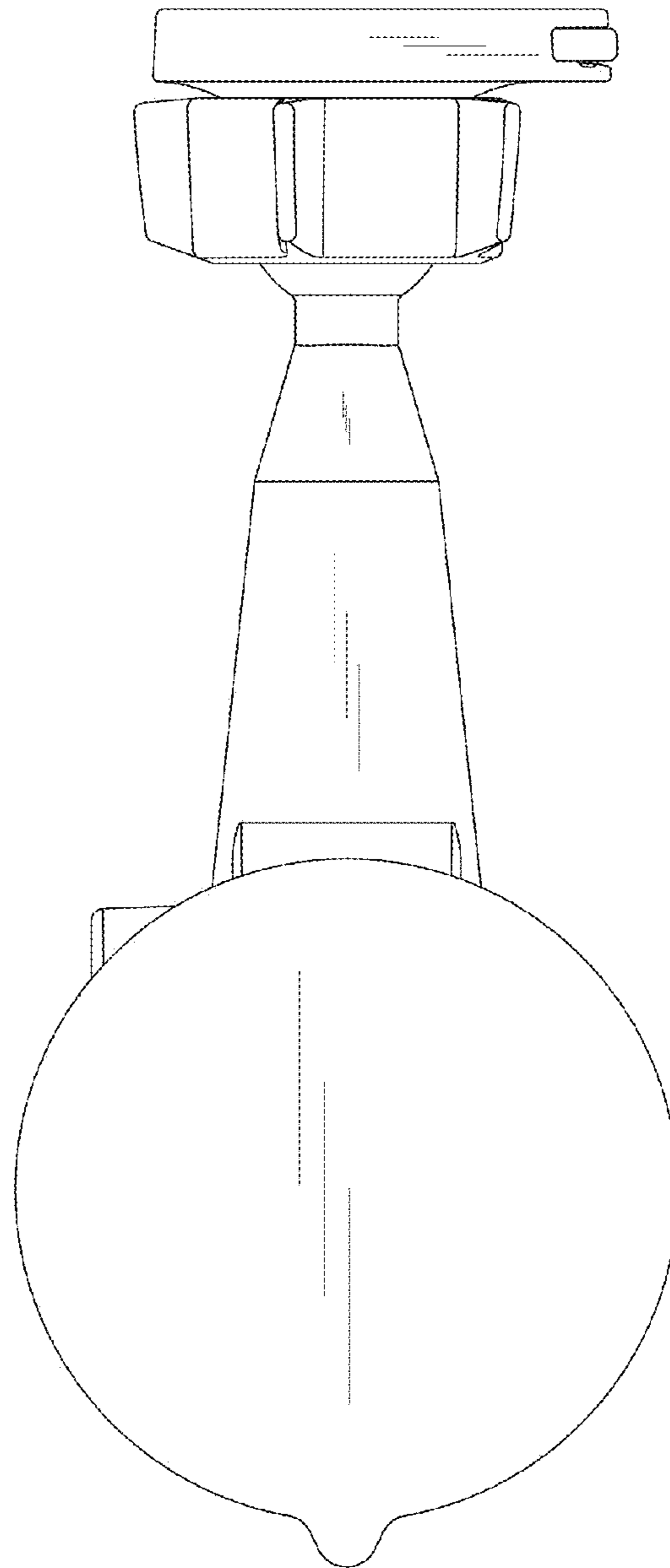


FIG. 6