



US00D748094S

(12) **United States Design Patent**
Mecchella et al.

(10) **Patent No.:** **US D748,094 S**
(45) **Date of Patent:** **** Jan. 26, 2016**

- (54) **KEYBOARD**
- (71) Applicant: **Amazon Technologies, Inc.**, Seattle, WA (US)
- (72) Inventors: **Monica Liane Mecchella**, San Francisco, CA (US); **Jesse Wheeler Moore**, Oakland, CA (US); **Christopher Green**, San Francisco, CA (US)
- (73) Assignee: **Amazon Technologies, Inc.**, Seattle, WA (US)
- (**) Term: **14 Years**
- (21) Appl. No.: **29/502,365**
- (22) Filed: **Sep. 15, 2014**
- (51) **LOC (10) Cl.** **14-02**
- (52) **U.S. Cl.**
USPC **D14/391**
- (58) **Field of Classification Search**
USPC D14/240, 138, 318, 341, 391-399, 443, D14/455, 456; D18/1, 2, 7, 11; 178/17 A, 178/17 C; 200/5 A, 5 R, 6 A, 6 R; 235/145 A, 235/145 R; 341/20-23; 345/156, 160, 168, 345/169, 173; 361/679.08, 679.09, 361/679.11-679.19; 400/484-489, 492, 400/472
CPC G06F 1/16; G06F 1/1616; G06F 1/162; G06F 1/1601; G06F 1/1626; G09B 13/04; H03M 11/00; H03K 17/94; H05K 5/00; H01H 3/125; H01H 13/705
See application file for complete search history.

- D643,037 S * 8/2011 Liang D14/391
- D682,832 S * 5/2013 Smith et al. D14/391
- D688,242 S * 8/2013 Smith et al. D14/391

OTHER PUBLICATIONS

The Canadian Office Action mailed May 28, 2015 for Canadian design application No. 161053, a counterpart foreign application of Design U.S. Appl. No. 29/502,365, 2 pages.
Translated Indian Office Action mailed Jun. 5, 2015 for Indian design application No. 270270, a counterpart foreign application of Design U.S. Appl. No. 29/502,365, 27 pages.
The Japanese Office Action mailed Aug. 28, 2015 for Japanese design application No. 2015-004374, a counterpart foreign application of Design U.S. Appl. No. 29/502,365, 5 pages.

* cited by examiner

Primary Examiner — Freda S Nunn
(74) *Attorney, Agent, or Firm* — Lee & Hayes, PLLC

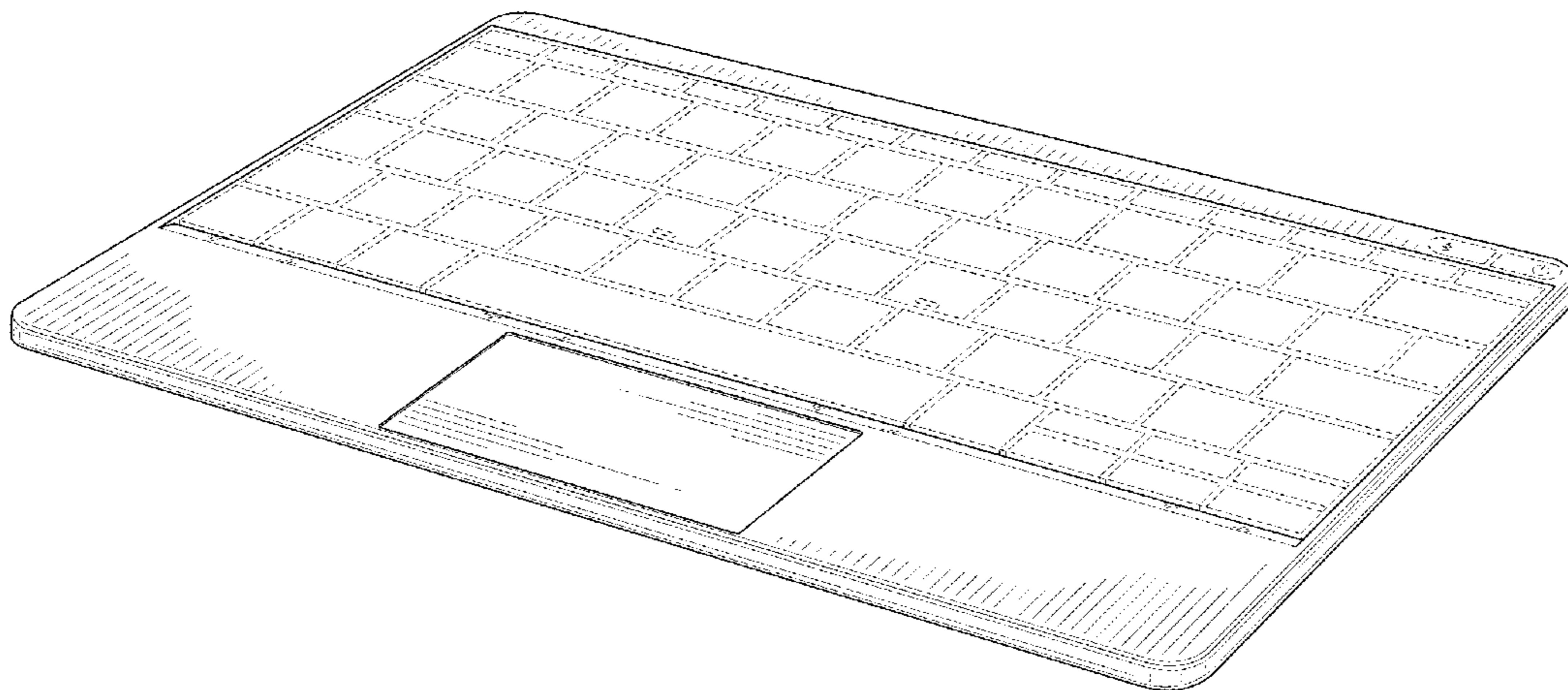
(57) **CLAIM**
The ornamental design for a keyboard, as shown and described.

DESCRIPTION

FIG. 1 is a perspective view of a keyboard;
FIG. 2 is another perspective view of the keyboard of FIG. 1;
FIG. 3 is a top view of the keyboard of FIG. 1;
FIG. 4 is a bottom view of the keyboard of FIG. 1;
FIG. 5 is a left-side view of the keyboard of FIG. 1;
FIG. 6 is a right-side view of the keyboard of FIG. 1;
FIG. 7 is a back view of the keyboard of FIG. 1; and
FIG. 8 is a front view of the keyboard of FIG. 1.
The broken lines are directed to unclaimed portions and form no part of the claimed design.

- (56) **References Cited**
U.S. PATENT DOCUMENTS
D601,148 S * 9/2009 Akita D14/391

1 Claim, 5 Drawing Sheets



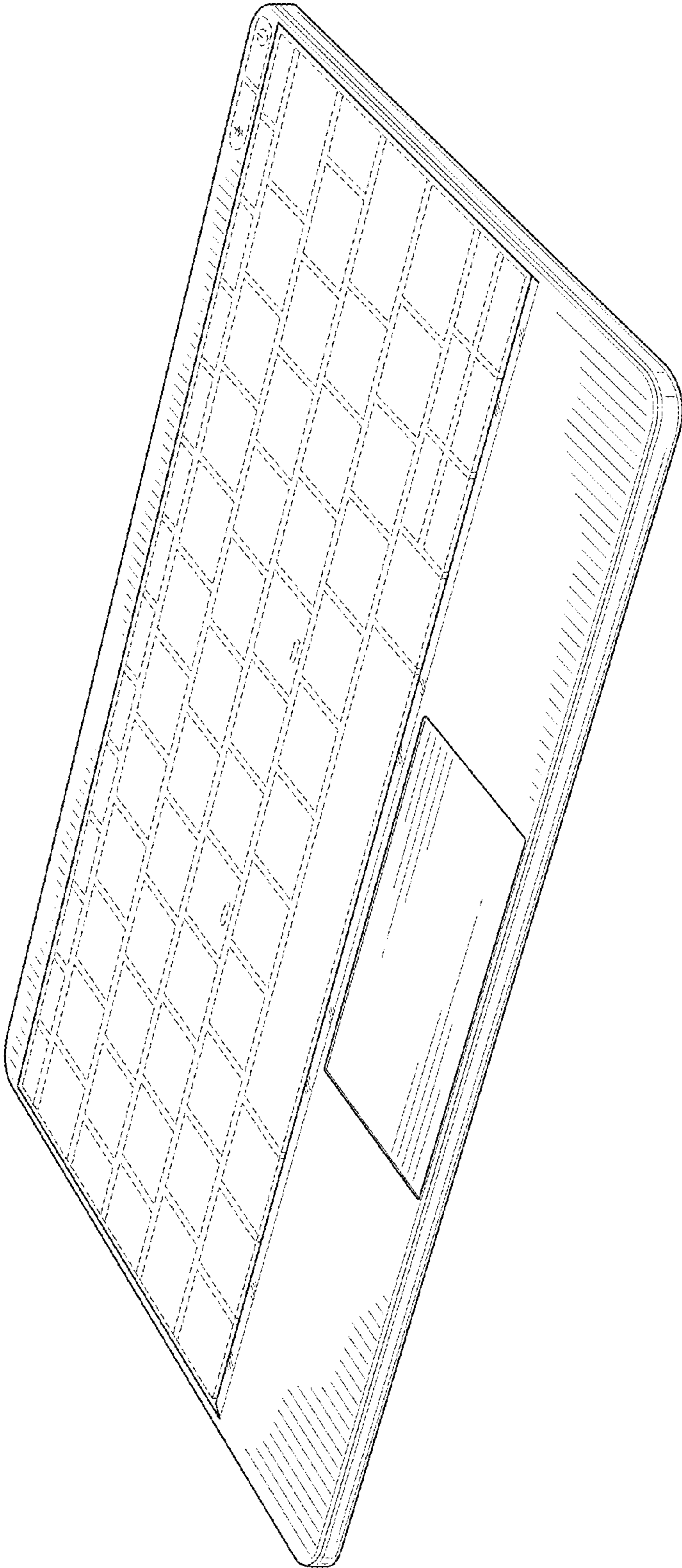


FIG. 1

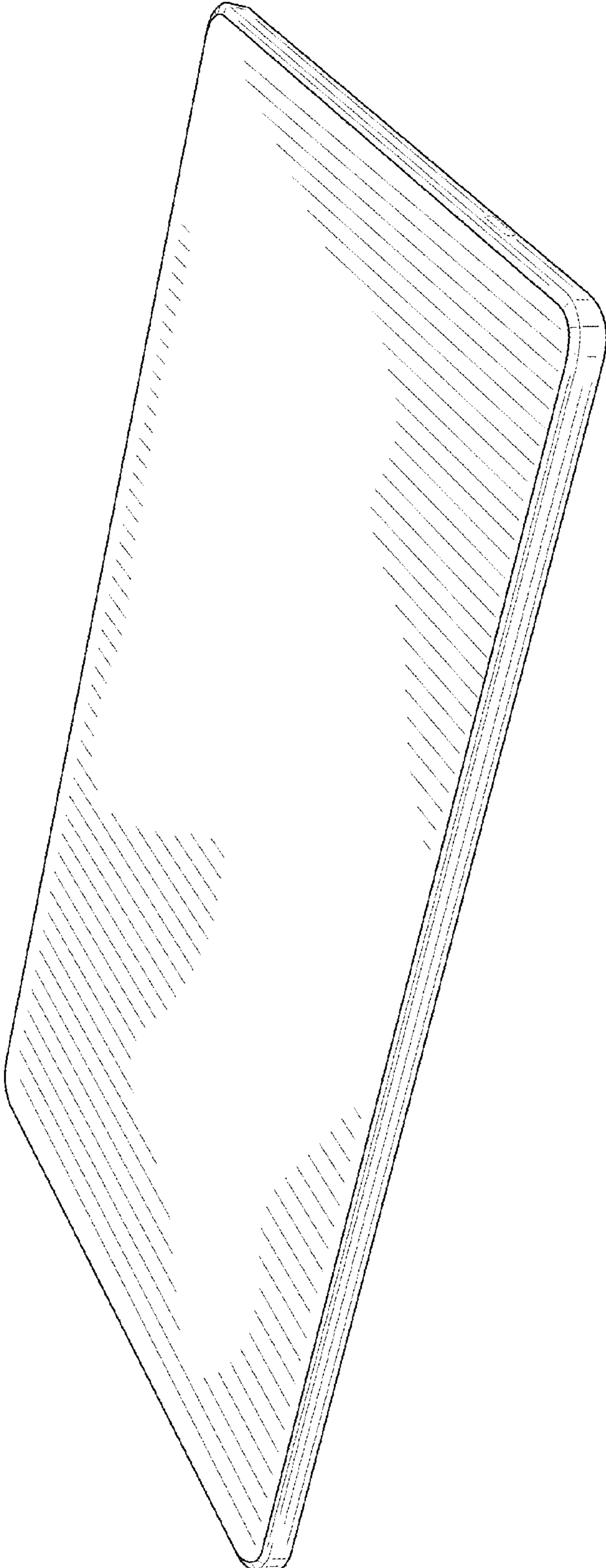


FIG. 2

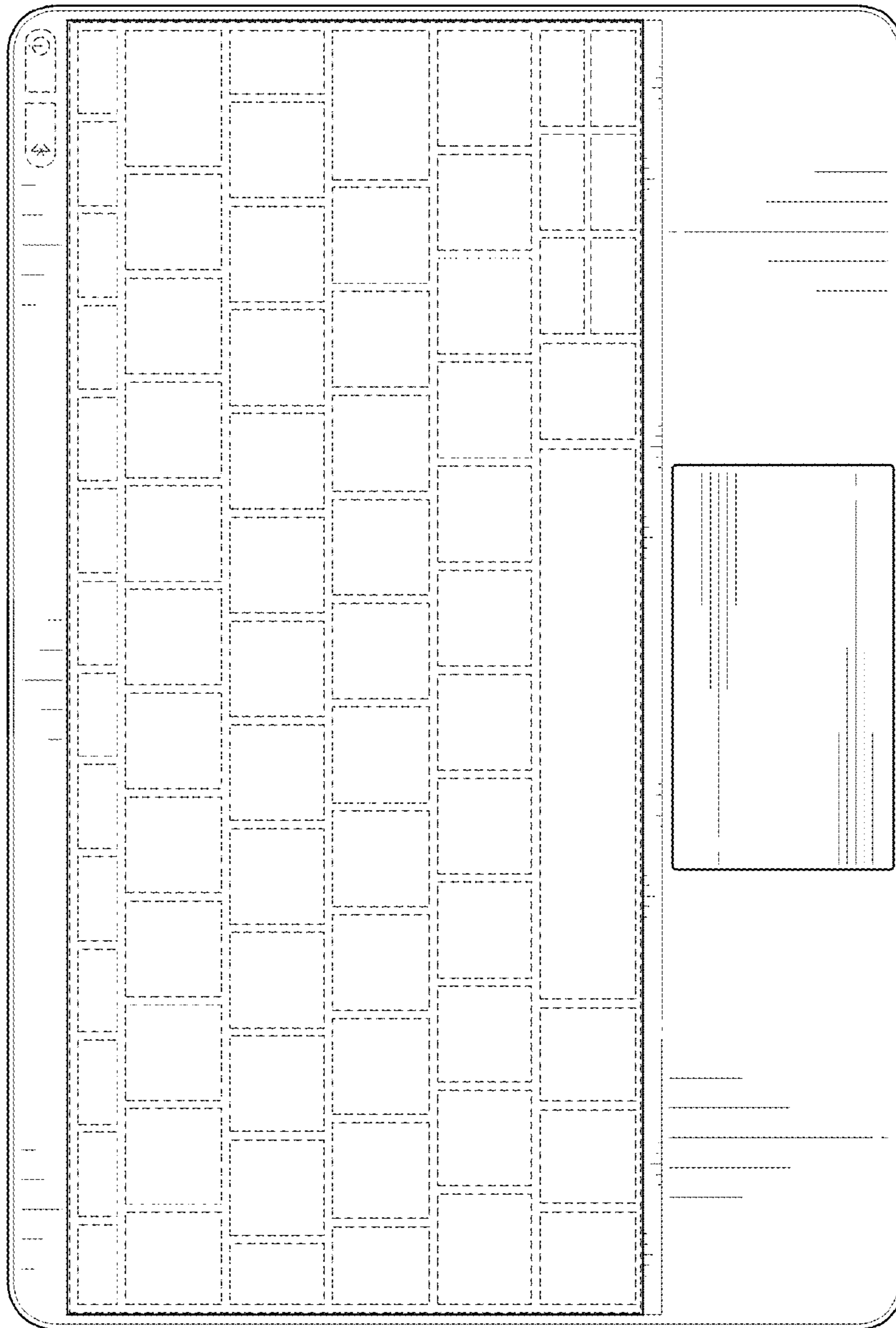


FIG. 3

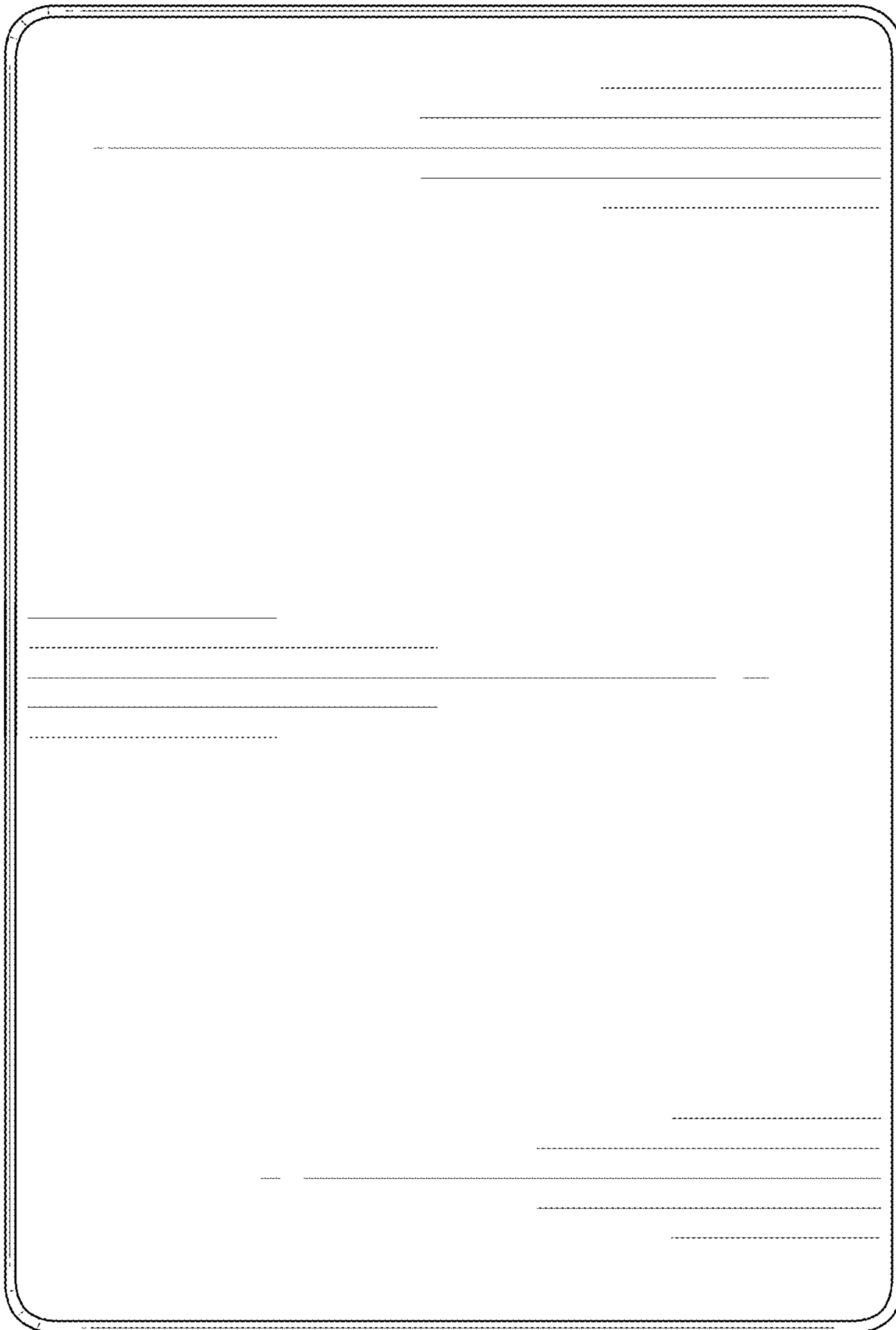


FIG. 4

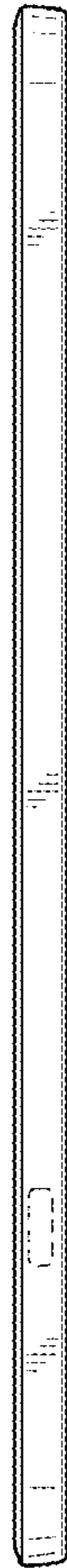


FIG. 5



FIG. 6

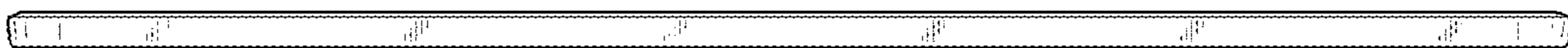


FIG. 7

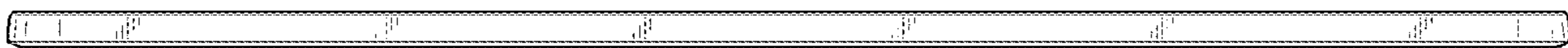


FIG. 8