



US00D748093S

(12) **United States Design Patent**
Russette et al.

(10) **Patent No.:** **US D748,093 S**
(45) **Date of Patent:** **** Jan. 26, 2016**

(54) **DATA STORAGE TRANSFER ARCHIVE
REPOSITORY**

D447,746 S * 9/2001 Tonozuka D14/348
D448,033 S 9/2001 Anderson et al.
D455,422 S * 4/2002 Bath D14/301

(71) Applicant: **BAE Systems Information And
Electronic Systems Integration Inc.,
Nashua, NH (US)**

(Continued)

FOREIGN PATENT DOCUMENTS

(72) Inventors: **Andrew R. Russette**, Silver Spring, MD
(US); **Aaron R. Oberste**, Severn, MD
(US); **Alexa D. Oberste**, Severn, MD
(US)

WO 03103359 12/2003
WO 2005124504 12/2005

Primary Examiner — Rosemary K Tarcza
Assistant Examiner — Nathaniel D Buckner

(73) Assignee: **BAE Systems Information and
Electronic Systems Integration Inc.,
Nashua, NH (US)**

(74) *Attorney, Agent, or Firm* — Sand & Sebolt

(**) Term: **14 Years**

(57) **CLAIM**

The ornamental design for an data storage transfer archive repository, as shown and described.

(21) Appl. No.: **29/496,221**

DESCRIPTION

(22) Filed: **Jul. 10, 2014**

(51) **LOC (10) Cl.** **14-02**

(52) **U.S. Cl.**
USPC **D14/356**

(58) **Field of Classification Search**
USPC D14/300–302, 314, 348–370, 383–385,
D14/435, 496, 135, 155, 299, 180, 140.4;
D13/103, 119, 162, 184, 199; D10/65,
D10/75, 78; D9/432, 434; D3/273
CPC G11B 20/1833; G11B 33/125; G11B
33/128; G06F 1/187; G06F 1/20; G06F
3/0689

See application file for complete search history.

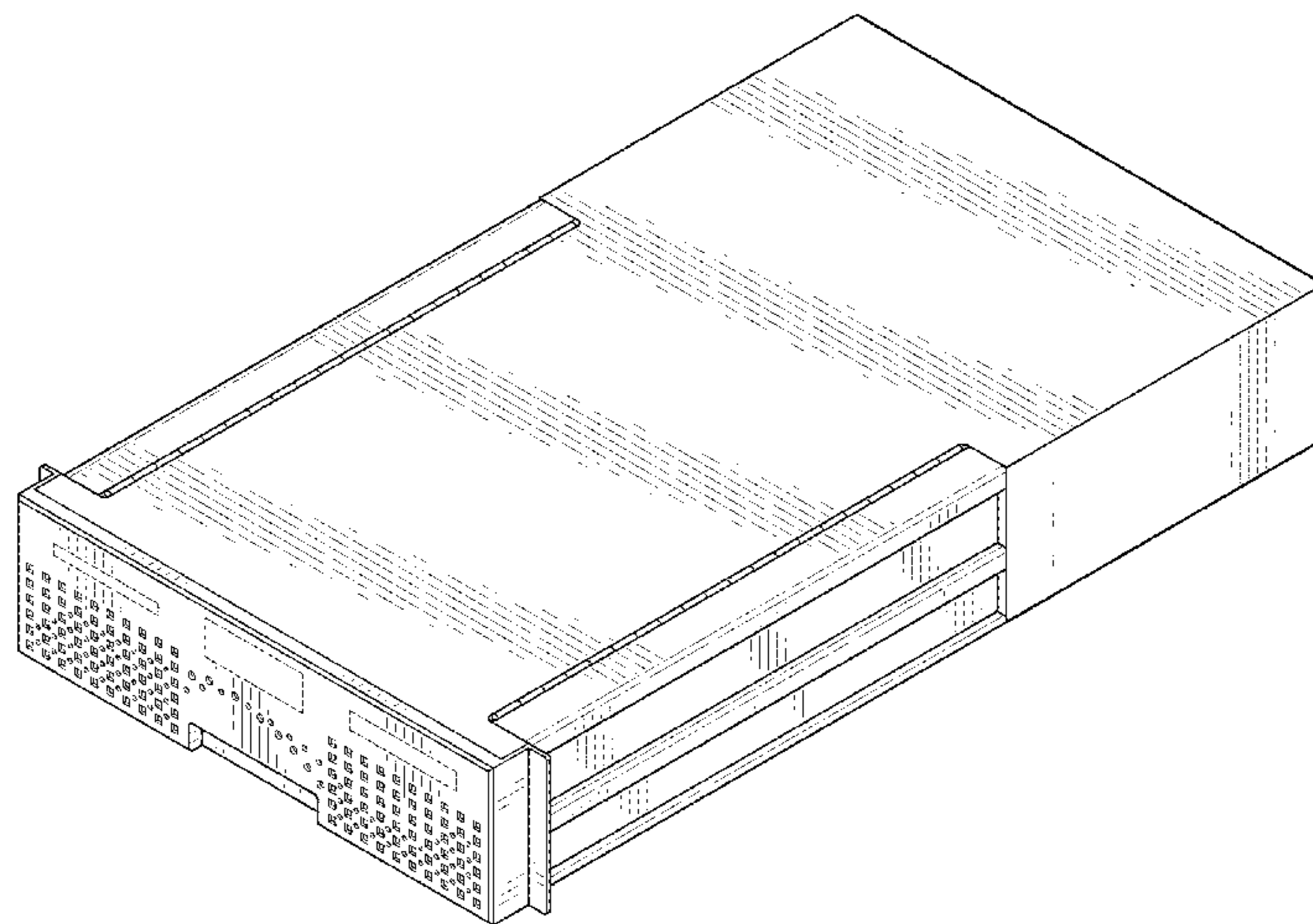
FIG. 1 is a perspective view of a data storage transfer archive repository showing our new design;
FIG. 2 is a second perspective view thereof, showing the locations of detail views FIGS. 2A-2C;
FIG. 2A is an enlarged detail view thereof;
FIG. 2B is a second enlarged detailed view thereof;
FIG. 2C is a third enlarged detailed view thereof;
FIG. 3 is a front elevation view thereof;
FIG. 4 is top plan view thereof;
FIG. 5 is a right side elevation view thereof;
FIG. 6 is a left side elevation view thereof.
FIG. 7 is a perspective view of a data storage transfer archive repository showing a second embodiment of our new design;
FIG. 8 is a second perspective view thereof, showing the locations of detail views FIGS. 8A-8C;
FIG. 8A is an enlarged detail view thereof;
FIG. 8B is a second enlarged detailed view thereof;
FIG. 8C is a third enlarged detailed view thereof;
FIG. 9 is a front elevation view thereof;
FIG. 10 is top plan view thereof;
FIG. 11 is a right side elevation view thereof; and,
FIG. 12 is a left side elevation view thereof.

(56) **References Cited**

U.S. PATENT DOCUMENTS

D208,859 S * 10/1967 Dublin et al. D13/184
D307,423 S 4/1990 Hill
5,515,515 A 5/1996 Kennedy et al.
5,913,926 A 6/1999 Anderson et al.
D431,241 S * 9/2000 Armstrong D14/348
D433,382 S * 11/2000 Lytel D13/123

1 Claim, 16 Drawing Sheets



(56)

References Cited

U.S. PATENT DOCUMENTS

D456,022 S *	4/2002	Dodson	D14/355	D561,766 S	2/2008	Deng	
6,535,381 B2	3/2003	Jahne et al.			7,362,566 B1	4/2008	Sivertsen	
6,606,253 B2	8/2003	Jackson et al.			7,420,800 B1	9/2008	Knapp et al.	
6,636,917 B1	10/2003	Linares et al.			D590,403 S	4/2009	Wang et al.	
6,724,617 B2	4/2004	Amaiike et al.			D608,776 S *	1/2010	Kang D14/301
D490,081 S *	5/2004	Oura	D14/358	7,848,109 B2	12/2010	Barringer et al.	
D495,699 S *	9/2004	Oura	D14/356	8,244,942 B2	8/2012	Dean et al.	
D495,701 S *	9/2004	Murakami	D14/356	D676,039 S *	2/2013	Wallace D14/313
D512,059 S *	11/2005	Zhang	D14/348	D679,272 S *	4/2013	Frost D14/313
D523,023 S *	6/2006	Hsiung	D14/168	8,451,600 B1	5/2013	Ross	
D527,390 S *	8/2006	Millar	D13/184	8,477,488 B2	7/2013	Aldridge	
D532,418 S *	11/2006	Crisp	D14/313	8,644,020 B2	2/2014	Lau et al.	
7,145,775 B2	12/2006	Barsun et al.			D735,185 S *	7/2015	Terwilliger D14/313
D536,674 S *	2/2007	Millar	D13/184	D735,186 S *	7/2015	Terwilliger D14/313
D537,077 S *	2/2007	Ishitsuka	D14/362	2012/0026668 A1	2/2012	Landon	
7,187,547 B1	3/2007	French et al.			2012/0049706 A1	3/2012	Cottuli et al.	
D553,616 S *	10/2007	Tosh	D14/301	2012/0212899 A1	8/2012	Michael et al.	
7,295,444 B1	11/2007	Wang			2012/0243172 A1	9/2012	Ross et al.	
7,298,612 B2	11/2007	Malone			2013/0322012 A1	12/2013	Dunwoody et al.	
7,309,279 B2	12/2007	Sharp et al.			2014/0027393 A1	1/2014	Elwany	
					2014/0029196 A1	1/2014	Smith	
					2014/0036450 A1	2/2014	Facusse et al.	
					2014/0055944 A1	2/2014	McCabe et al.	

* cited by examiner

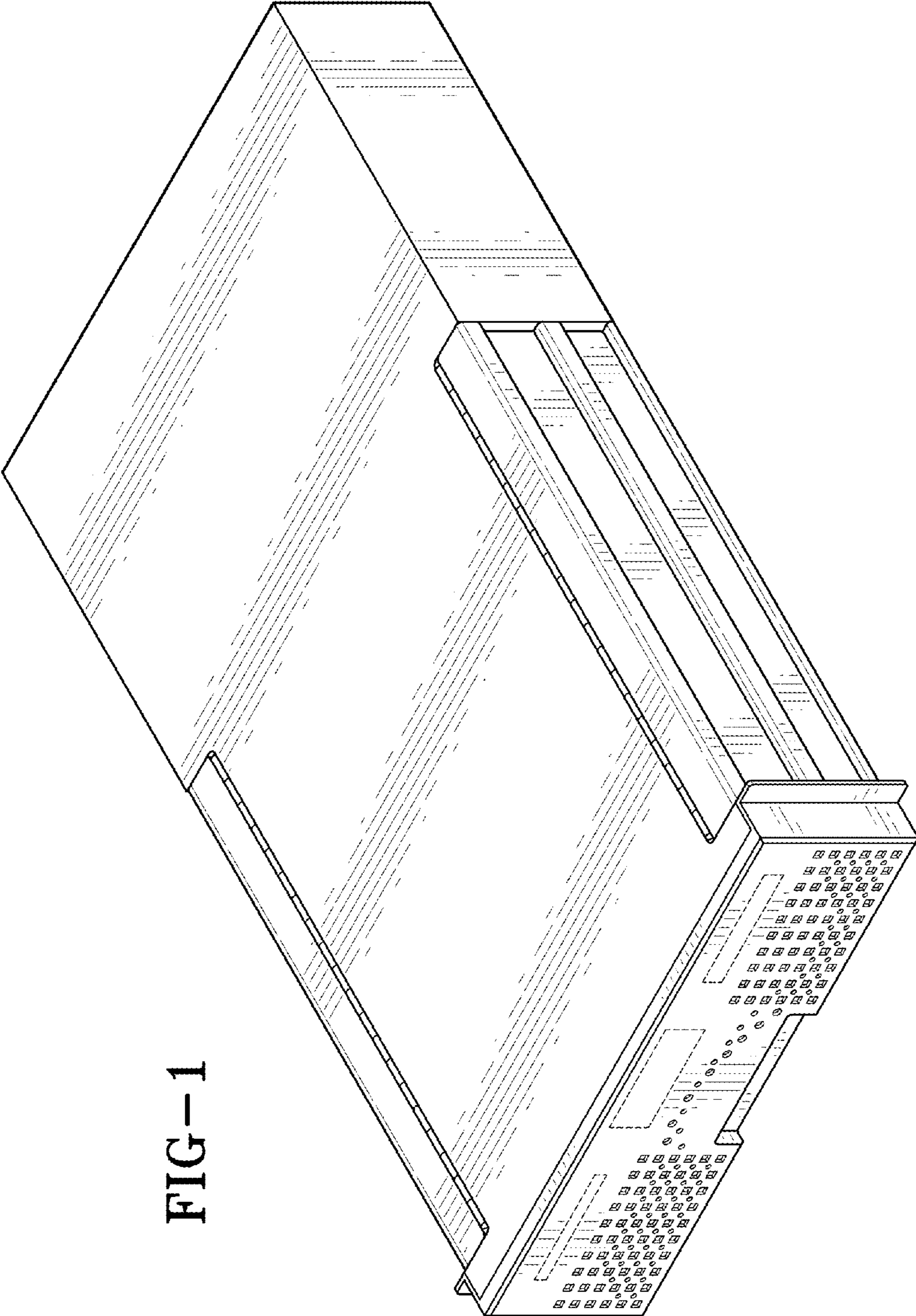
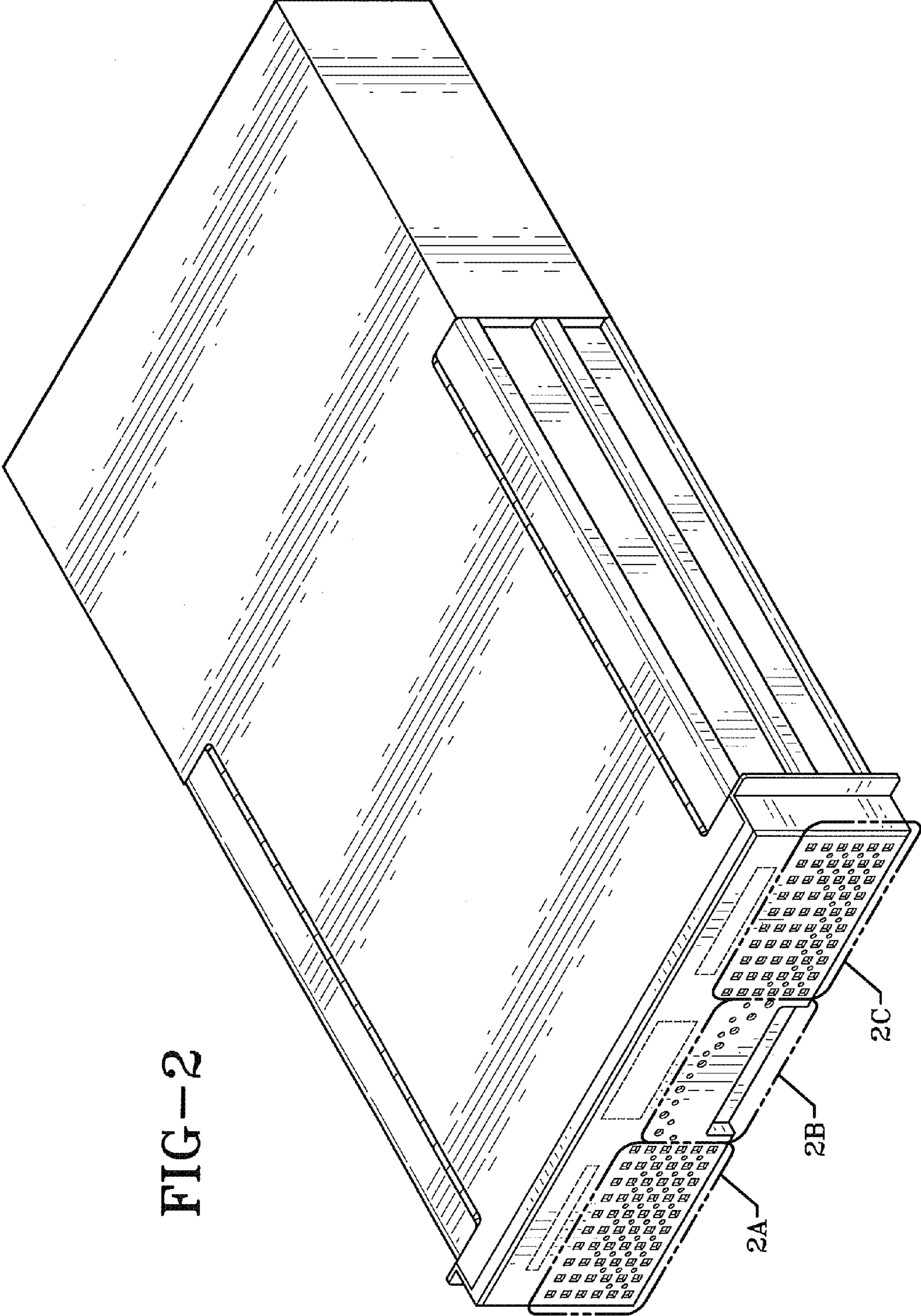


FIG-1



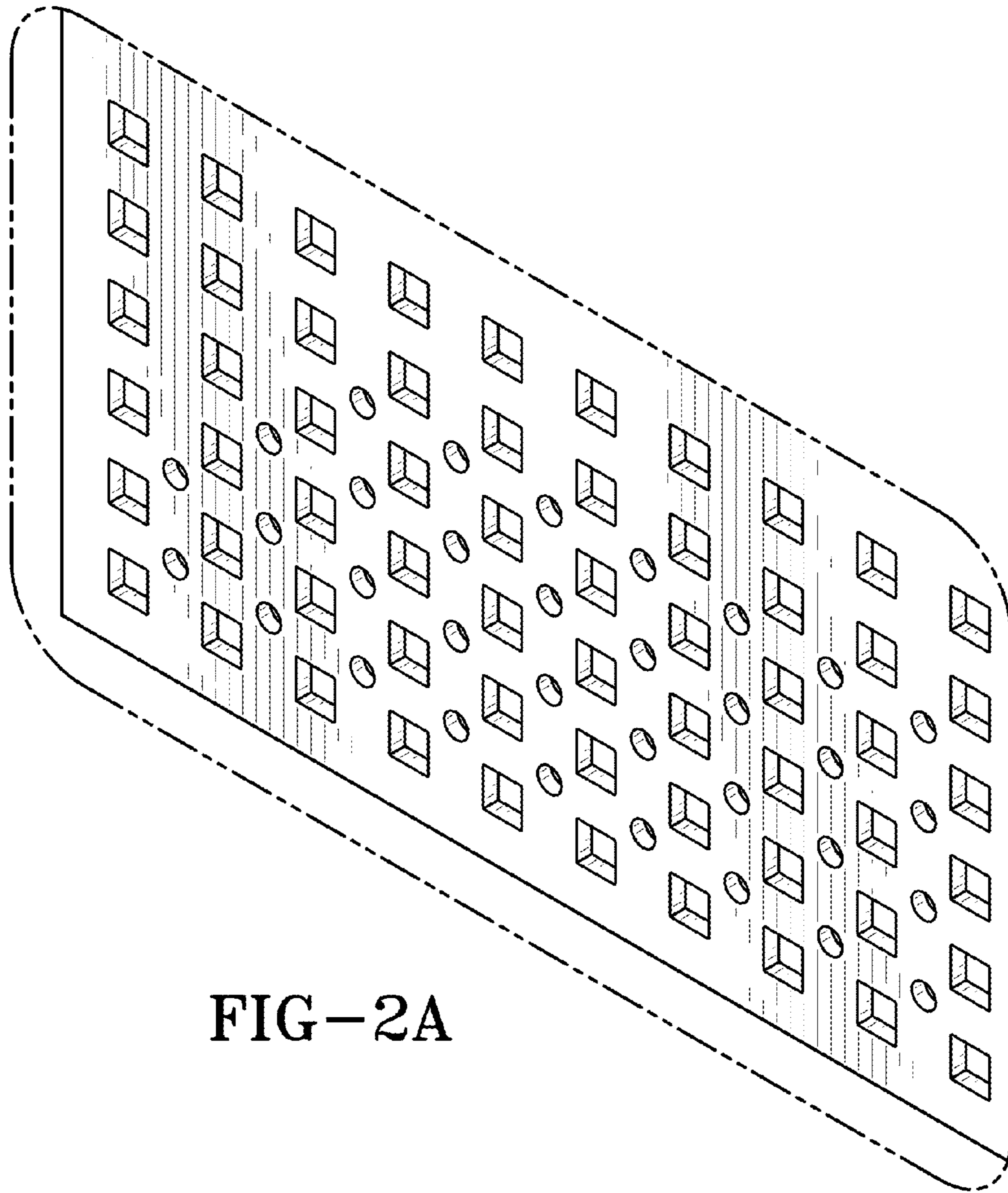


FIG-2A

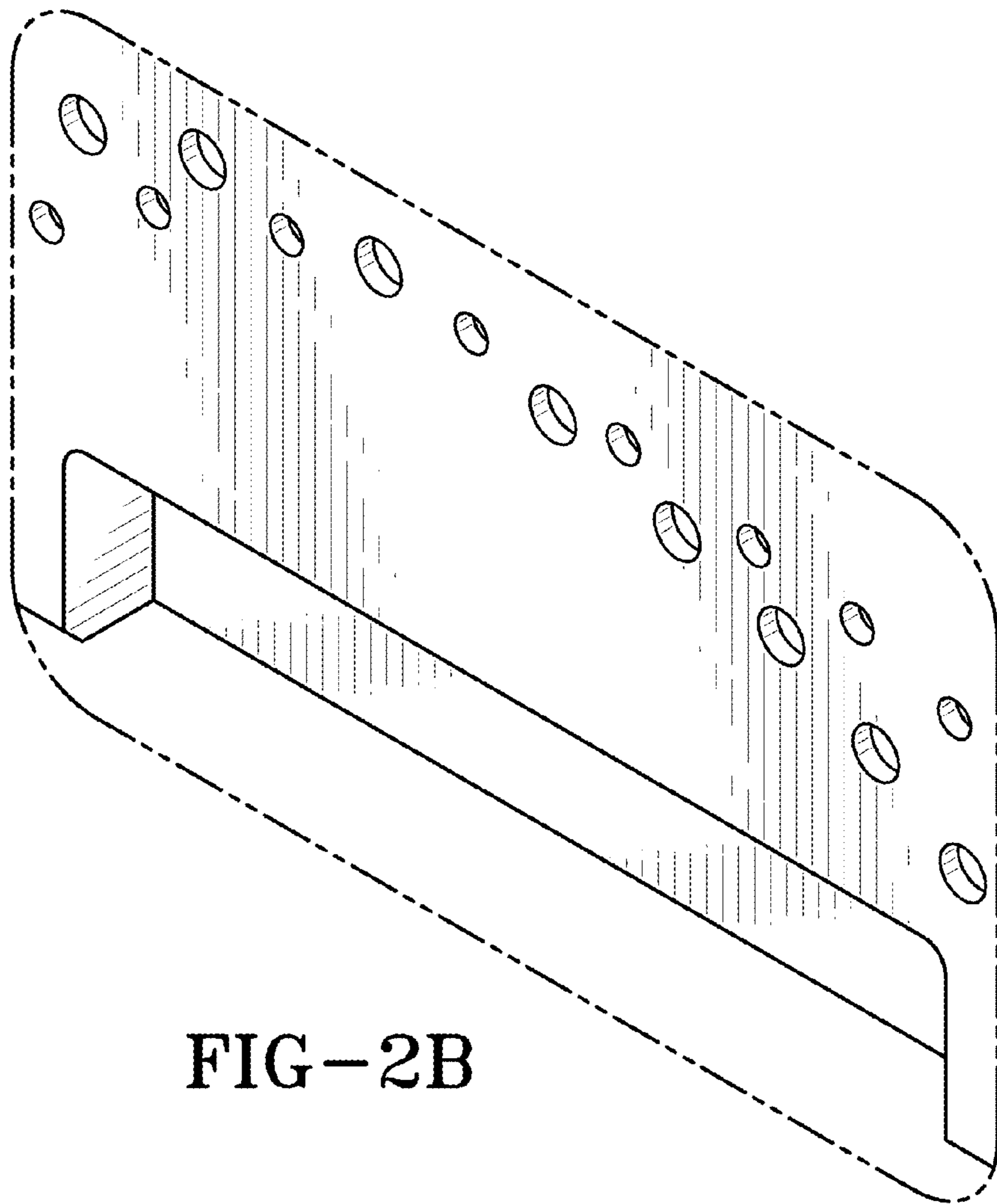


FIG-2B

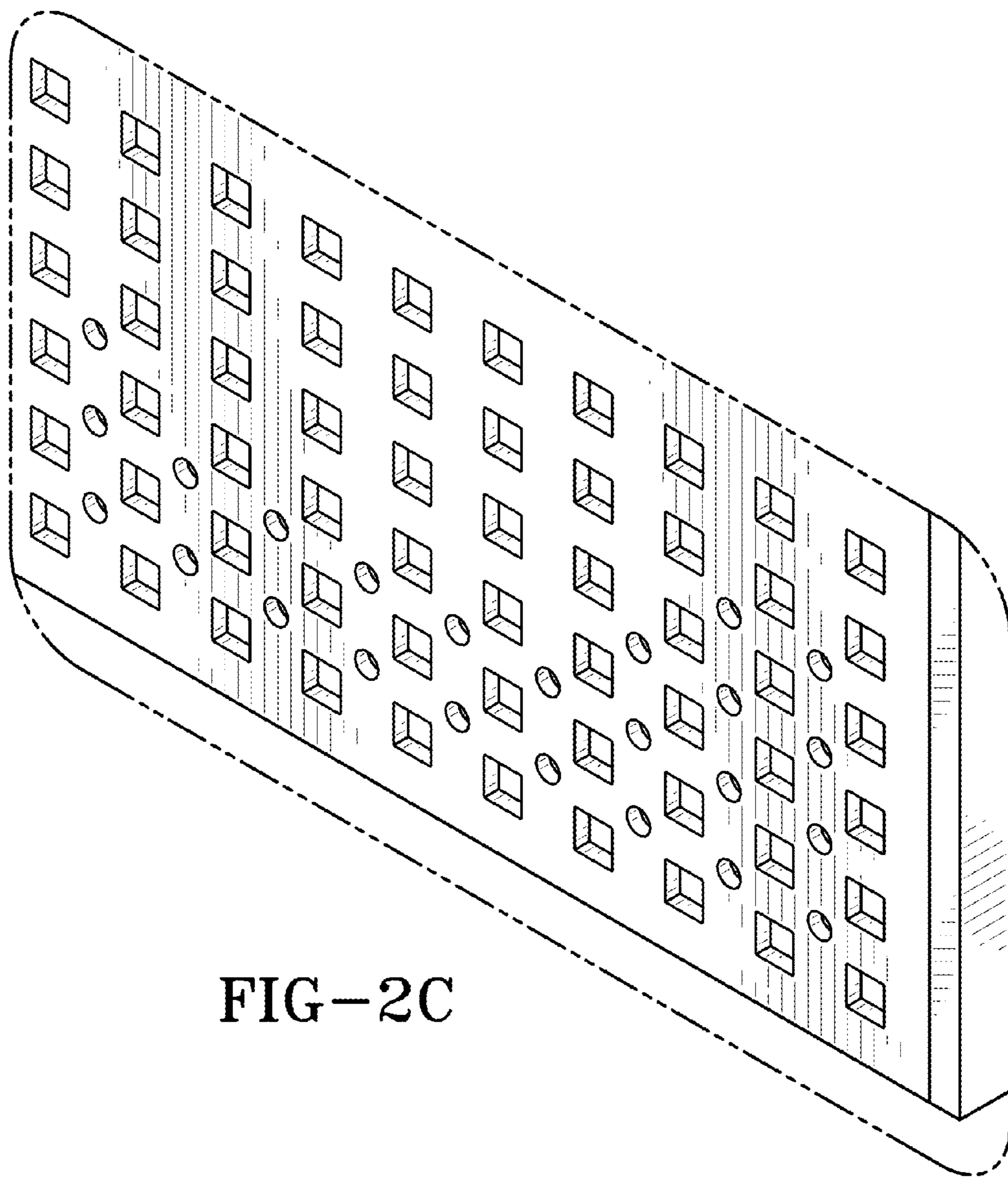


FIG-2C

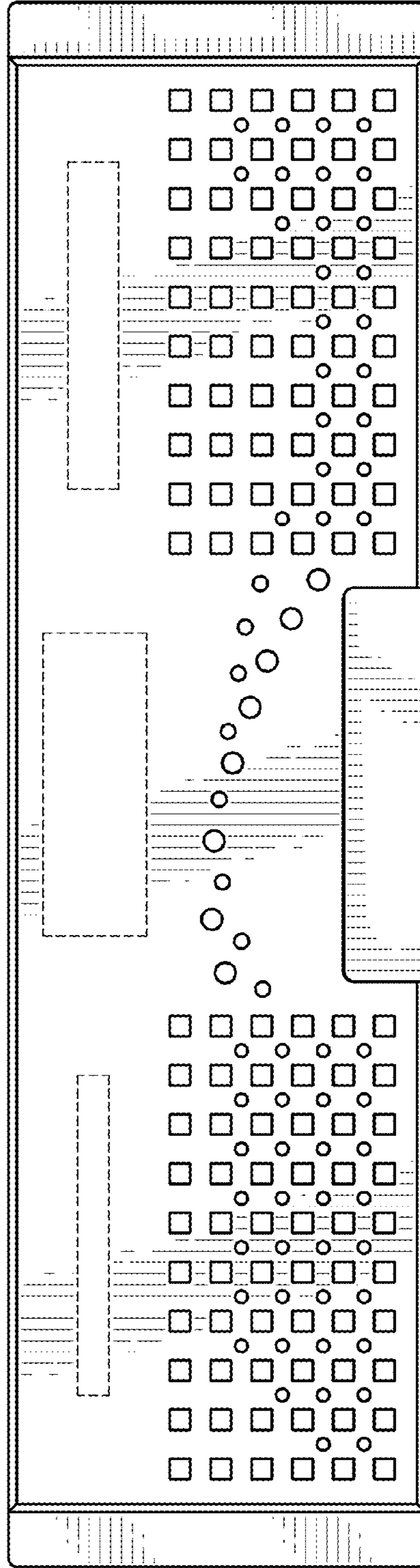


FIG-3

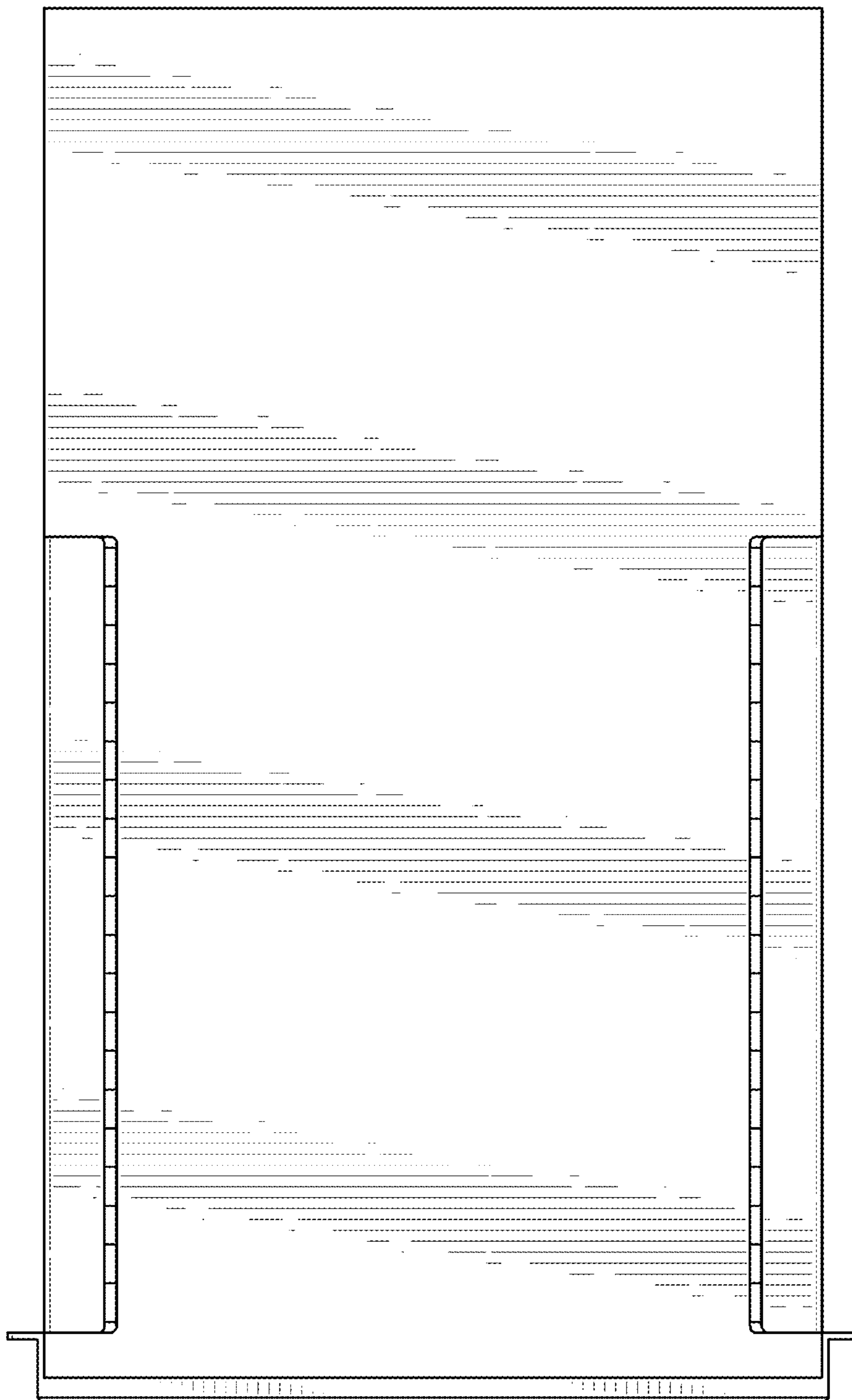


FIG-4

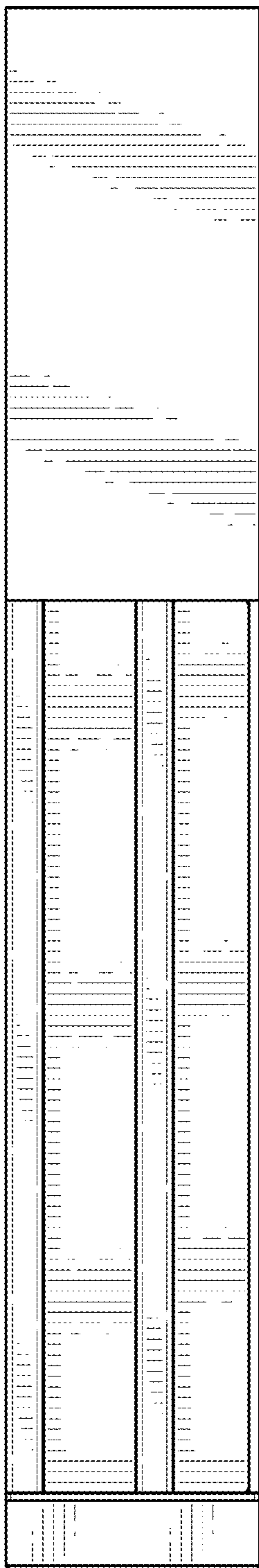


FIG-5

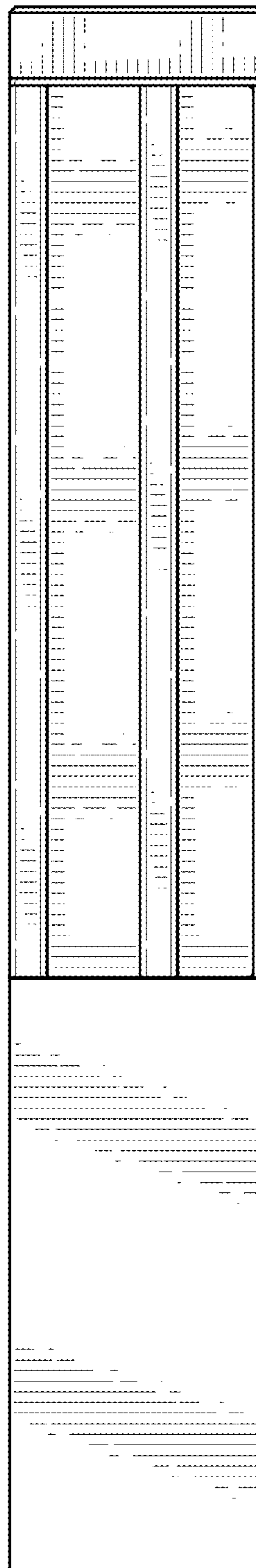


FIG-6

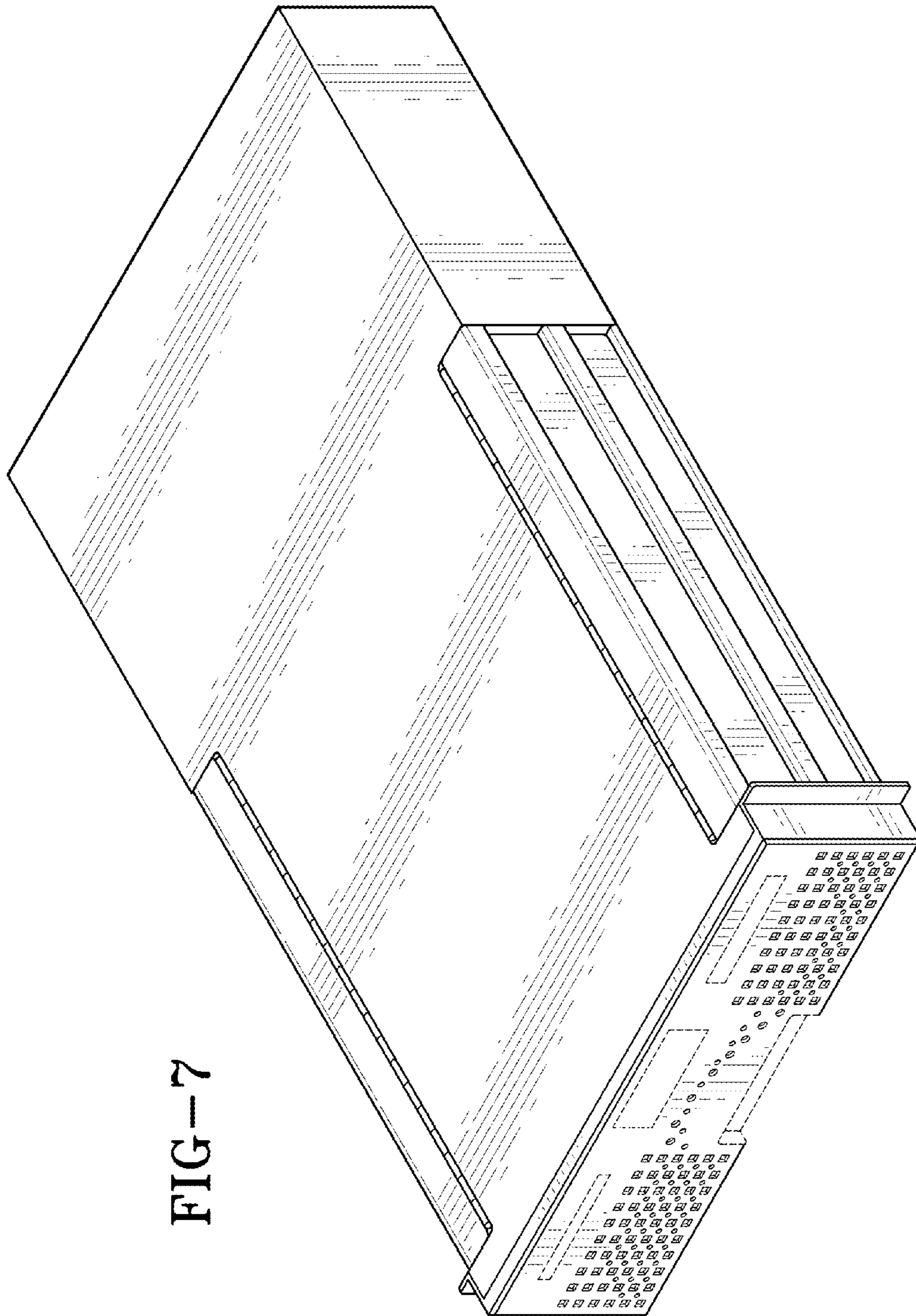


FIG--7

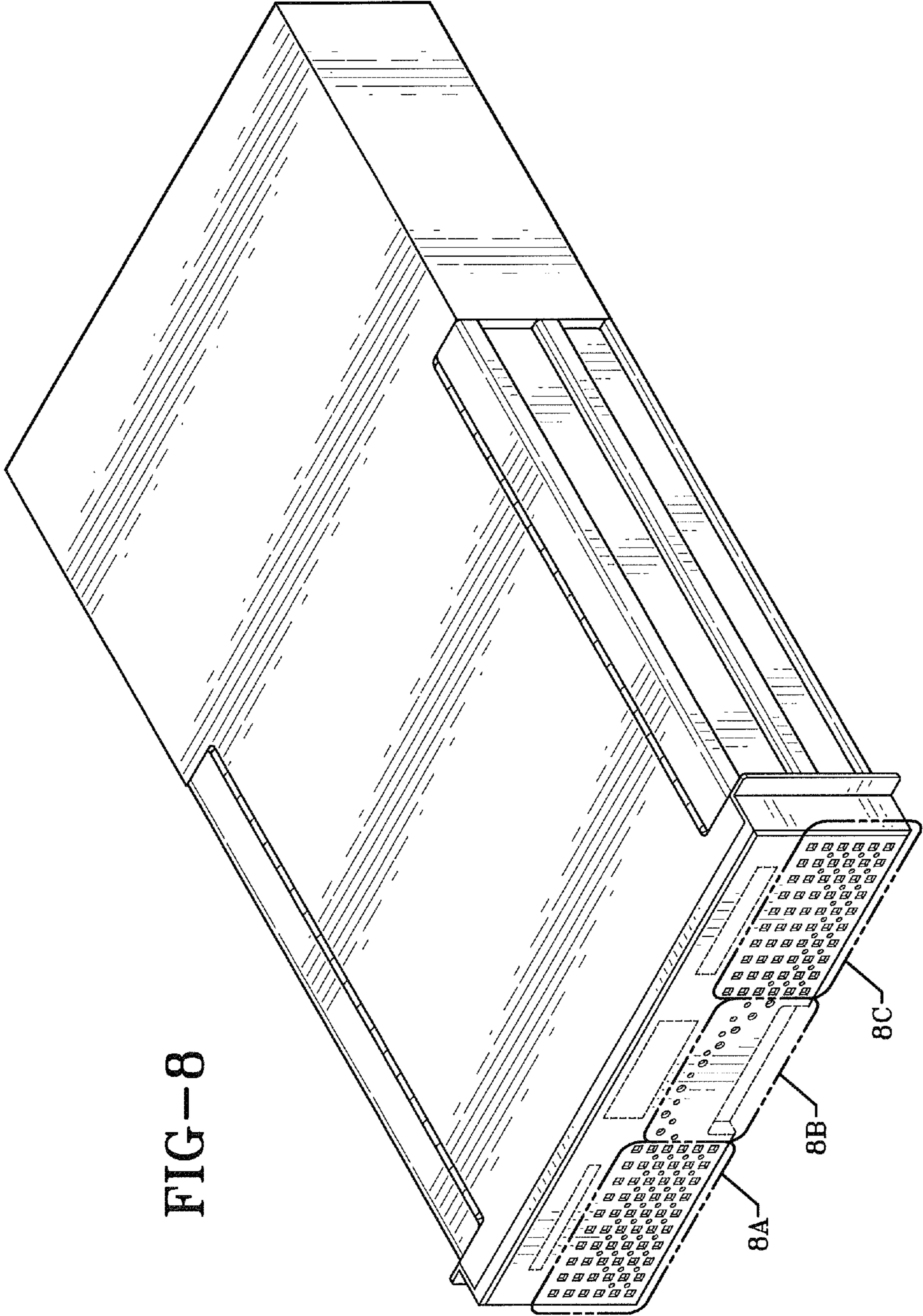


FIG-8

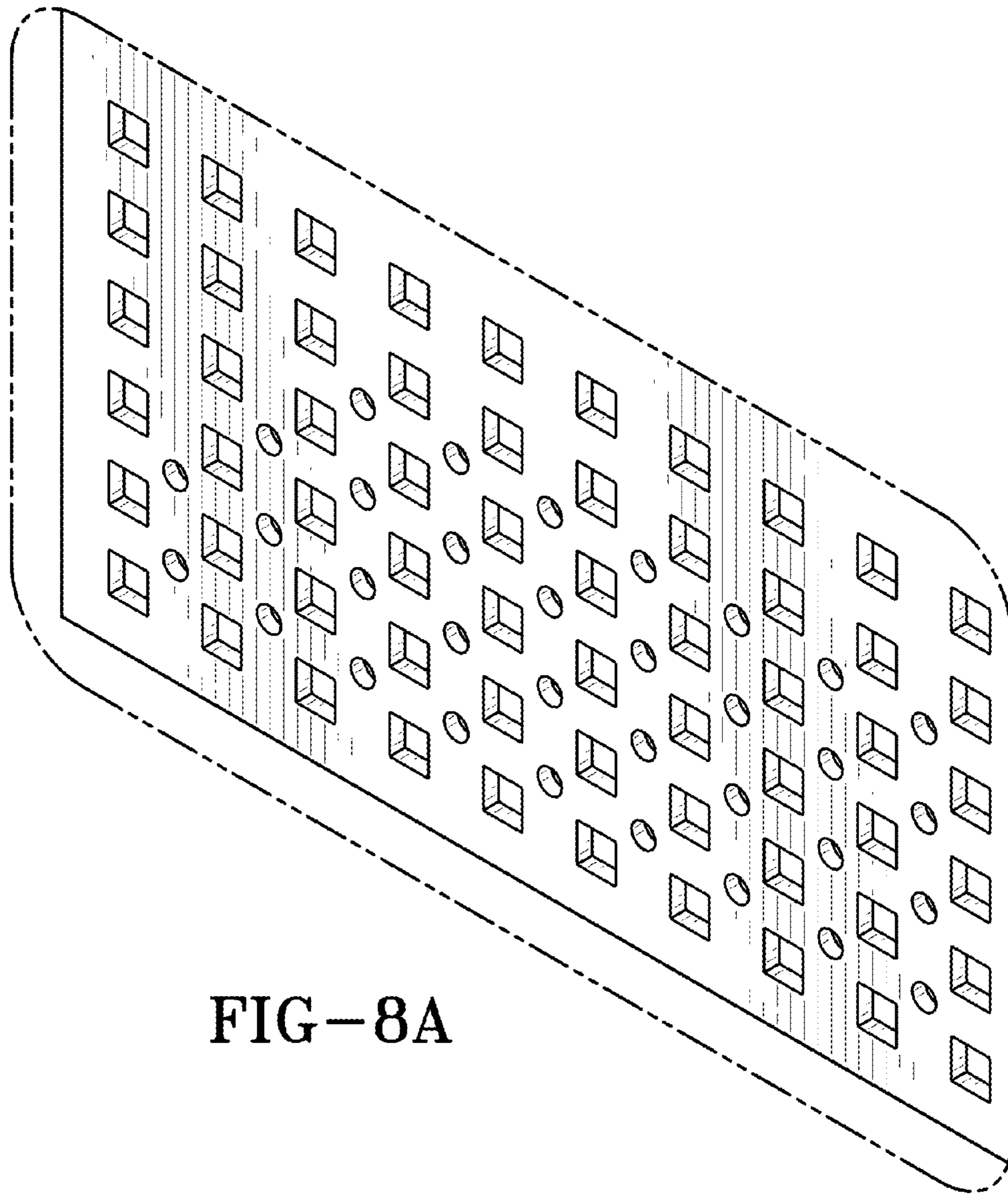


FIG-8A

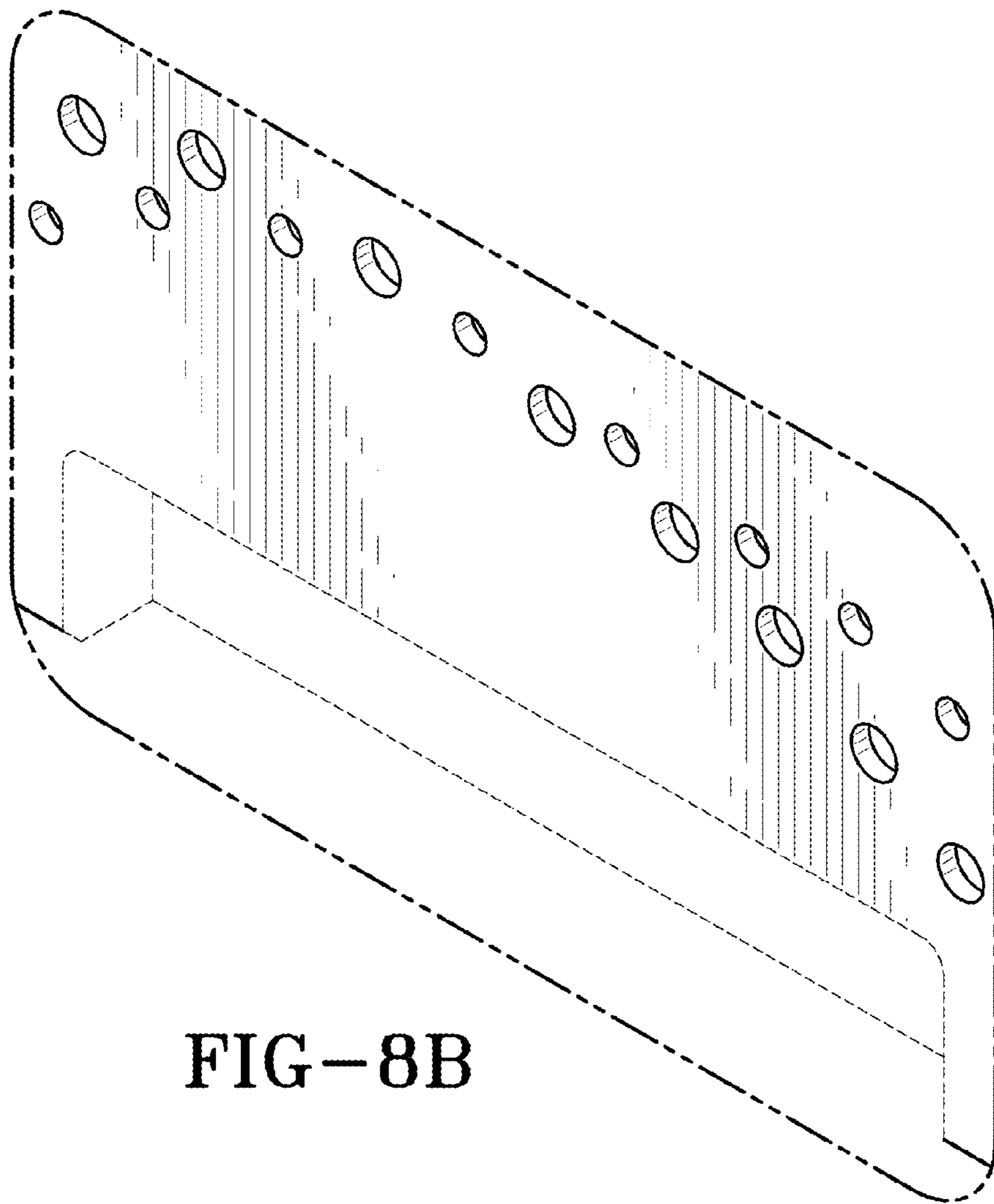


FIG-8B

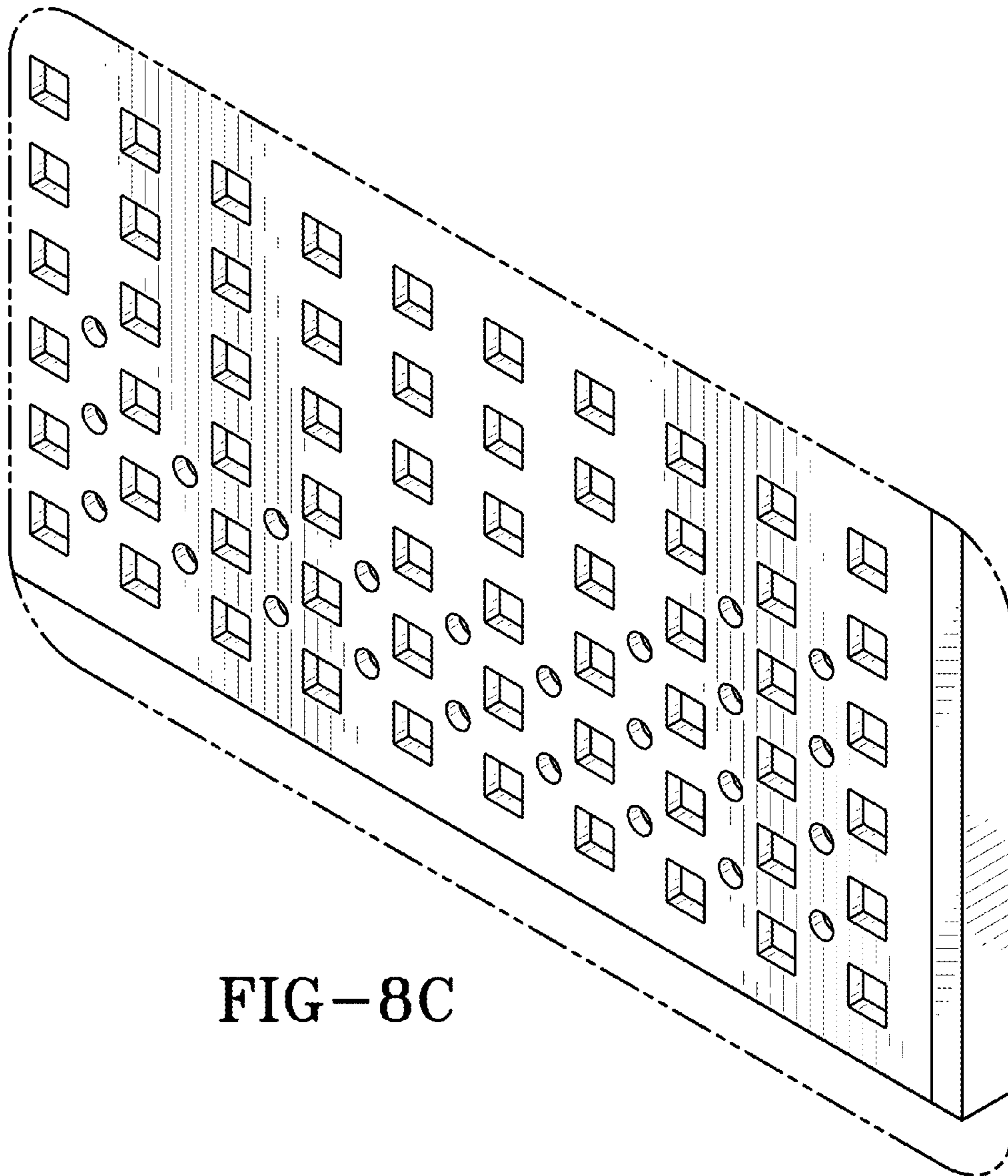


FIG-8C

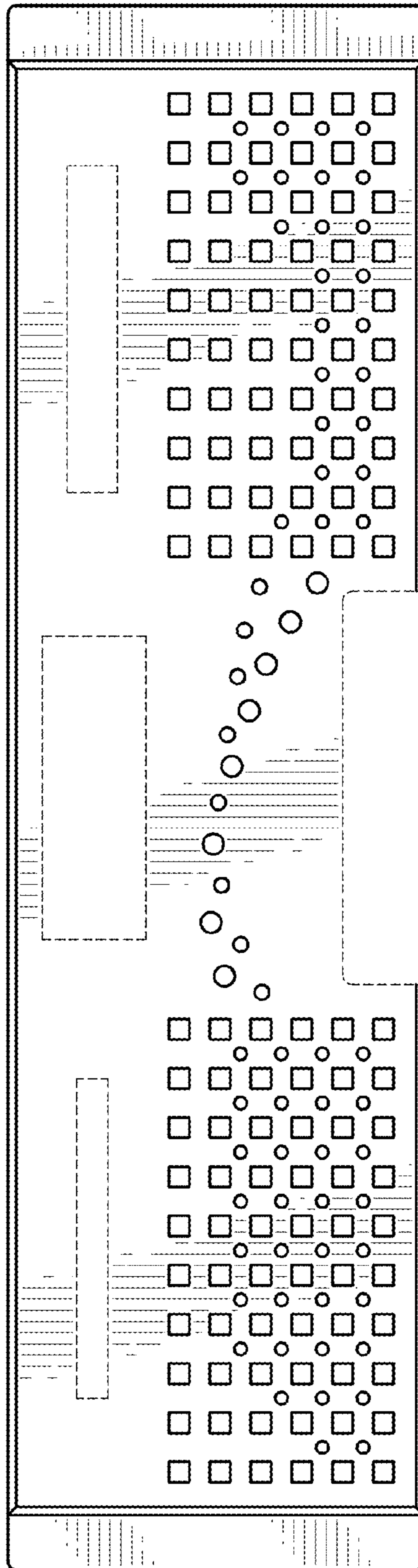


FIG-9

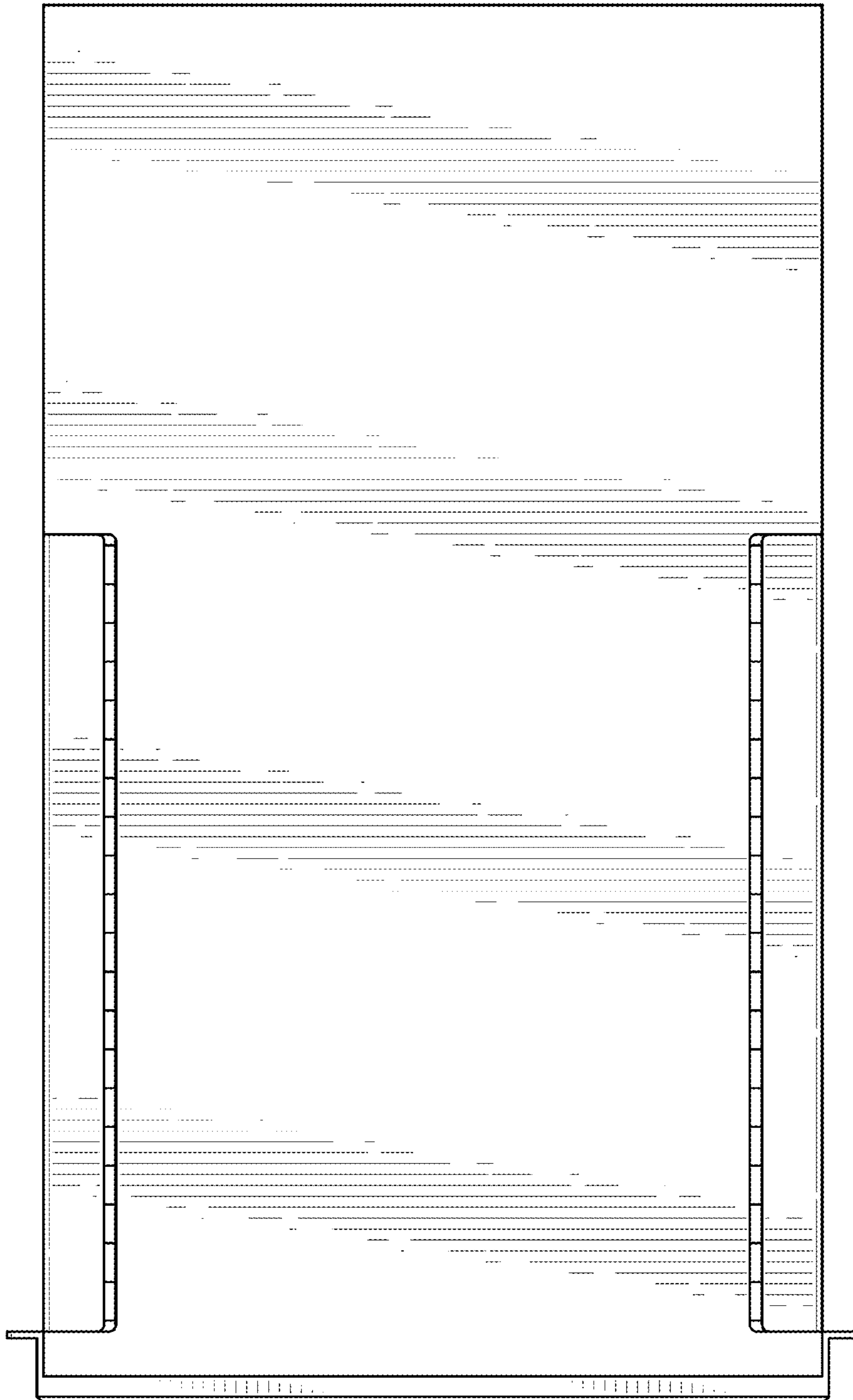


FIG-10

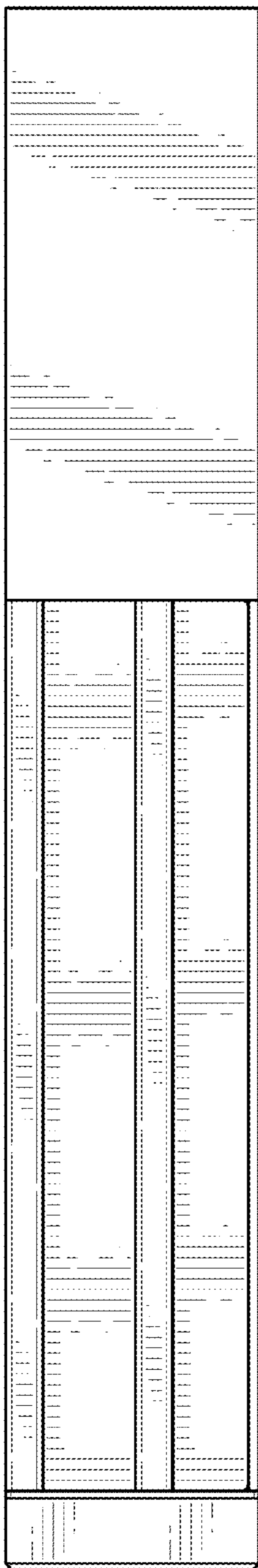


FIG-11

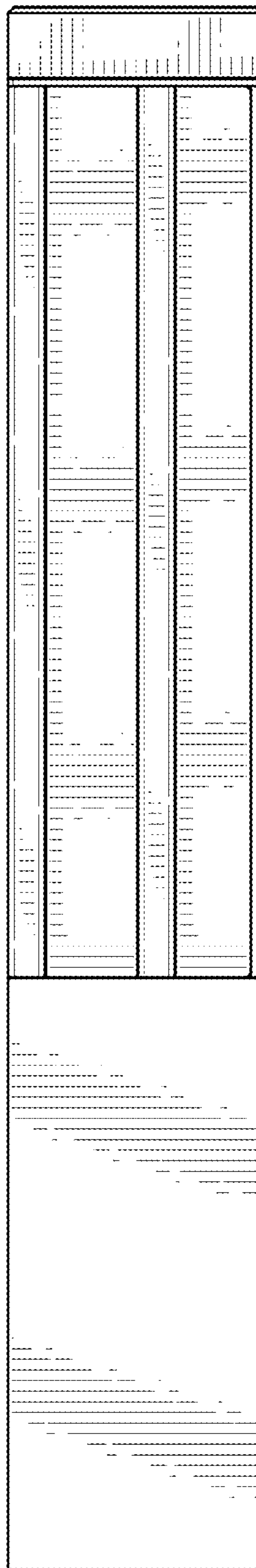


FIG-12