



US00D748087S

(12) **United States Design Patent**
Lee et al.

(10) **Patent No.:** **US D748,087 S**
(45) **Date of Patent:** **** Jan. 26, 2016**

(54) **MOBILE DEVICE HOLDER**
(71) Applicant: **iOttie, Inc.**, Hackensack, NJ (US)
(72) Inventors: **Kyu Seop Lee**, Basking Ridge, NJ (US);
Phisitsuk Paul Sukphisit, Englewood,
NJ (US)
(73) Assignee: **IOTTIE, INC.**, New York, NY (US)

D665,797 S * 8/2012 Novak D14/253
D685,380 S * 7/2013 Richter D14/253
D704,628 S * 5/2014 Tajik D13/108
D705,211 S * 5/2014 Huang D14/253
D718,297 S * 11/2014 Aspinall D14/253
D723,042 S * 2/2015 Lee D14/447
D732,013 S * 6/2015 Aspinall D14/253
2005/0279902 A1 * 12/2005 Richter B60R 11/00
248/316.4

(**) Term: **14 Years**

* cited by examiner

(21) Appl. No.: **29/474,446**

Primary Examiner — Susan Bennett Hattan

Assistant Examiner — Leanne Was

(22) Filed: **Sep. 24, 2014**

(74) *Attorney, Agent, or Firm* — Lucas & Mercanti, LLP

(51) **LOC (10) Cl.** **14-03**

(57) **CLAIM**

(52) **U.S. Cl.**
USPC **D14/251**

The ornamental design for a mobile device holder, as shown and described.

(58) **Field of Classification Search**
USPC D12/415; D14/137, 140, 140.8, 142,
D14/204, 209.1, 217, 221, 238.1, 243–256,
D14/434, 440, 444–447; 239/6, 8;
248/176.1, 309.1, 451, 689;
348/373–376; 361/679.09, 679.21,
361/679.26, 679.3, 679.55, 679.56;
455/575.1, 575.9

DESCRIPTION

See application file for complete search history.

FIG. 1 is a front isometric view of a mobile device holder showing our new design;
FIG. 2 is a rear isometric view thereof;
FIG. 3 is a front side view thereof;
FIG. 4 is a rear side view thereof;
FIG. 5 is a top side view thereof;
FIG. 6 is a bottom side view thereof;
FIG. 7 is a right side view thereof; and,
FIG. 8 is a left side view thereof.

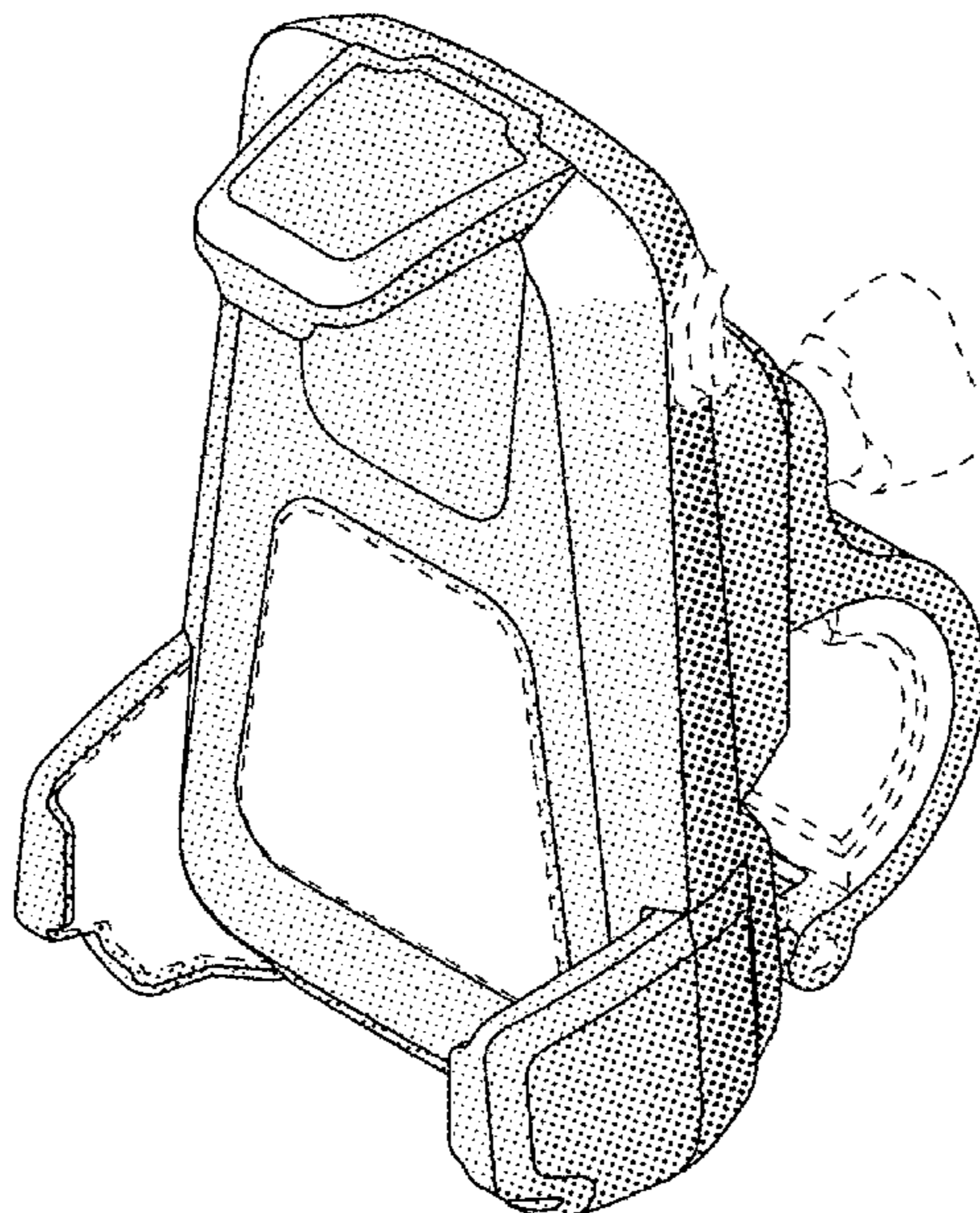
The broken lines immediately adjacent to the shaded area represent unclaimed boundaries of the design. All other broken lines in the figures depict portions of the mobile device holder that form no part of the claimed design.

(56) **References Cited**

U.S. PATENT DOCUMENTS

D406,191 S * 3/1999 Phillips D3/218
D415,771 S * 10/1999 Richter D14/253
D456,024 S * 4/2002 Richter D14/434
7,672,701 B2 * 3/2010 Piekarz H04M 1/04
379/420.04
D643,030 S * 8/2011 Cheng D14/253

1 Claim, 8 Drawing Sheets



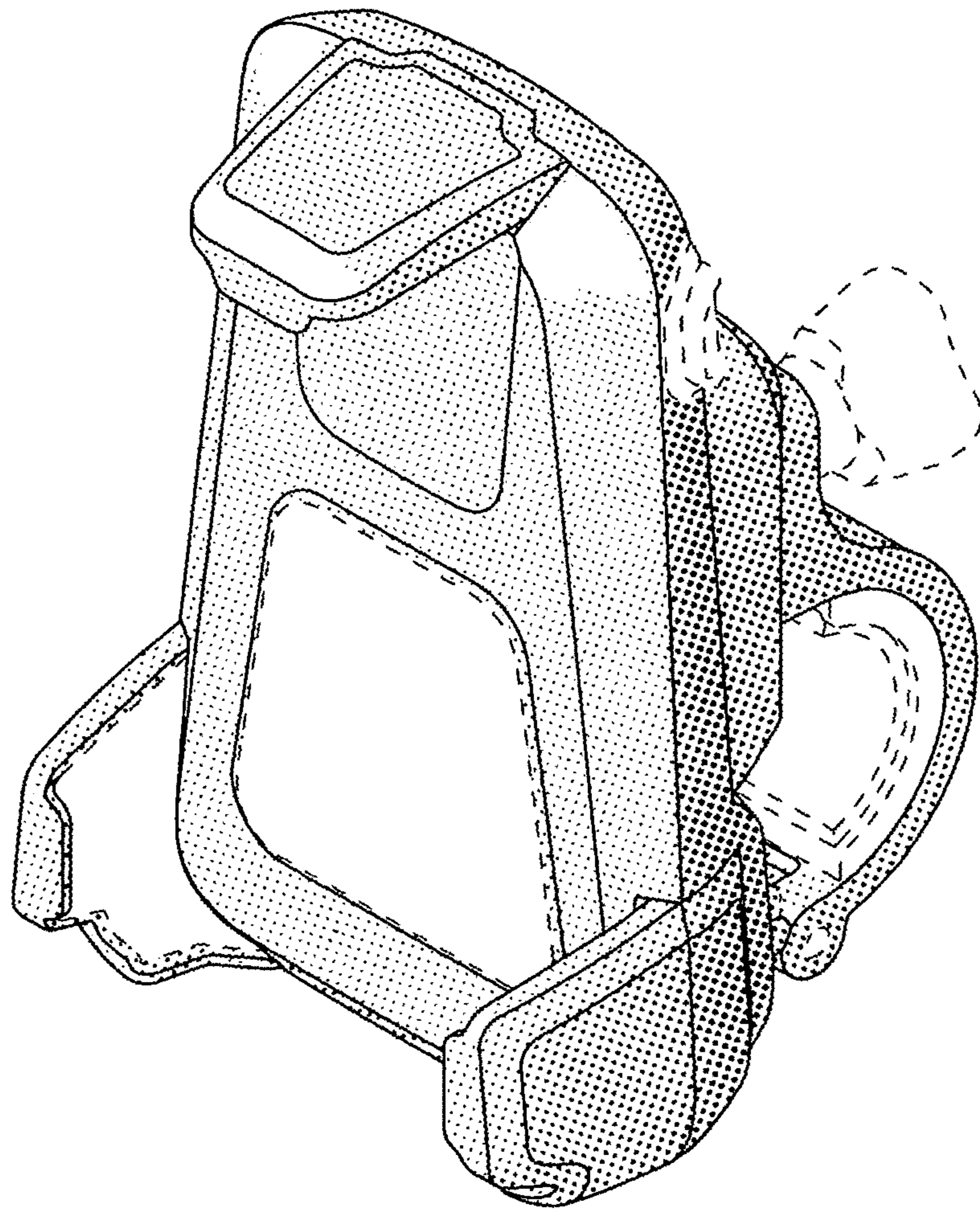


FIGURE 1

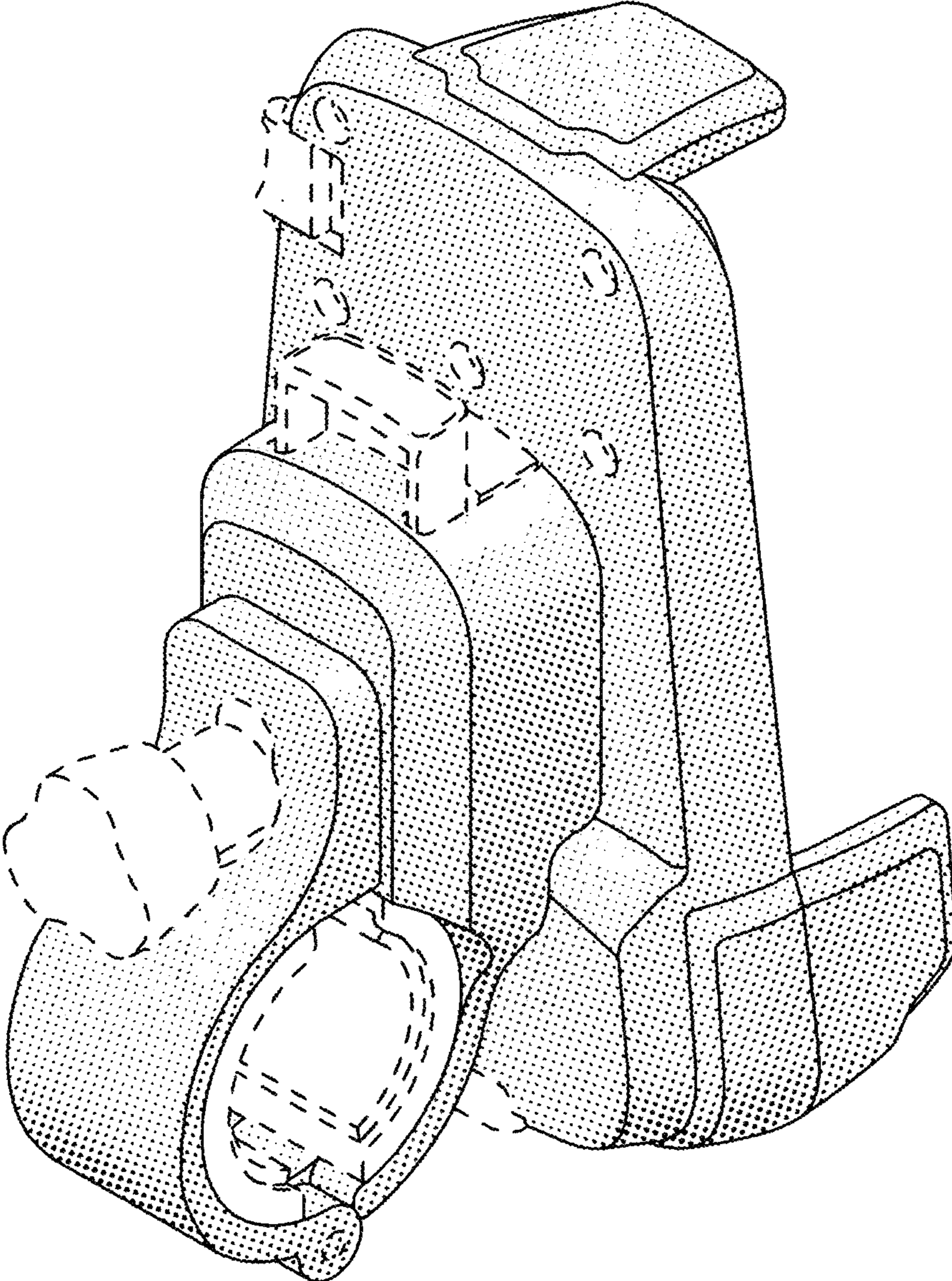


FIGURE 2

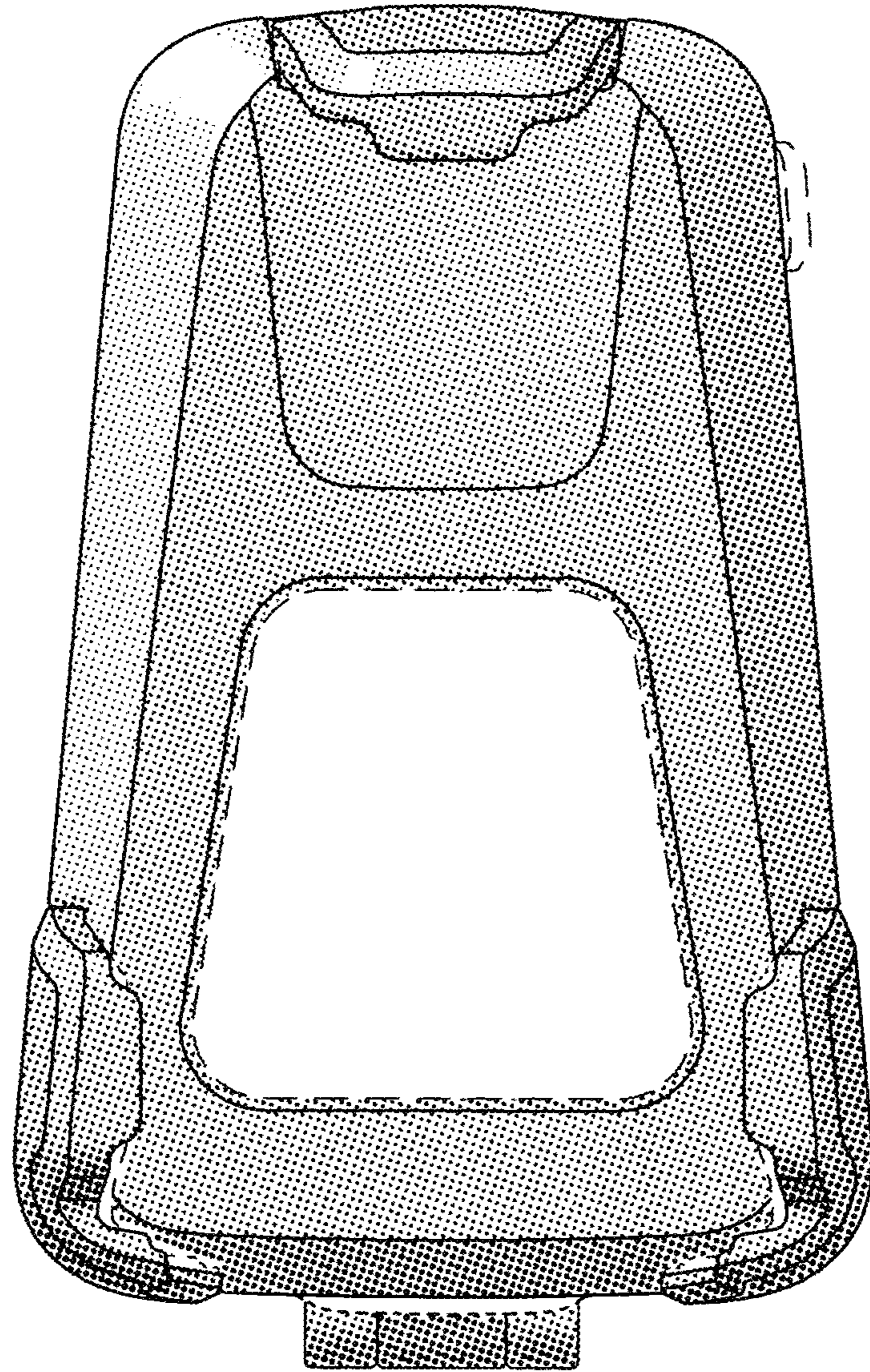


FIGURE 3

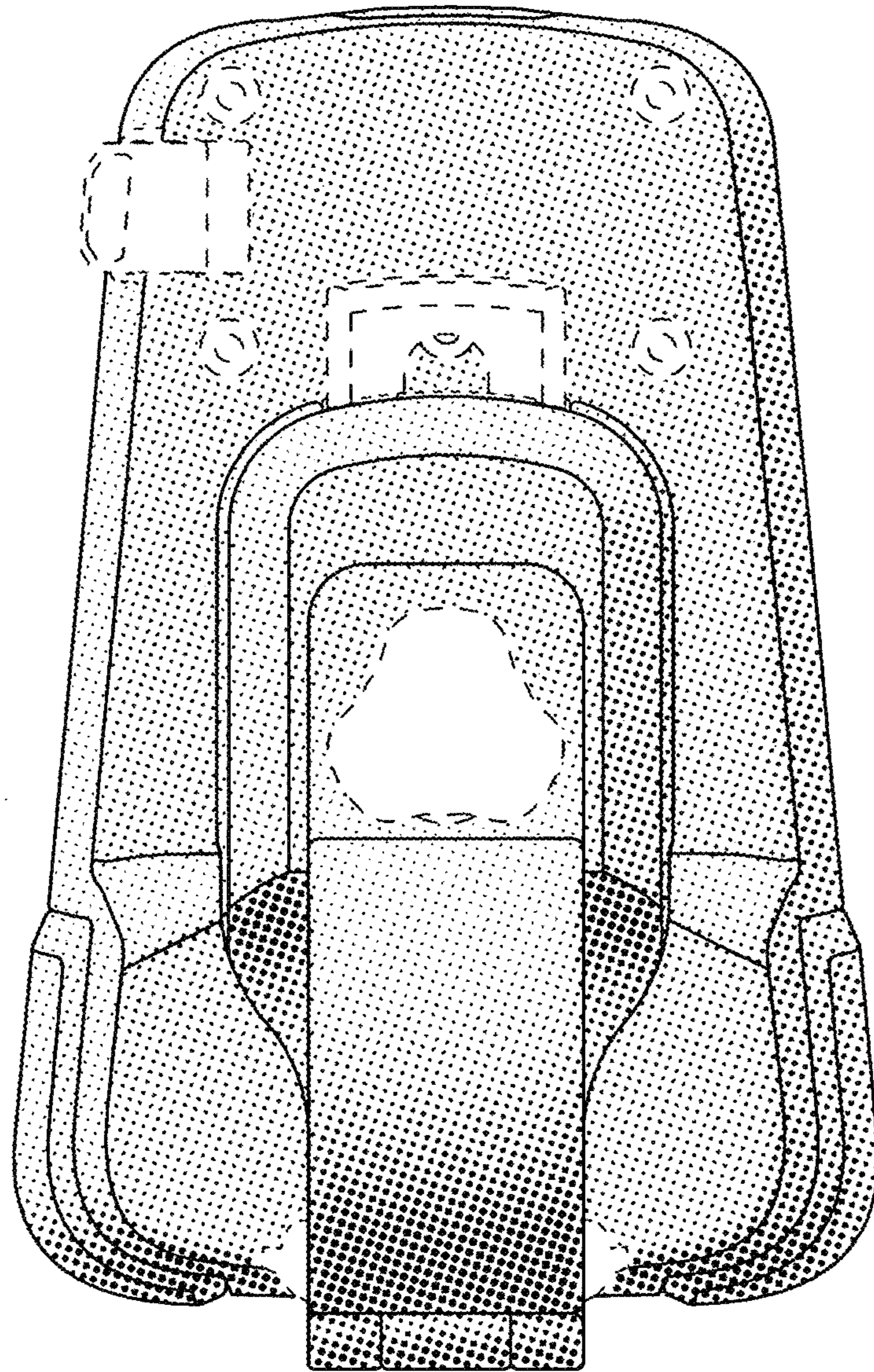


FIGURE 4

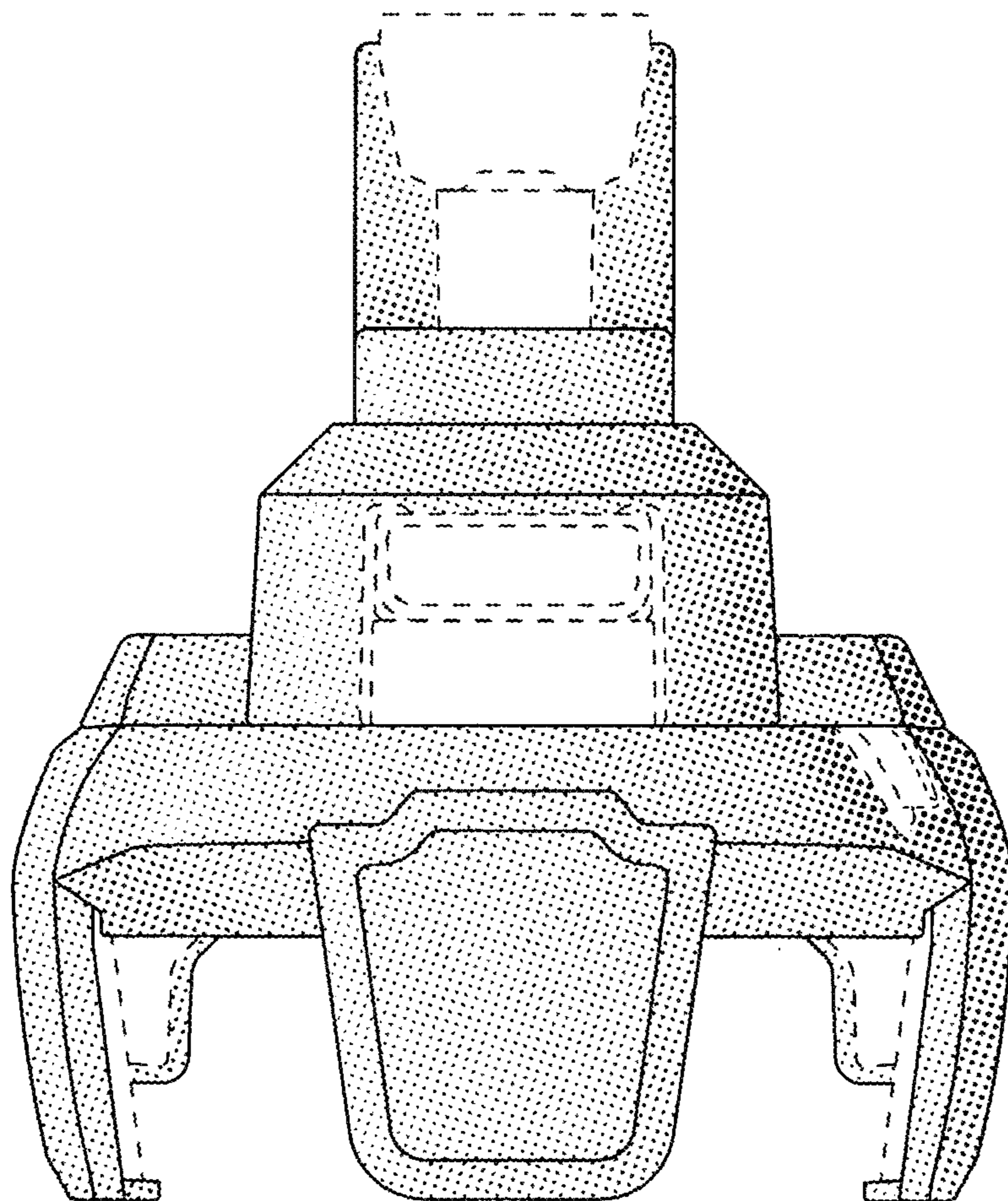


FIGURE 5

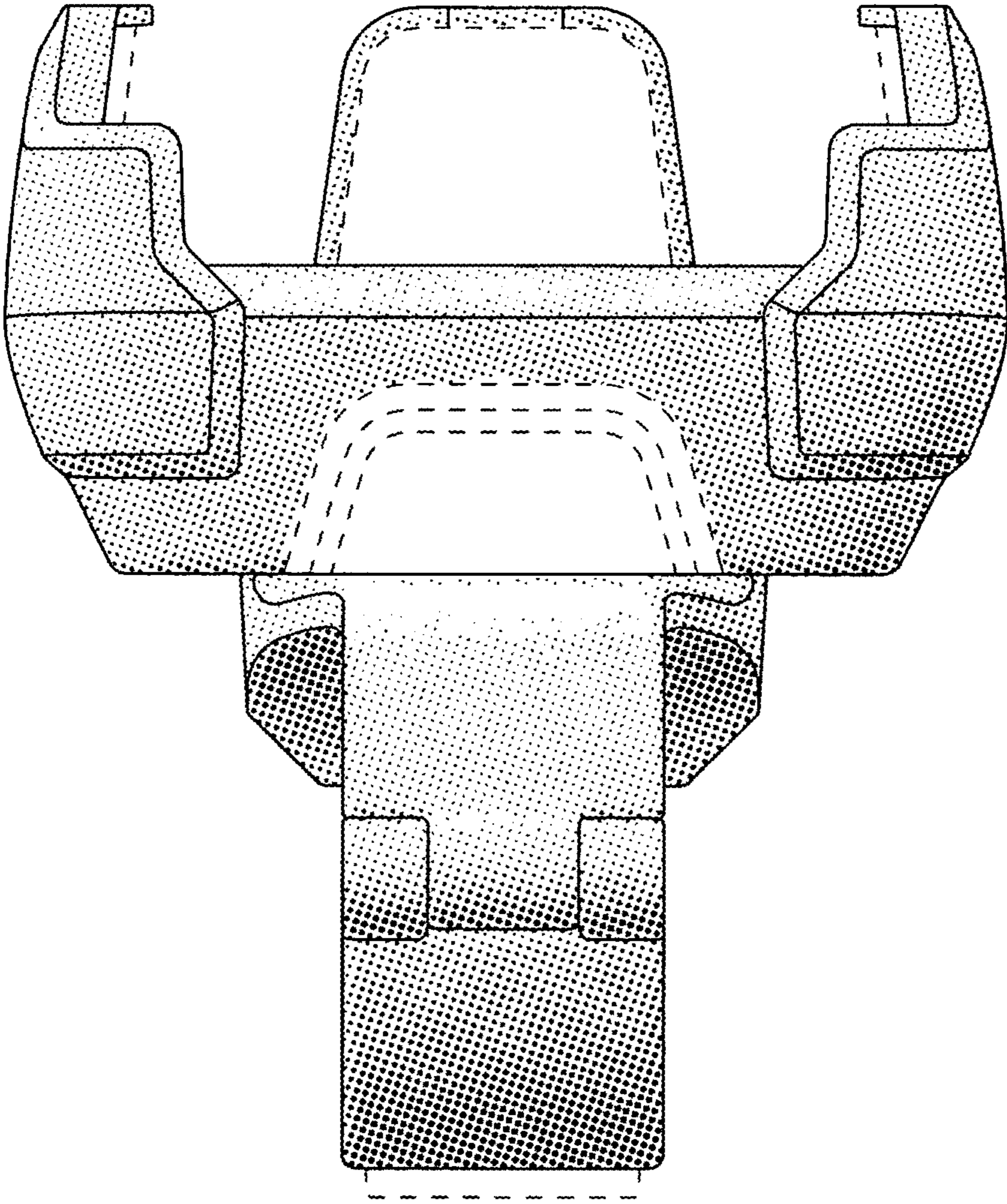


FIGURE 6

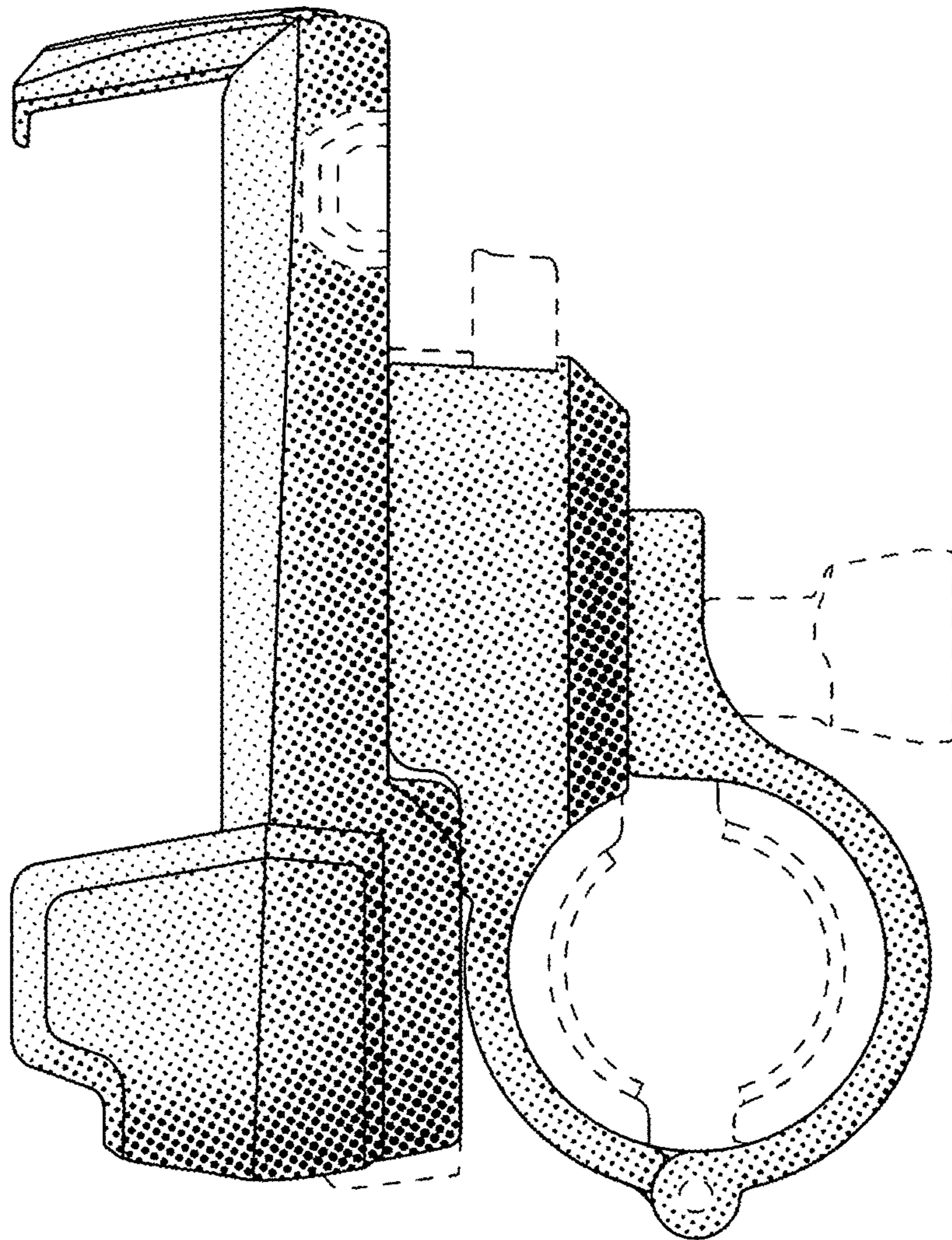


FIGURE 7

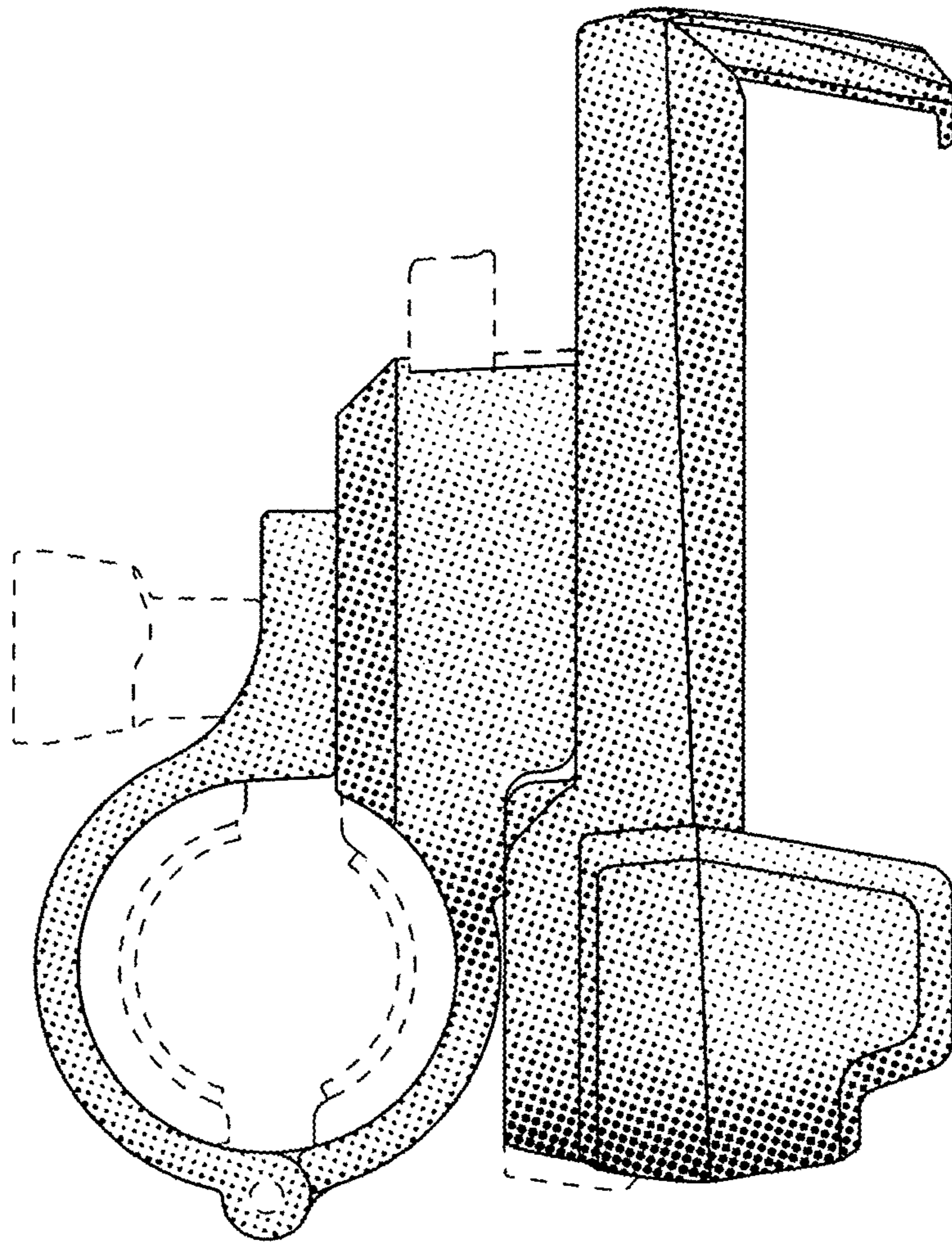


FIGURE 8