



US00D748078S

(12) **United States Design Patent**
Nardin et al.

(10) **Patent No.:** **US D748,078 S**
(45) **Date of Patent:** **** Jan. 26, 2016**

(54) **REMOTE CONTROL**

(71) Applicant: **DEVIALET**, Paris (FR)

(72) Inventors: **Emmanuel Nardin**, Vanves (FR);
Fabien Deboves, Rueil Malmaison (FR);
François Mestre, Lille (FR); **Sylvain Gerber**, Cachan (FR); **Grégory Cibert**, Paris (FR); **Nicolas Régentête**, Paris (FR)

(73) Assignee: **DEVIALET**, Paris (FR)

(**) Term: **14 Years**

(21) Appl. No.: **29/489,034**

(22) Filed: **Apr. 25, 2014**

(30) **Foreign Application Priority Data**

Oct. 25, 2013 (EM) 002333716-0001
Oct. 25, 2013 (EM) 002333716-0002
Oct. 25, 2013 (EM) 002333716-0003
Oct. 25, 2013 (EM) 002333716-0004
Oct. 25, 2013 (EM) 002333716-0005
Oct. 25, 2013 (EM) 002333716-0006

(51) **LOC (10) Cl.** **14-03**

(52) **U.S. Cl.**
USPC **D14/218**

(58) **Field of Classification Search**
USPC D14/218, 288, 400, 242, 155; D28/91;
D13/171, 164, 162, 168; D6/633;
D21/333; D9/504; D10/50; D16/203;
174/84 R; 220/574, 833; 52/45
CPC H01R 4/70; A47G 19/02; B65D 43/12;
B61D 17/12

See application file for complete search history.

(56) **References Cited**

U.S. PATENT DOCUMENTS

D283,891 S * 5/1986 Parshad et al. D14/228
D303,584 S * 9/1989 Bakic D28/91

(Continued)

FOREIGN PATENT DOCUMENTS

KR 300439737.0000 * 2/2007
RU 00079659 * 9/2011

OTHER PUBLICATIONS

System Control—Steinway Lyngdorf, Announced Jul. 31, 2011,
[Site Visited Aug. 19, 2015] <https://steinwaylyngdorf.com/products/system-control>.*

(Continued)

Primary Examiner — Eric Goodman

Assistant Examiner — Luqman McNeil

(74) *Attorney, Agent, or Firm* — Stephen J. Weyer, Esq.;
Stites & Harbison, PLLC.

(57) **CLAIM**

The ornamental design for a remote control, as shown and described.

DESCRIPTION

FIG. 1 is a perspective view taken from the top, front, and left side of the remote control of the present invention.

FIG. 2 is a front elevation view of the remote control of FIG. 1.

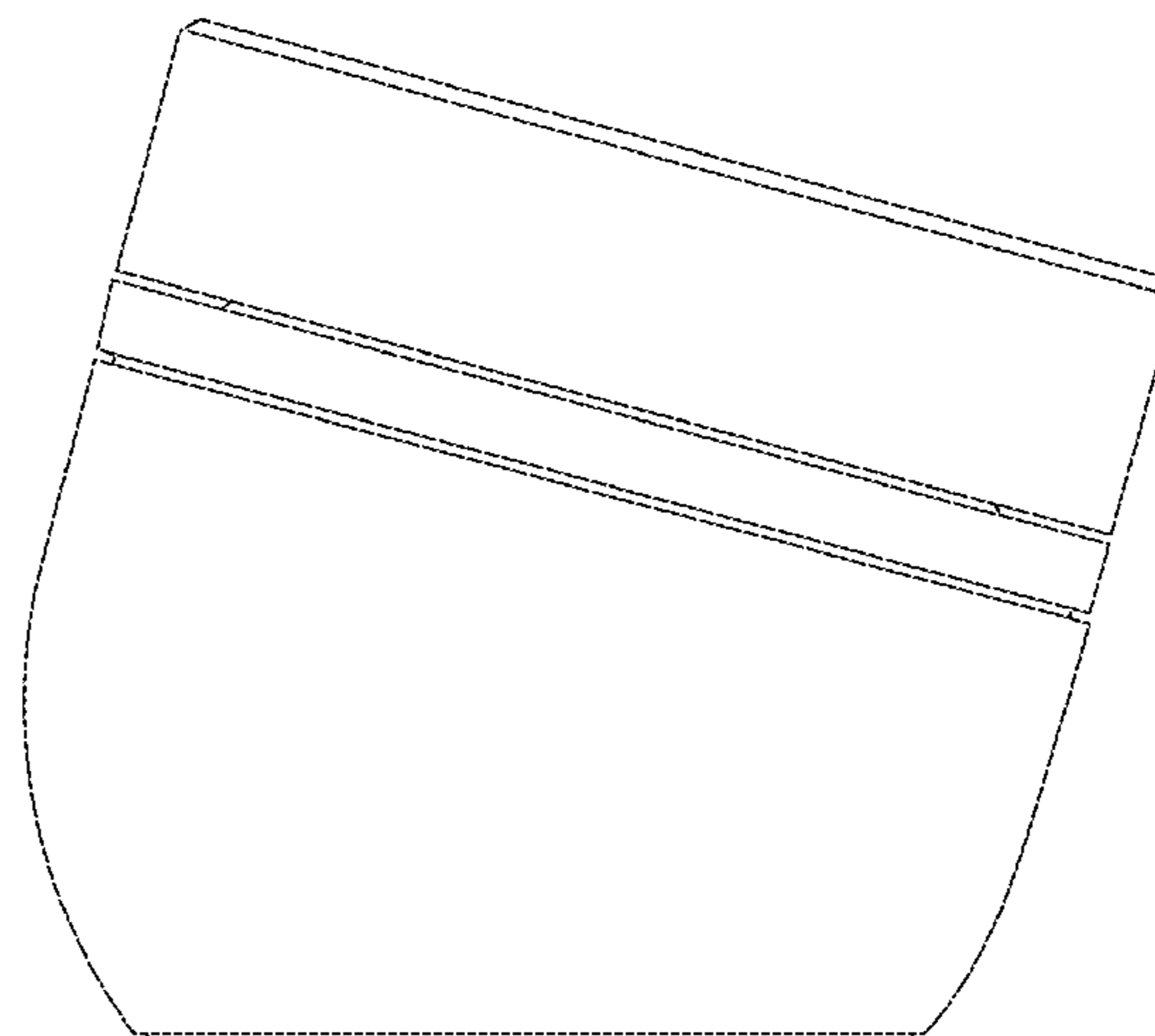
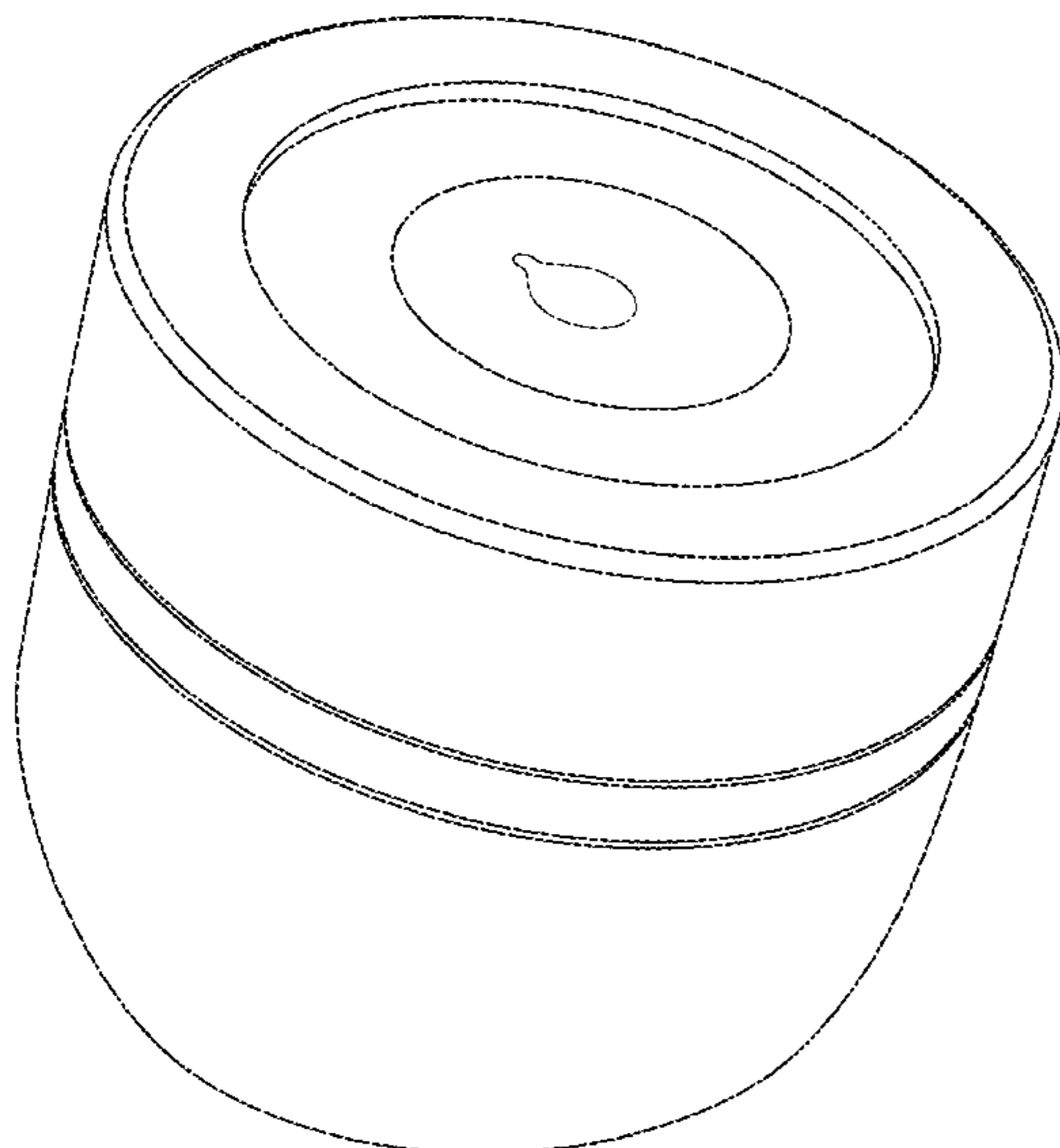
FIG. 3 is a left side elevational view of the remote control of FIG. 1, the opposite side being nearly a mirror image thereof.

FIG. 4 is a top plan view of the remote control of FIG. 1.

FIG. 5 is a bottom plan view of the remote control of FIG. 1; and,

FIG. 6 is a rear elevation view of the remote control of FIG. 1.

1 Claim, 6 Drawing Sheets



(56)

References Cited

U.S. PATENT DOCUMENTS

D305,022 S * 12/1989 Hallgren et al. D13/171
 5,922,993 A * 7/1999 Ide et al. 174/84 R
 D507,078 S * 7/2005 Greenfield D28/82
 D515,516 S * 2/2006 Mayo et al. D13/171
 D517,364 S * 3/2006 Nieves D6/633
 D519,569 S * 4/2006 Kiyono et al. D21/333
 D540,395 S * 4/2007 Bailey D21/333
 D554,074 S * 10/2007 Laurent et al. D13/164
 D561,113 S * 2/2008 Samhammer et al. D13/162
 D601,564 S * 10/2009 Maeno D14/400
 D621,261 S * 8/2010 DeMarco D9/504
 D625,295 S * 10/2010 Nogueira et al. D14/218
 D632,265 S * 2/2011 Choi et al. D13/168
 D639,784 S * 6/2011 Murayama et al. D14/218
 D643,412 S * 8/2011 Brady et al. D14/218

D658,640 S * 5/2012 Ivaskevicius D14/242
 D660,732 S * 5/2012 Bould et al. D10/50
 8,322,112 B2 * 12/2012 Luburic 52/745.13
 D682,131 S * 5/2013 Bhate et al. D10/106.6
 D685,790 S * 7/2013 Tang D14/388
 D694,306 S * 11/2013 Katori et al. D16/203
 D695,258 S * 12/2013 Hauser et al. D14/155
 8,695,838 B1 * 4/2014 Montgomery 220/574.1
 2009/0321455 A1 * 12/2009 Fernandez et al. 220/574
 2011/0073610 A1 * 3/2011 Giraud et al. 220/833

OTHER PUBLICATIONS

Remote Control: Designobjekt Fernbedienung, Announced Mar. 2, 2009, [Site Visited Aug. 19, 2015] <http://twenty7studio.ch/BA/wordpress/?tag=remote-control>.*

* cited by examiner

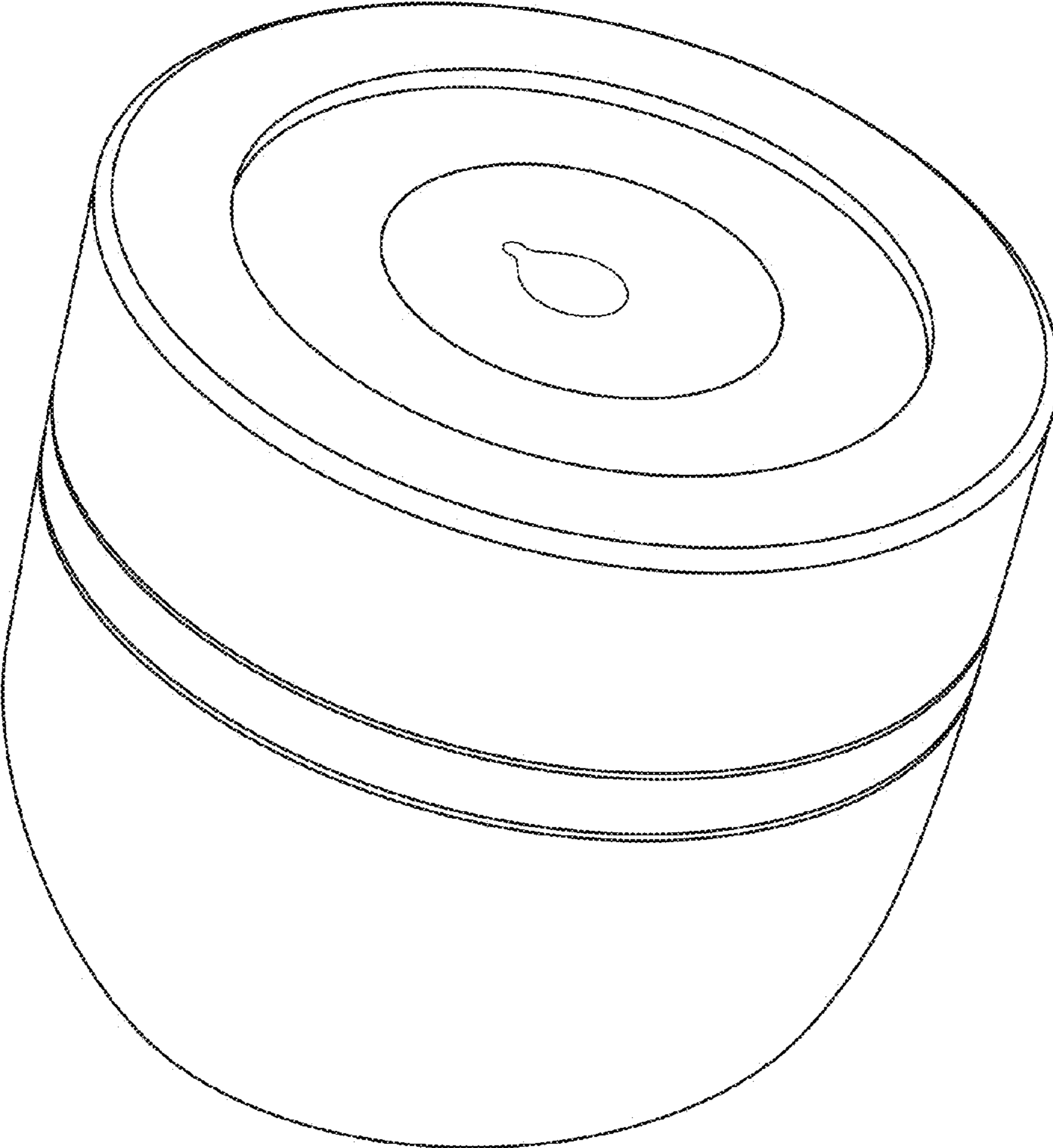


Fig. 1

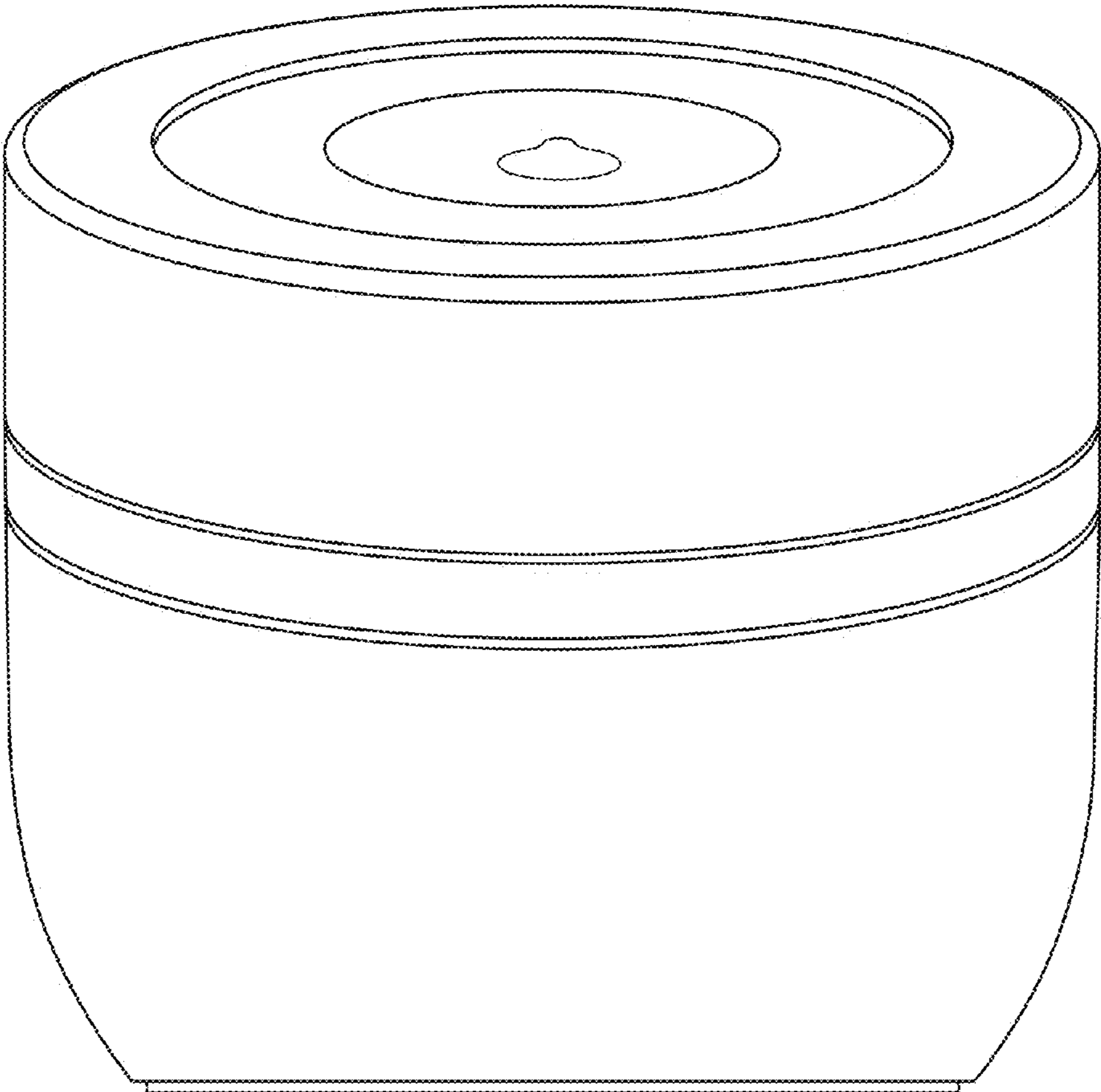


Fig. 2

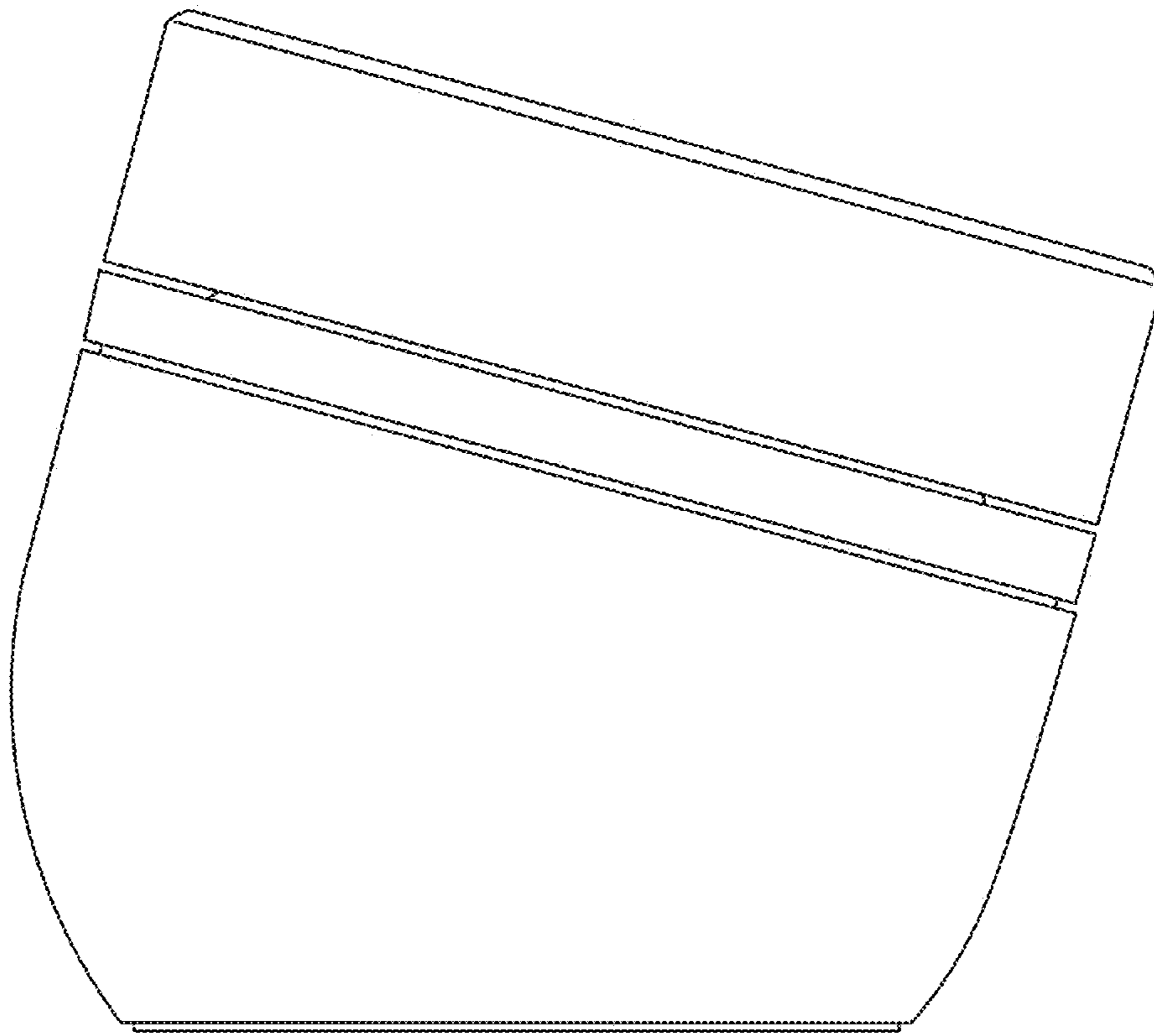


Fig. 3

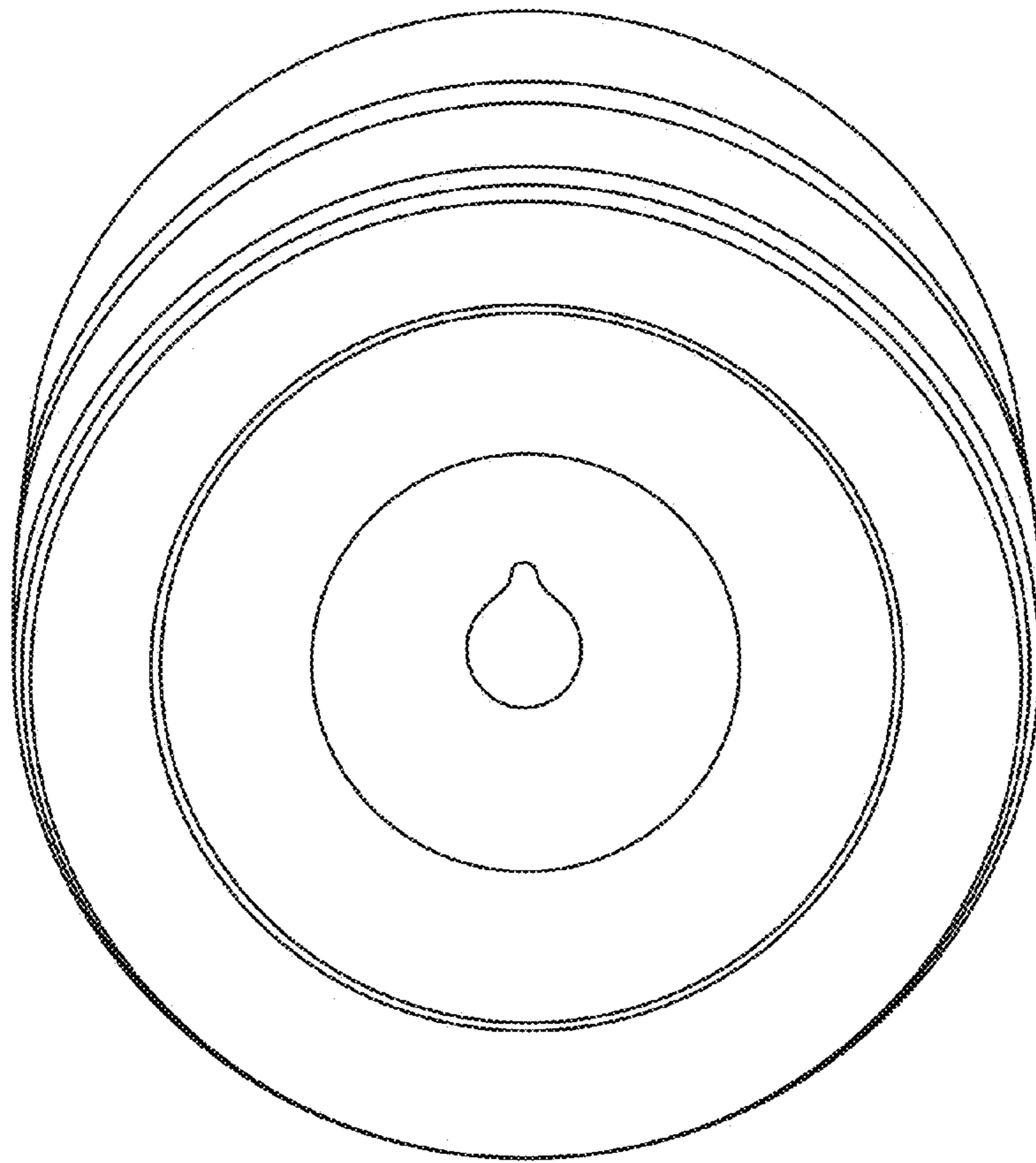


Fig. 4

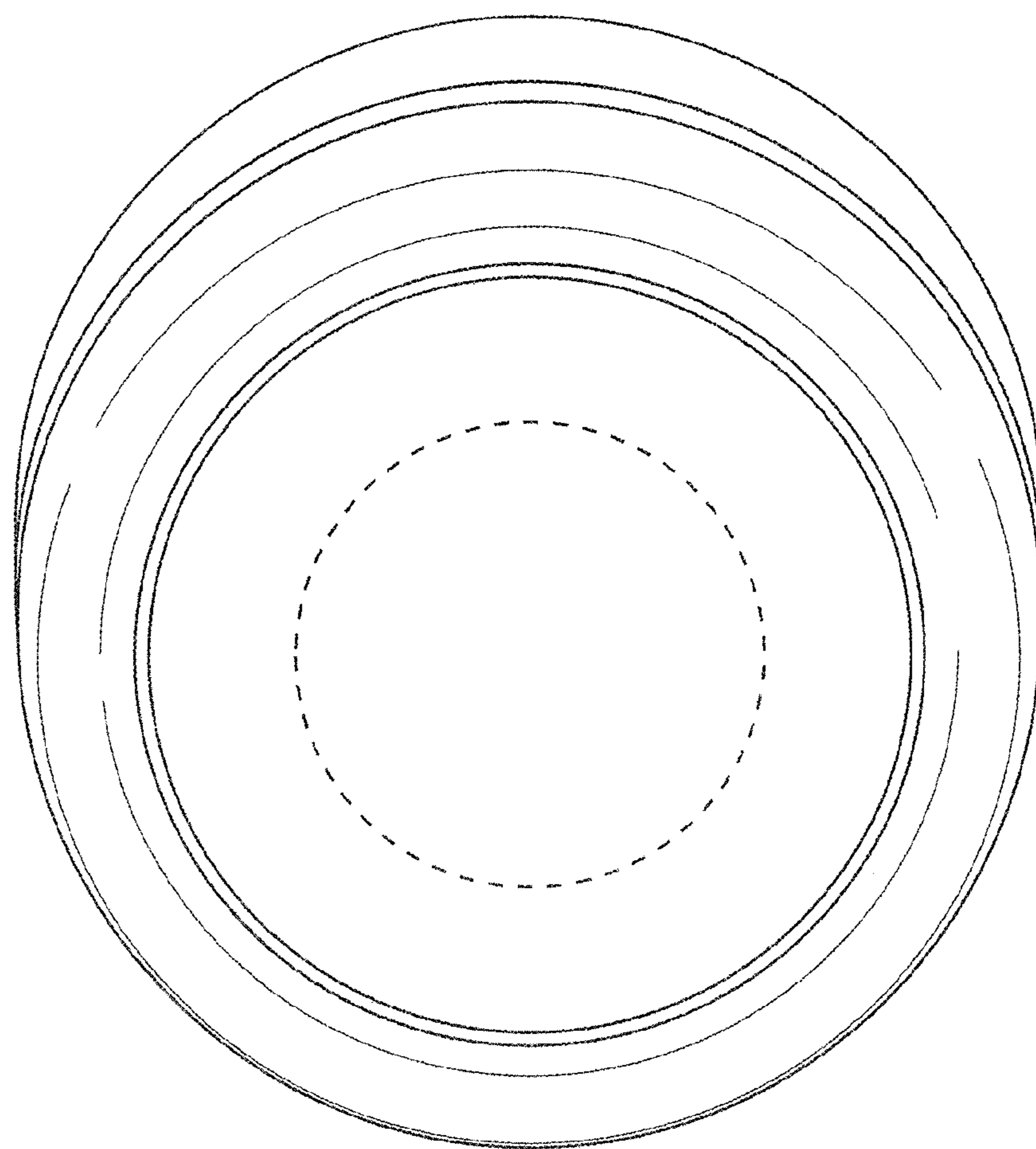


Fig. 5

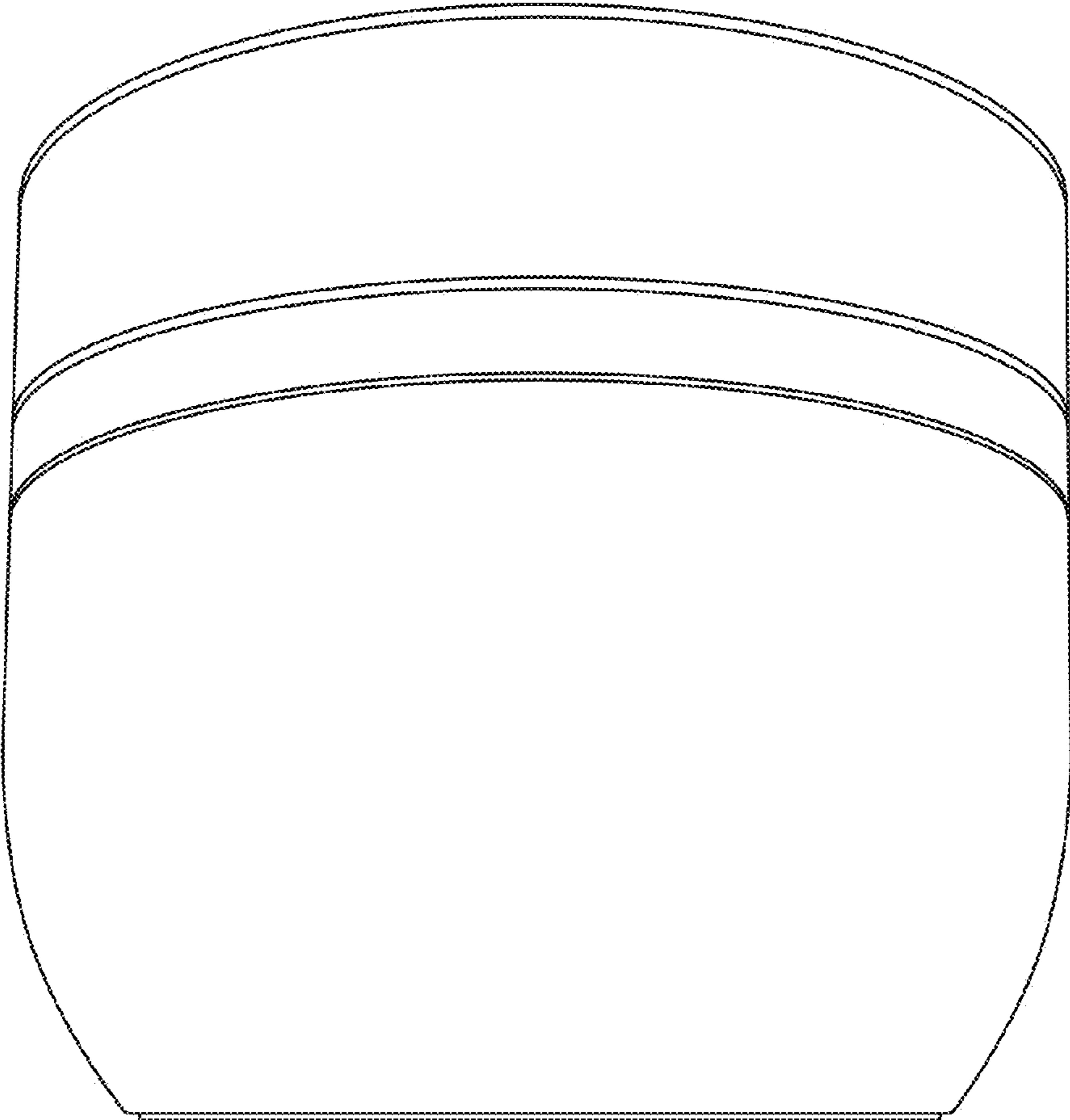


Fig. 6