



US00D748073S

(12) **United States Design Patent**
Woo et al.

(10) **Patent No.:** **US D748,073 S**
(45) **Date of Patent:** **** Jan. 26, 2016**

(54) **SPEAKER**

H04R 5/02; H04R 2203/12

See application file for complete search history.

(71) Applicant: **Samsung Electronics Co., Ltd.**,
Suwon-si (KR)

(56) **References Cited**

(72) Inventors: **Sang Sung Woo**, Seoul (KR); **Dae
Joung Kim**, Seoul (KR); **Dae Kyung
Ahn**, Namyangjusi (KR); **Seung Chan
Lee**, Seoul (KR); **Sang Min Hyun**,
Seoul (KR)

U.S. PATENT DOCUMENTS

D644,201	S	*	8/2011	Park et al.	D14/214
D645,449	S	*	9/2011	Kusuki	D14/214
D655,690	S	*	3/2012	Yagi	D14/214
D660,284	S	*	5/2012	Carbone	D14/214
D669,883	S	*	10/2012	Cheng	D14/214
D670,270	S	*	11/2012	Allen	D14/214

(73) Assignee: **Samsung Electronics Co., Ltd.**,
Suwon-si (KR)

* cited by examiner

(**) Term: **14 Years**

Primary Examiner — Derrick Holland

Assistant Examiner — Janice Lim

(21) Appl. No.: **29/489,150**

(74) *Attorney, Agent, or Firm* — NSIP Law

(22) Filed: **Apr. 28, 2014**

(57) **CLAIM**

The ornamental design for a speaker, as shown and described.

(30) **Foreign Application Priority Data**

DESCRIPTION

Oct. 29, 2013 (KR) 30-2013-0054324

(51) **LOC (10) Cl.** **14-01**

(52) **U.S. Cl.**
USPC **D14/204**

(58) **Field of Classification Search**
USPC D14/172, 207, 204, 209.1, 210–215;
181/148, 152, 153, 157, 192, 198, 199;
381/301–303, 332, 333, 336, 345, 361
CPC H04M 1/03; H04M 1/035; H04R 1/02;
H04R 1/06; H04R 1/021; H04R 1/025;
H04R 1/026; H04R 1/105; H04R 1/228;
H04R 1/323; H04R 1/345; H04R 1/403;
H04R 1/2803; H04R 1/2834; H04R 3/12;

FIG. 1 is a front perspective view of a speaker showing our new design;

FIG. 2 is a front view thereof;

FIG. 3 is a rear view thereof;

FIG. 4 is a left-side view thereof;

FIG. 5 is right-side view thereof;

FIG. 6 is a top view thereof;

FIG. 7 is a bottom view thereof; and,

FIG. 8 is a rear perspective view thereof.

The broken line portions of FIGS. 1-8 are included to show unclaimed subject matter only and form no part of the claimed design.

1 Claim, 8 Drawing Sheets

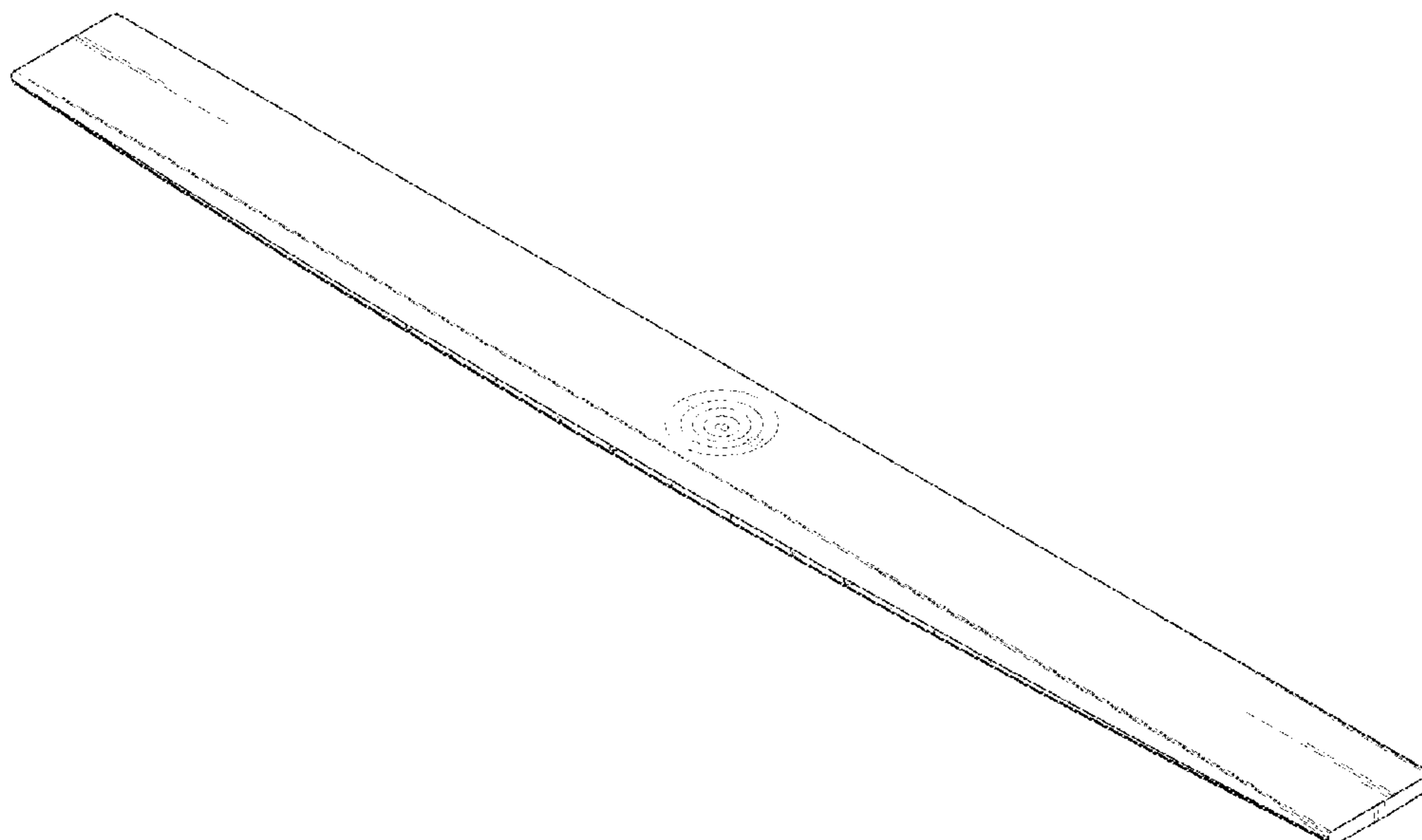


Fig. 1

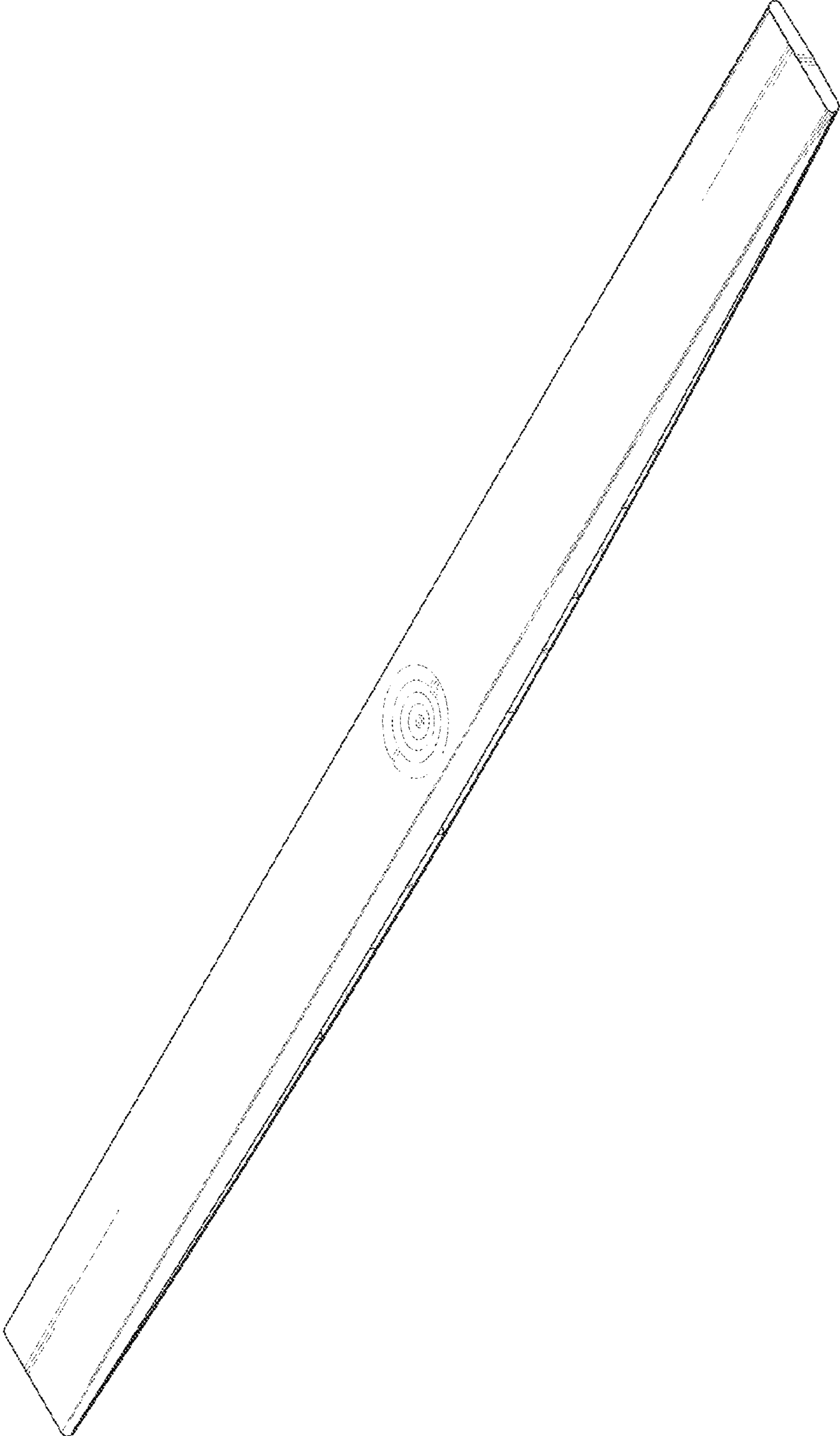


Fig. 2



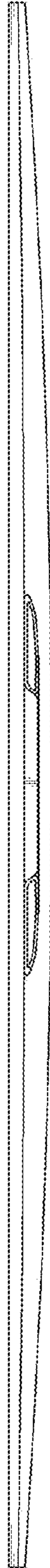


Fig. 3

Fig. 4



Fig. 5



Fig. 6

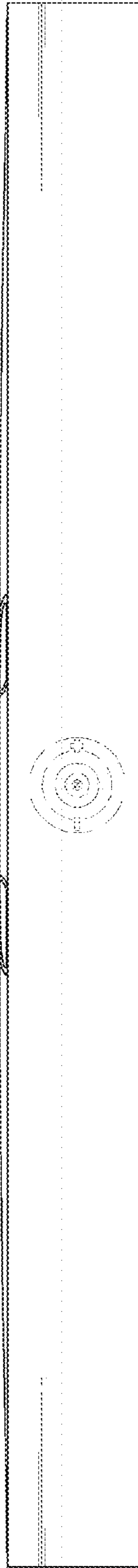


Fig. 7

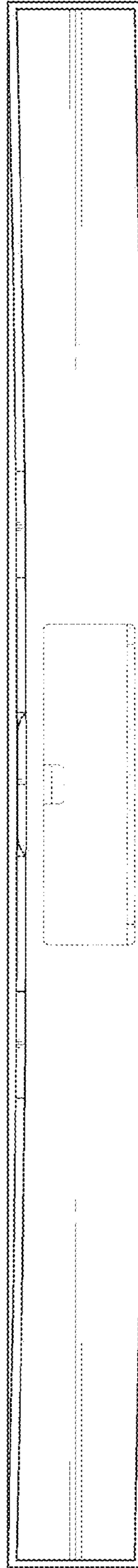


Fig. 8

