



US00D748069S

(12) **United States Design Patent**
Bose et al.

(10) **Patent No.:** **US D748,069 S**
(45) **Date of Patent:** **** Jan. 26, 2016**

(54) **SET TOP BOX**

(71) Applicant: **Technicolor USA Inc.**, Indianapolis, IN (US)

(72) Inventors: **William Hofmann Bose**, Nashville, IN (US); **William Phillip Dernier**, Indianapolis, IN (US); **Mickey Jay Hunt**, Camby, IL (US)

(73) Assignee: **TECHNICOLOR (USA) INC.**, Indianapolis, IN (US)

(**) Term: **14 Years**

(21) Appl. No.: **29/518,680**

(22) Filed: **Feb. 26, 2015**

(51) **LOC (10) Cl.** **14-03**

(52) **U.S. Cl.**
USPC **D14/125**

(58) **Field of Classification Search**
USPC D14/125, 357-358, 496, 188, 242, 432;
D13/184; 348/10, 460, 706, 731;
340/825.03; 455/6.1, 6.2; 312/223.1,
312/7.2
CPC H04N 5/50; H04N 5/64; H05K 5/02;
H05K 5/03; G06F 1/16

See application file for complete search history.

(56) **References Cited**

U.S. PATENT DOCUMENTS

D526,640	S	*	8/2006	Chin et al.	D14/188
D641,343	S	*	7/2011	Kim et al.	D14/240
D644,204	S	*	8/2011	Poandl	D14/215
D645,844	S	*	9/2011	McManigal	D14/214
D653,652	S	*	2/2012	Kroyer	D14/214
D676,420	S	*	2/2013	Holzer	D14/212
D676,421	S	*	2/2013	Garrett	D14/214
D692,413	S	*	10/2013	Holzer	D14/216

* cited by examiner

Primary Examiner — Randall Gholson

(74) *Attorney, Agent, or Firm* — Tutunjian & Bitetto, P.C.

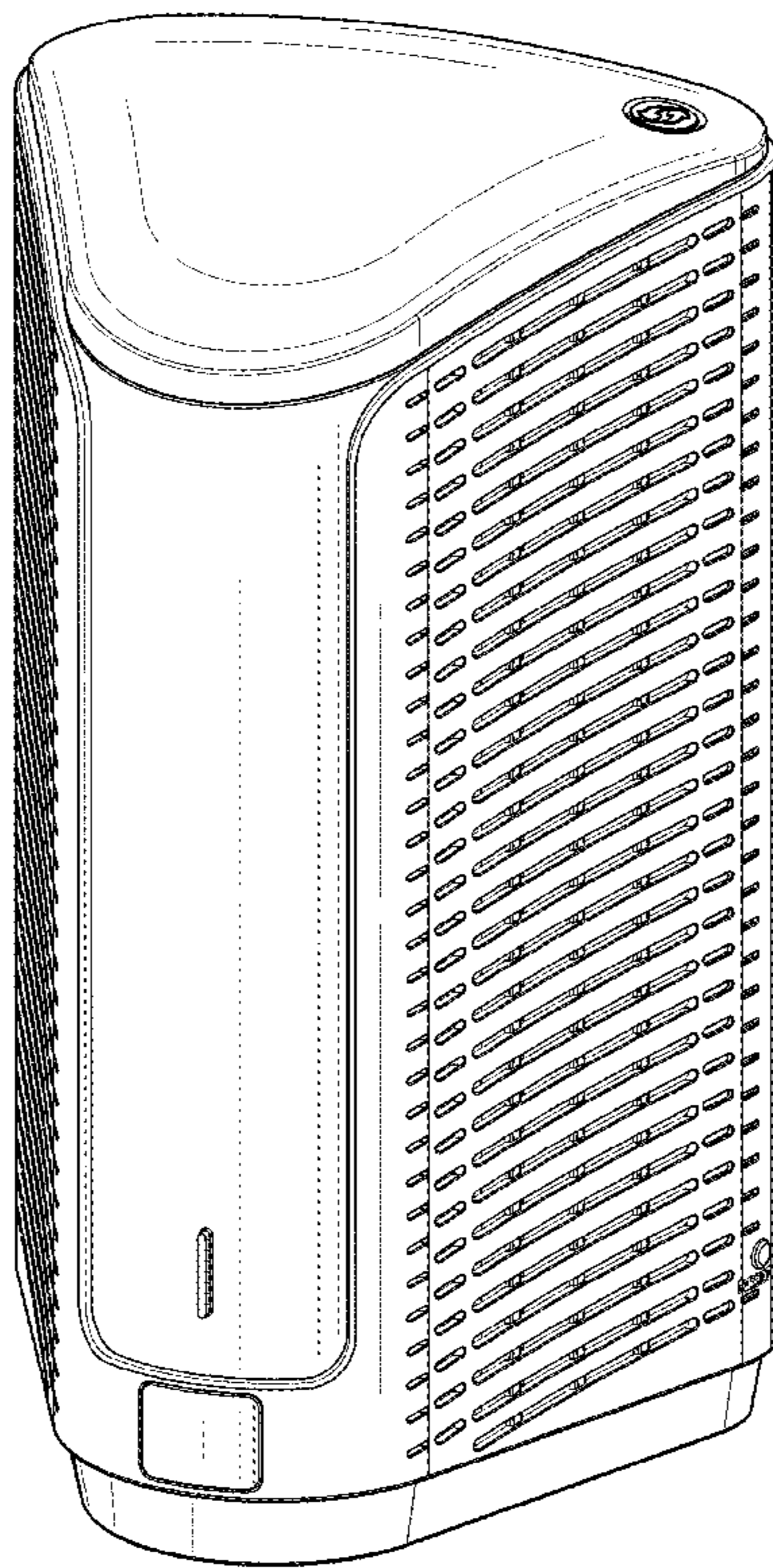
(57) **CLAIM**

The ornamental design for a set top box, as shown and described.

DESCRIPTION

FIG. 1 is a perspective view of the set top box showing our new design;
FIG. 2 is another perspective view thereof;
FIG. 3 is a front view thereof;
FIG. 4 is a left side view thereof;
FIG. 5 is rear view thereof;
FIG. 6 is a right side view thereof;
FIG. 7 is a top view thereof; and,
FIG. 8 is a bottom view thereof.
The broken lines depict portions of the set top box that form no part of the claimed design.

1 Claim, 7 Drawing Sheets



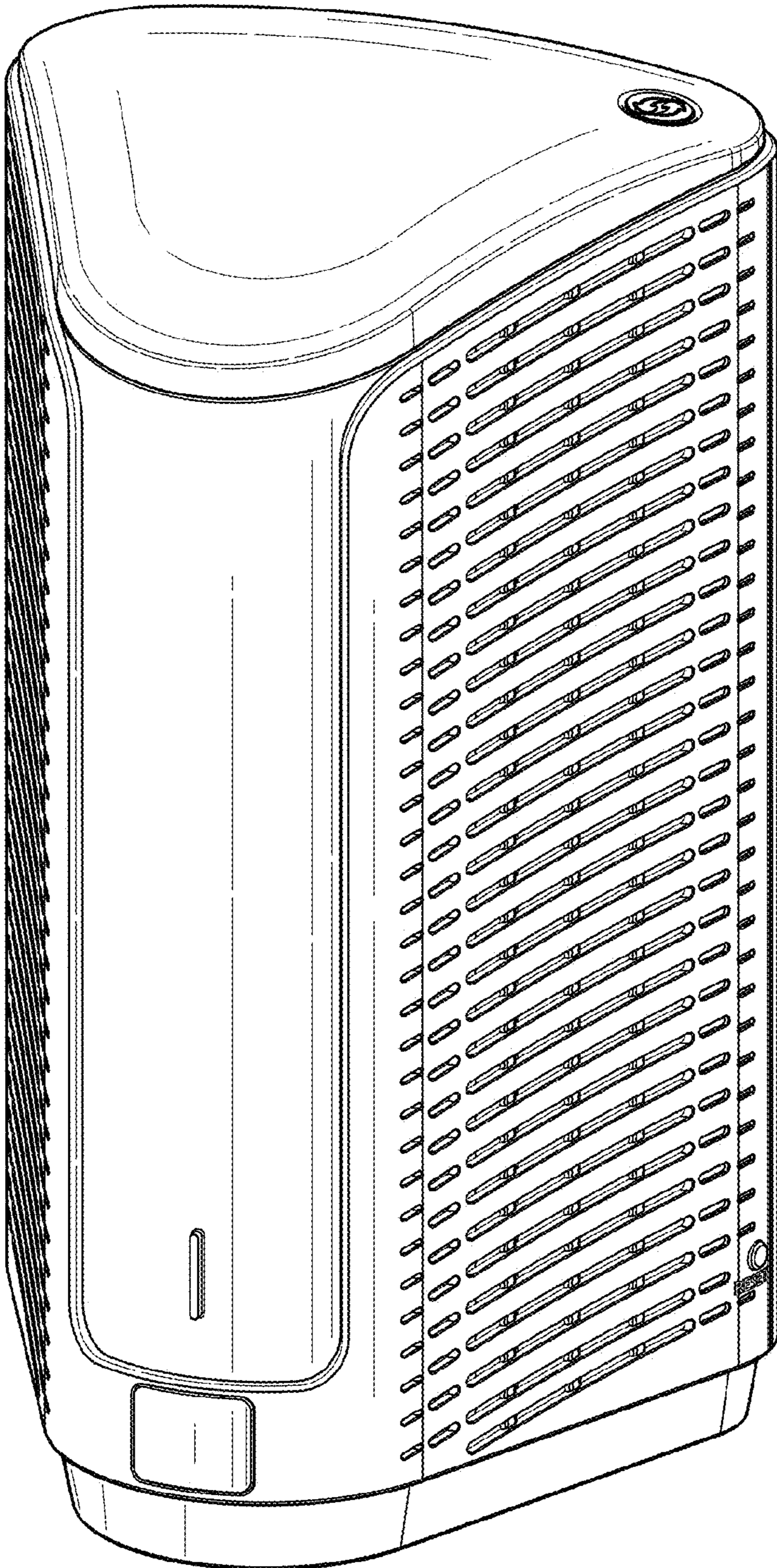


FIG. 1

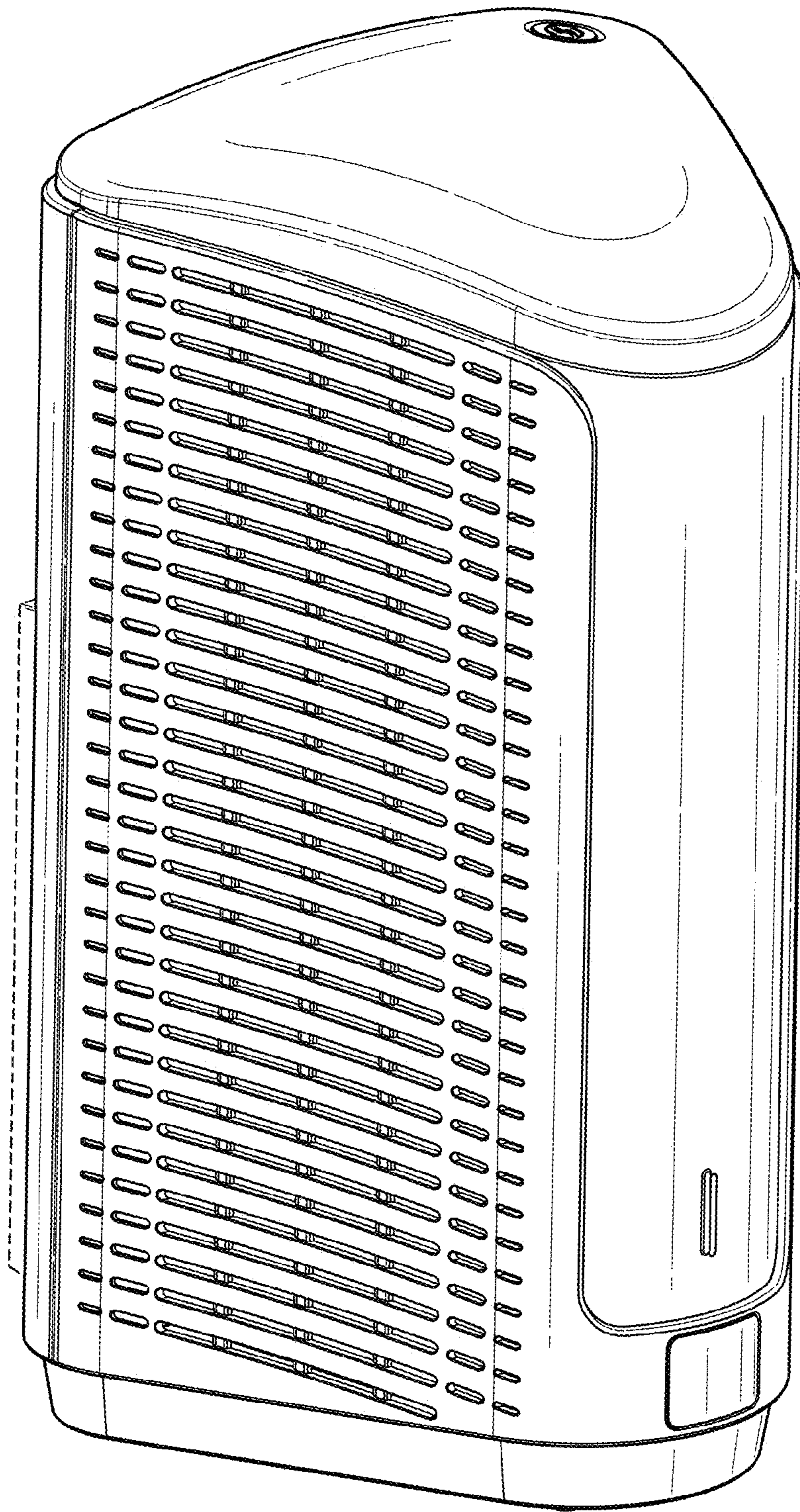


FIG. 2

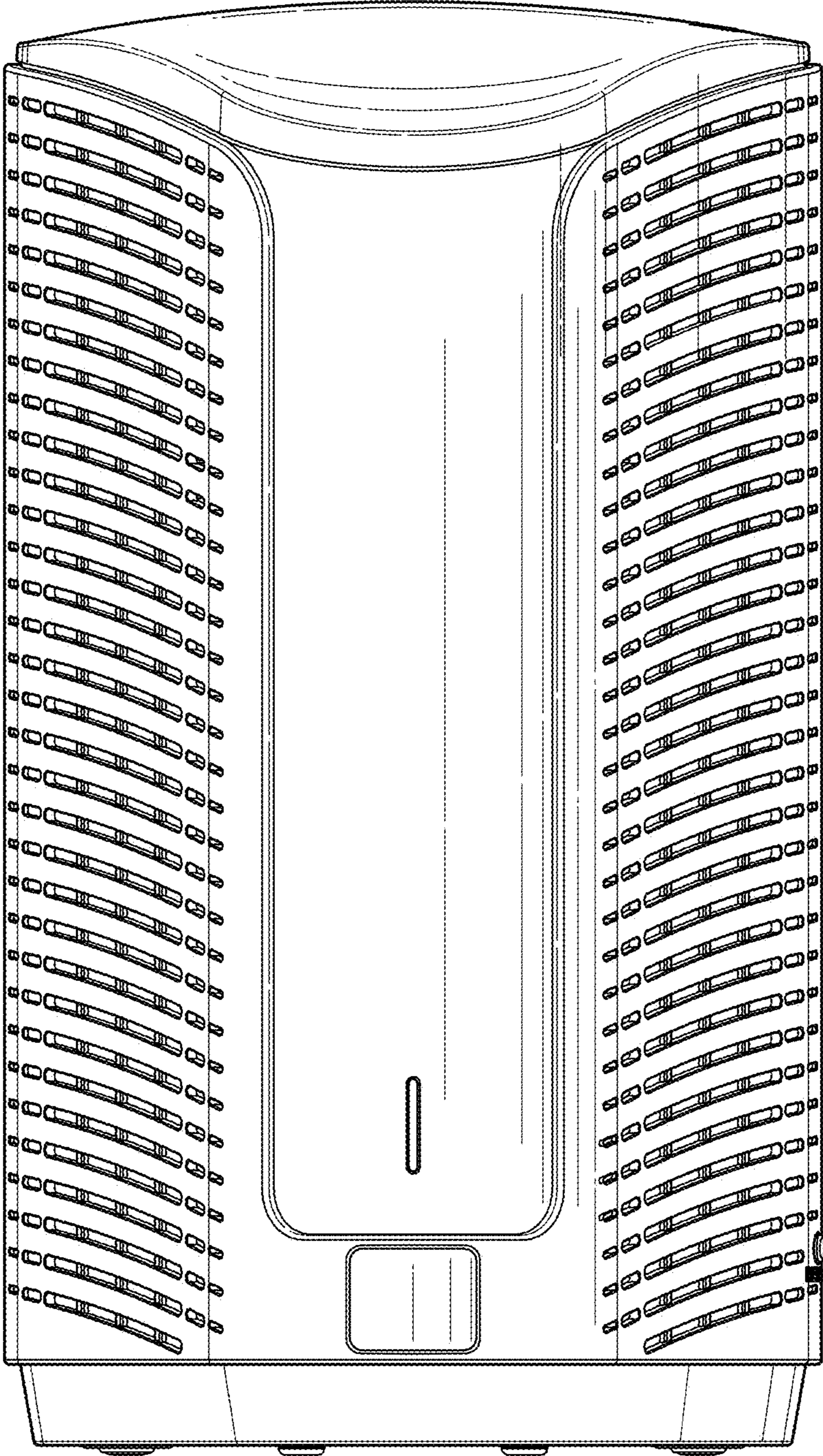


FIG. 3

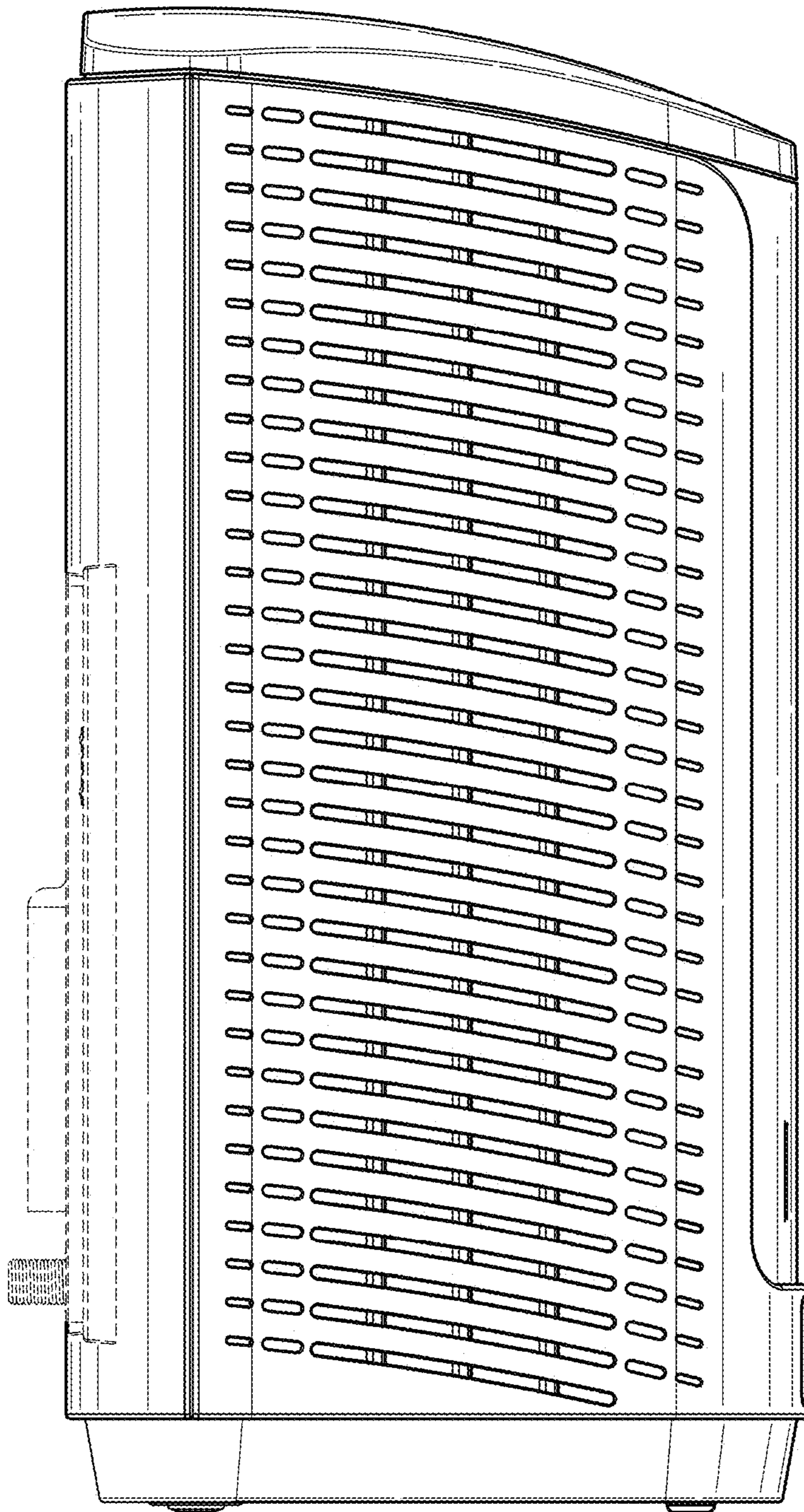


FIG. 4

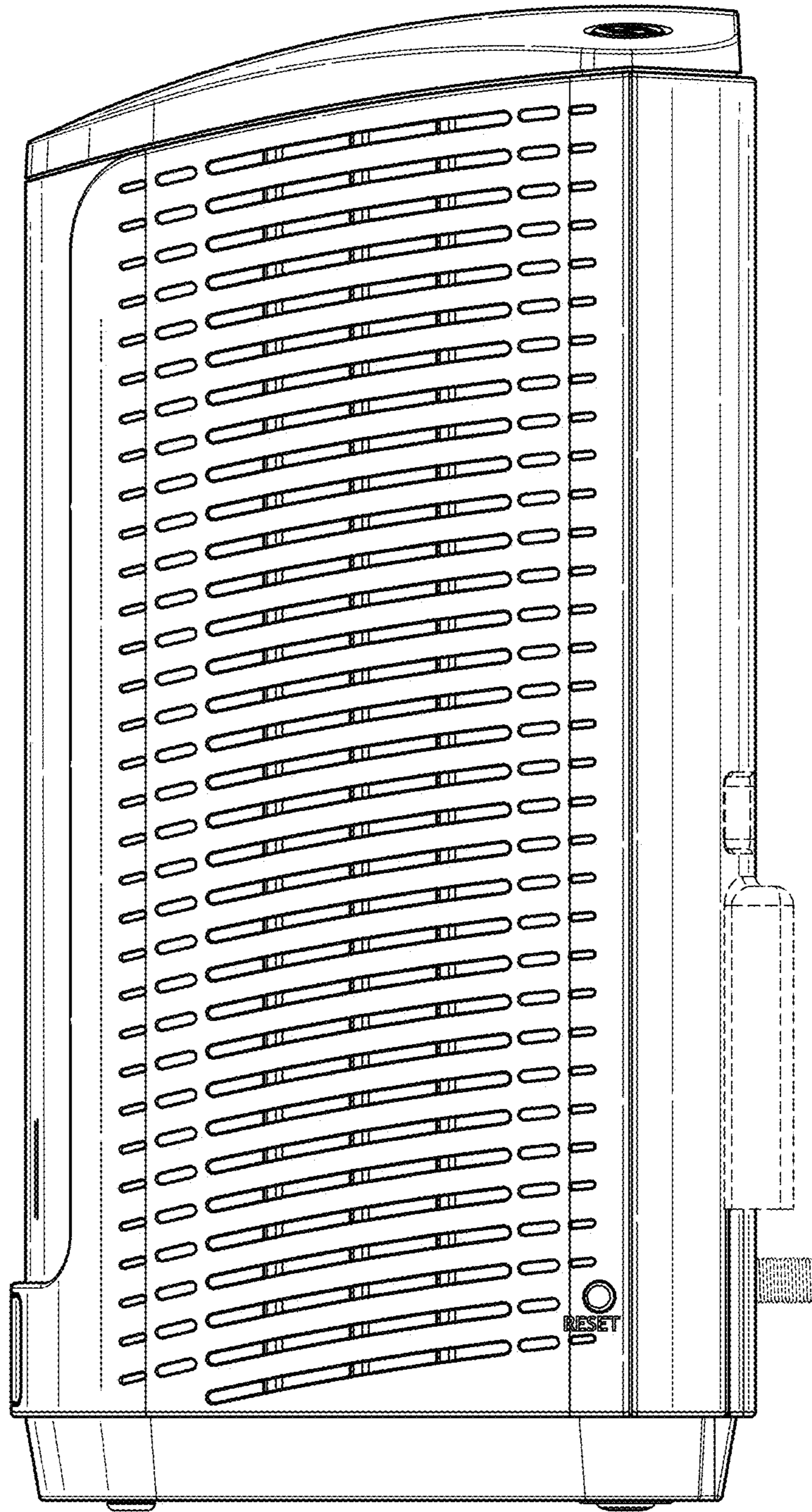


FIG. 5

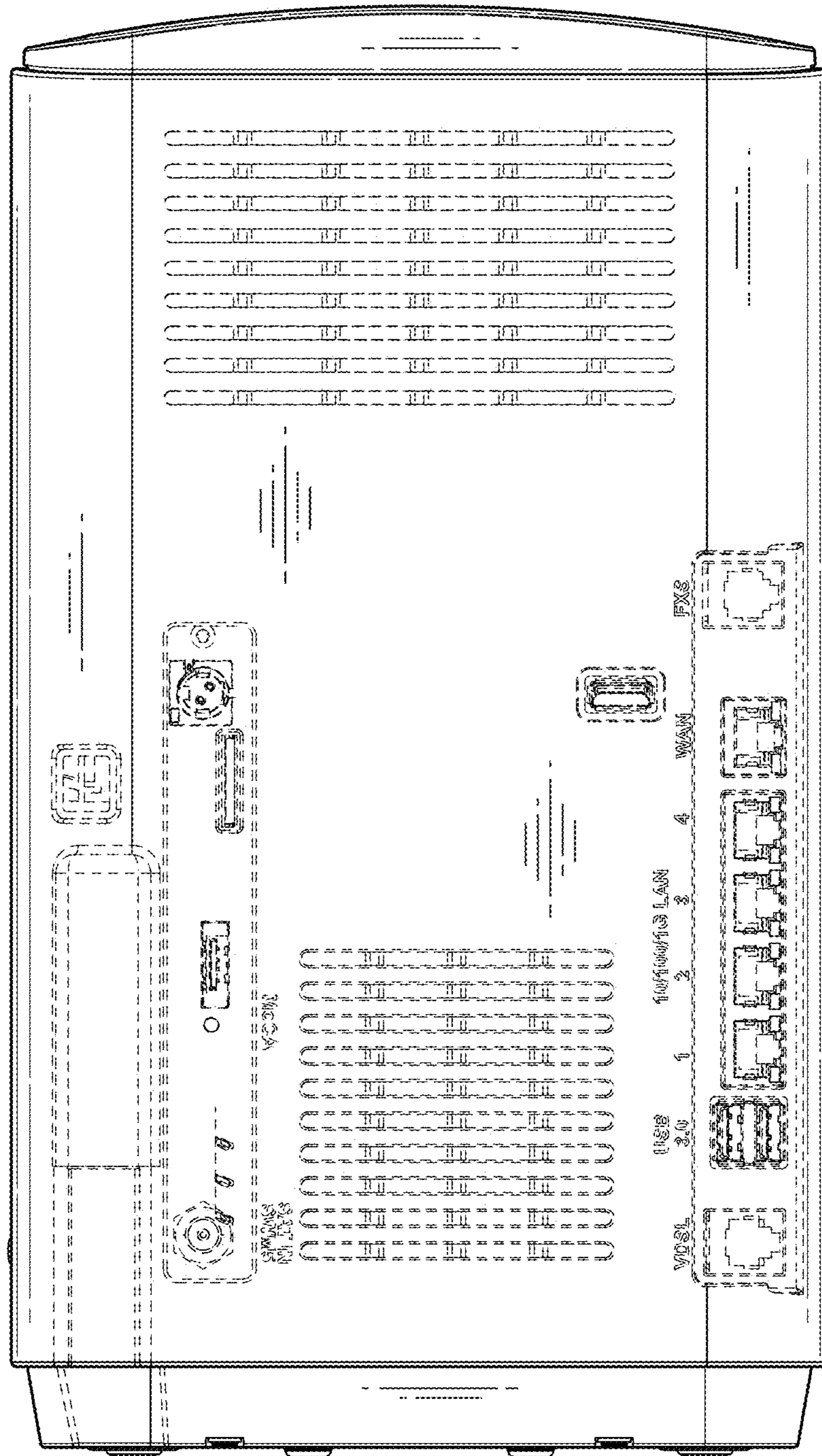


FIG. 6

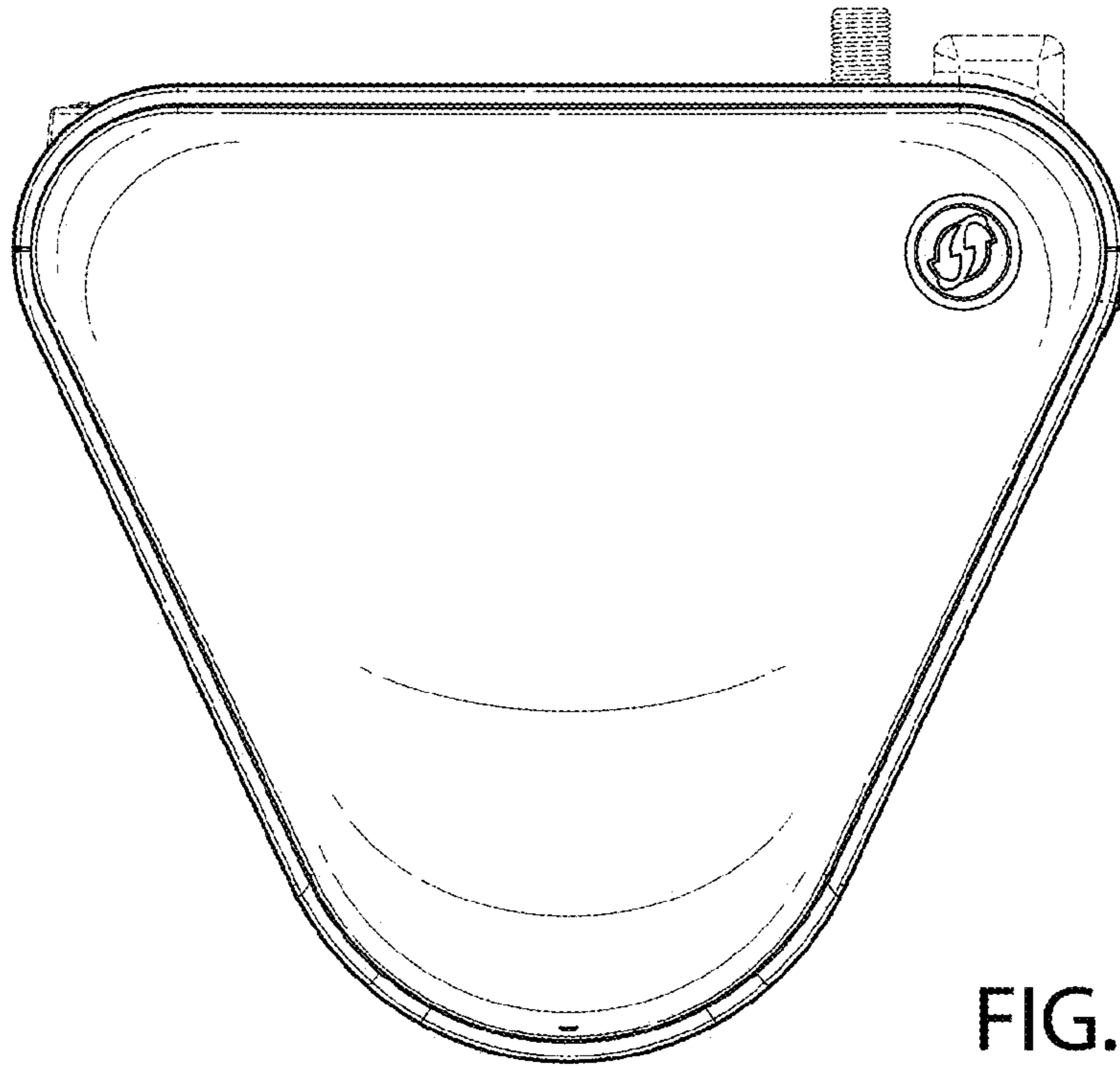


FIG. 7

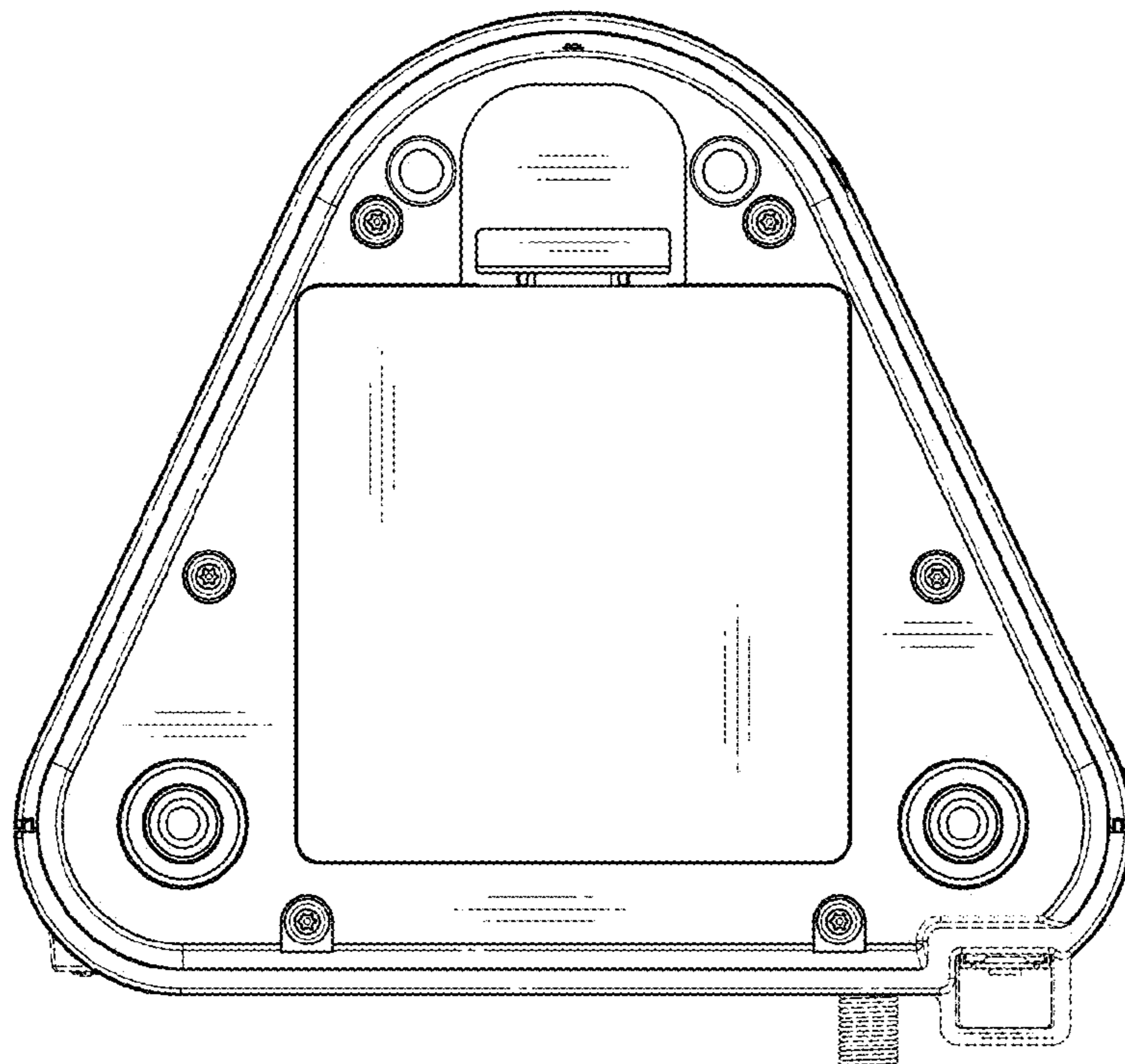


FIG. 8