



US00D748067S

(12) **United States Design Patent**
Gumhold et al.

(10) **Patent No.:** **US D748,067 S**

(45) **Date of Patent:** **** Jan. 26, 2016**

(54) **LED LIGHTING UNIT**

(71) Applicant: **Tridonic Jennersdorf GMBH,**
Jennersdorf (AT)

(72) Inventors: **Juergen Gumhold,** Jennersdorf (AT);
Christian Fragner, Loipersdorf (AT);
Florian Wimmer, Vienna (AT); **Franz**
Hardinger, Hatzendorf (AT); **Bernhard**
Fink, Riegersburg (AT)

(73) Assignee: **Tridonic Jennersdorf GMBH,**
Jennersdorf (AT)

(**) Term: **14 Years**

(21) Appl. No.: **29/503,233**

(22) Filed: **Sep. 24, 2014**

(30) **Foreign Application Priority Data**

Mar. 27, 2014 (EM) 001 407 191

(51) **LOC (10) Cl.** **13-03**

(52) **U.S. Cl.**
USPC **D13/180**

(58) **Field of Classification Search**
USPC D13/180; D26/1
CPC ... H01L 25/167; H01L 25/0753; H01L 27/15;
H01L 27/156; H01L 31/02; H01L 33/00;
H01L 33/04; H01L 33/08; H01L 33/10;
H01L 33/20; H01L 33/38; H01L 33/42;
H01L 33/48; H01L 33/483; H01L 33/486

See application file for complete search history.

(56) **References Cited**

U.S. PATENT DOCUMENTS

D589,470 S *	3/2009	Chen	D13/180
D607,420 S *	1/2010	Imai	D13/180
D618,635 S *	6/2010	Imai	D13/180
D650,760 S *	12/2011	Hussell	D13/180
D669,041 S *	10/2012	Imai	D13/180
D676,000 S *	2/2013	Hussell	D13/180

(Continued)

Primary Examiner — Selina Sikder

(74) *Attorney, Agent, or Firm* — Marshall, Gerstein & Borun
LLP

(57) **CLAIM**

The ornamental design for an LED lighting unit, as shown and described.

DESCRIPTION

FIG. 1 is a front, top, and right-side view of an LED lighting unit that has the design.

FIG. 2 is a back elevation view of the LED lighting unit.

FIG. 3 is a left elevation view of the LED lighting unit.

FIG. 4 is a top plan view of the LED lighting unit.

FIG. 5 is a right elevation view of the LED lighting unit.

FIG. 6 is a front elevation view of the LED lighting unit.

FIG. 7 is a bottom plan view of the LED lighting unit.

FIG. 8 is a front, top, and right-side view of an LED lighting unit that has a second embodiment of the design.

FIG. 9 is a back elevation view of the LED lighting unit.

FIG. 10 is a left elevation view of the LED lighting unit.

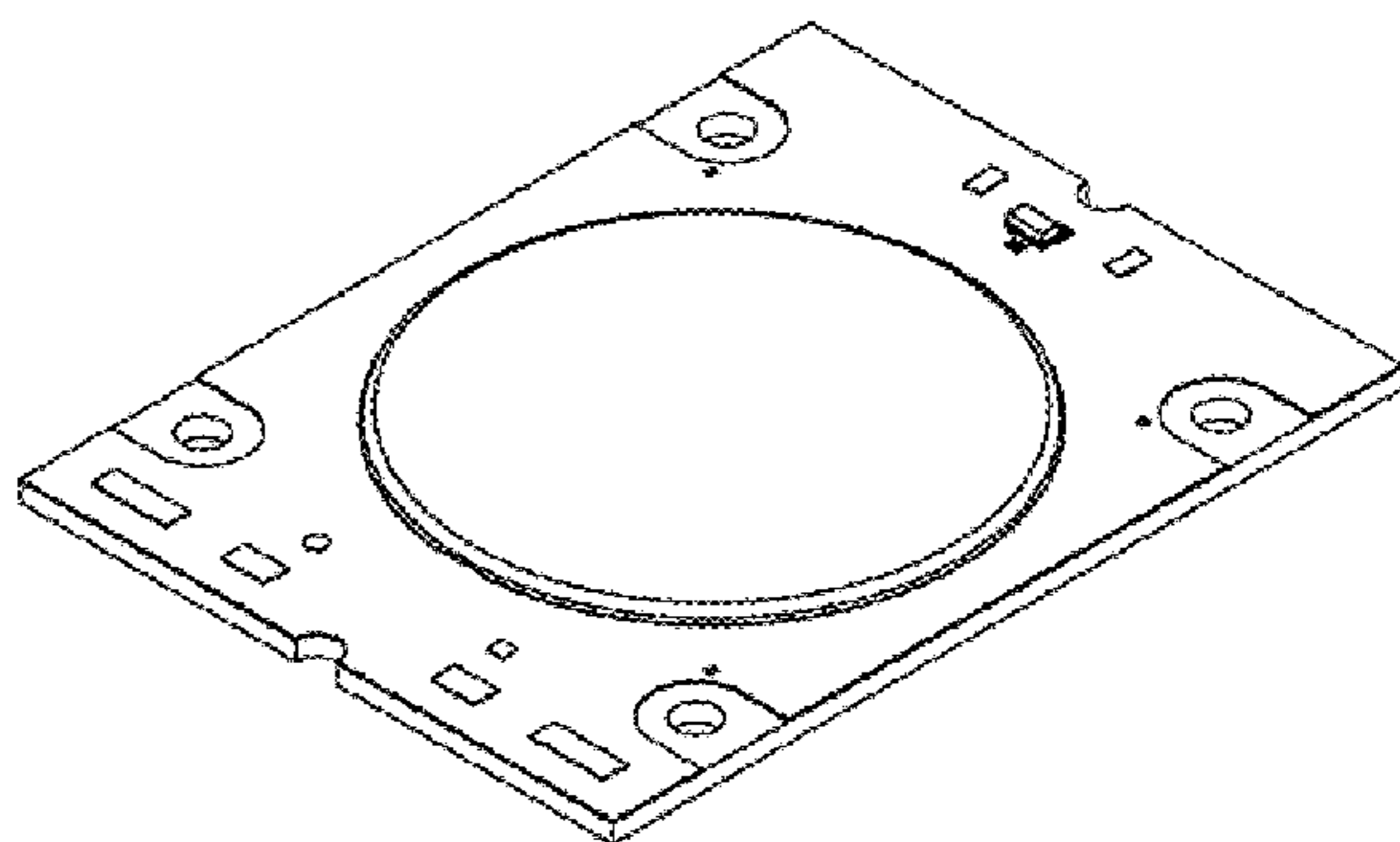
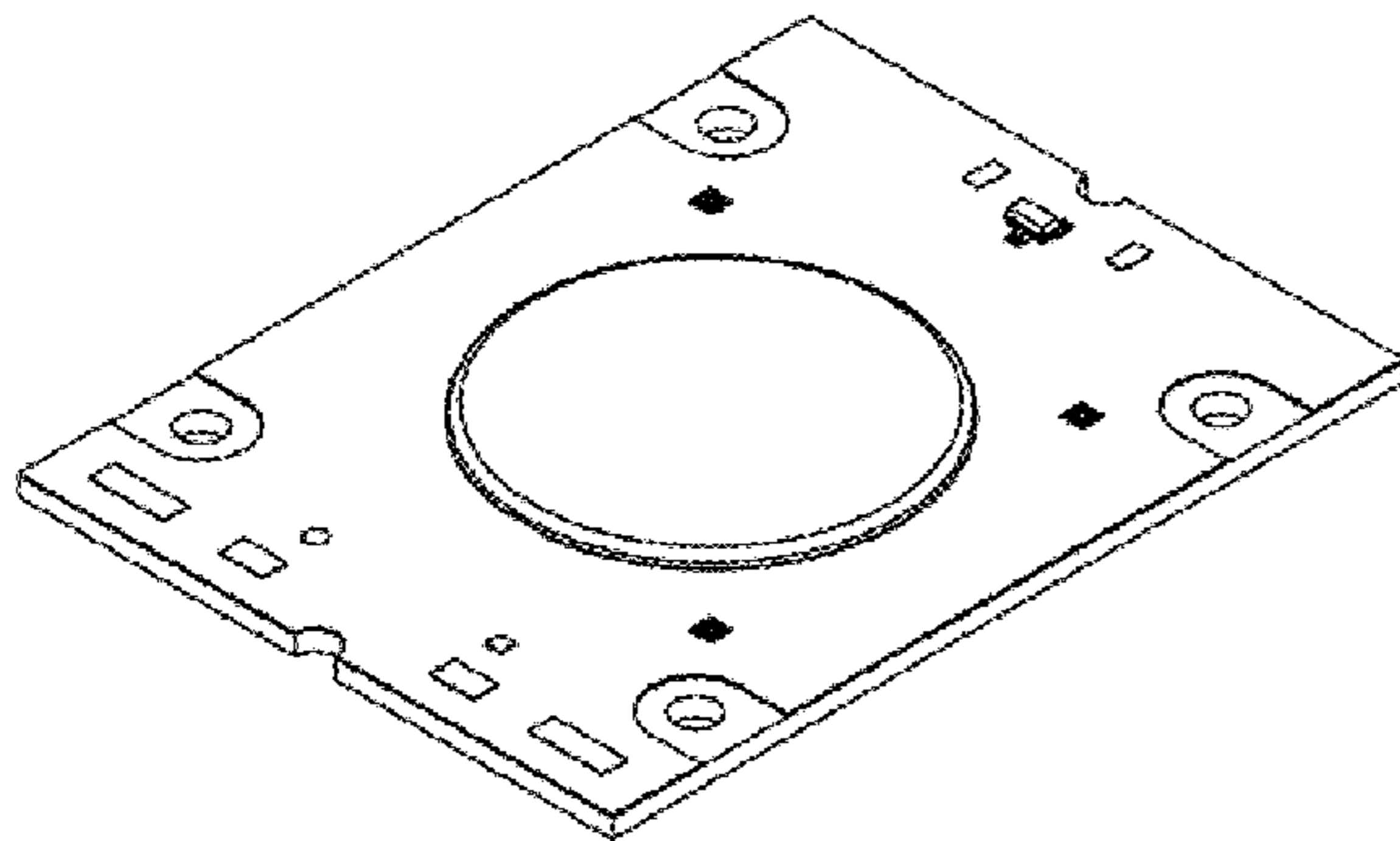
FIG. 11 is a top plan view of the LED lighting unit.

FIG. 12 is a right elevation view of the LED lighting unit.

FIG. 13 is a front elevation view of the LED lighting unit; and,

FIG. 14 is a bottom plan view of the LED lighting unit.

1 Claim, 6 Drawing Sheets



(56)

References Cited

U.S. PATENT DOCUMENTS

D698,322 S *	1/2014	Takeda	D13/180	9,018,832 B2 *	4/2015	Agatani	H01L 25/0753 313/498
D700,585 S *	3/2014	Takeda	D13/180	9,024,334 B2 *	5/2015	Agatani	F21K 9/00 257/100
8,772,819 B2 *	7/2014	Hwu	H01L 25/0753 257/100	9,029,905 B2 *	5/2015	Lin	H01L 33/52 257/99
8,921,873 B2 *	12/2014	Takeda	H01L 25/0753 257/88	9,039,257 B2 *	5/2015	Noro	F21V 19/0035 362/382
D721,339 S *	1/2015	Hussell	D13/180	9,059,376 B2 *	6/2015	Chou	H01L 25/0753
8,952,398 B2 *	2/2015	Lin	F21K 9/00 257/88	9,130,140 B2 *	9/2015	Tsuchiya	H01L 33/641
9,018,648 B2 *	4/2015	Chiu	H01L 25/0753 257/79	9,146,026 B2 *	9/2015	Funakubo	F21V 21/00
					D740,768 S *	10/2015	Takeda	D13/180

* cited by examiner

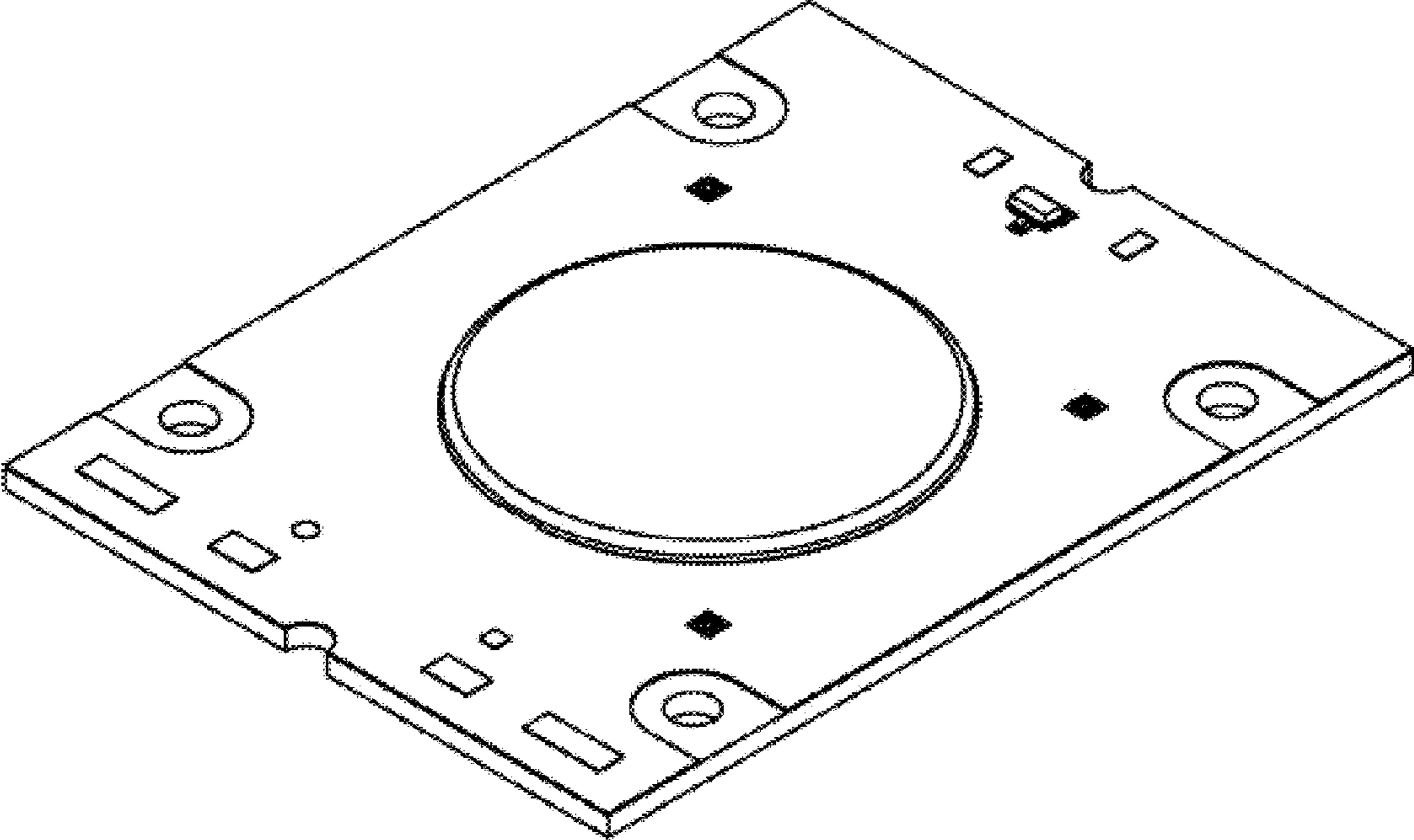


FIG. 1



FIG. 2



FIG. 3

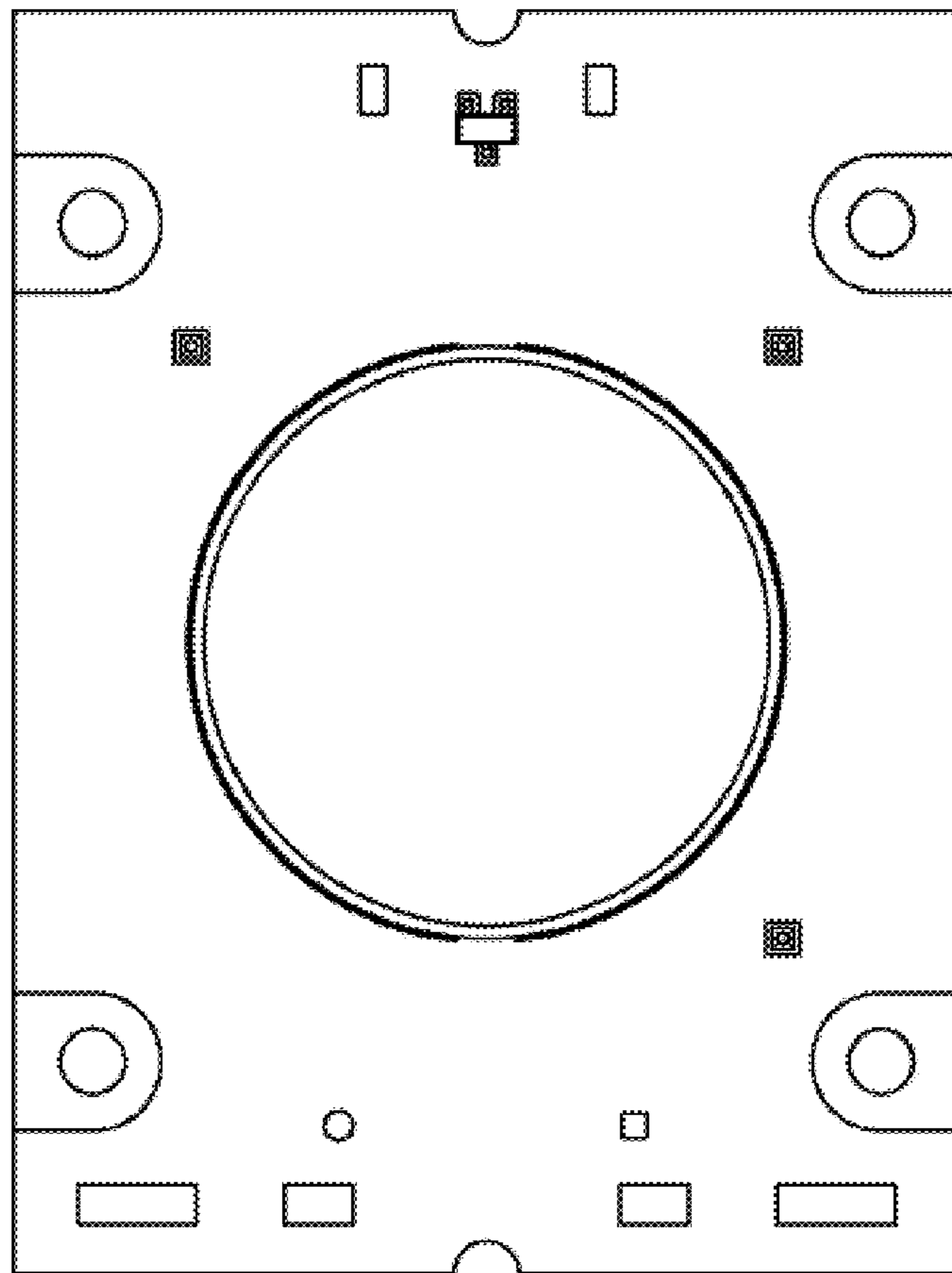


FIG. 4



FIG. 5



FIG. 6

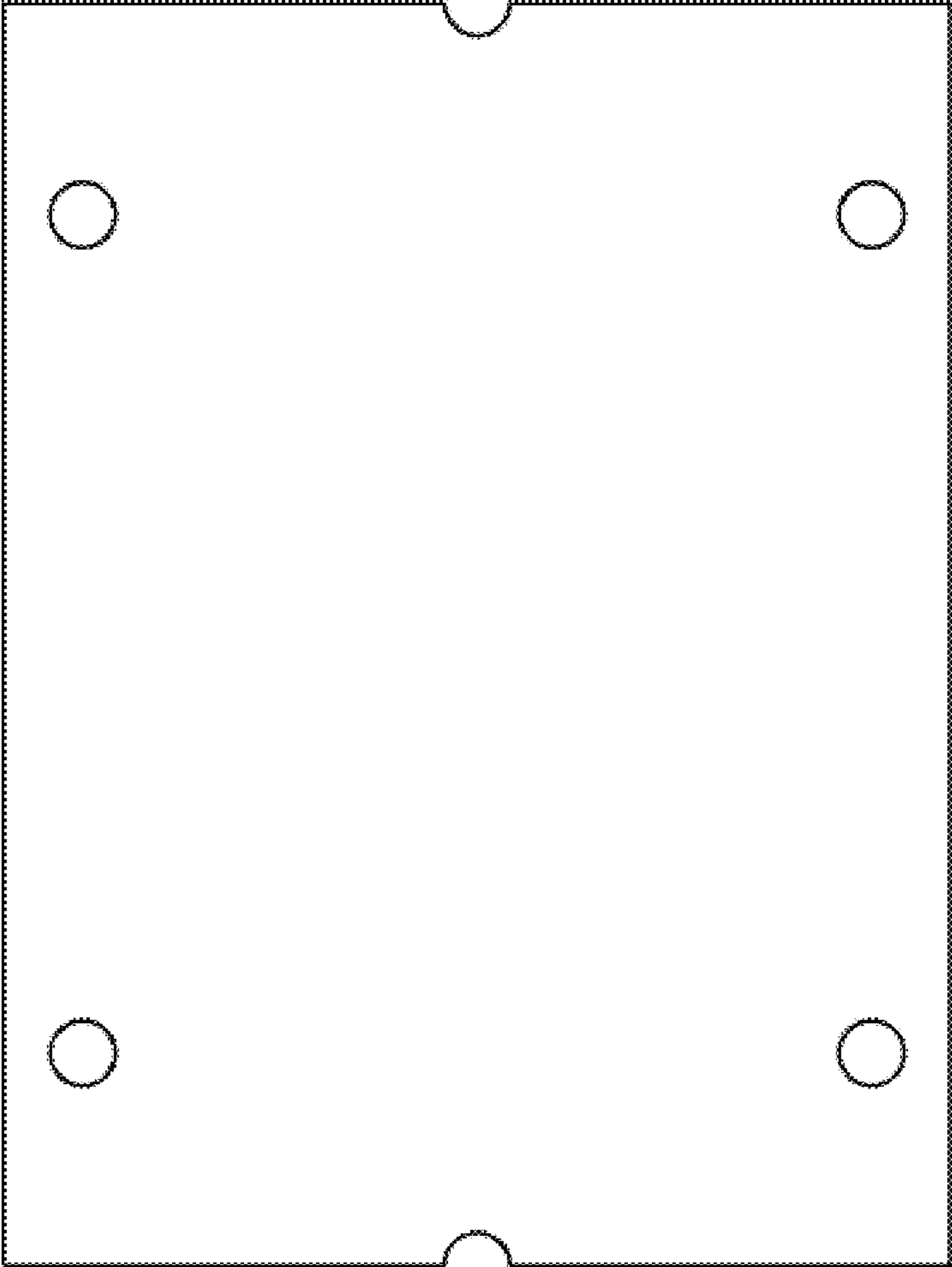


FIG. 7

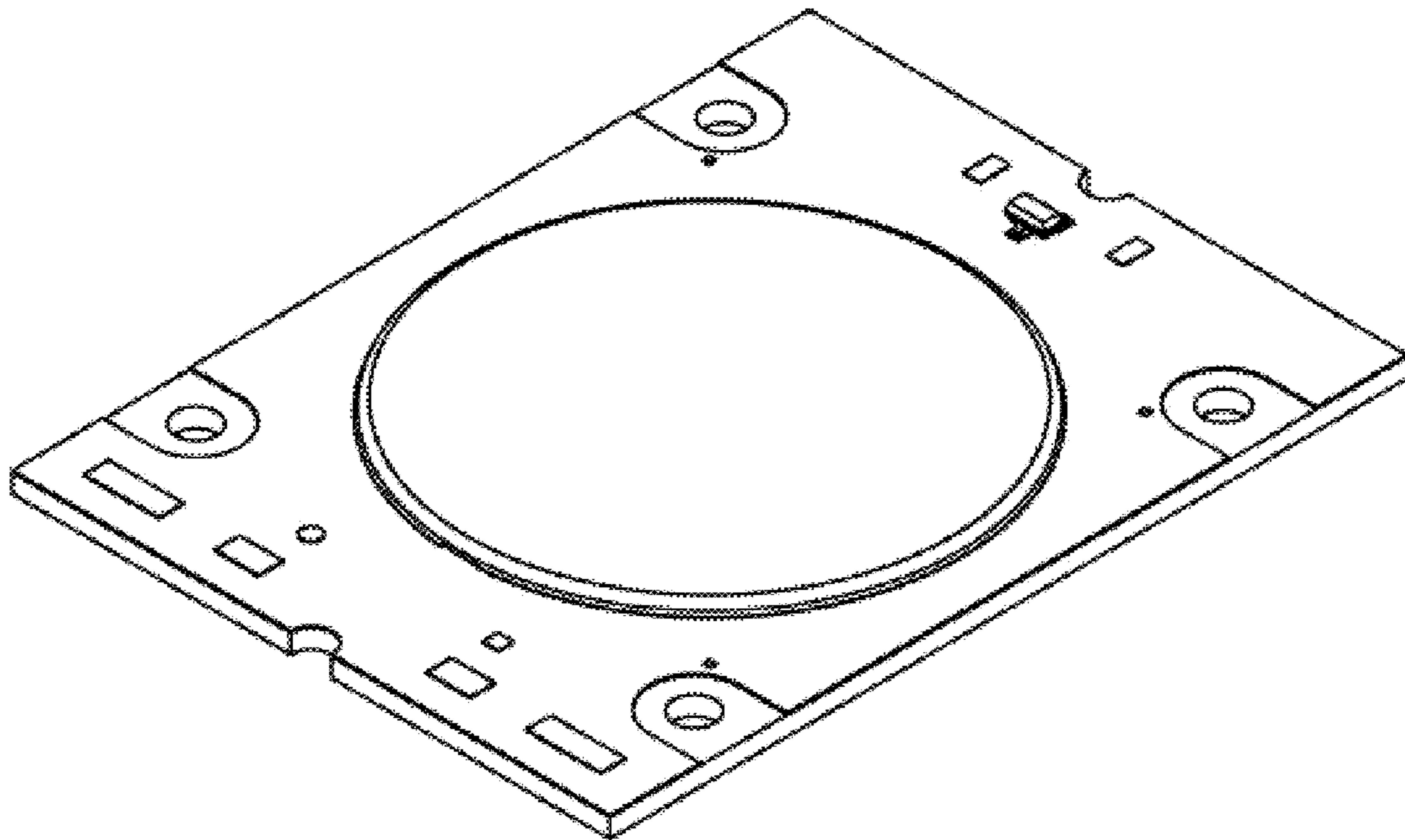


FIG. 8

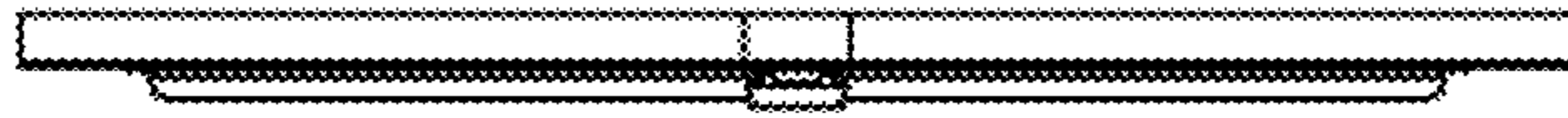


FIG. 9

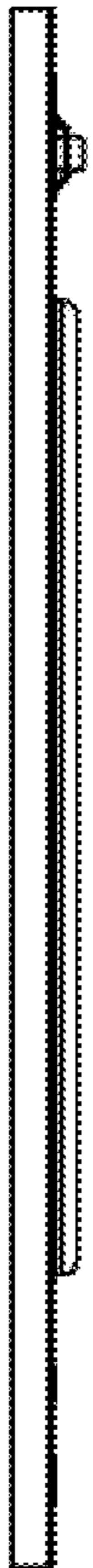


FIG. 10

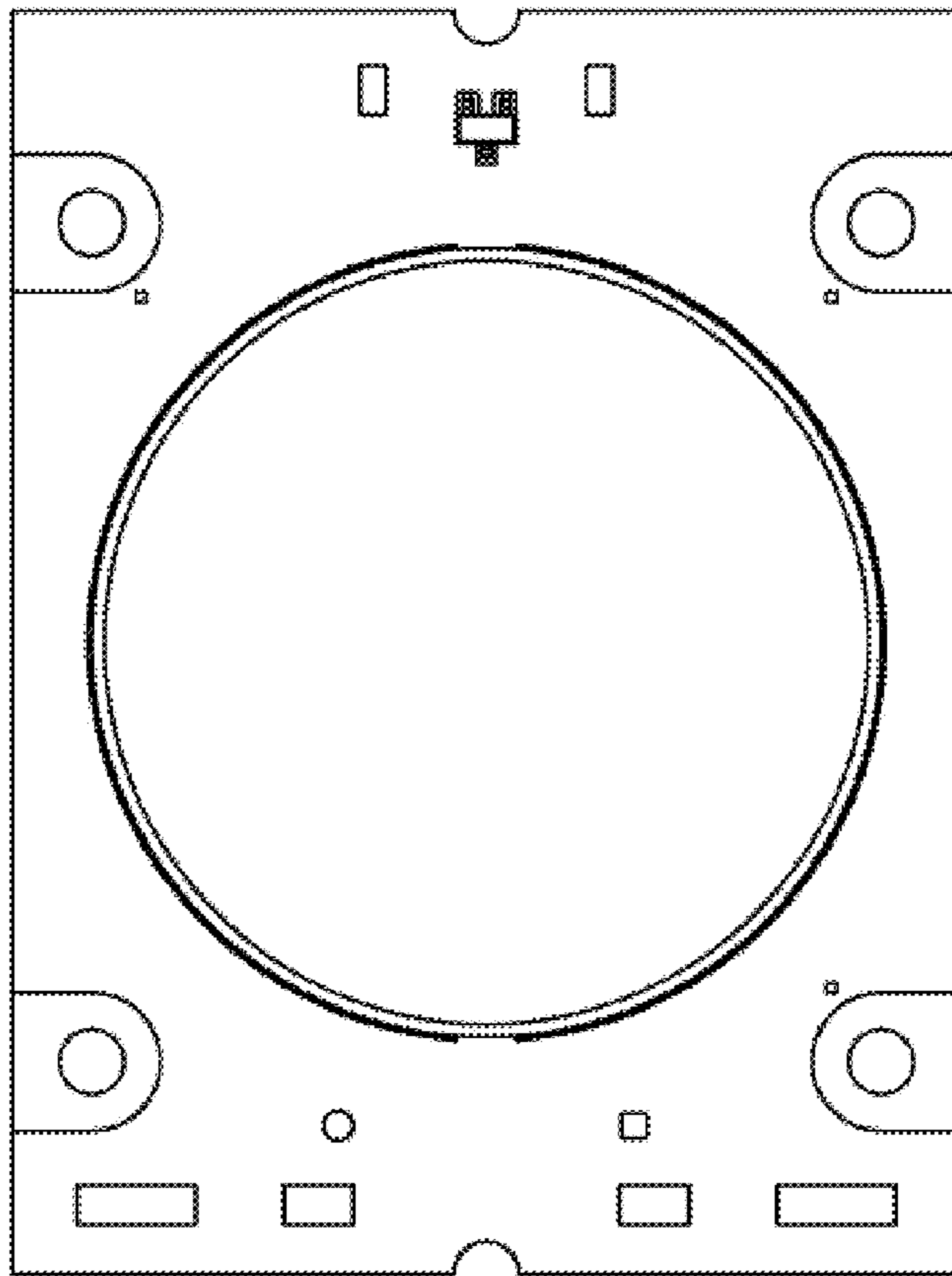


FIG. 11

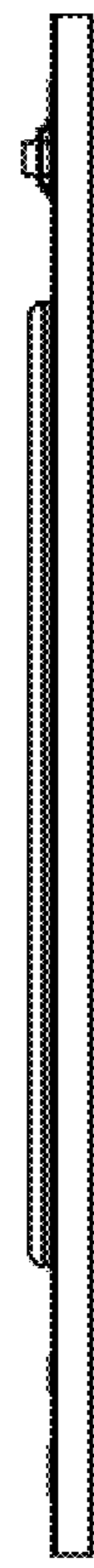


FIG. 12



FIG. 13

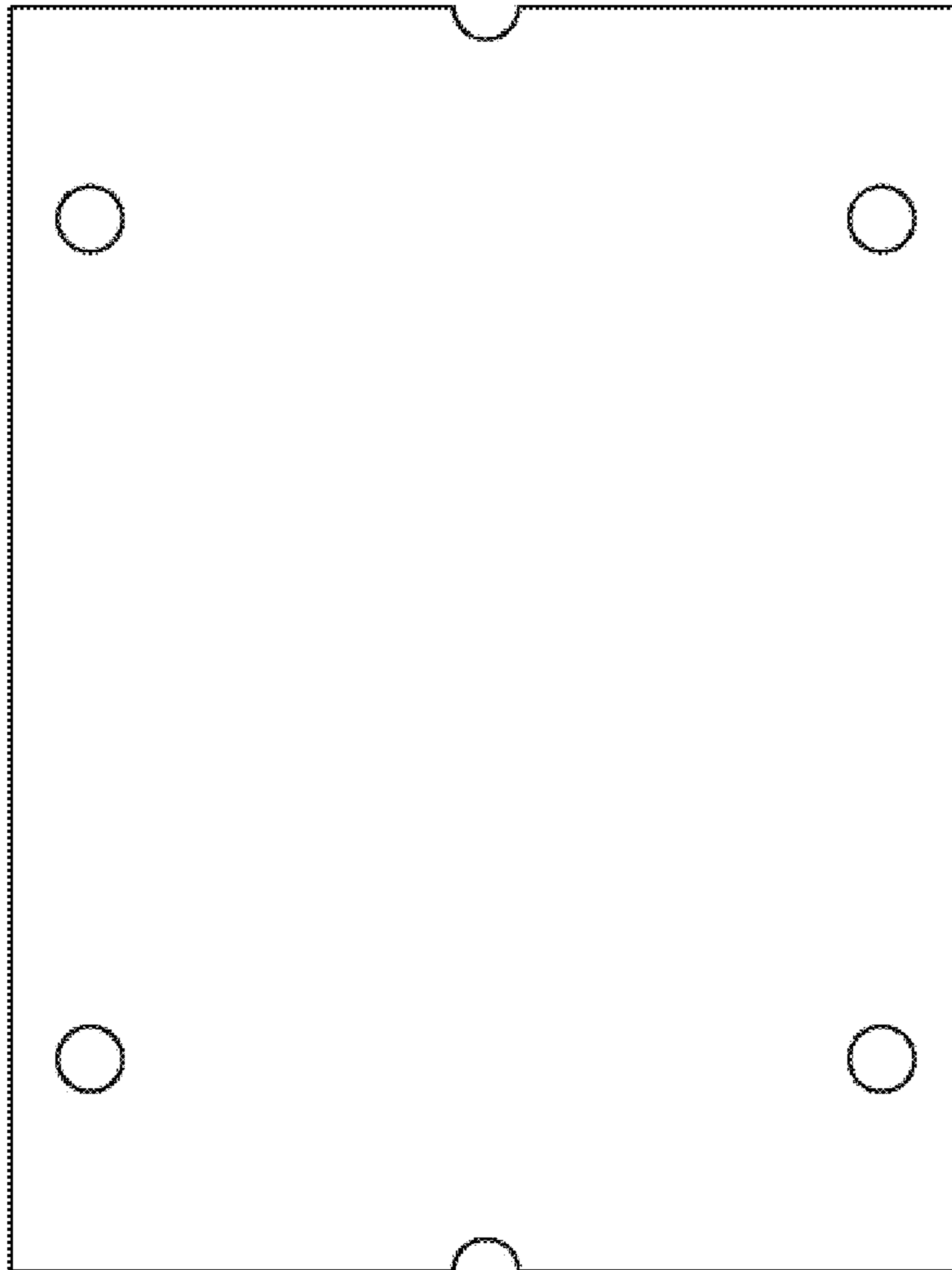


FIG. 14