



US00D748062S

(12) **United States Design Patent**
Akana et al.

(10) **Patent No.:** **US D748,062 S**
(45) **Date of Patent:** **** Jan. 26, 2016**

(54) **COMPONENT FOR ELECTRONIC DEVICE**

(71) Applicant: **Apple Inc.**, Cupertino, CA (US)

(72) Inventors: **Jody Akana**, San Francisco, CA (US);
Bartley K. Andre, Palo Alto, CA (US);
Shota Aoyagi, San Francisco, CA (US);
Anthony Michael Ashcroft, San Francisco, CA (US);
Jeremy Bataillou, San Francisco, CA (US);
Daniel J. Coster, San Francisco, CA (US);
Daniele De Iuliis, San Francisco, CA (US);
M. Evans Hankey, San Francisco, CA (US);
Julian Hoenig, San Francisco, CA (US);
Richard P. Howarth, San Francisco, CA (US);
Jonathan P. Ive, San Francisco, CA (US);
Duncan Robert Kerr, San Francisco, CA (US);
Eric Nyland, Santa Clara, CA (US);
Marwan Rammah, San Francisco, CA (US);
Matthew Dean Rohrbach, San Francisco, CA (US);
Peter Russell-Clarke, San Francisco, CA (US);
Benjamin Andrew Shaffer, San Jose, CA (US);
Mikael Silvanto, San Francisco, CA (US);
Christopher J. Stringer, Woodside, CA (US);
Eugene Antony Whang, San Francisco, CA (US);
Rico Zörkendörfer, San Francisco, CA (US)

(73) Assignee: **Apple Inc.**, Cupertino, CA (US)

(**) Term: **14 Years**

(21) Appl. No.: **29/501,053**

(22) Filed: **Aug. 29, 2014**

(51) **LOC (10) Cl.** **13-03**

(52) **U.S. Cl.**

USPC **D13/154**; D13/147

(58) **Field of Classification Search**

USPC D14/432

See application file for complete search history.

(56) **References Cited**

U.S. PATENT DOCUMENTS

D516,522 S *	3/2006	Kondas	D13/154
D568,246 S *	5/2008	Wu	D13/133
D578,127 S *	10/2008	Crisp	D14/432
D615,493 S *	5/2010	Kalis	D13/120
D644,186 S *	8/2011	Qu	D13/154
D662,922 S	7/2012	Akana et al.		
D673,956 S *	1/2013	Yokoyama	D14/432
D688,630 S *	8/2013	Chapman	D13/154
D717,800 S	11/2014	Akana et al.		

* cited by examiner

Primary Examiner — Daniel Bui

(74) *Attorney, Agent, or Firm* — Sterne, Kessler, Goldstein & Fox P.L.L.C.

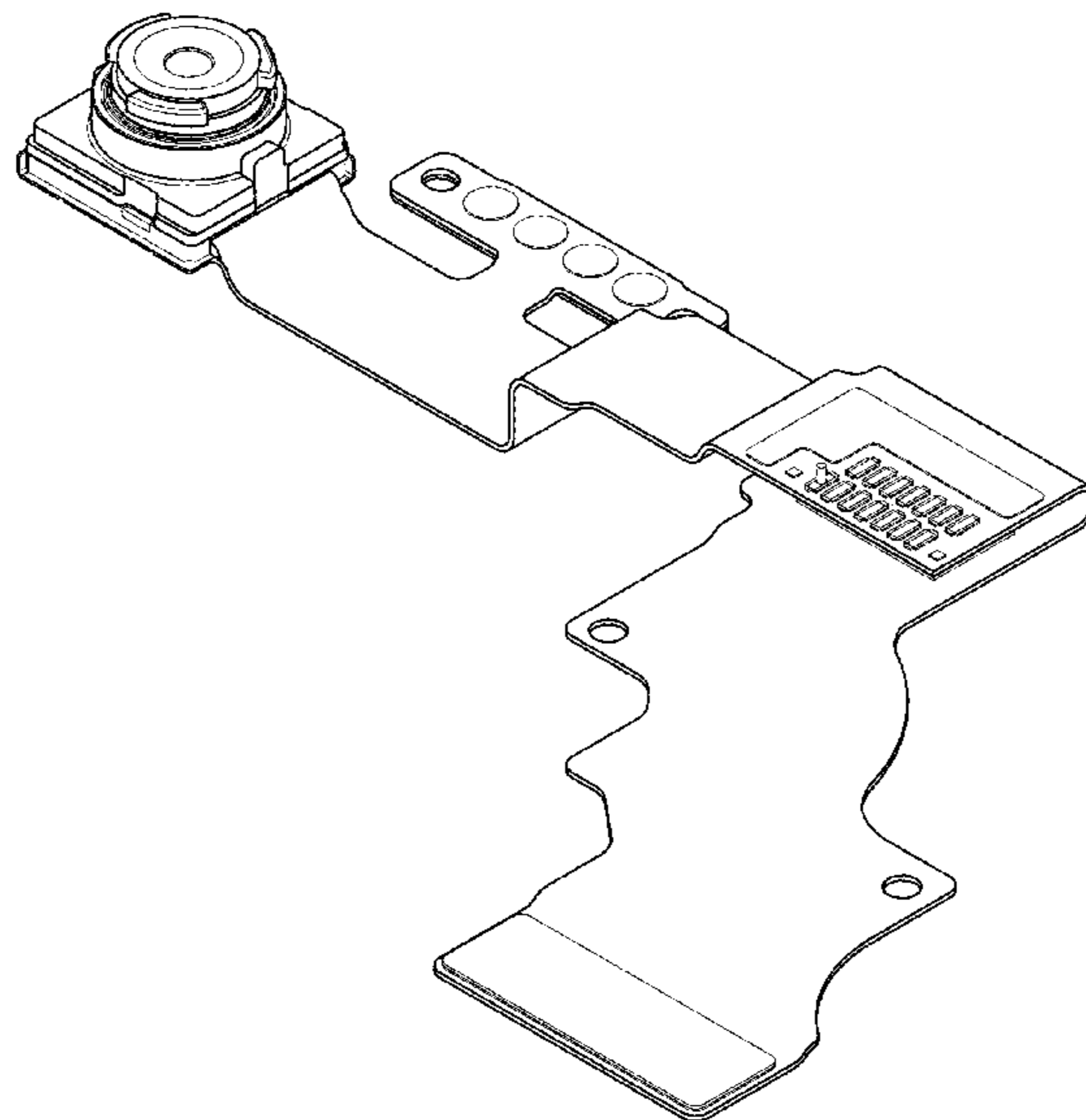
(57) **CLAIM**

The ornamental design for a component for electronic device, as shown and described.

DESCRIPTION

FIG. 1 is a front perspective view of a component for electronic device showing our new design;
FIG. 2 is a front elevation view thereof;
FIG. 3 is a rear elevation view thereof;
FIG. 4 is a left side elevation view thereof;
FIG. 5 is a right side elevation view thereof;
FIG. 6 is a top plan view thereof; and,
FIG. 7 is a bottom plan view thereof.

1 Claim, 7 Drawing Sheets



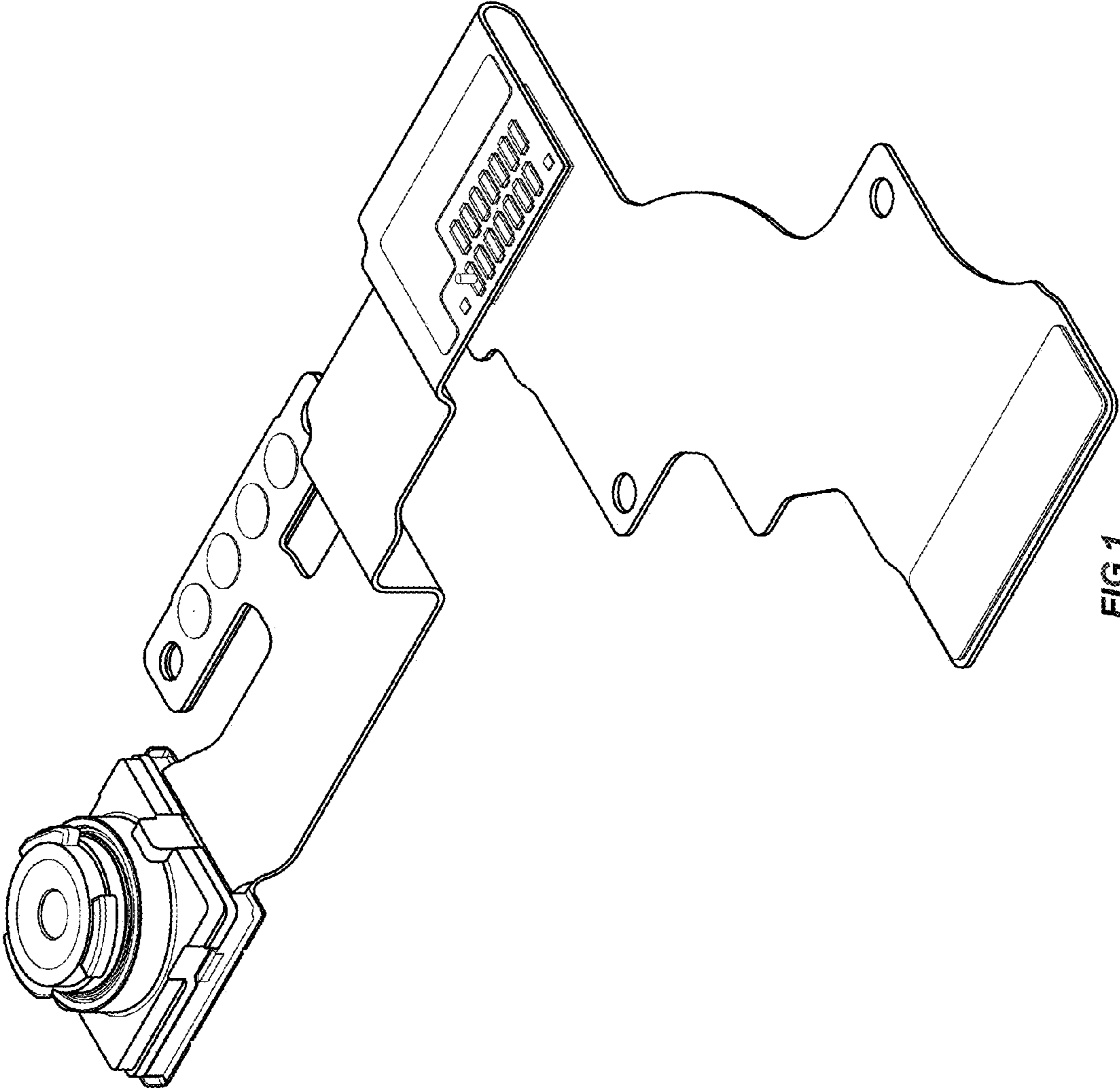


FIG.1

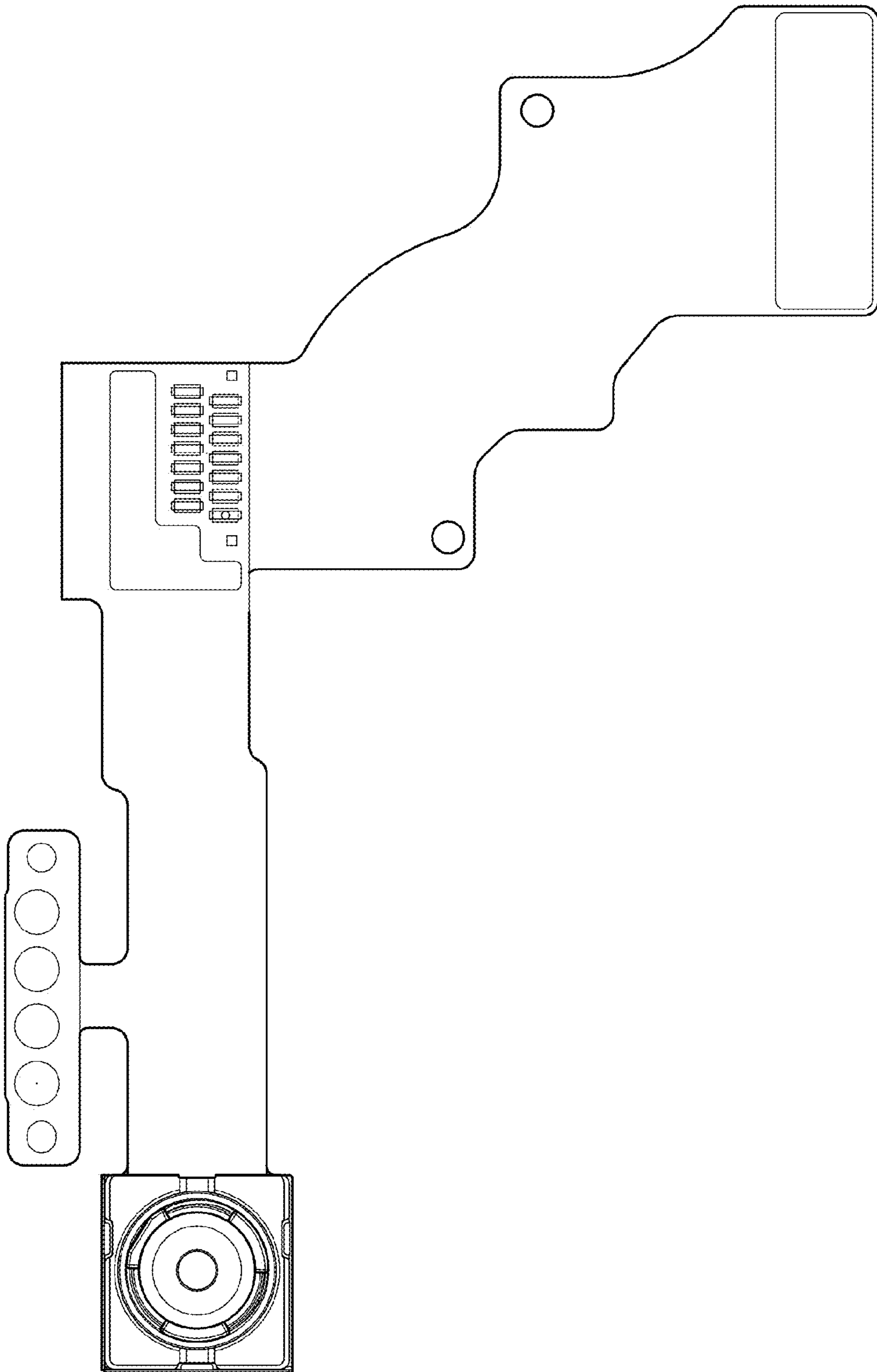


FIG.2

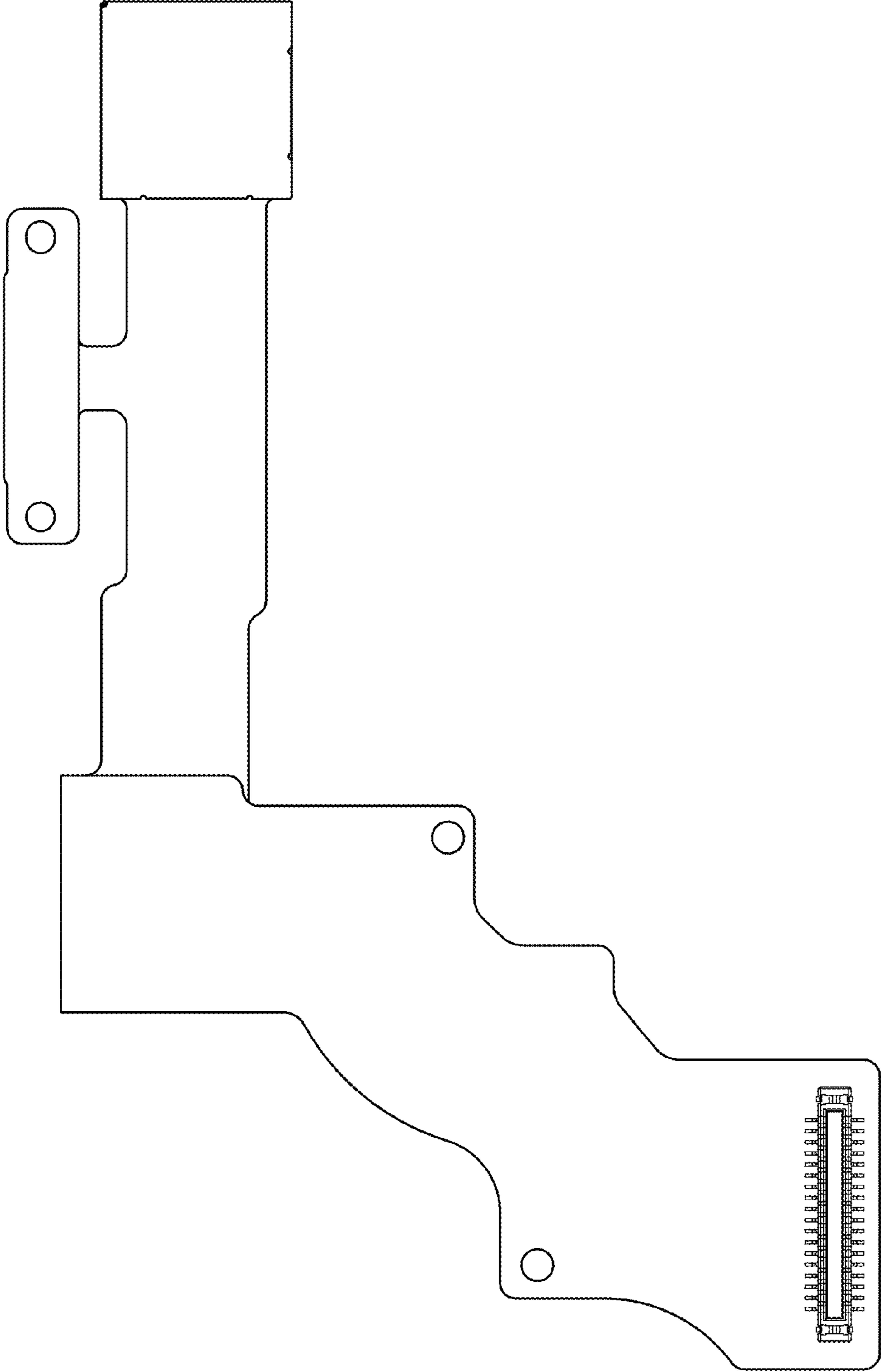


FIG.3

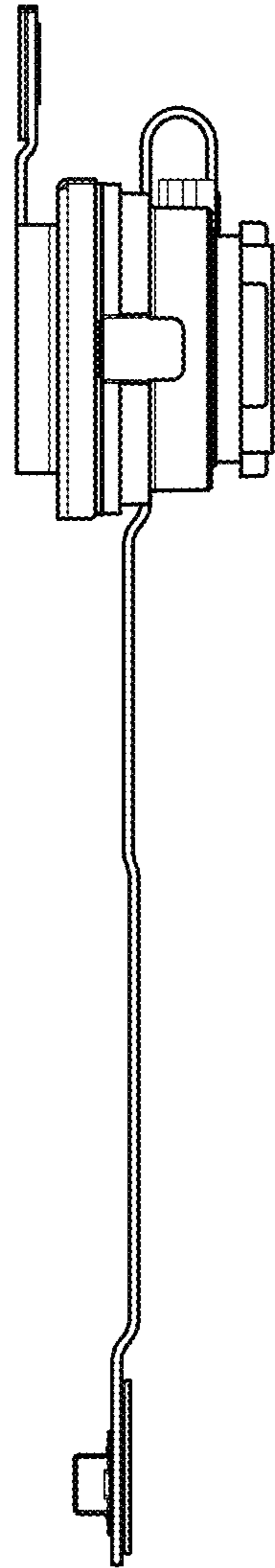


FIG.4

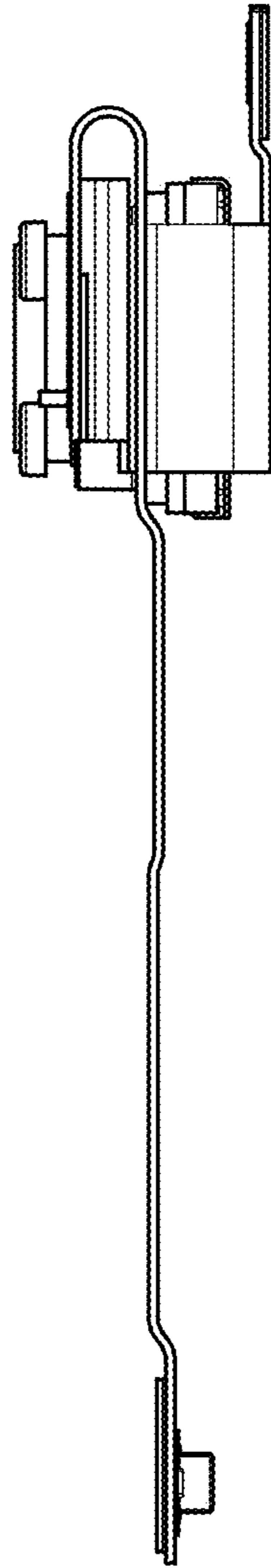


FIG.5

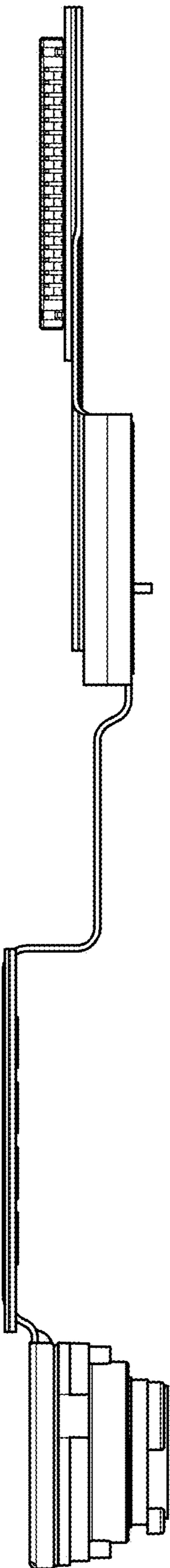


FIG. 6

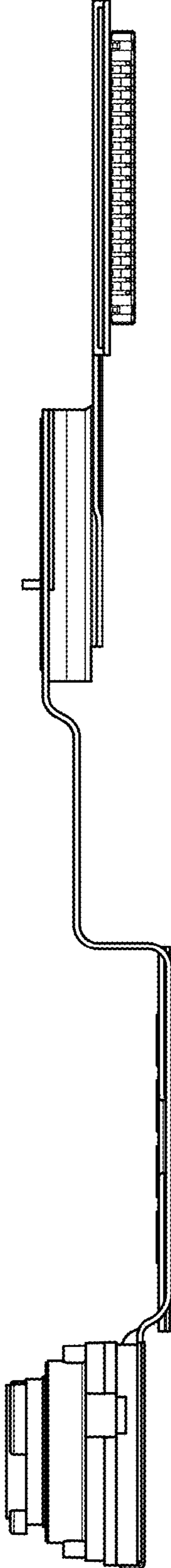


FIG. 7