



US00D748061S

(12) **United States Design Patent**  
**Chen et al.**

(10) **Patent No.:** **US D748,061 S**  
(45) **Date of Patent:** **\*\* Jan. 26, 2016**

(54) **ELECTRICAL CONNECTOR**

(71) Applicant: **GENESIS INNOVATION, INC.**, New Taipei (TW)

(72) Inventors: **Zhuo Chen**, New Taipei (TW); **Yi-Fei Luo**, New Taipei (TW)

(73) Assignee: **GENESIS INNOVATION, INC.**, New Taipei (TW)

(\*\*) Term: **14 Years**

(21) Appl. No.: **29/513,093**

(22) Filed: **Dec. 26, 2014**

(51) **LOC (10) Cl.** ..... **13-03**

(52) **U.S. Cl.**  
USPC ..... **D13/147**

(58) **Field of Classification Search**  
USPC ..... D13/146, 147, 154, 184, 199  
See application file for complete search history.

(56) **References Cited**

**U.S. PATENT DOCUMENTS**

D509,190 S \* 9/2005 Tsai ..... D13/147  
D553,090 S \* 10/2007 Lai ..... D13/147

D639,245 S \* 6/2011 Wada ..... D13/147  
D649,940 S \* 12/2011 Arai ..... D13/147  
D678,210 S \* 3/2013 Masaki ..... D13/147  
D682,216 S \* 5/2013 Sato ..... D13/147

\* cited by examiner

*Primary Examiner* — Daniel Bui

(74) *Attorney, Agent, or Firm* — Rabin & Berdo, P.C.

(57) **CLAIM**

The ornamental design for an electrical connector, as shown and described.

**DESCRIPTION**

FIG. 1 is a top perspective view of an electrical connector showing our new design;

FIG. 2 is a front elevational view thereof;

FIG. 3 is a rear elevational view thereof;

FIG. 4 is a left-side elevational view thereof;

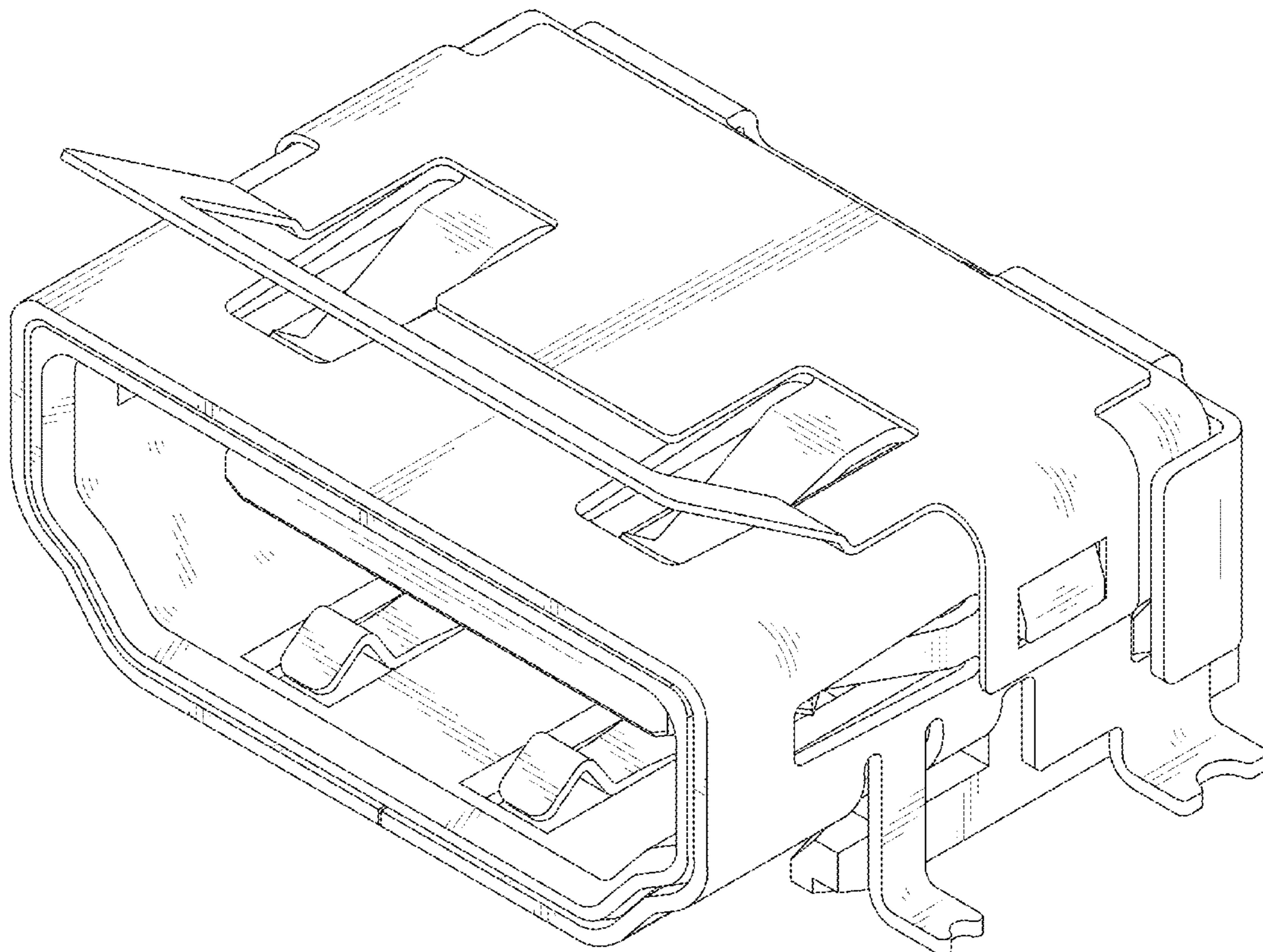
FIG. 5 is a right-side elevational view thereof;

FIG. 6 is a top plan view thereof; and,

FIG. 7 is a bottom plan view thereof.

The broken lines in the figure drawings are included for the purpose of illustrating unclaimed environment and form no part of the claimed design.

**1 Claim, 7 Drawing Sheets**



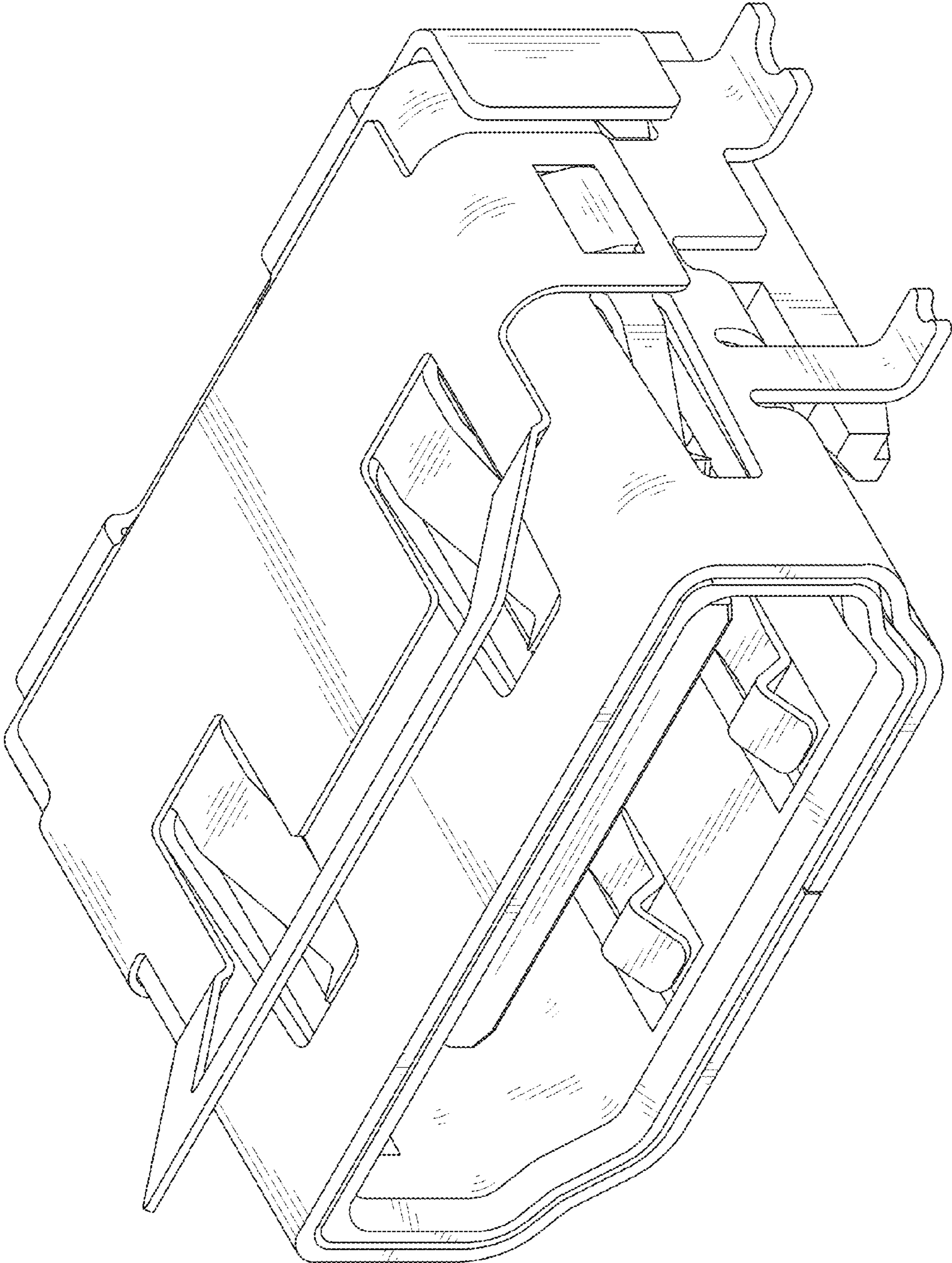


FIG. 1

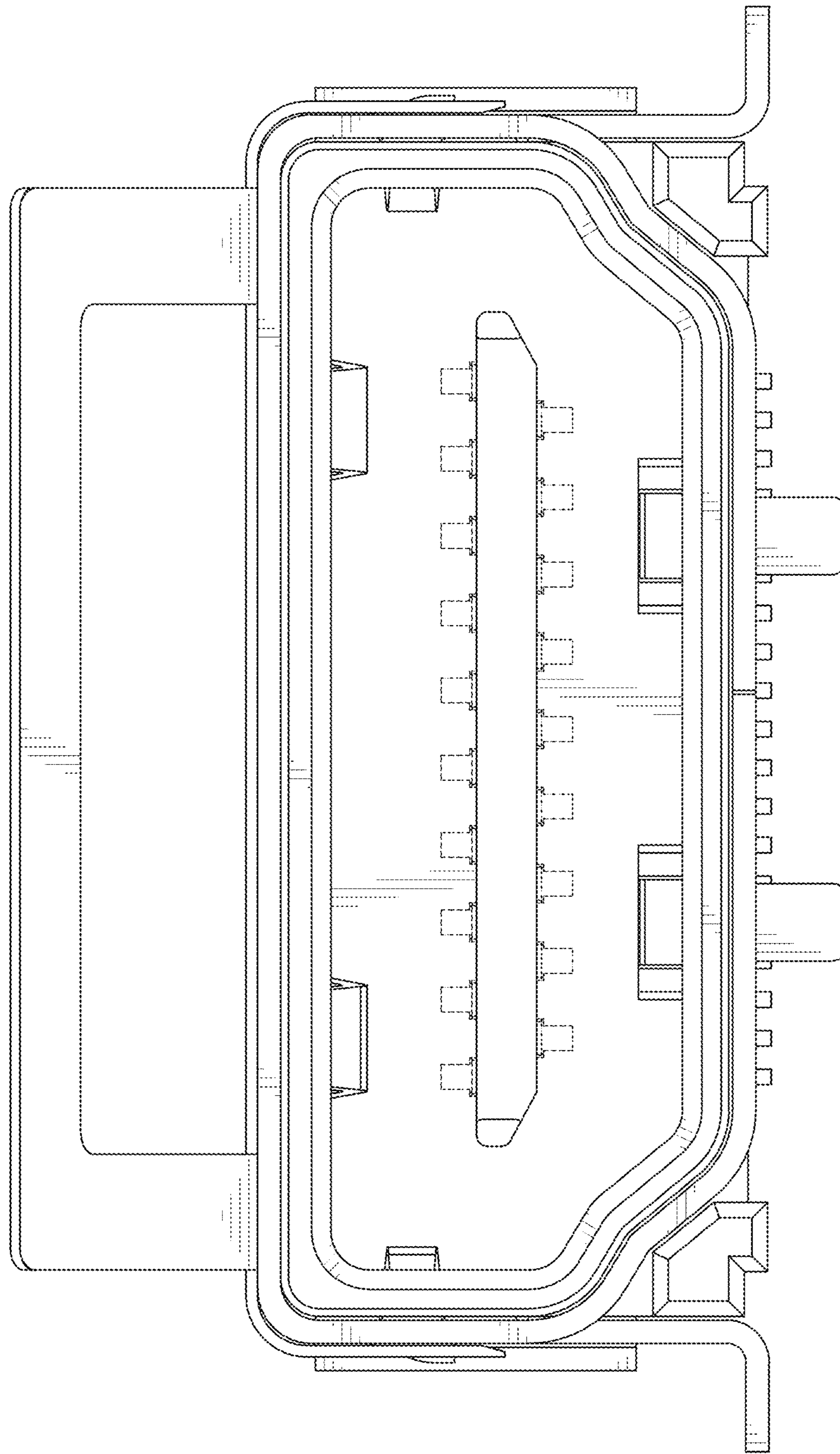


FIG. 2



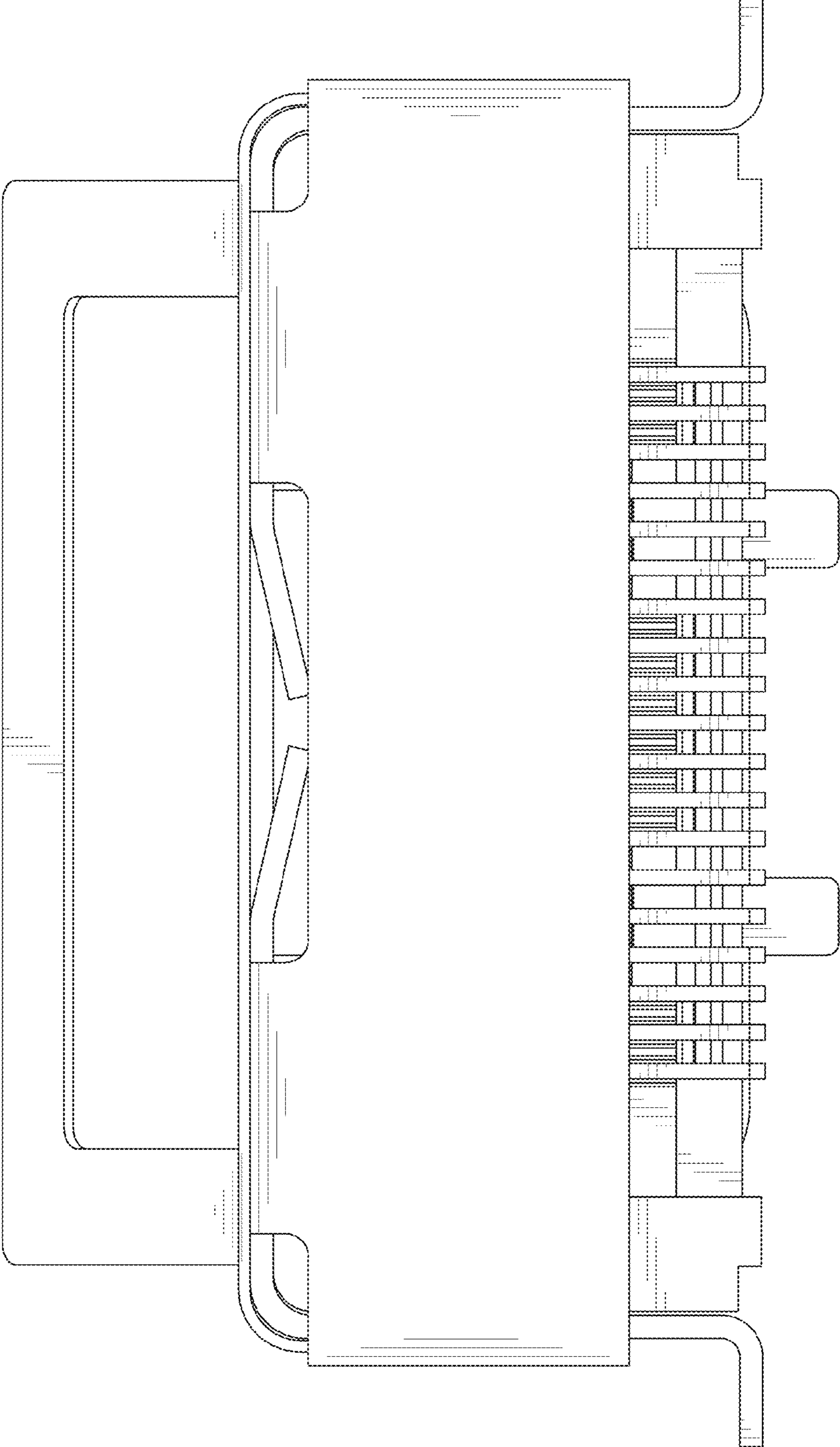


FIG. 3

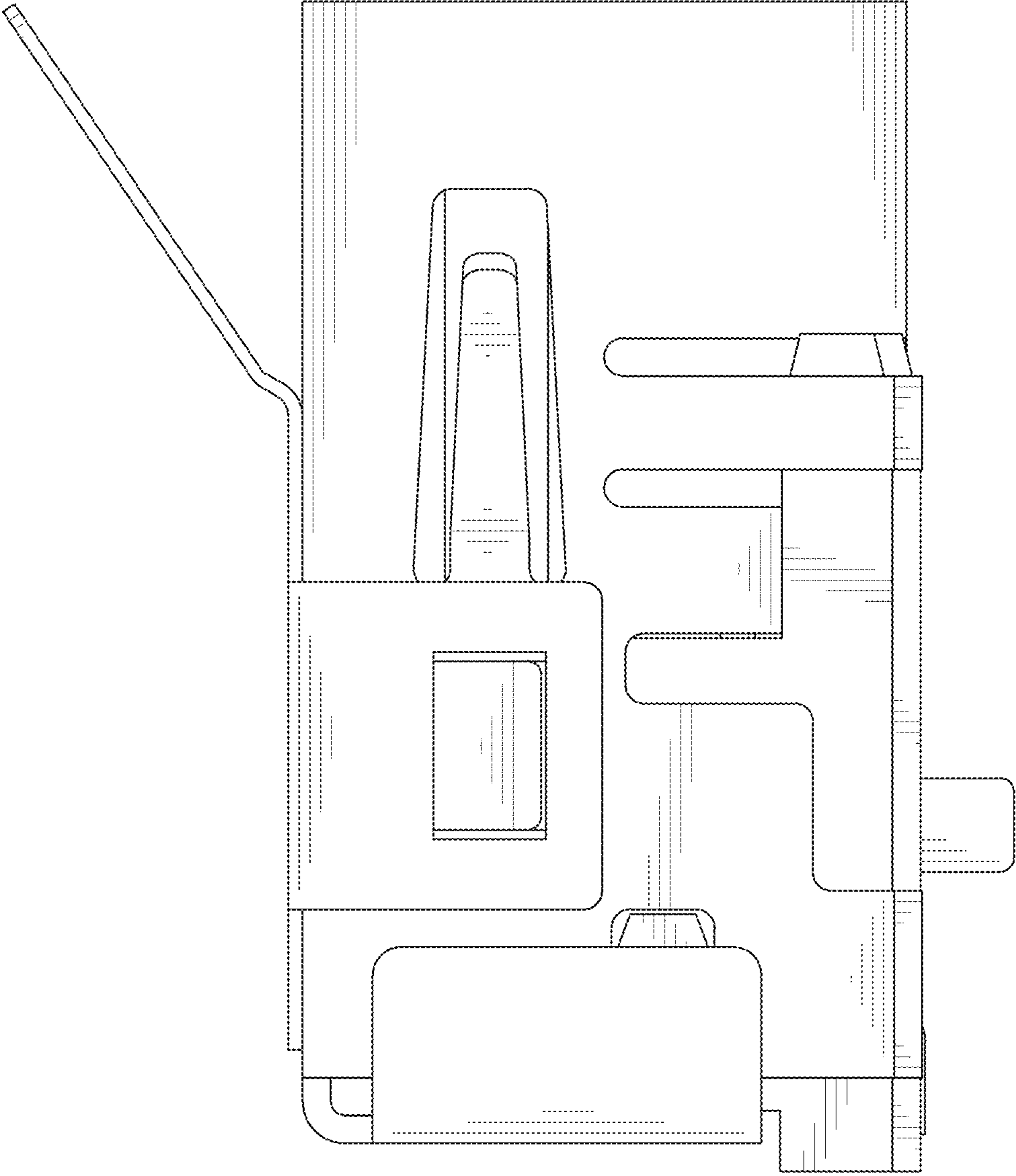


FIG. 4

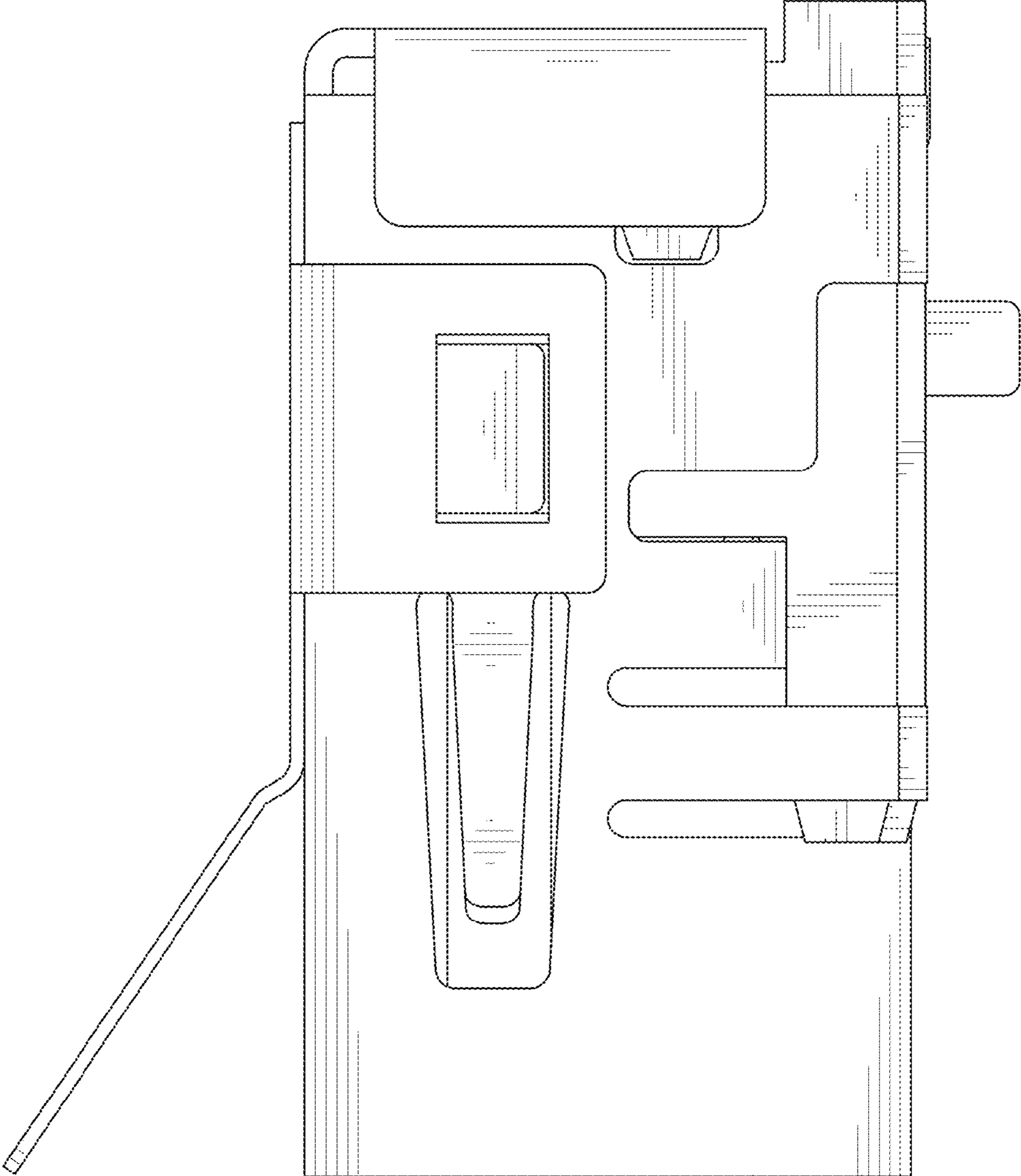


FIG. 5

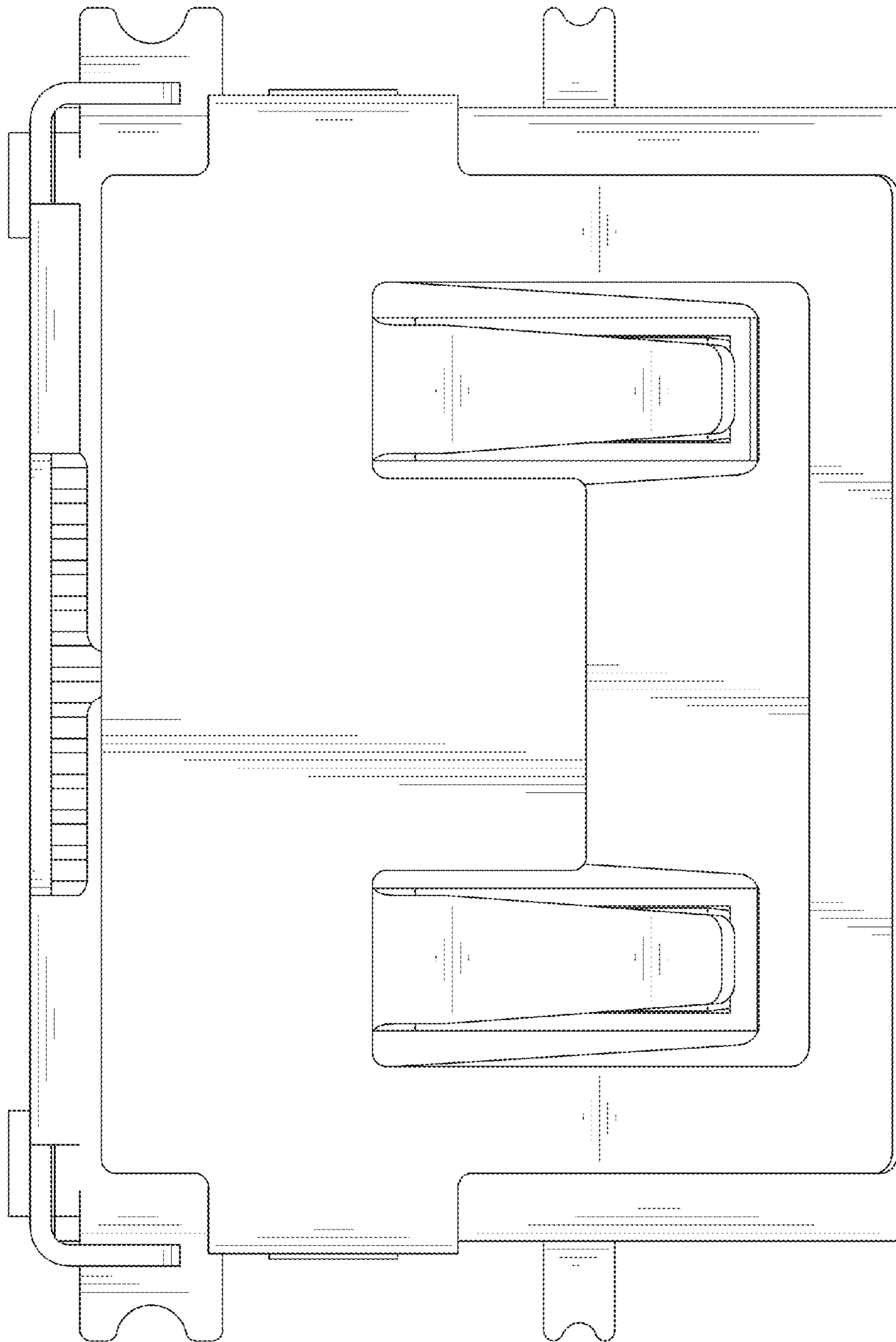


FIG. 6

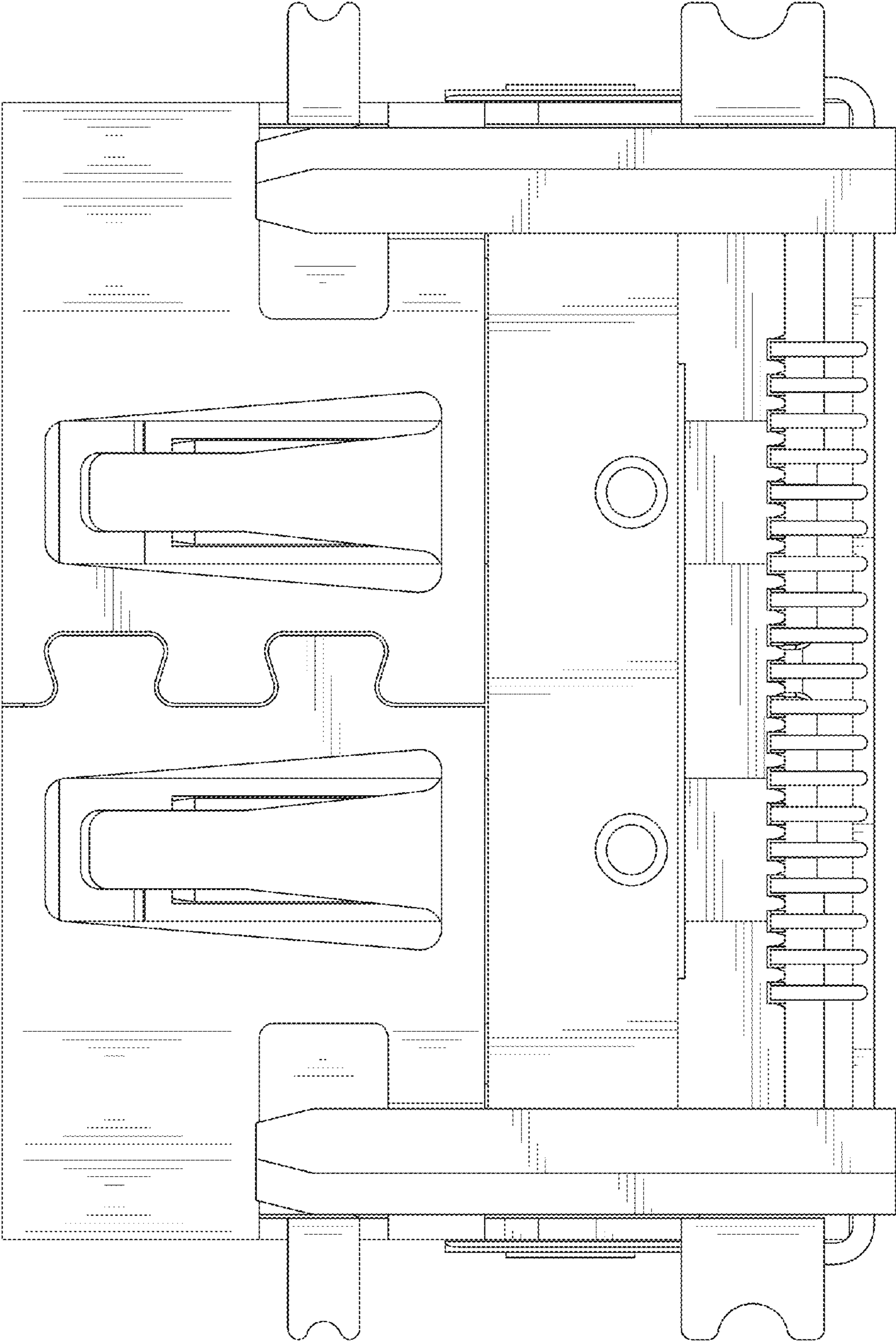


FIG. 7