



US00D748059S

(12) **United States Design Patent**
Kuhnert

(10) **Patent No.:** **US D748,059 S**
(45) **Date of Patent:** **** Jan. 26, 2016**

(54) **CONNECTOR**

(71) Applicant: **Multi-Holding AG**, Allschwil (CH)

(72) Inventor: **Thomas Kuhnert**, Essen (DE)

(73) Assignee: **Multi-Holding AG**, Allschwil (CH)

(**) Term: **15 Years**

(21) Appl. No.: **29/529,106**

(22) Filed: **Jun. 3, 2015**

Related U.S. Application Data

(62) Division of application No. 29/475,128, filed on Nov. 29, 2013, now Pat. No. Des. 735,671.

(30) **Foreign Application Priority Data**

May 30, 2013 (WO) 741 054 001

(51) **LOC (10) Cl.** **13-03**

(52) **U.S. Cl.**
USPC **D13/146**

(58) **Field of Classification Search**
USPC D13/133, 146, 147, 154, 184, 199
See application file for complete search history.

(56) **References Cited**

U.S. PATENT DOCUMENTS

D678,838 S *	3/2013	Henrink	D13/133
D692,381 S *	10/2013	Torma	D13/133
D714,724 S *	10/2014	Vogelmann	D13/133
D729,169 S *	5/2015	Corona	D13/146
D735,671 S *	8/2015	Kuhnert	D13/146

* cited by examiner

Primary Examiner — Daniel Bui

(74) *Attorney, Agent, or Firm* — Sughrue Mion, PLLC

(57) **CLAIM**

The ornamental design for a connector, as shown and described.

DESCRIPTION

FIG. 1 is a front elevation view of a connector showing my new design;

FIG. 2 is a top plan view thereof;

FIG. 3 is a rear elevation view thereof;

FIG. 4 is a bottom view thereof;

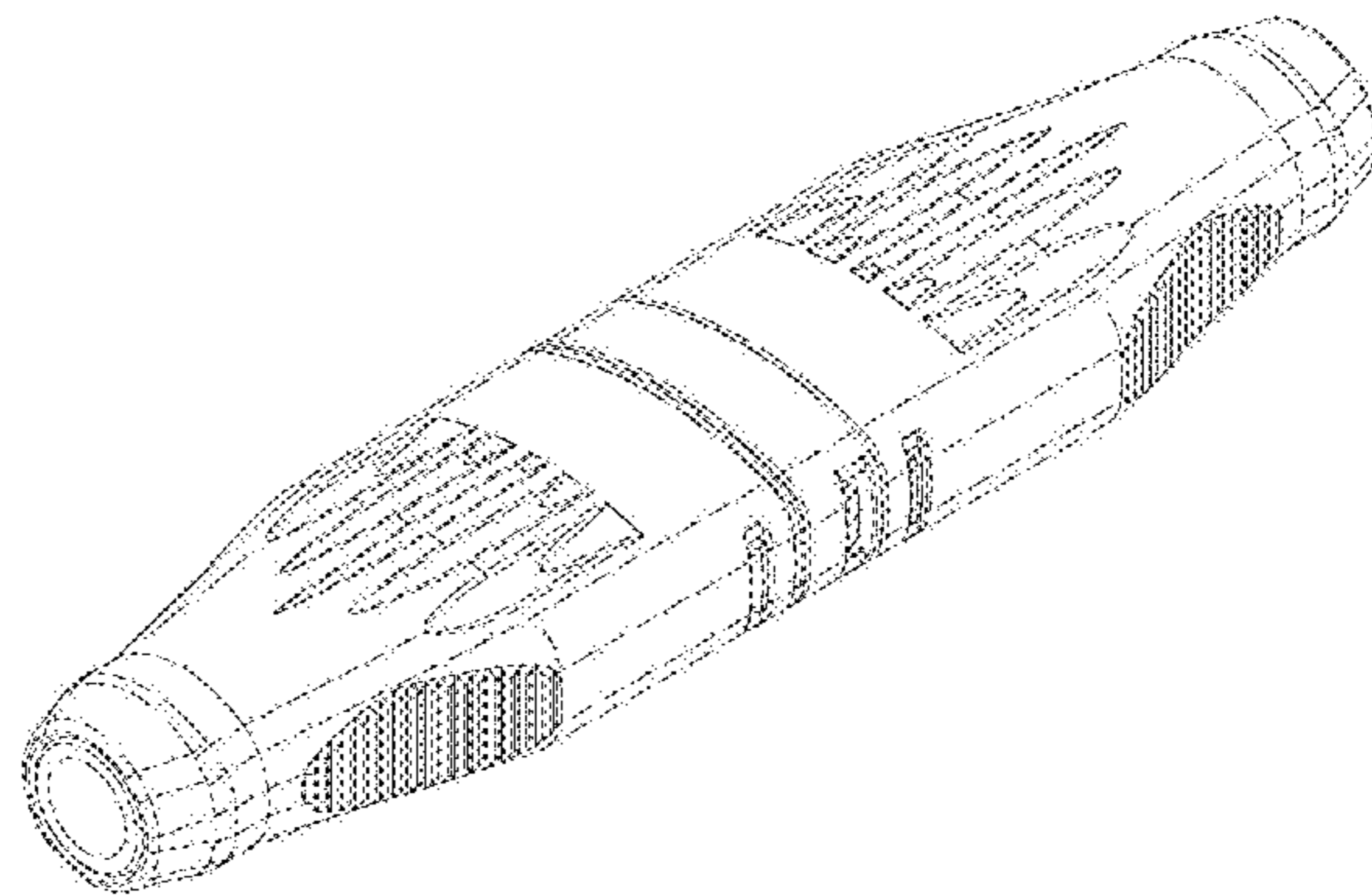
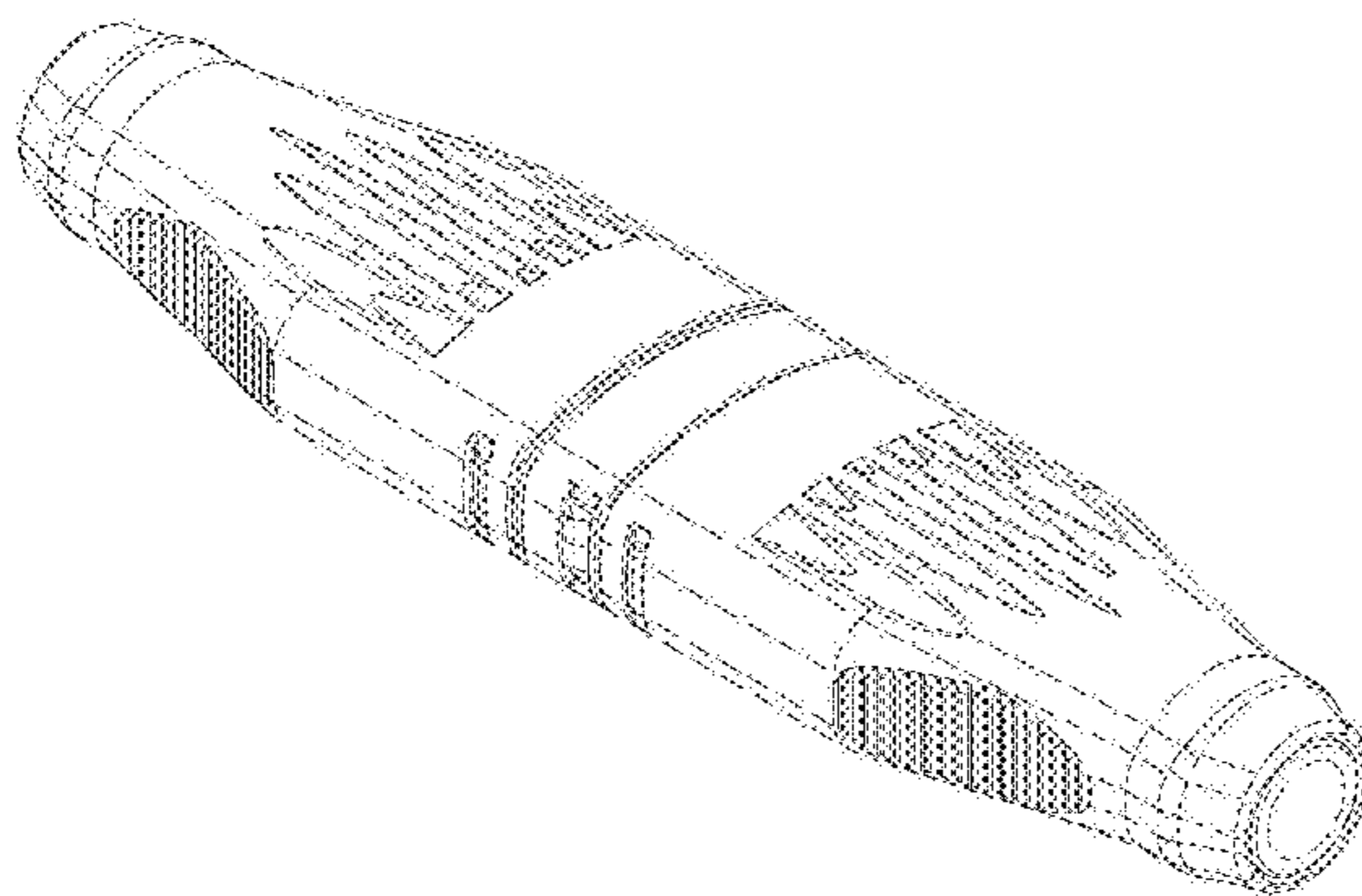
FIG. 5 is a right side view thereof;

FIG. 6 is a left side elevation view thereof;

FIG. 7 is a front, top and right side perspective view thereof; and,

FIG. 8 is a front, top and left side perspective view thereof.

1 Claim, 5 Drawing Sheets



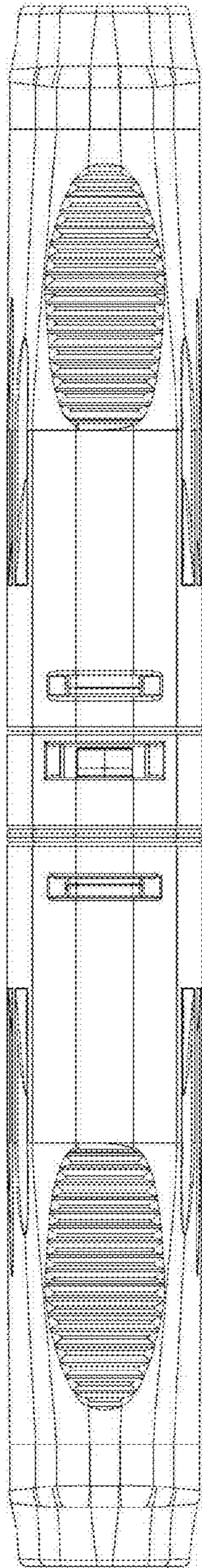


FIG. 1

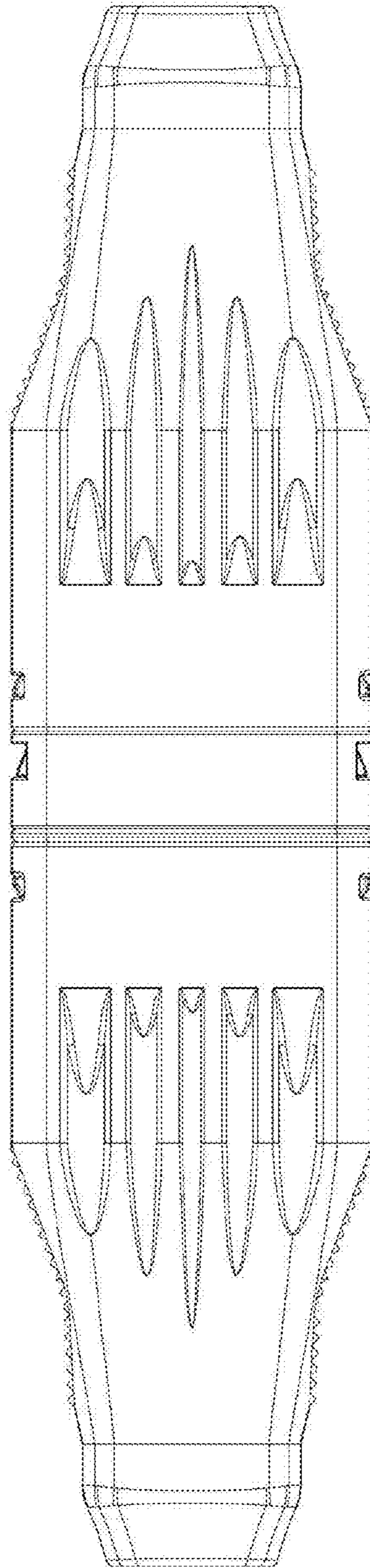


FIG. 2

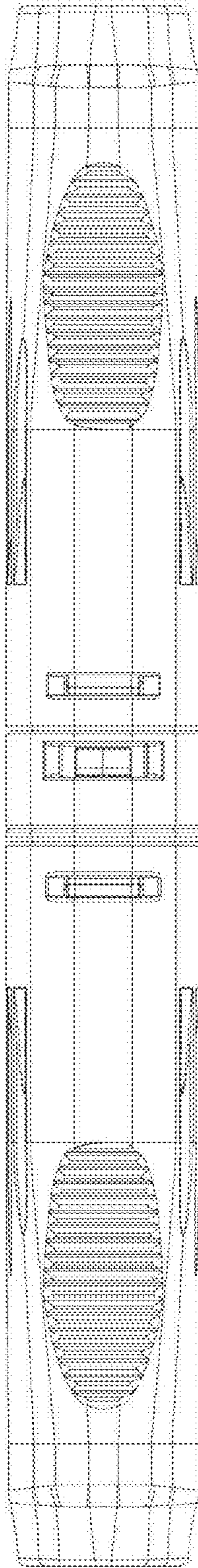


FIG. 3

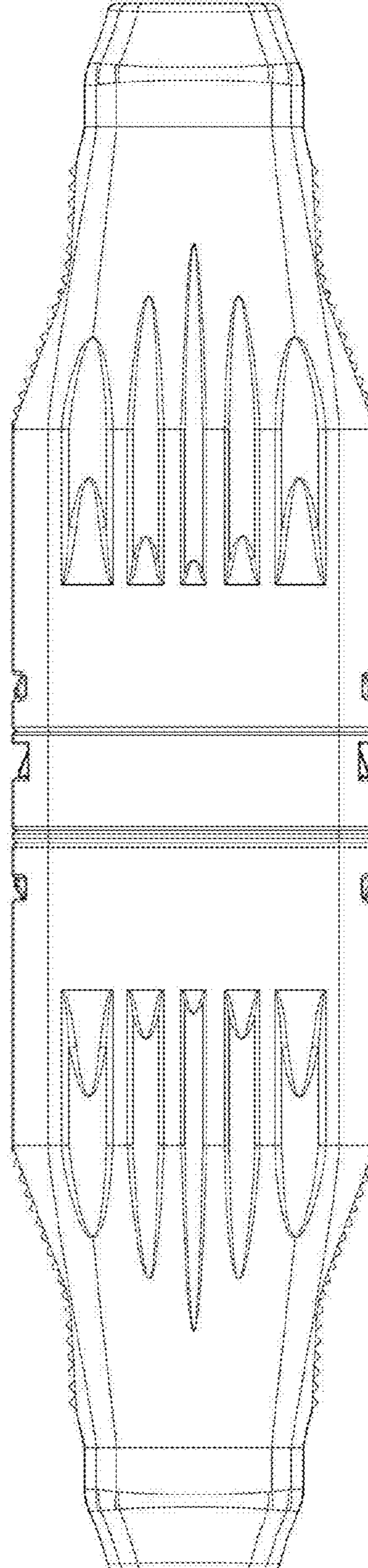


FIG. 4

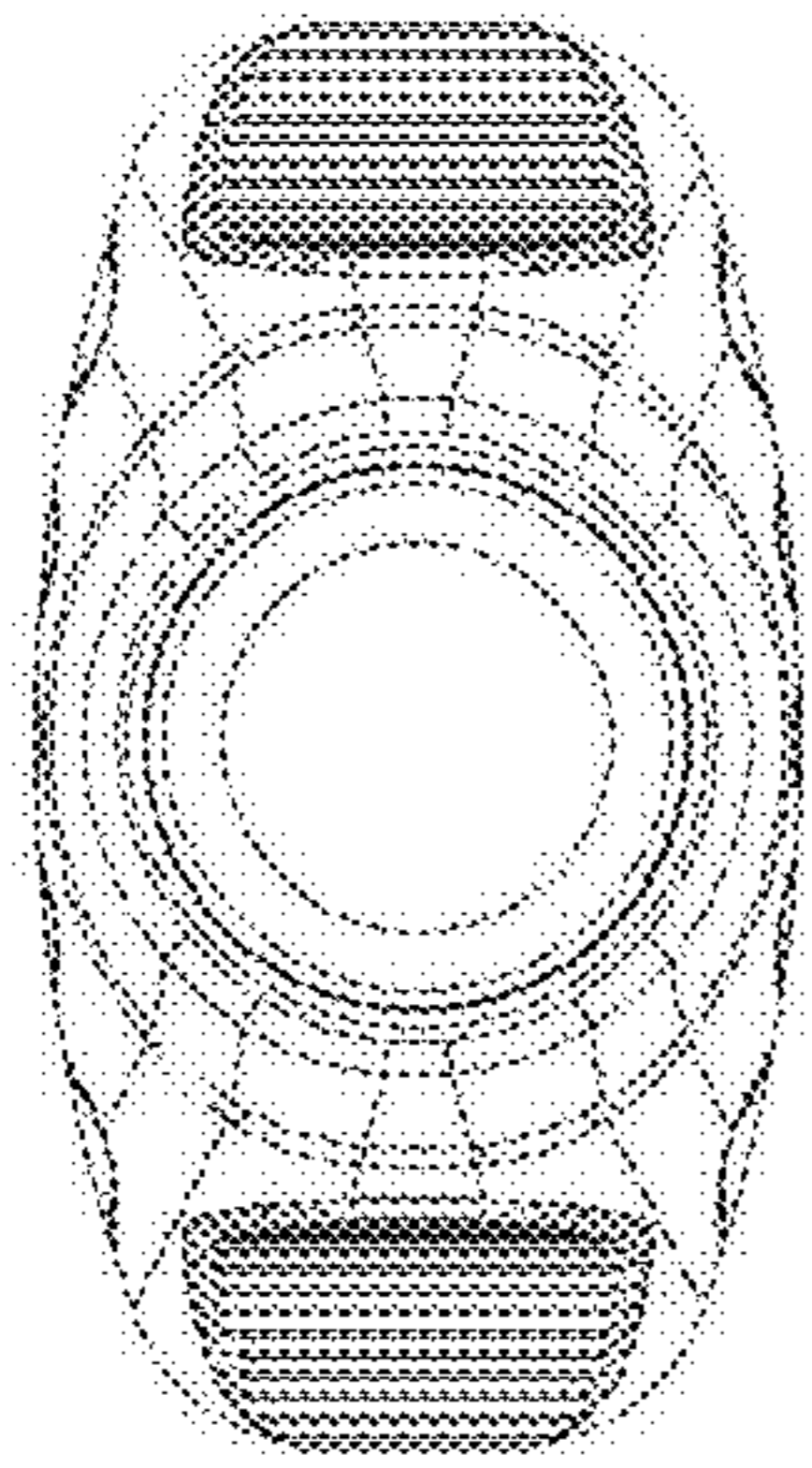


FIG. 5

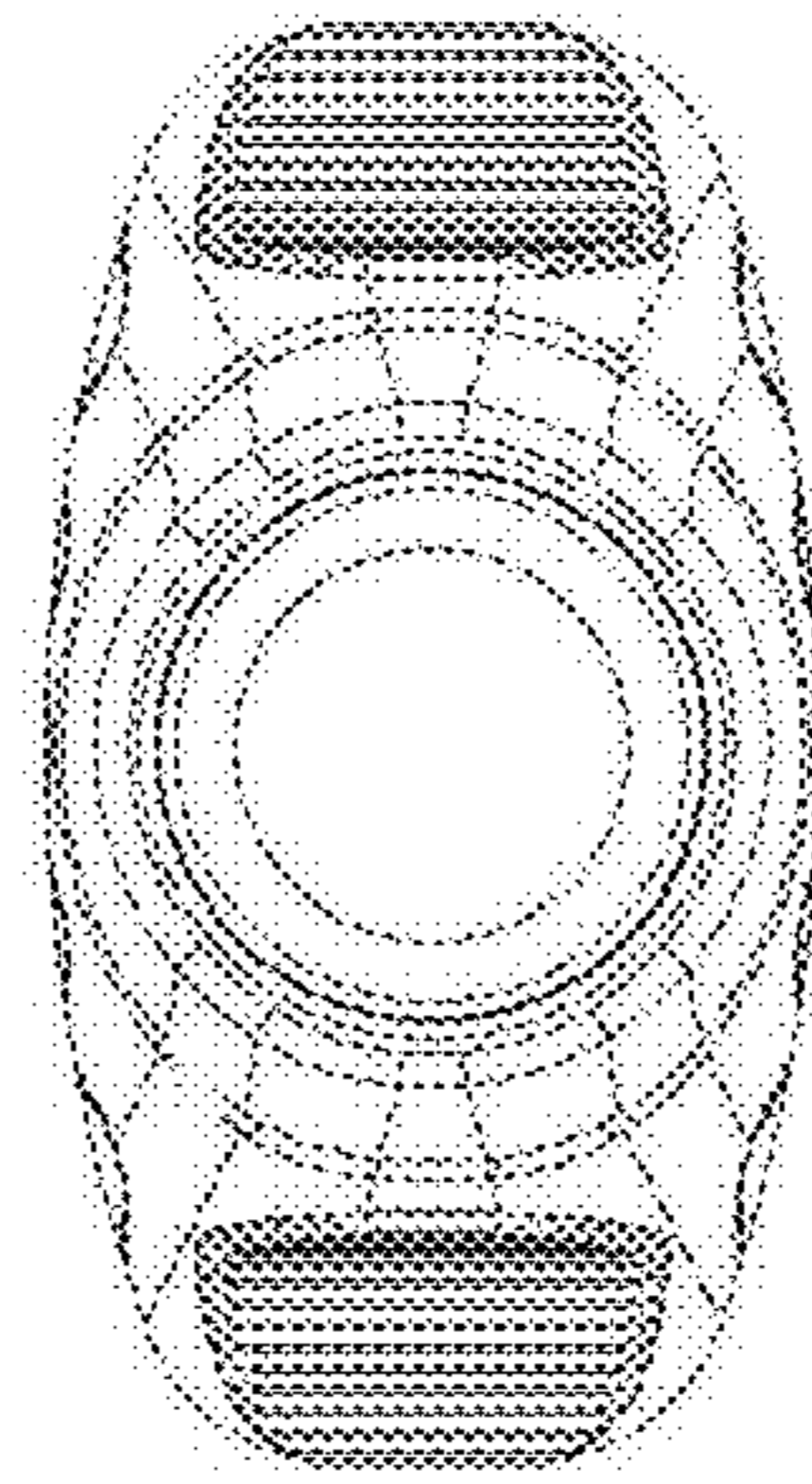


FIG. 6

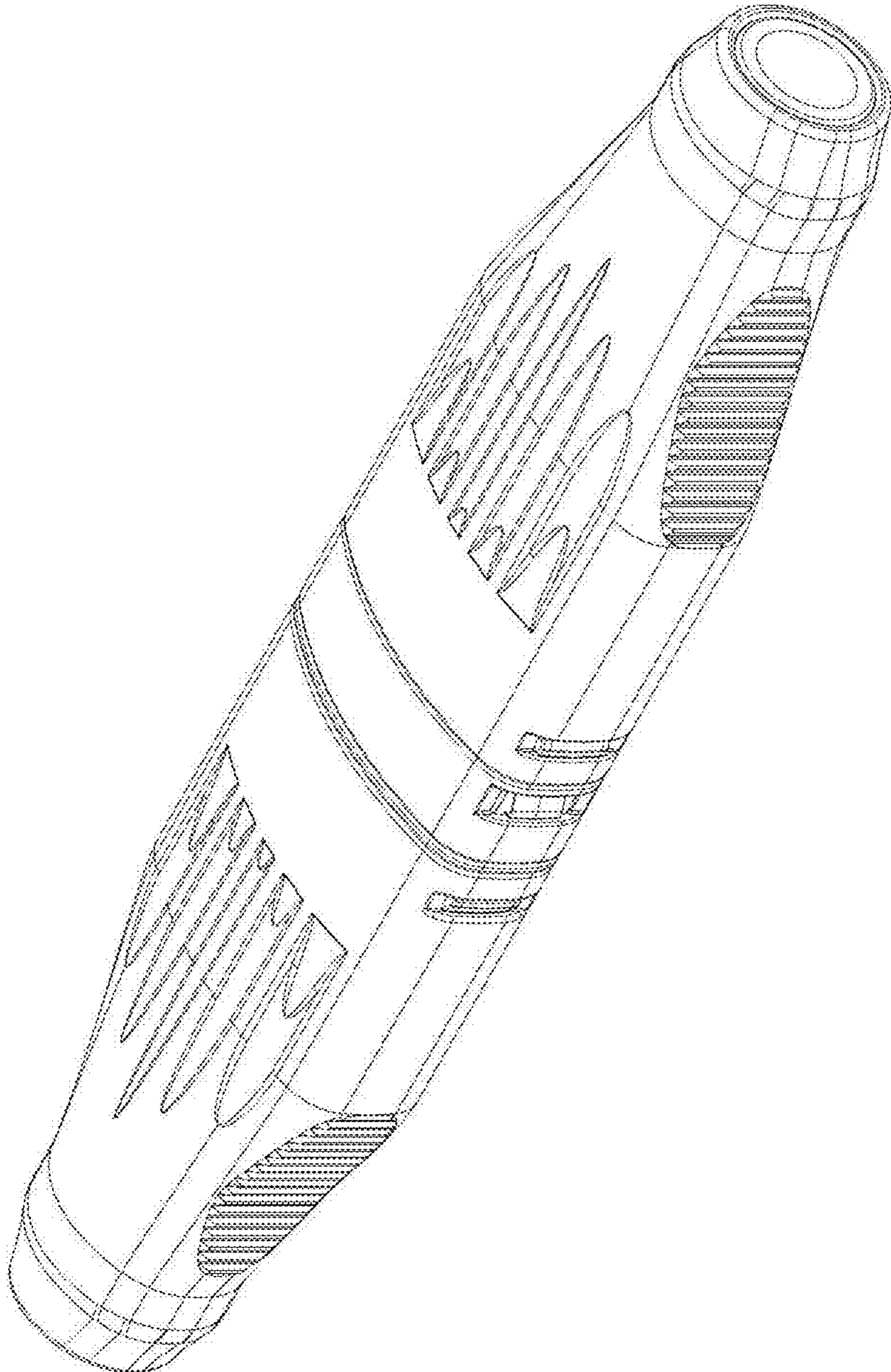


FIG. 7

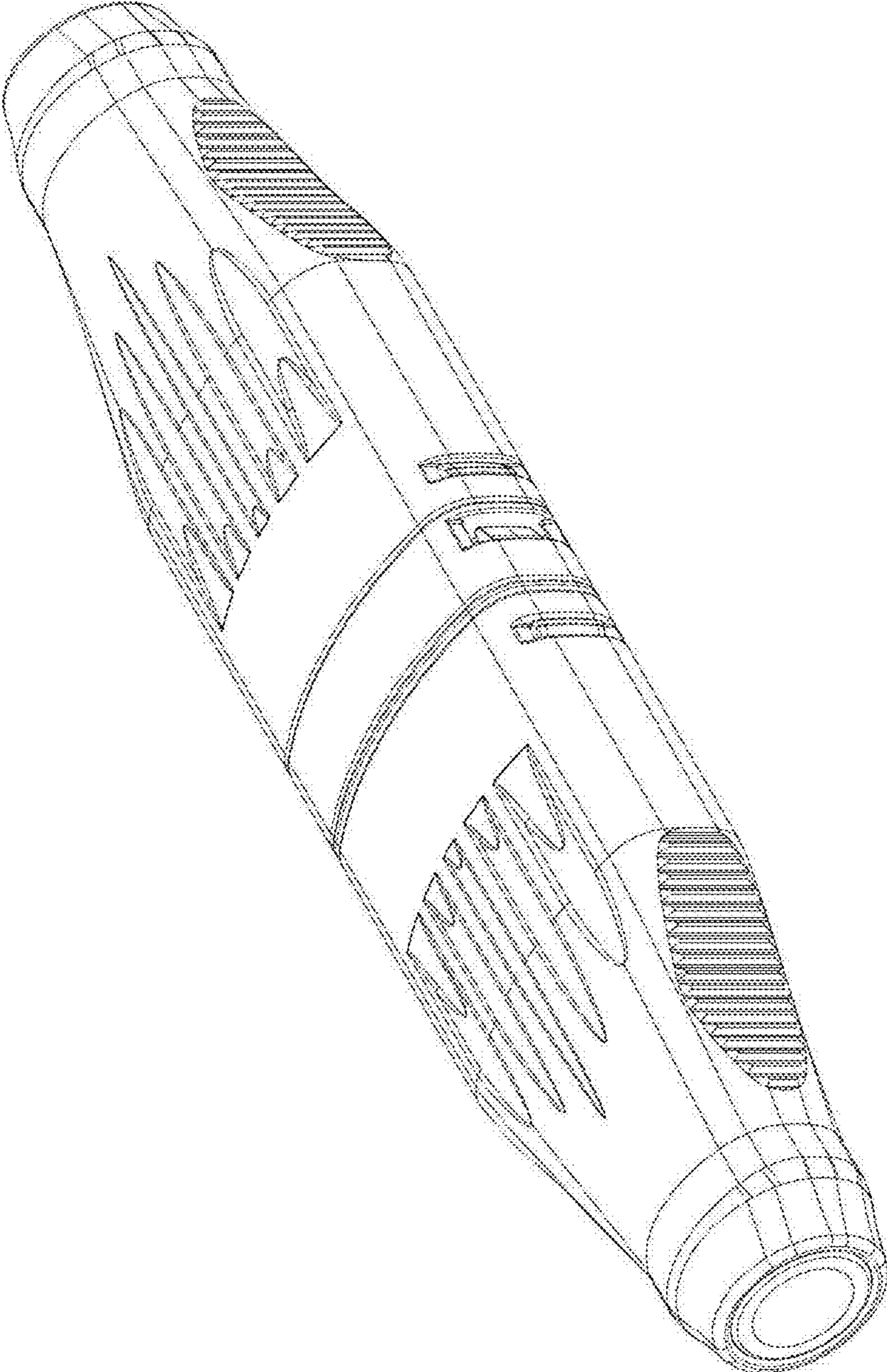


FIG. 8